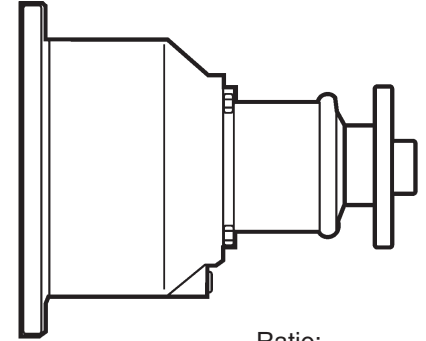


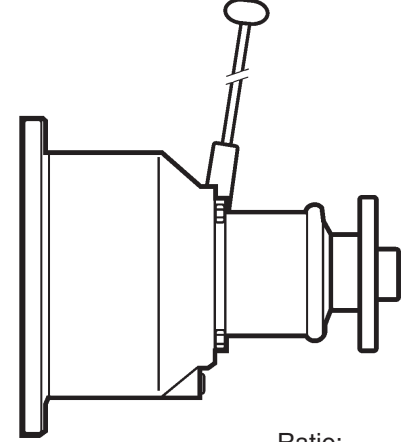
RB



Oil: Common with engine
Qty: Common with engine

Ratio: 1.87:1
3.42:1 (with additional gear)

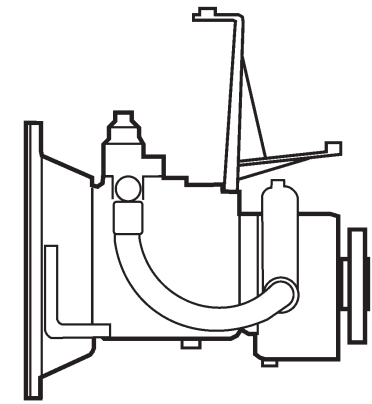
RB
Gear shift lever



Oil: Common with engine
Qty: Common with engine

Ratio: 1.87:1
3.42:1 (with additional gear)

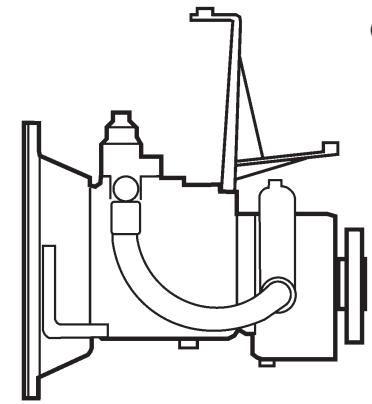
MS



Oil: Same as engine
Qty: 0.60 liters (0.63 US qts)

Ratio: 1:1
1.91:1

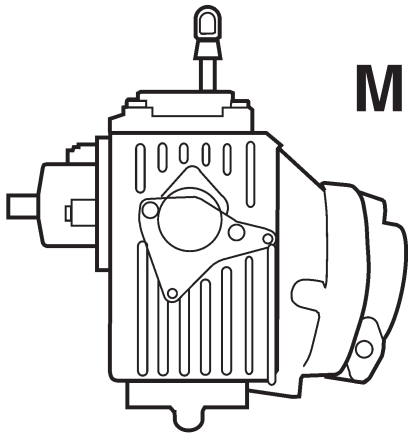
MSB
Cone with lining



Oil: Same as engine
Qty: 0.6 liters (0.63 US qts)

Ratio: 1:1
1.91:1

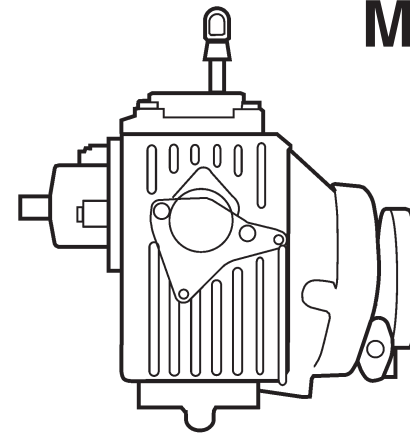
MS2
MS2B-A



Oil: Same as engine
Qty: 0.8 liters (0.85 US qts)

Ratio: 2.37:1
3.02:1

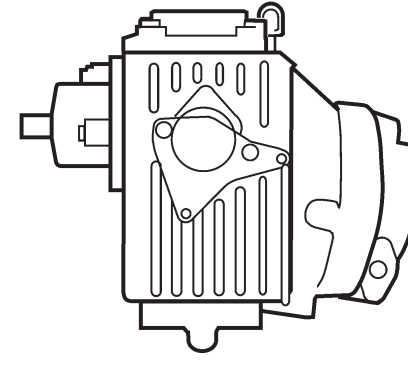
MS2B-L



Oil: Same as engine
Qty: 0.8 liters (0.85 US qts)

Ratio: 2.30:1

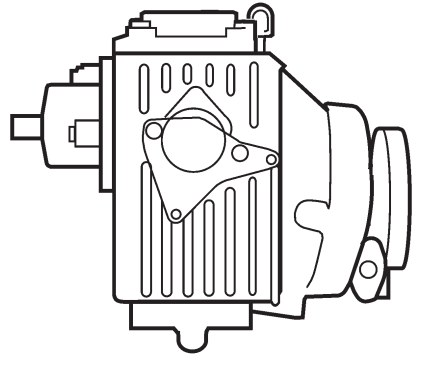
MS2A-D



Oil: Same as engine
Qty: 0.8 liters (0.85 US qts)

Ratio: 2.40:1
3.00:1

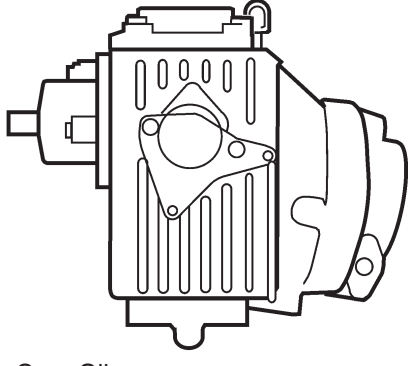
MS2L-D



Oil: Same as engine
Qty: 0.8 liters (0.85 US qts)

Ratio: 2.30:1

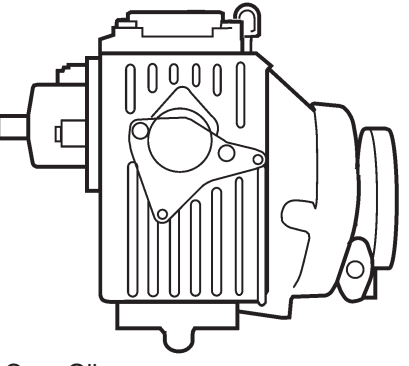
MS2A-E
Shot blasted gear wheels



Oil: Synthetic Gear Oil
API GL-5, SAE 75W/90
Qty: 0.8 liters (0.85 US qts)

Ratio: 2.40:1
3.00:1

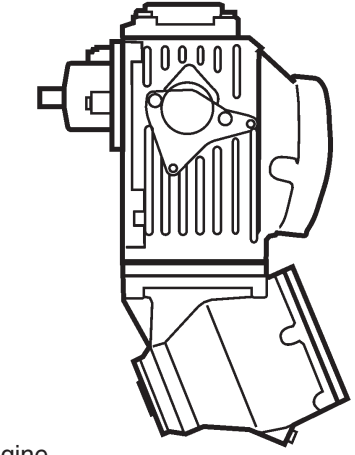
MS2L-E
Shot blasted gear wheels



Oil: Synthetic Gear Oil
API GL-5, SAE 75W/90
Qty: 0.8 liters (0.85 US qts)

Ratio: 2.30:1

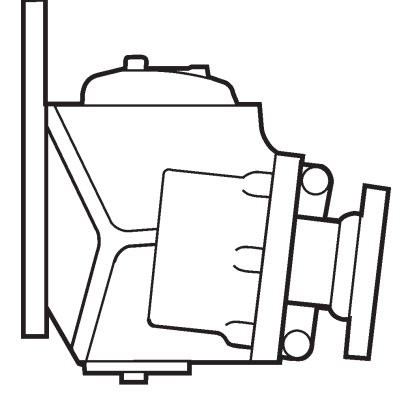
MS2V
V-drive



Oil: Same as engine
Qty: 1.8 liters (1.90 US qts)

Ratio: 2.40:1
3.00:1

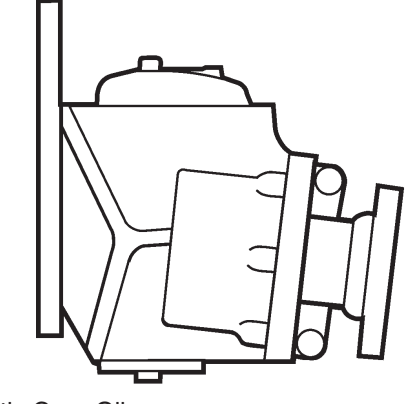
MS3
MS3B
MS3C



Oil: Same as engine
Qty: 1.6 liters (1.69 US qts)

Ratio: 1.54:1
1.93:1
MS3C, 2.73:1
2.91:1

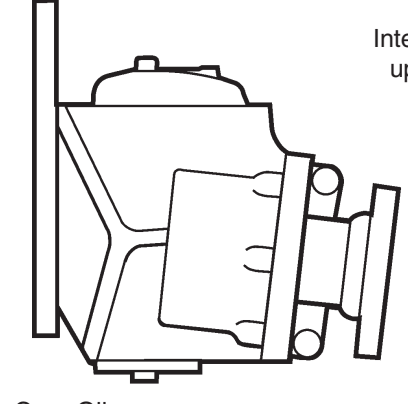
MS4A



Oil: Synthetic Gear Oil
API GL-5, SAE 75W/90
Qty: 1.7 liters (1.79 US qts)

Ratio: 1.54:1
1.94:1
2.63:1

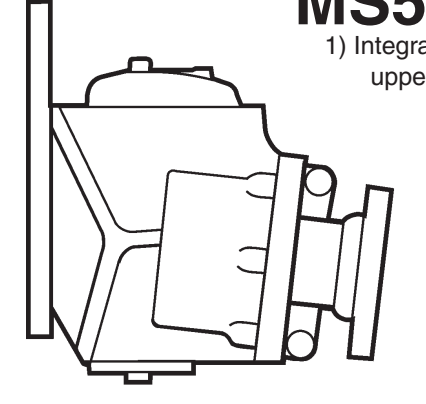
MS4B
Integrated bearing, upper gear wheel



Oil: Synthetic Gear Oil
API GL-5, SAE 75W/90
Qty: 1.7 liters (1.79 US qts)

Ratio: 1.54:1
1.94:1
2.63:1

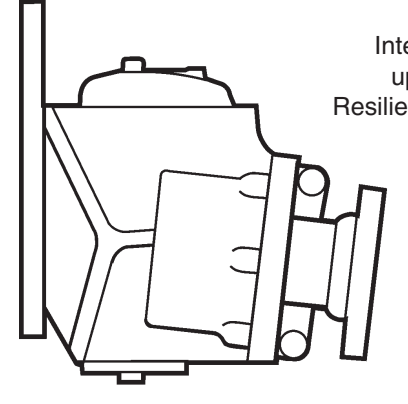
MS5A/B¹
1) Integrated bearing, upper gear wheel



Oil: Synthetic Gear Oil
API GL-5, SAE 75W/90
Qty: 1.7 liters (1.79 US qts)

Ratio: 1.55:1
1.94:1
2.40:1

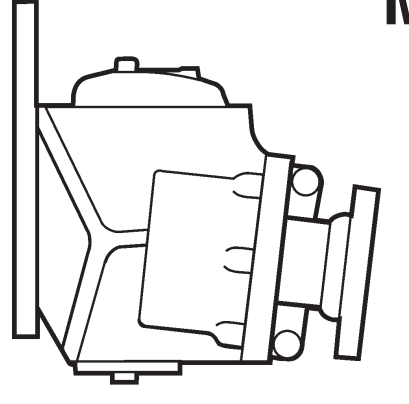
MS5C
Integrated bearing, upper gear wheel
Resilient sliding sleeve



Oil: Synthetic Gear Oil
API GL-5, SAE 75W/90
Qty: 1.7 liters (1.79 US qts)

Ratio: 1.94:1
2.40:1

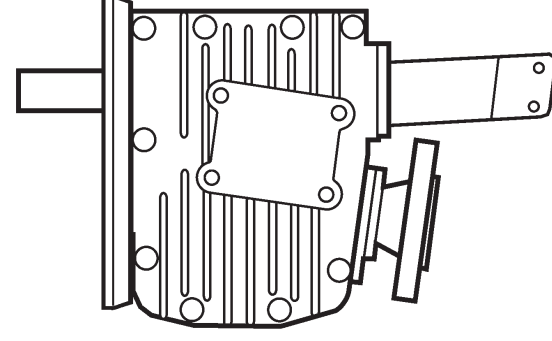
MS4/5
Spare part unit



Oil: Synthetic Gear Oil
API GL-5, SAE 75W/90
Qty: 1.7 liters (1.79 US qts)

Ratio: 1.55:1
1.94:1
2.40:1
2.63:1

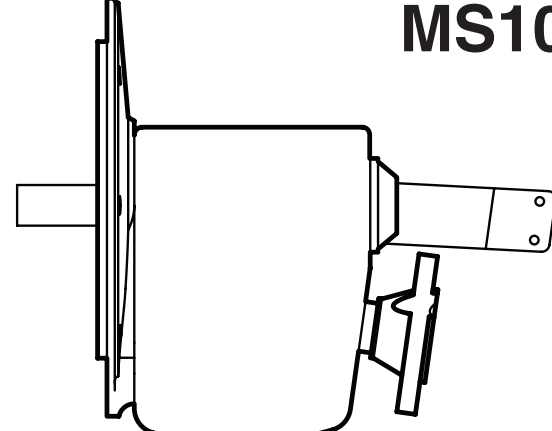
MS10A



Oil: Automatic Transmission Fluid (ATF) Dexron II/III
Qty: 0.4 liters (0.42 US qts)

Ratio: 2.35:1
2.72:1

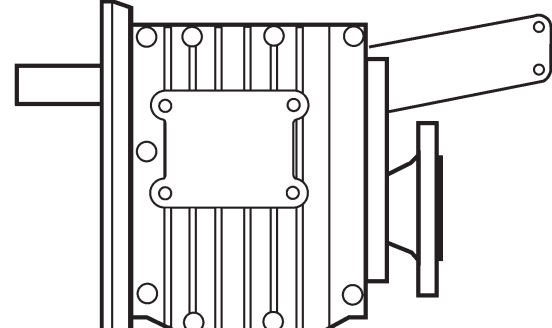
MS10A-B



Oil: Automatic Transmission Fluid (ATF) Dexron II/III
Qty: 0.4 liters (0.42 US qts)

Ratio: 2.35:1
2.72:1

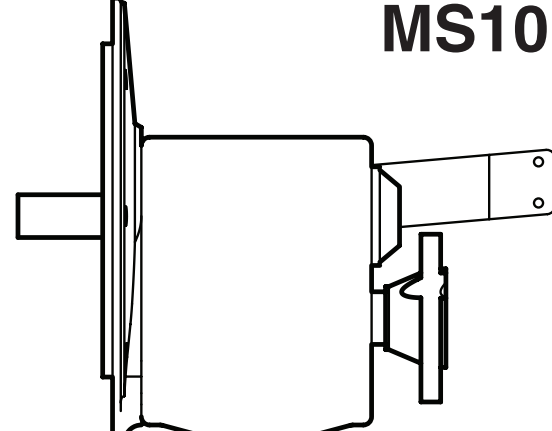
MS10L



Oil: Automatic Transmission Fluid (ATF) Dexron II/III
Qty: 0.42 liters (0.44 US qts)

Ratio: 2.35:1
2.72:1

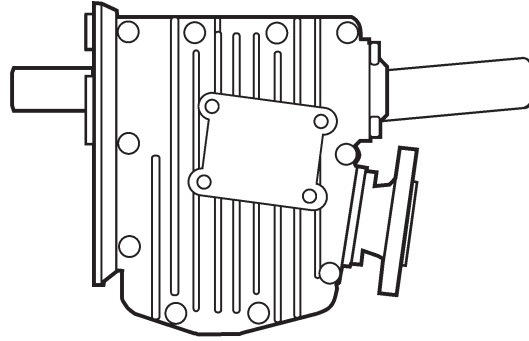
MS10L-B



Oil: Automatic Transmission Fluid (ATF) Dexron II/III
Qty: 0.42 liters (0.44 US qts)

Ratio: 2.35:1
2.72:1

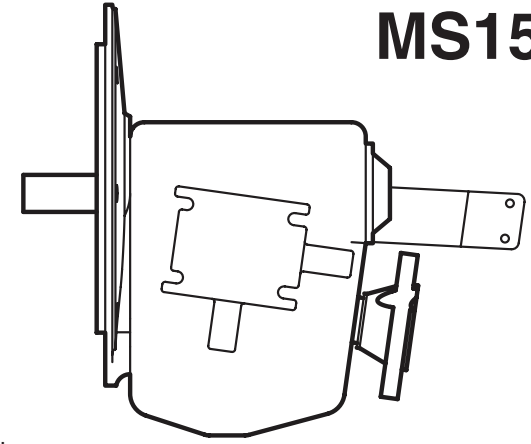
MS15A



Oil: Automatic Transmission Fluid (ATF) Dexron II/III
Qty: 0.56 liters (0.59 US qts)

Ratio: 2.14:1
2.63:1

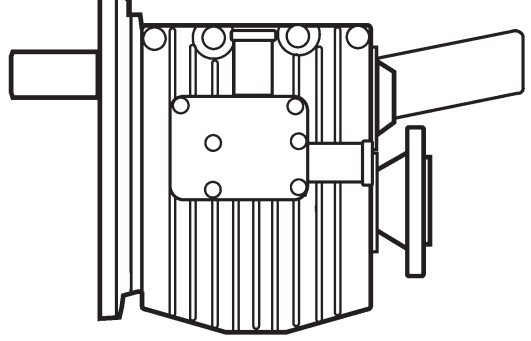
MS15A-B



Oil: Automatic Transmission Fluid (ATF) Dexron II/III
Qty: 0.56 liters (0.59 US qts)

Ratio: 2.14:1
2.63:1

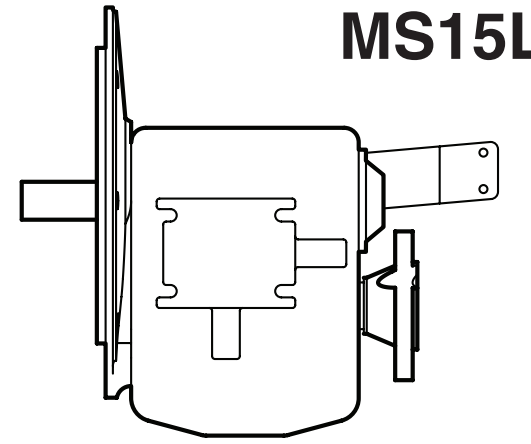
MS15L



Oil: Automatic Transmission Fluid (ATF) Dexron II/III
Qty: 0.6 liters (0.63 US qts)

Ratio: 2.14:1
2.63:1

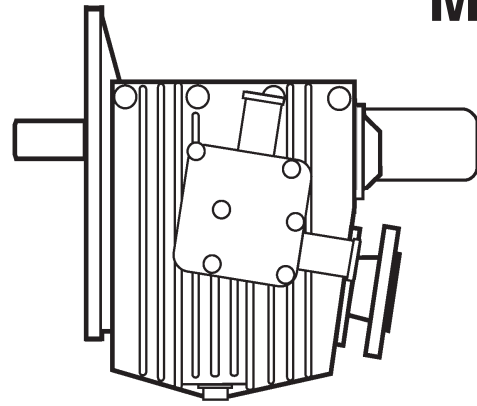
MS15L-B



Oil: Automatic Transmission Fluid (ATF) Dexron II/III
Qty: 0.6 liters (0.63 US qts)

Ratio: 2.14:1
2.63:1

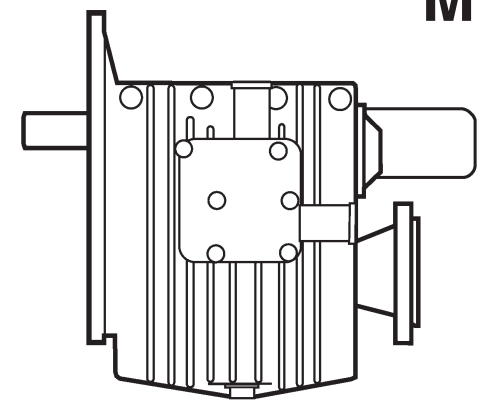
MS25A



Oil: Automatic Transmission Fluid (ATF) Dexron II/III
Qty: 0.75 liters (0.79 US qts)

Ratio: 2.23:1
2.74:1

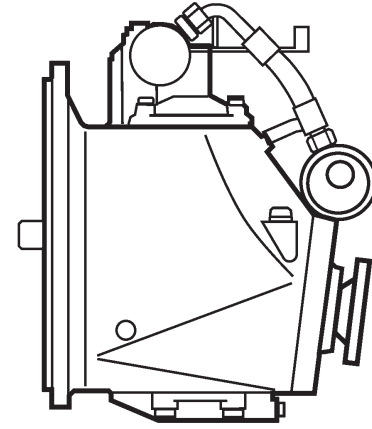
MS25L



Oil: Automatic Transmission Fluid (ATF) Dexron II/III
Qty: 0.75 liters (0.79 US qts)

Ratio: 2.27:1
2.74:1

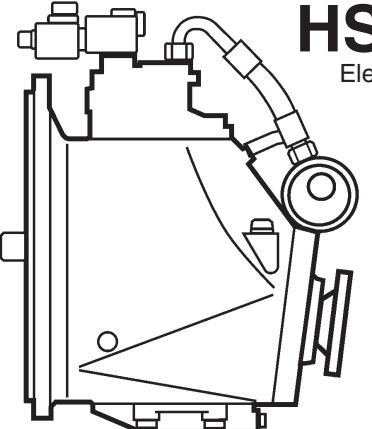
HS1
HS1A



Oil: Same as engine
Qty: 3.0 liters (3.17 US qts)

Ratio: 1.96:1
2.62:1

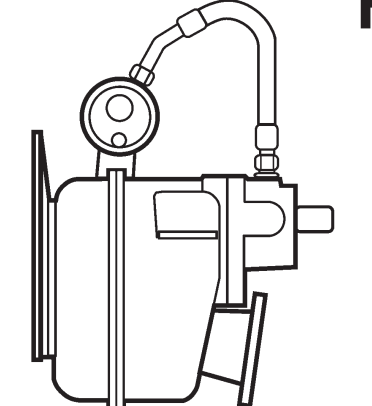
HS1E-A
Electric gear shift



Oil: Same as engine
Qty: 3.0 liters (3.17 US qts)

Ratio: 1.96:1
2.62:1

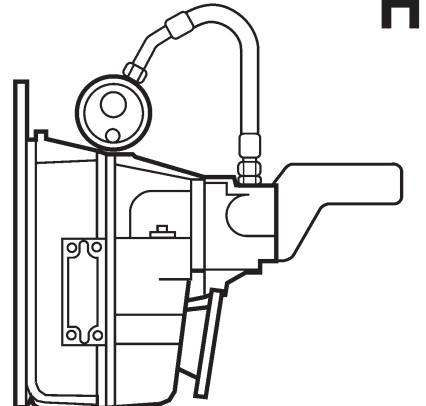
HS25A



Oil: Automatic Transmission Fluid (ATF) Dexron II/III
Qty: 1.8 liters (1.90 US qts)

Ratio: 2.29:1
2.71:1

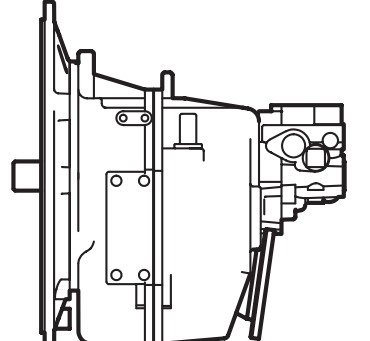
HS45A



Oil: Automatic Transmission Fluid (ATF) Dexron II/III
Qty: 2.5 liters (2.64 US qts)

Ratio: 1.51:1
2.03:1
2.43:1

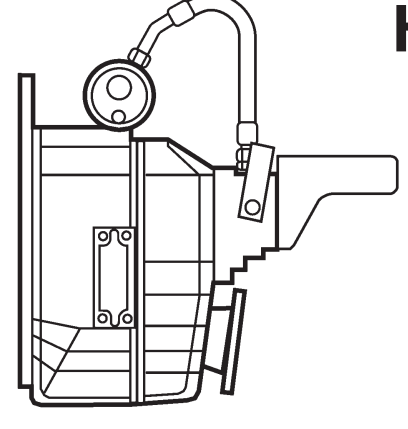
HS45AE/-B²
2) For Lowspeed



Oil: Automatic Transmission Fluid (ATF) Dexron II/III
Qty: 2.5 liters (2.64 US qts)

Ratio: 1.51:1
2.03:1
2.43:1

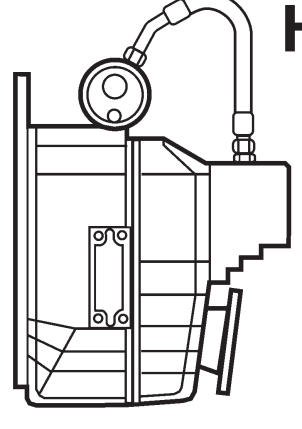
HS63A



Oil: Automatic Transmission Fluid (ATF) Dexron II/III
Qty: 3.8 liters (4.02 US qts)

Ratio: 1.56:1
2.04:1
2.52:1

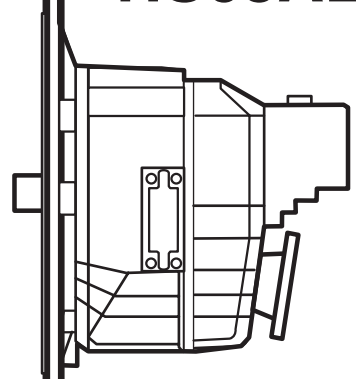
HS63AE
Electric gear shift



Oil: Automatic Transmission Fluid (ATF) Dexron II/III
Qty: 3.8 liters (4.02 US qts)

Ratio: 1.56:1
2.04:1
2.52:1

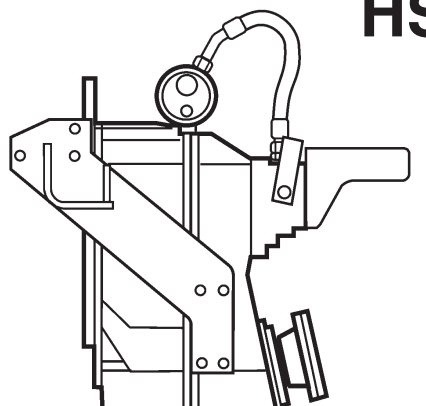
HS63AE-B/-C³
Electric gear shift
3) For Lowspeed



Oil: Automatic Transmission Fluid (ATF) Dexron II/III
Qty: 3.8 liters (4.02 US qts)

Ratio: 1.56:1
2.00:1
2.52:1

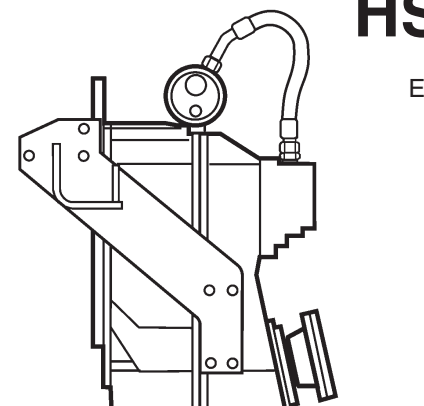
HS63V
V-drive



Oil: Automatic Transmission Fluid (ATF) Dexron II/III
Qty: 4.3 liters (4.54 US qts)

Ratio: 1.56:1
1.99:1
2.48:1

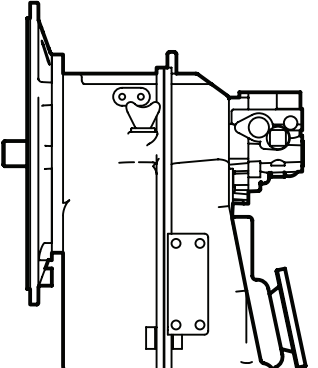
HS63VE
V-drive
Electric gear shift



Oil: Automatic Transmission Fluid (ATF) Dexron II/III
Qty: 4.3 liters (4.54 US qts)

Ratio: 1.56:1
1.99:1
2.48:1

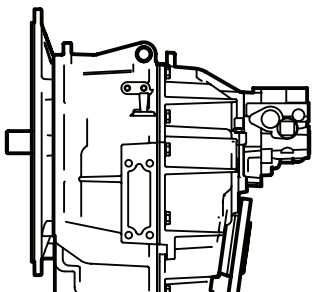
HS63IVE-A/-B⁴
4) For Lowspeed



Oil: Automatic Transmission Fluid (ATF) Dexron II/III
Qty: 3.8 liters (4.02 US qts)

Ratio: 1.56:1
1.99:1
2.48:1

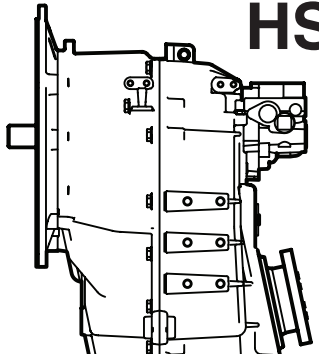
HS80AE-A/-B⁵
HS85AE-A⁵
5) For Lowspeed



Oil: Automatic Transmission Fluid (ATF) Dexron II/III
Qty: 5 liters (5.28 US qts), 4) 5.5 liters (5.81 US qts)

Ratio: 1.57:1
1.96:1
2.50:1

HS80IVE-A/-B⁶
HS85IVE-A⁶
6) For Lowspeed



Oil: Automatic Transmission Fluid (ATF) Dexron II/III
Qty: 7 liters (7.4 US qts)

Ratio: 1.64:1
2.01:1
2.49:1

Oil specifications

Type of oil	Grade	Viscosity	Quantity	Part no.	Quantity US	Part no. US
Synthetic Gear Oil	API GL-5	SAE 75W-90	1 liter	1141634-4	1 US qt	3851128-3
Synthetic Gear Oil	API GL-5	SAE 75W-90	5 liter	1141635-1	1 US gal	3851129-1
Synthetic Gear Oil	API GL-5	SAE 75W-90	20 liter	1141636-9	5 US gal	3851133-3
ATF-Oil	Dexron II		5 liter	1161941-8	1.3 US gal	1161941-8
ATF-Oil	Dexron III		5 liter	1161995-4	1.3 US gal	1161995-4

NOTE! Never mix oil qualities when topping up.