

nannidiesel



Spare parts catalogue

Catalogue de pièces détachées

Ersatzteilkatalog

Catálogo de piezas de repuesto

Catalogo parti di ricambio

2.60 H

We reserve the right to carry out at any time whatsoever, without notice and without the obligation to up-date this booklet, any modifications to parts or supplies of accessories as may be deemed necessary for technical or commercial reasons.

Reproduction, multiplication or translation in full or in part is not permitted without written authorisation.

Nous nous réservons le droit d'apporter, sans préavis ni obligation de mise à jour de ce catalogue, les modifications rendues nécessaires pour des raisons techniques ou commerciales.

Les reproductions ou traductions, même partielles, sont interdites sans autorisations écrite de notre part.

Wir behalten uns vor das Recht notwendige Aenderungen einzufuehren, ohne Voranzeige und ohne Verpflichtung diese Herausgabe auf den letzten Stand zu bringen.

Nachdruck, Vervielfaeltigung oder Uebersetzung, auch auszagsweise, ist ohne schriftliche Genehmigung nicht erlaubt.

Noş reservamos el derecho de aportar, sin previo aviso ni obligación de puesta al día de este catálogo, las modificaciones necesarias por razones técnicas o comerciales.

Las reproducciones o traducciones, incluso parciales, estan prohibidas sin autorización escrita de nuestra parte.

Ci riserviamo il diritto di apportare, senza preavviso e senza l'obbligo di aggiornare questa pubblicazione, le modifiche eventualmente necessarie per qualunque necessità tecnica o commerciale.

Riproduzione, anche parziale, vietata senza nostra autorizzazione scritta.

1. PREFACE

1.1 For technical reasons and for simplification, the illustrations in this catalogue are only by way of example.

2. GUIDE FOR CONSULTATION OF THE CATALOGUE

2.1. Identify in the table 00.00 "Table Index" the table to be consulted.

2.2. Every table is composed of two pages.

An enlarged view of the articles is shown on the first page.

The tables giving part numbers, quantities relating to the engine and eventual observations are shown on the second page.

3. RULES FOR ORDERING

3.1 All orders must be written and sent to NANNIDIESEL, Spare Parts Dept., with the following references:

— Quantities requested

— Part no.

— Number of order, method of shipment, etc.

3.2. For urgent orders or in case of doubt, it is necessary to indicate the serial number and the year of production of the engine and as much useful information possible to identify the part.

4. GENERAL

4.1 Any queries concerning your orders of spare parts must bear the number and date of the order and/or the number of the sales invoice.

4.2. Any complaints regarding shipments must be presented within 8 days from receipt of the goods.

4.3. Any mistakes deriving from the transmission or incorrect interpretation of urgent orders taken by telephone, telegram or telex will be chargeable to the Distributor who passed the order.

1. PREFACE

1.1. Pour des raisons techniques et de simplicité les illustrations de ce catalogue sont seulement fournies à titre indicatif.

2. METHODE DE CONSULTATION DU CATALOGUE

2.1. Rechercher sur la page 00.00 «Index des planches» le numéro de la planche à consulter.

2.2. Chaque planche est composé de 2 pages.

La première page montre la vue éclatée des pièces.

La deuxième page donne les symboles, les quantités pour moteur ainsi que les observations éventuelles.

3. INSTRUCTIONS POUR COMMANDES DE PIÈCES

3.1. Toutes les commandes doivent être adressées à NANNIDIESEL avec les éléments suivants:

— Quantité demandée

— Code de la pièce

— Numéro de commande, mode d'expédition, etc.

3.2. Pour des commandes urgentes ou en cas de doute, il est nécessaire d'indiquer le numéro de série et l'année de fabrication du moteur ainsi que un maximum d'informations permettant d'identifier la pièce.

4. GENERALITES

4.1. Tout renseignement concernant votre commande de pièces détachées doit comporter le numéro et la date de la commande et/ou le numéro et la date de la facture de vente.

4.2. Toute réclamation concernant l'expédition doit être faite sous 8 jours à dater de la réception de la commande.

4.3. Toute erreur découlant de l'expédition ou d'une mauvaise interprétation d'une commande urgente enregistrée par téléphone, télégramme ou télex sera à la charge du distributeur qui a passé la commande.

1. VORREDE

1.1. Die Bilder dieses Katalogs sind nur indikativ.

2. LEITUNG FUER KATALOGKONSULTIERUNG

2.1. Suchen Sie auf Seite 00.00 «Tabellenverzeichnis» die benötigte Tabelle.

2.2. Jede Tabelle hat zwei Seiten.

Die erste Seite zeigt den vergrößerten Querschnitt der Teile.

Die zweite zeigt Katalognummer, Menge und eventuelle Bemerkungen.

3. ANWEISUNG FUER ERSATZTEILBESTELLUNGEN

3.1. Bestellungen bitte getippt adressiert an NANNIDIESEL, Ersatzteilabteilung, mit Angabe von:

— Quantität

— Ersatzteilkode

— Auftragsnummer, Versandweg usw.

3.2. Für dringende Bestellungen oder im Zweifelsfall, geben Sie immer Motornummer und Herstelljahr an und alle mögliche Informationen um den Teil zu identifizieren.

4. ALLGEMEINE

4.1. Jede Anfrage, die sich auf Ihre Ersatzteilbestellung bezieht, soll immer Bestellnummer, Bestelldatum und/oder Rechnungsnummer angeben.

4.2. Reklamationen die sich auf Sendungen beziehen, sollen max. 8 Tage nach Erhalt der Ware zugesandt werden.

4.3. Fehler, verursacht von nicht richtigen Daten, im Falle einer dringenden Bestellung per Telefon oder Fernschreiben, sind dem Vertreter, welcher den Auftrag erteilt hat, zuzuschreiben.

1. PREFACIO

1.1. Por razones técnicas y de simplicidad las ilustraciones de este catálogo se facilitan únicamente a título indicativo.

2. METODO DE CONSULTA DEL CATALOGO

2.1. Buscar en la página 00.00 «Índice de las láminas», el número de la lámina a consultar.

2.2. Cada lámina se compone de 2 páginas. La primera página muestra una vista del despiece. La segunda página da las referencias, las cantidades por motor así como las observaciones eventuales.

3. INSTRUCCIONES PARA PEDIR LAS PIEZAS

3.1. Todos los pedidos deben ser dirigidos a NANNIDIESEL con los elementos siguientes:

— Cantidad pedida

— Código de la pieza

— Número de pedido, forma de expedición etc.

3.2. Para pedidos urgentes o en caso de duda, es necesario indicar el número de serie del motor y el año de fabricación así como el máximo posible de información lo cual permita identificar las piezas.

4. GENERALIDADES

4.1. Toda información o todo dato acerca de su pedido de piezas da recambio debe llevar el número y la fecha de pedido y/o el número y la fecha de la factura de venta.

4.2. Toda reclamación relativa a la expedición debe ser realizada en los 8 días a contar desde la fecha de recepción del pedido.

4.3. Todo error procedente de la expedición o de la mala interpretación de un pedido urgente realizado por teléfono, telegrama o telex será a cargo del distribuidor que ha pasado dicho pedido.

1. PREFAZIONE

1.1. Per motivi tecnici e di semplificazione le illustrazioni del presente catalogo sono puramente indicative.

2. GUIDA PER LA CONSULTAZIONE DEL CATALOGO

2.1. Identificare nella tabella 00.00 «Indice delle tavole» la tabella da consultare.

2.2. Ogni tavola è composta da due facciate.

Sulla prima facciata è rappresentata la vista esplosa dei particolari.

Sulla seconda facciata sono rappresentate le tabelle con i codici di ordinazione, le quantità riferite al motore e le eventuali osservazioni.

3. NORME PER LE ORDINAZIONI.

3.1. Tutte le ordinazioni devono essere dattiloscritte ed inviate alla NANNIDIESEL — Servizio Ricambi — con i seguenti riferimenti:

— Quantità di richiesta

— Codice del pezzo

— Numero di ordine, modalità di spedizione, etc.

3.2. Per gli ordini urgenti o in caso di dubbio è necessario indicare il numero di matricola e l'anno di produzione del motore ed il maggiore numero di dati utili all'identificazione del ricambio.

4. GENERALITÀ

4.1. Ogni domanda di chiarimento riguardante Vostre ordinazioni di parti di ricambio deve indicare il numero e la data dell'ordine e/o il numero della fattura di vendita.

4.2. I reclami riguardanti le spedizioni devono essere presentati entro 8 giorni dalla data di ricevimento della merce.

4.3. Gli errori che deriveranno dalla trasmissione o interpretazione non esatta di dati, in caso di ordini urgenti a mezzo telefono, telegramma o telex, saranno imputabili al Concessionario che avrà trasmesso l'ordine.

DESCRIPTION	GROUP NO.	DESCRIPTION	GROUP NO.	DESCRIPTION	GROUP NO.
CRANK CASE/CYLINDERS	01.00	SEA WATER PUMP	47.01		
OIL PAN - OIL PUMP	01.01	INTAKE MANIFOLD	51.00		
TIMING CASE	02.00	OIL EXTRACTION PUMP	60.00		
CYLINDER HEAD COVER	05.00	MANUAL START	69.00		
CYLINDER HEAD	09.00	STARTER MOTOR	70.00		
VALVES & SPRINGS	10.00	ALTERNATOR ASSY.STD.	73.00		
TIMING GEAR - CAMSHAFT	11.00	ALTERNATOR SPARE PARTS	73.01		
SPEED CONTROL	14.00	INSTRUMENT PANEL STD.	74.00		
DRIVE SPEED CONTROL	14.01	INSTRUMENT PANEL LXP.	74.01		
CRANKSHAFT PISTONS	15.00	INSTRUMENT PANEL	74.02		
CRANKSHAFT	15.01	INSTRUMENT PANEL STD.	75.00		
FLYWHEEL	17.00	INSTRUMENT PANEL LXP.	75.01		
FUEL FEED PUMP	20.00	INSTRUMENT PANEL	75.02		
INJECTION & FUEL FEED PUMP	21.00	INSTRUMENT PANEL STD.	75.04		
INJECTION PUMP	21.01	INSTRUMENT PANEL LXP.	75.05		
INJECTION LINES NOZZLES	22.00	INSTRUMENT PANEL	75.06		
NOZZLE HOLDER	22.01	FLYWHEEL HOUSING	80.00		
FUEL FILTER ASSY.	23.00	REVERSING GEAR	82.00		
OIL FILTER ASSY.	31.08	TOOLS - GASKET SET	90.00		
GROUP CIRCULATION	43.00	ENGINE MOUNT	91.00		
EXHAUST MANIFOLD	45.00	SPARE PARTS KIT	95.00		
SEA WATER PUMP ASSY.	47.00	SHAFT COUPLING	96.00		

INDEX 00.00

DATE



GROUP DESCRIPTION 00.00

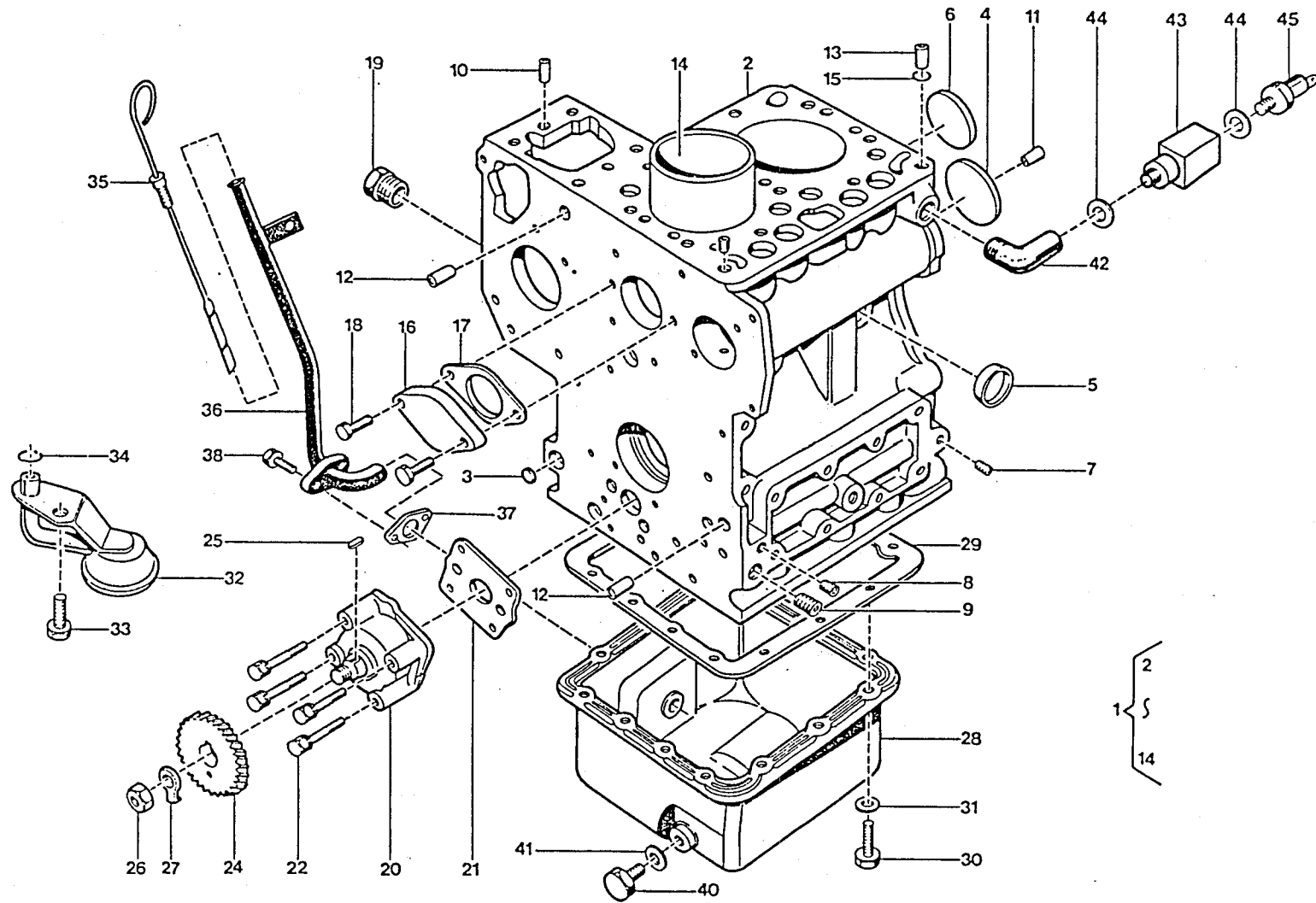
000002

CATALOGUE FOREWORD SYMBOLS

#	!	OBSOLETE
>	!	REPLACED BY
&	!	REPLACE TOGETHER WITH
&—s	!	REPLACE TOGETHER WITH AND MINOR PARTS
A	!	ACCESSORY
[USA]	!	ONLY FOR U.S.A.
*	!	SEE REMARKS
%	!	SPECIAL EXCHANGE CONDITONS
Λ	!	WHEN REQUIRED
	!	COMMERCIAL
	!	SPORT
> ...	!	UP TO ENGINE NUMBER
<...	!	FROM ENGINE NUMBER

01.00

010002



ITEM PART.N QTY D E S C R I P T I O N R E M A R K S I T E M P A R T . N Q T Y D E S C R I P T I O N R E M A R K S

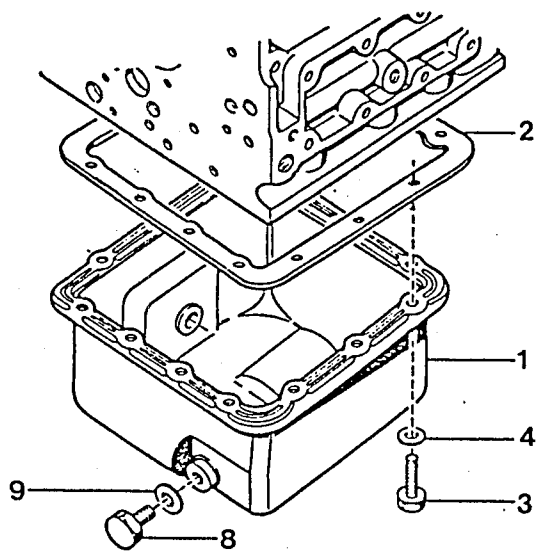
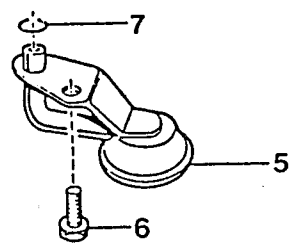
1	150101	1	CRANKCASE, CPL. 2. 60		34	153129	1	O-RING, OIL FILTER 2.60 4.11	
			*	ORDER 1	35	150140	1	DIPSTICK, OIL LEVEL 2.60-4.1	
3	490103	3	CAP, FREEZE		36	150141	1	GUIDE, TUBE OIL DIPSTICK 2.6	
4	490104	1	CAP, FREEZE		37	490142	1	GASKET, OIL GAUGE	
5	490105	3	CAP, FREEZE		38	490119	2	BOLT, M 6X 18	
6	490106	1	CAP, FREEZE					*	
7	490107	5	PLUG, SOCK		40	150127	1	PLUG, DRAIN	
8	490108	3	PLUG, SOCK		41	150128	1	WASHER, DRAIN PLUG	
9	490109	1	PLUG, SOCK		42	493207	1	ELBOW, 1/8X10X1, 5MF	
10	490122	2	PIN, CYLINDRICAL		43	493203	1	FITTING, PRESS SWITCH M10	
11	490111	2	PIN, CYLINDRICAL		44	493206	2	GASKET, RING 10X1, 5	
12	490113	2	PIN, PIPE		45	851701	1	SWITCH, ASI, PRES, 0, 3B, M10, 1P	
13	490112	1	PIN, PIPE						
14	150115	2	LINER, CYLINDER H-HE						
15	490116	1	O-RING						
16	490117	1	COVER, WATER CRANKCASE						
17	490118	1	GASKET, WATER COVER						
18	490119	2	BOLT, M 6X 18						
19	494007	1	NIPPLE, SPEC. 3/4-3/8						
20	493114	1	PUMP, OIL CPL.						
21	493115	1	GASKET, OIL PUMP						
22	493116	4	BOLT						
			*						
24	153117	1	GEAR, OIL PUMP DRIVE						
25	493118	1	KEY, FEATHER H-HE						
26	493119	1	NUT, M10						
27	493120	1	WASHER, CLAW D10						
28	150121	1	PAN, OIL 2. 60						
29	490110	1	GASKET, OIL PAN 2. 60						
30	490123	14	BOLT, M10X 9						
31	490124	14	WASHER, SPRING D 6						
32	493126	1	FILTER, OIL PAN 2. 60						
33	490919	1	BOLT, M 8X 16						

! E N G I N E T Y P E !
! 2.60H !
!-----!
! D A T E !
! 20/02/87 !

! G R O U P D E S C R I P T I O N Q T Y ! P A G . !
! C R A N K C A S E / C Y L I N D E R S 01.00 ! 010002 !

01.01

010102



ITEM PART.N	QTY	DESCRIPTION	REMARKS	ITEM PART.N	QTY	DESCRIPTION	REMARKS
-------------	-----	-------------	---------	-------------	-----	-------------	---------

1	150121	1	PAN,OIL 2. 60				
2	490110	1	GASKET,OIL PAN 2. 60				
3	490123	14	BOLT,M10X 9				
4	490124	14	WASHER,SPRING D 6				
5	493126	1	FILTER,OIL PAN 2. 60				
6	490919	1	BOLT,M 8X 16				
7	153129	1	O-RING,OIL FILTER 2.60 4.11				
8	150127	1	PLUG,DRAIN				
9	150128	1	WASHER,DRAIN PLUG				

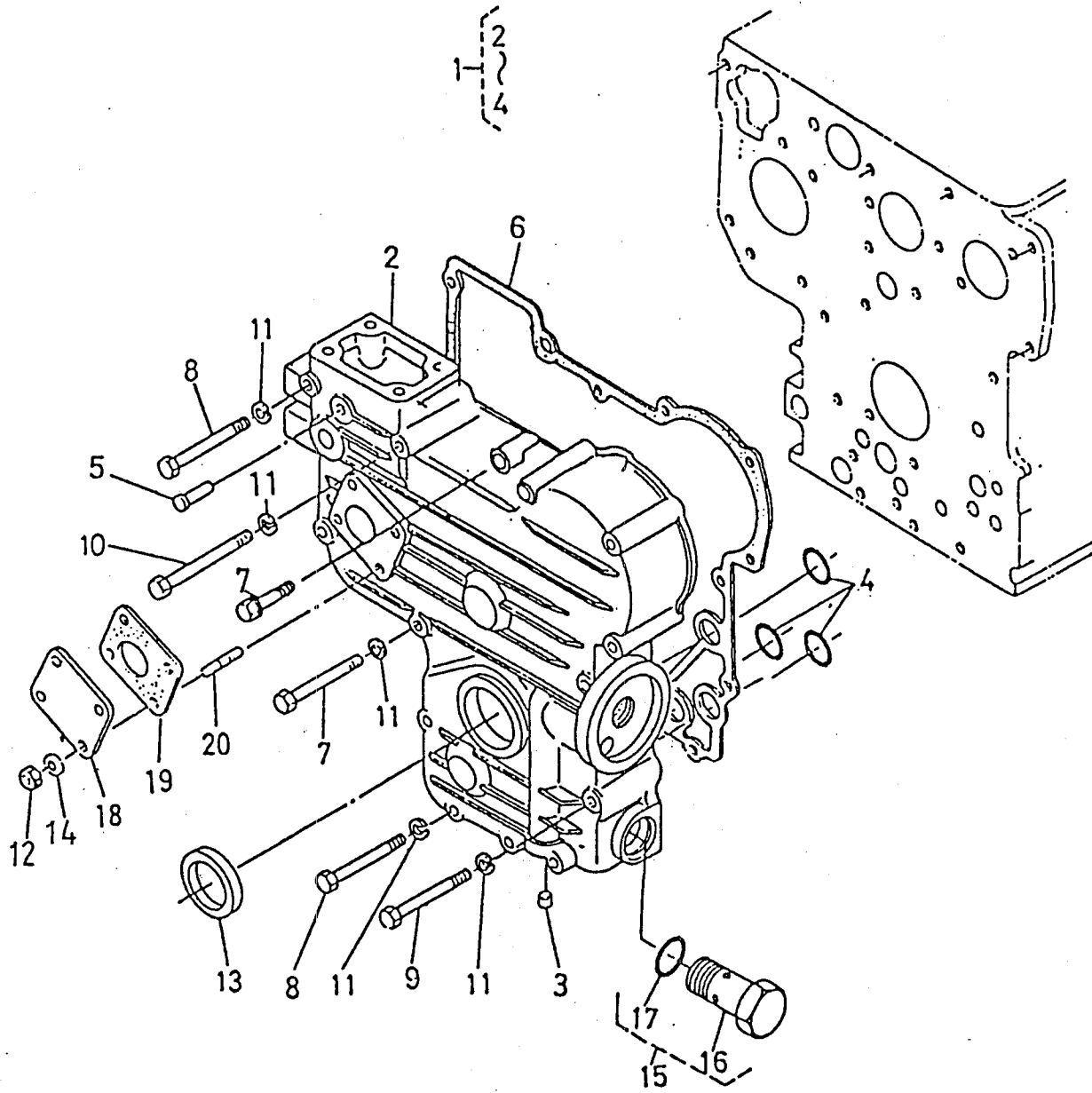
ENGINE TYPE
2.60H

DATE
4/03/87

GROUP DESCRIPTION	01.01	PAG.
OIL PAN - OIL PUMP		010102

02.00

020002



ITEM PART.N QTY D E S C R I P T I O N

REMARKS

ITEM PART.N QTY D E S C R I P T I O N

REMARKS

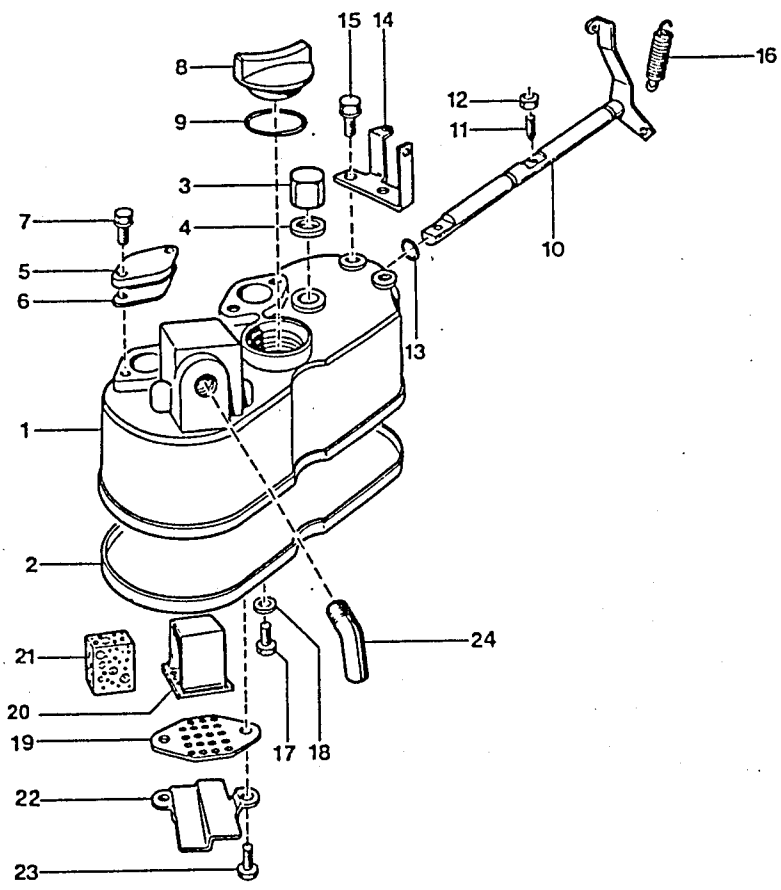
1	150201	1	COVER,TIMING CASE CPL.-HE-				
			*	ORDER	1		
3	150202	2	PLUG,PIN				
4	490203	3	O-RING				
5	490204	1	PIN,TIMING COVER				
6	490205	1	GASKET,TIMING CASE -H-				
7	490207	7	BOLT,M 6X 60				
8	490208	5	BOLT,M 6X 65				
9	490209	1	BOLT,M 6X 70				
10	490210	1	BOLT				
11	490124	14	WASHER,SPRING D 6				
12	151133	4	NUT,M 6				
13	490213	1	SEAL,OIL				
14	490124	4	WASHER,SPRING D 6				
15	493131	1	ASSY,VALVE RELIEF				
			*	ORDER	15		
17	493132	1	O-RING				
18	490222	1	COVER,INJ.TIMING				
19	491736	1	GASKET				

ENGINE TYPE	2.60H
DATE	13/04/87

GROUP DESCRIPTION	02.00	PAG.
TIMING CASE		020002

05.00

050002



ITEM	PART.N	QTY	D E S C R I P T I O N	REMARKS	ITEM	PART.N	QTY	D E S C R I P T I O N	REMARKS
------	--------	-----	-----------------------	---------	------	--------	-----	-----------------------	---------

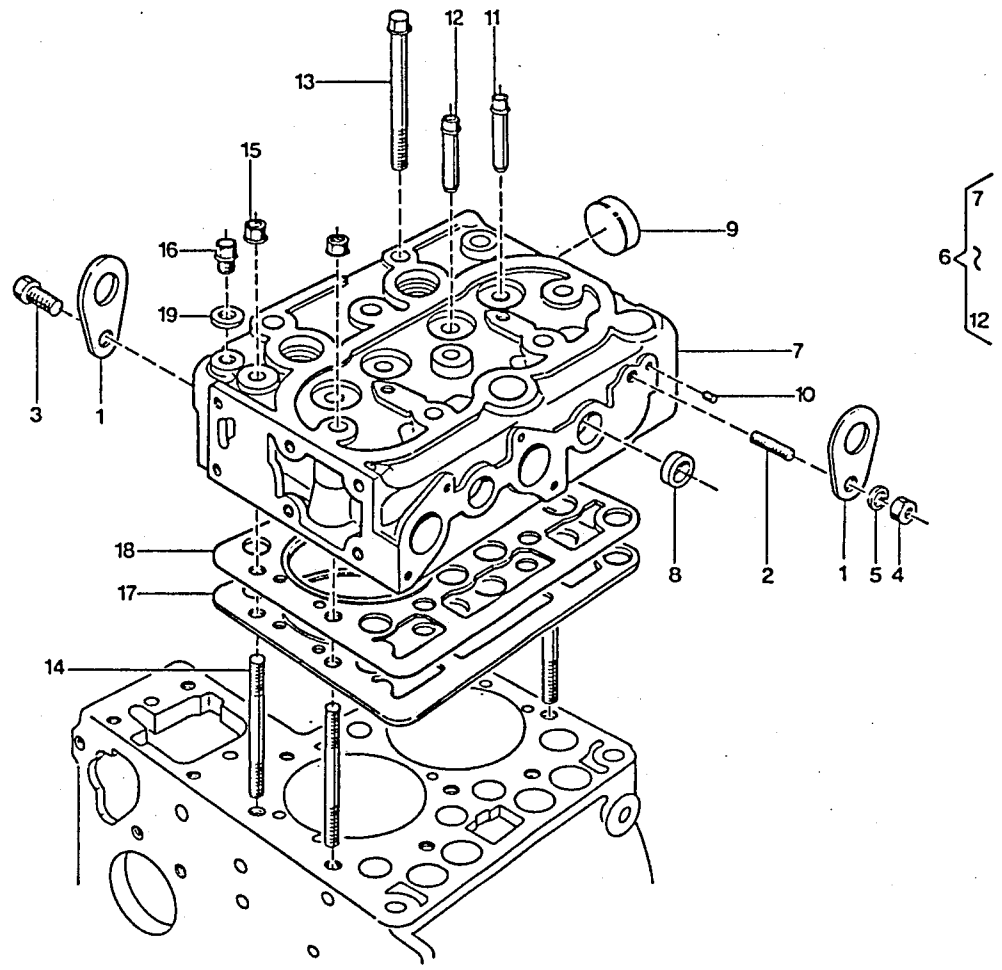
1	490501	1	COVER,CYLINDER HEAD 2. 60	
2	490502	1	GASKET,COVER CYL:HEAD 2. 60	
3	490503	2	NUT,CAP	
4	490505	2	GASKET,RING	
5	490506	2	COVER,DECOMPRESSION 2.60-3.	
6	490507	2	GASKET,COVER	
7	490508	4	BOLT,M 6X 14	
8	490510	1	CAP,FILLING OIL	
9	490511	1	O-RING	
10	490512	1	ASSY,SHAFT DECOMPRESSION	
11	490513	2	BOLT,DECOMPRESSION	
12	490514	2	NUT,M 5	
13	490515	1	C-RING	
14	490517	1	SUPPORT,DECOMMPRES WIRE	
15	490508	2	BOLT,M 6X 14	
16	490519	1	SPRING,DECOMPRESS	
17	490520	1	BOLT	
18	490124	1	WASHER,SPRING D 6	
19	490303	1	PLATE,BREATHR ELEMENT	
20	490302	1	HOUSING,BREATHR ELEMENT	
21	490305	1	FILTER,BREATHR ELEMENT	
22	490306	1	SHIELD,OIL BREATHR	
23	490307	2	SCREW,M 5X 10	
24	490308	1	PIPE,BREATHR	

ENGINE TYPE	
2.60H	
DATE	
16/02/87	

GROUP DESCRIPTION	05.00	PAG.
CYLINDER HEAD COVER		050002

09.00

090002



ITEM PART.N QTY D E S C R I P T I O N REMARKS ITEM PART.N QTY D E S C R I P T I O N REMARKS

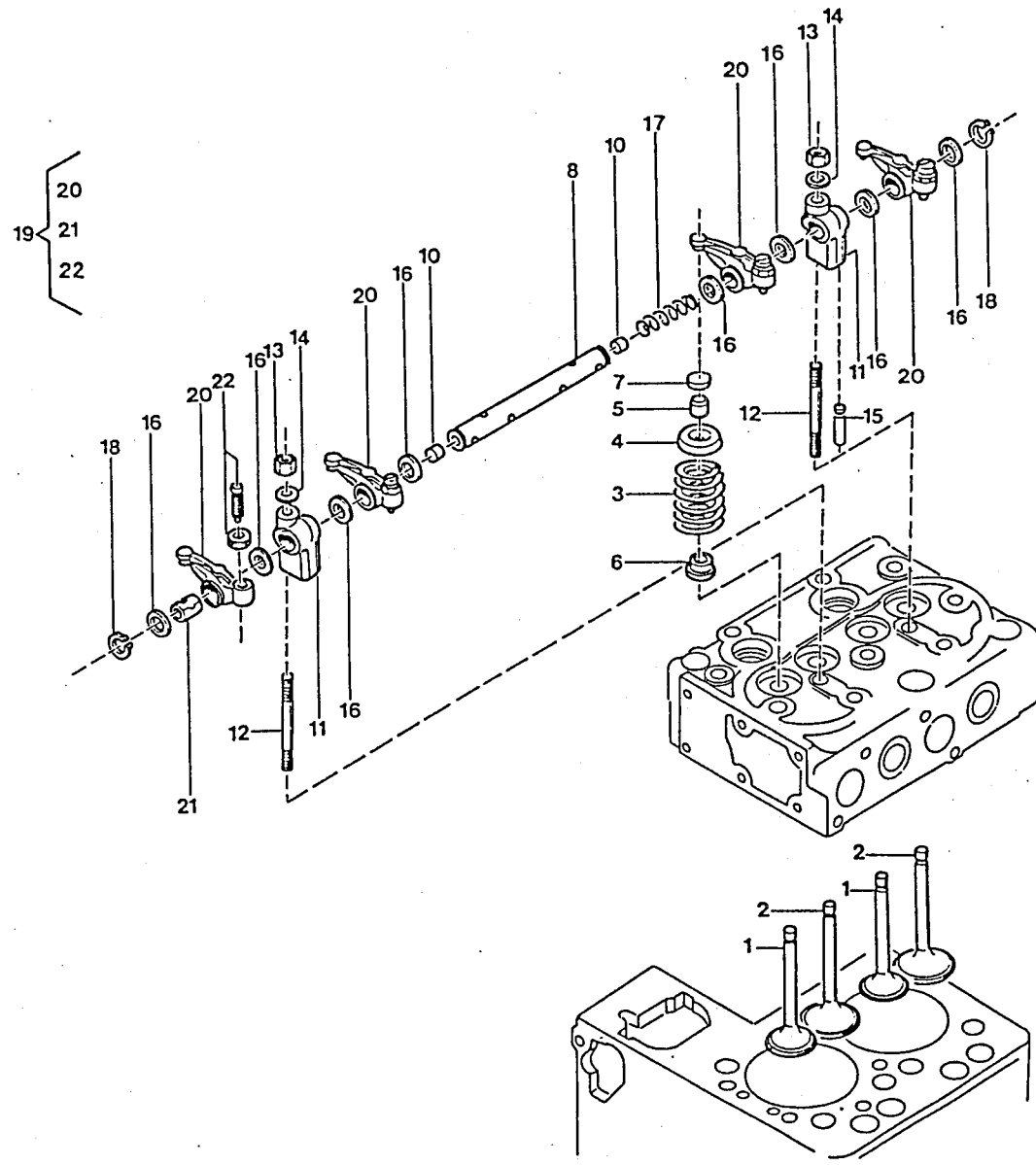
1	490901	2	HOOK,ENGINE 2.60-3.90-4.110		
2	490902	1	STUD,M 8X 16		
3	490919	1	BOLT,M 8X 16		
4	490903	1	NUT,M 8		
5	490904	1	WASHER,SPRING D 8		
6	150905	1	HEAD,CYLINDER CPL 2. 60		
		*		ORDER 6	
8	490921	3	CAP,SEALING		
9	490908	1	CAP,FREEZE		
10	490909	2	PLUG,PIN CRANKSHAFT		
11	500922	2	GUIDE,VALVE INTAKE H-HE		
12	500923	2	GUIDE,VALVE EXHAUST H-HE		
13	150912	8	BOLT,CYL.HEAD		
14	150913	2	STUD,CYL.HEAD 2. 60-3.90-4.		
15	150914	2	NUT,CYLINDER HEAD		
16	150915	1	PLUG,CYL.HEAD		
17	150916	1	GASKET,CYL:HEAD 2. 60HE		
18	150917	1	SHIM,CYLINDER HEAD 2. 60	↑	
19	150919	1	WASHER,SEAL		

ENGINE TYPE	2.60H
DATE	18/02/87

GROUP DESCRIPTION	09.00	PAG.
CYLINDER HEAD		090002

10.00

100002



ITEM PART.N QTY D E S C R I P T I O N R E M A R K S I T E M P A R T . N Q T Y D E S C R I P T I O N R E M A R K S

1 151002 2 VALVE, EXHAUST
 2 151001 2 VALVE, INTAKE
 3 491003 4 SPRING, VALVE
 4 491004 4 RETAINER, VALVE SPRING
 5 491005 8 COLLET, VALVE SPRING
 6 491006 4 SEAL, VALVE STEM
 7 491007 4 CAP, VALVE
 8 151008 1 SHAFT, ROCKER ARM 2.60

ORDER 8

*
 10 491009 2 SCREW, SET
 11 491011 2 BRACKET, ROCKER ARM
 12 491012 2 STUD, CYL. HEAD-ROCKER ARM
 13 491013 2 NUT
 14 491014 2 WASHER, PLAIN
 15 491015 1 SCREW, SET
 16 491016 4 WASHER
 17 491017 1 SPRING, ROCKER ARM
 18 491018 2 CIR-CLIP, EXTERNAL
 19 151019 4 ASSY, ROCKER ARM 2.60-3.90

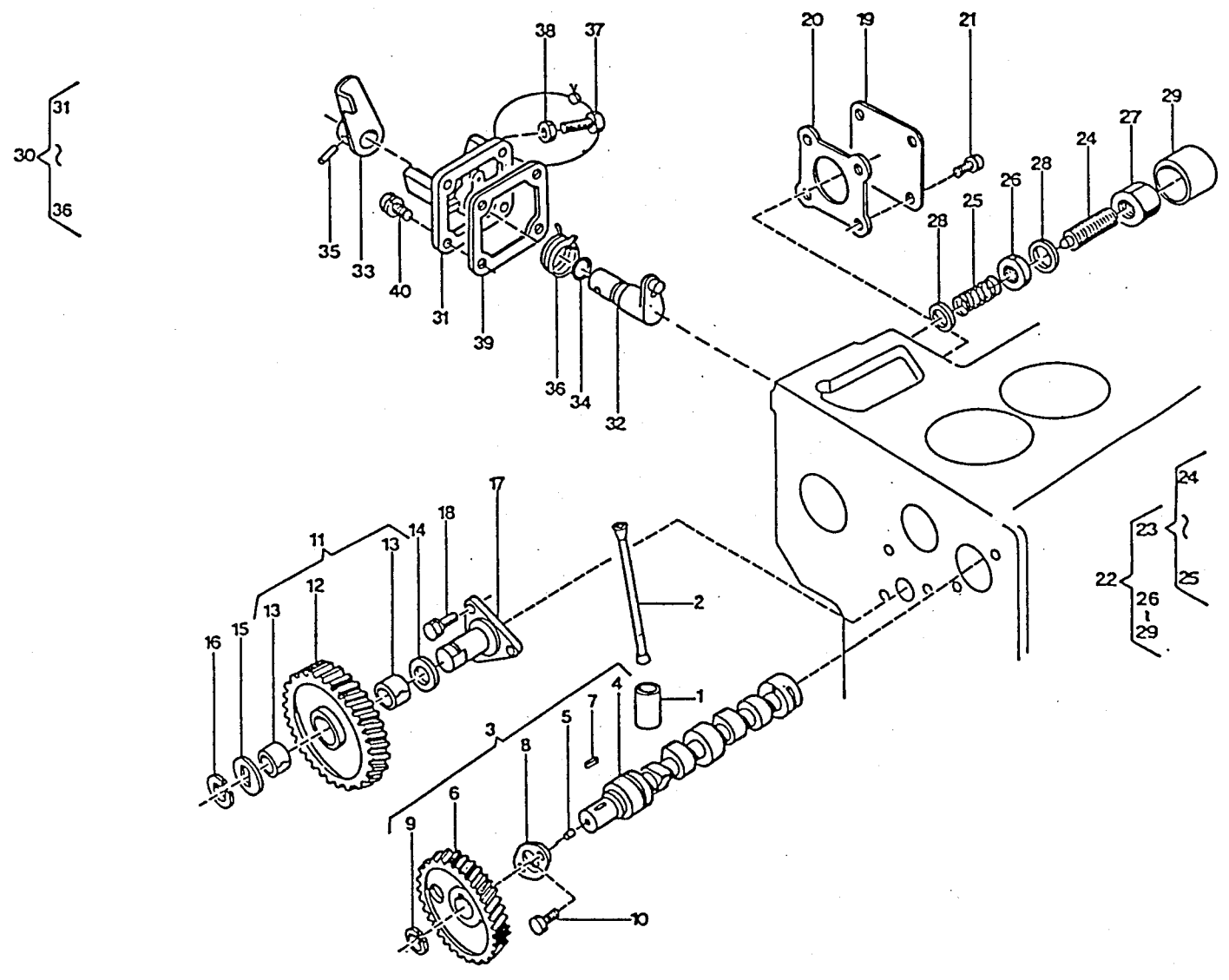
ORDER 19

21 151022 4 BUSHING, ROCKER ARM
 22 491022 4 SCREW, ADJ. ROCKER ARM

ENGINE TYPE	GROUP DESCRIPTION	10.00	PAG.
2.60H	VALVES + SPRINGS		100002
DATE			
20/02/87			

11.00

110002



ITEM	PART.	N	QTY	D E S C R I P T I O N	REMARKS	ITEM	PART.	N	QTY	D E S C R I P T I O N	REMARKS
------	-------	---	-----	-----------------------	---------	------	-------	---	-----	-----------------------	---------

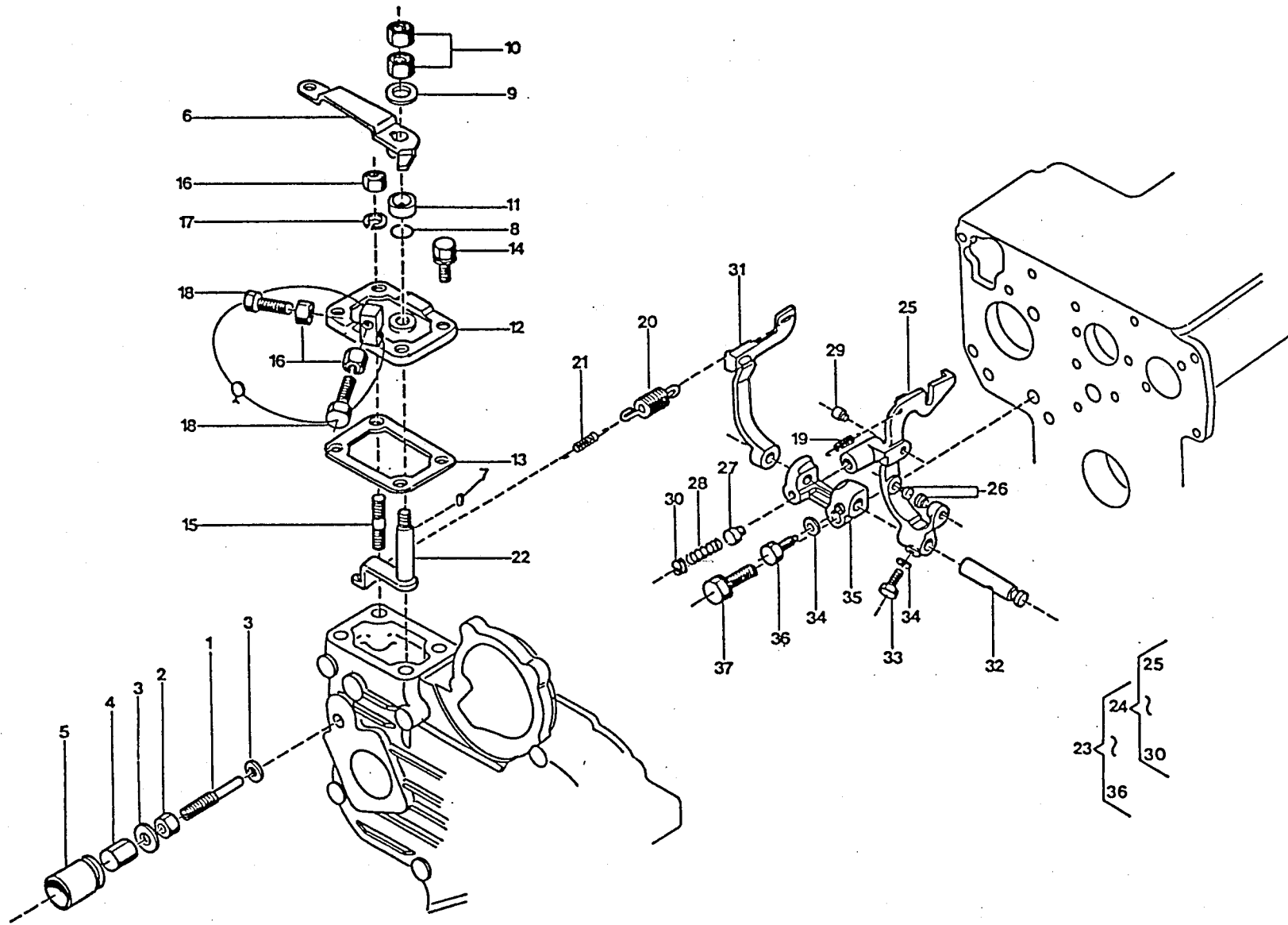
1	491101	4	TAPPET	
2	491102	4	ROD,PUSH	
3	491103	1	CAMSHAFT,CPL.2. 60	
4	491140	1	CAMSHAFT,2. 60	
5	491104	2	PLUG	
6	491105	1	GEAR,CAMSHAFT H-HE	
7	491106	1	KEY,FEATHER	
8	491107	1	STOPPER,CAMSHAFT	
9	491108	1	CIR-CLIP,EXTERNAL	
10	490508	2	BOLT,M 6X 14	
11	491111	1	GEAR,IDLE CPL.	
		*		ORDER 11
13	491112	2	BUSH,IDLE GEAR	
14	491113	1	COLLAR,IDLE GEAR NO1	
15	491114	1	COLLAR,IDLE GEAR NO2	
16	491115	1	CIR-CLIP,EXTERNAL	
17	491116	1	SHAFT,IDLE GEAR	
18	491117	3	BOLT,M 6X 16	
19	491133	1	COVER,FUEL CAMSHAFT	
20	491119	1	GASKET,COVER OIL PUMP	
21	491134	4	BOLT,M 8X 18	
22	151125	1	ADJUSTMENT,GOVERNOR CPL	
23	151126	1	SCREW,ADJUSTING IDLING CPL	
		*		ORDER 23
		*		ORDER 23
26	491129	1	NUT	
27	491130	1	NUT,CAP	
28	491131	2	WASHER,SEAL	
29	491132	1	CAP,NUT	
30	151127	1	LEVER,ENGINE STOP CPL.	
31	151128	1	COVER,INJ.PUMP	
		*		ORDER 30
		*		ORDER 30

!	34	151129	1	O-RING
!	35	151130	1	PIN,SPRING RETAINER
!	36	151131	1	SPRING,INJ.PUMP
!	37	141301	1	BOLT,STOPPER ADJ.
!	38	151133	1	NUT,M 6
!	39	492104	1	GASKET,COVER
!	40	490119	3	BOLT,M 6X 18

! ENGINE TYPE !	! GROUP DESCRIPTION
! 2.60H !	! TIMING GEAR
! DATE !	! 11.00 !
! 16/02/87 !	! CAMSHAFT !
	! PAG. !
	! 110002 !

14.00

140002



ITEM PART.N QTY D E S C R I P T I O N REMARKS

ITEM PART.N QTY D E S C R I P T I O N REMARKS

1 150401 1 SCREW, ADJUSTING
 2 150402 1 NUT
 3 150403 2 RING, SEAL
 4 150404 1 NUT, CAP
 5 150405 1 CAP, NUT
 6 151306 1 LEVER, ACCELERATOR
 7 491312 1 KEY, FEATHER
 8 151129 1 O-RING
 9 151309 1 WASHER, PLAIN D 6
 10 151310 2 NUT, M 6
 11 151311 1 SPACER, GOVERNOR
 12 151312 1 COVER, SPEED CONTROL
 13 491311 1 GASKET, COVER SPEED CONTROL
 14 495104 3 BOLT
 15 490224 1 STUD
 16 151133 3 NUT, M 6
 17 490124 1 WASHER, SPRING D 6
 18 141301 2 BOLT, STOPPER ADJ.
 19 491313 1 SPRING, START GOVERNOR
 20 151314 1 SPRING, GOVERNOR NO1 2. 60
 21 151315 1 SPRING, GOVERNOR NO2 2. 60
 22 151316 1 LEVER, GOVERNOR CPL.
 23 151317 1 LEVER, FORK CPL. 2.60-3.90
 24 151319 1 LEVER, CPL. 2.60-3.90

ORDER 24
 ORDER 24
 ORDER 24
 ORDER 24
 ORDER 24
 ORDER 24

31 151320 1 LEVER, FORK NO2
 32 491319 1 SHAFT, FORK LEVER
 33 151321 1 BOLT, M 5X 16

! 34 151322 2 WASHER, SPRING D 5
 ! 35 491321 1 SUPPORT, FORK LEVER
 ! 36 491322 1 BOLT
 ! 37 491323 2 BOLT, M 6X 28

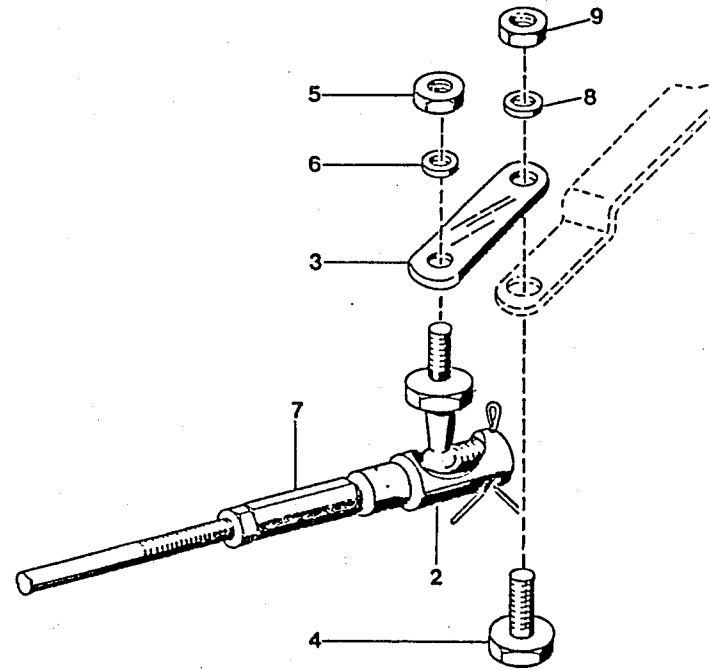
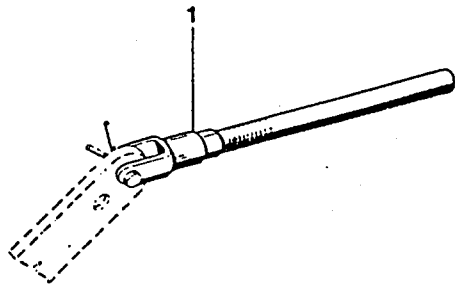
! ENGINE TYPE !
 ! 2.60H !

! DATE !
 ! 16/02/87 !

! GROUP DESCRIPTION 14.00 ! PAG. !
 ! SPEED CONTROL ! 140002 !

14.01

140102



ITEM	PART.N	QTY	D E S C R I P T I O N	REMARKS	ITEM	PART.N	QTY	D E S C R I P T I O N	REMARKS
------	--------	-----	-----------------------	---------	------	--------	-----	-----------------------	---------

1	830123	1	FORK						
2	830124	1	JOINT, SPHERICAL						
3	832060	1	BRACKET, REMOTE CONTROLE						
4	832061	1	BOLT, HEX M 8X 10						
5	635460	1	NUT, M 6						
6	119149	1	WASHER, SPRING D 6						
7	832062	1	EXTENDER, REMOTE CONTROLE						
8	119139	1	WASHER, CORRUGATED D 8						
9	639105	1	NUT, M 8 LOW						

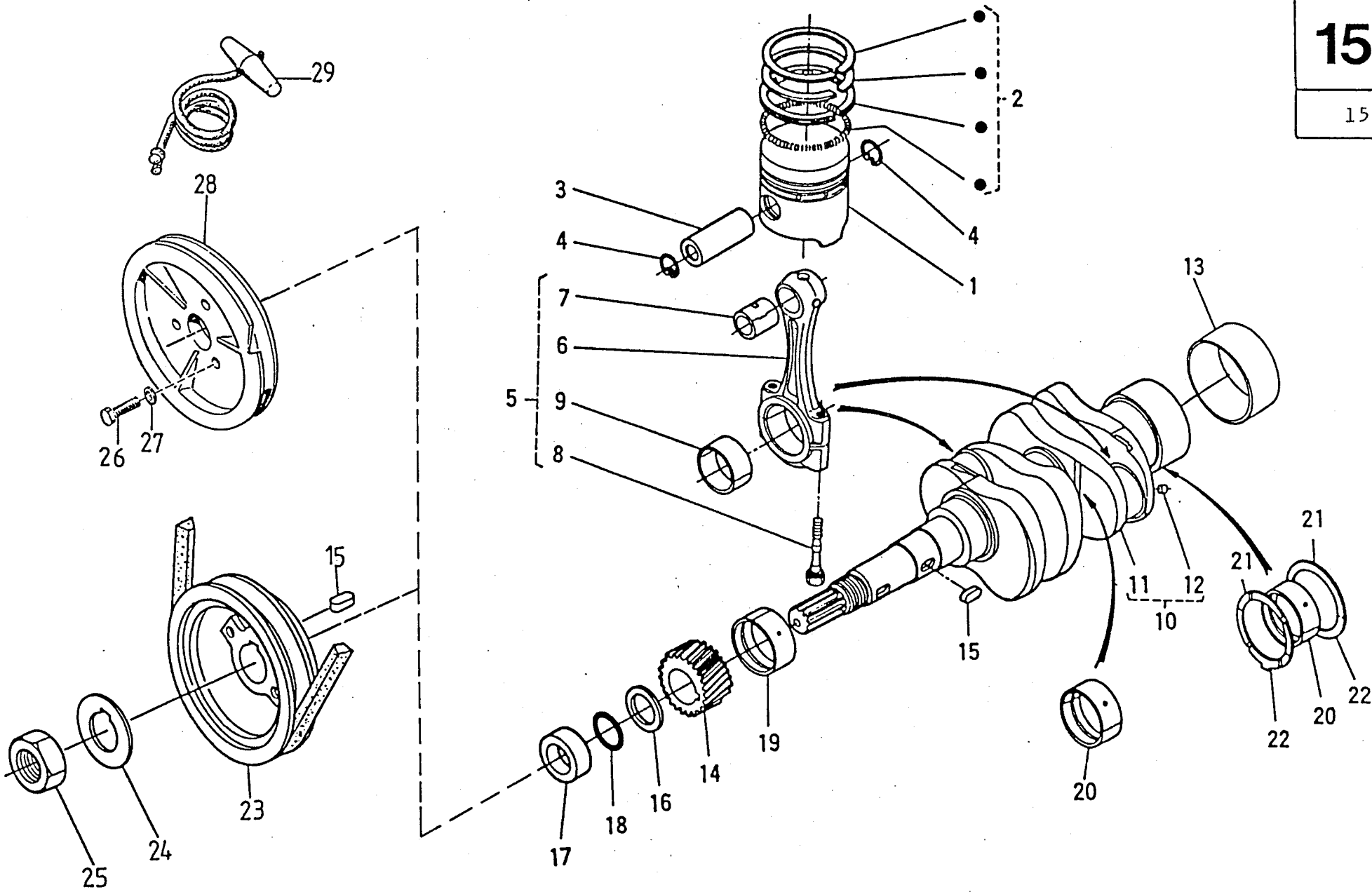
! ENGINE TYPE !
! 2.60H !

! DATE !
! 24/02/87 !

! GROUP DESCRIPTION 14.01 ! PAG. !
! DRIVE SPEED CONTROL ! 140102 !

15.00

150001



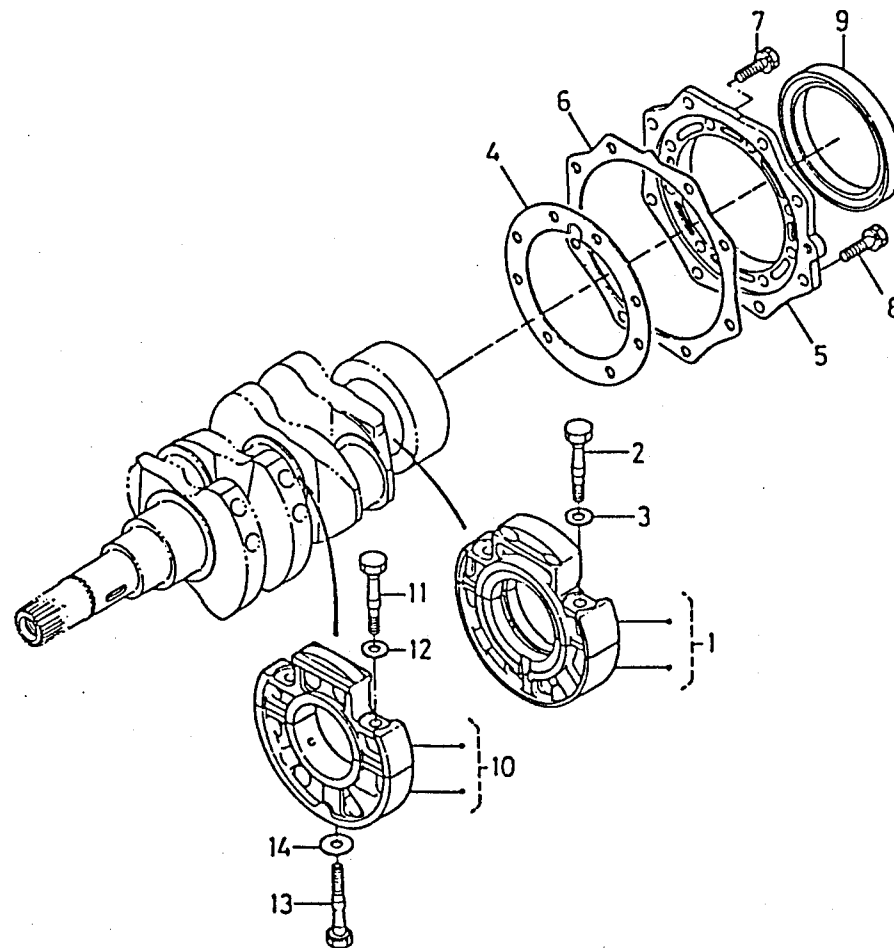
ITEM	PART.N	QTY	D E S C R I P T I O N	REMARKS	ITEM	PART.N	QTY	D E S C R I P T I O N	REMARKS
1	151550	2	PISTON, STD. 2.60-3.90-4.110		34	491544	1	METAL, CRANKSHAFT +0.20	ITEM 19
2	151502	2	SET, PISTON RING STD.		35	491556	1	METAL, CRANKSHAFT +0.40	ITEM 19
3	491503	2	PIN, PISTON		36	491547	2	METAL, CRANKSHAFT 2 0.20	ITEM 20
4	491504	4	CIR-CLIP		37	491557	2	METAL, CRANKSHAFT 2 0.40	ITEM 20
5	491505	2	ROD, CONNECTING CPL. 2. 60-3.		38	491548	2	METAL, SIDE 1 0.02	ITEM 21
		*		ORDER 5	39	491558	2	METAL, SIDE 1 0.04	ITEM 21
7	491512	2	BUSH, CONN. ROD		40	491549	2	METAL, SIDE 2 0.02	ITEM 22
8	491513	4	BOLT, CONN. ROD		41	491559	2	METAL, SIDE 2 0.04	ITEM 22
9	491514	2	METAL, CONN. ROD STD						
10	151515	1	CRANKSHAFT, CPL. 2. 60						
		*		ORDER 10					
12	490909	2	PLUG, PIN CRANKSHAFT						
13	151513	1	SLEEVE, CRANKSHAFT						
14	491520	1	GEAR, CRANKSHAFT						
15	491106	2	KEY, FEATHER						
16	491522	1	SLINGER, OIL						
17	151523	1	BUSH, CRANKSHAFT						
18	491524	1	O-RING, CRANKSHAFT						
19	491525	1	METAL, CRANKSHAFT 1 STD						
20	491526	2	METAL, CRANKSHAFT 2 STD						
21	491527	2	METAL, SIDE 1 STD						
22	491528	2	METAL, SIDE 2 STD						
23	151516	1	PULLEY, D115 2. 60H						
24	301493	1	WASHER, CRANKSHAFT						
25	301492	1	NUT, CRANKSHAFT						
26	119141	3	BOLT, HEX M 8X 20						
27	119138	3	WASHER, SPRING D 8						
28	151704	1	PULLEY, 2. 60-3. 90						
29	151705	1	ROPE, STARTER L=1150						
30	151561	2	PISTON, +0.50	ITEM 1					
31	151503	2	SET, PISTON RING +0.50	ITEM 2					
32	491545	2	METAL, CONN. ROD 0.20	ITEM 9					
33	491555	2	METAL, CONN. ROD 0.40	ITEM 9					

ENGINE TYPE	2.60H
DATE	14/04/87

GROUP DESCRIPTION	15.00	PAG.
CRANKSHAFT	PISTONS	150002

15.01

150102



ITEM PART.N	QTY	D E S C R I P T I O N	REMARKS	ITEM PART.N	QTY	D E S C R I P T I O N	REMARKS
-------------	-----	-----------------------	---------	-------------	-----	-----------------------	---------

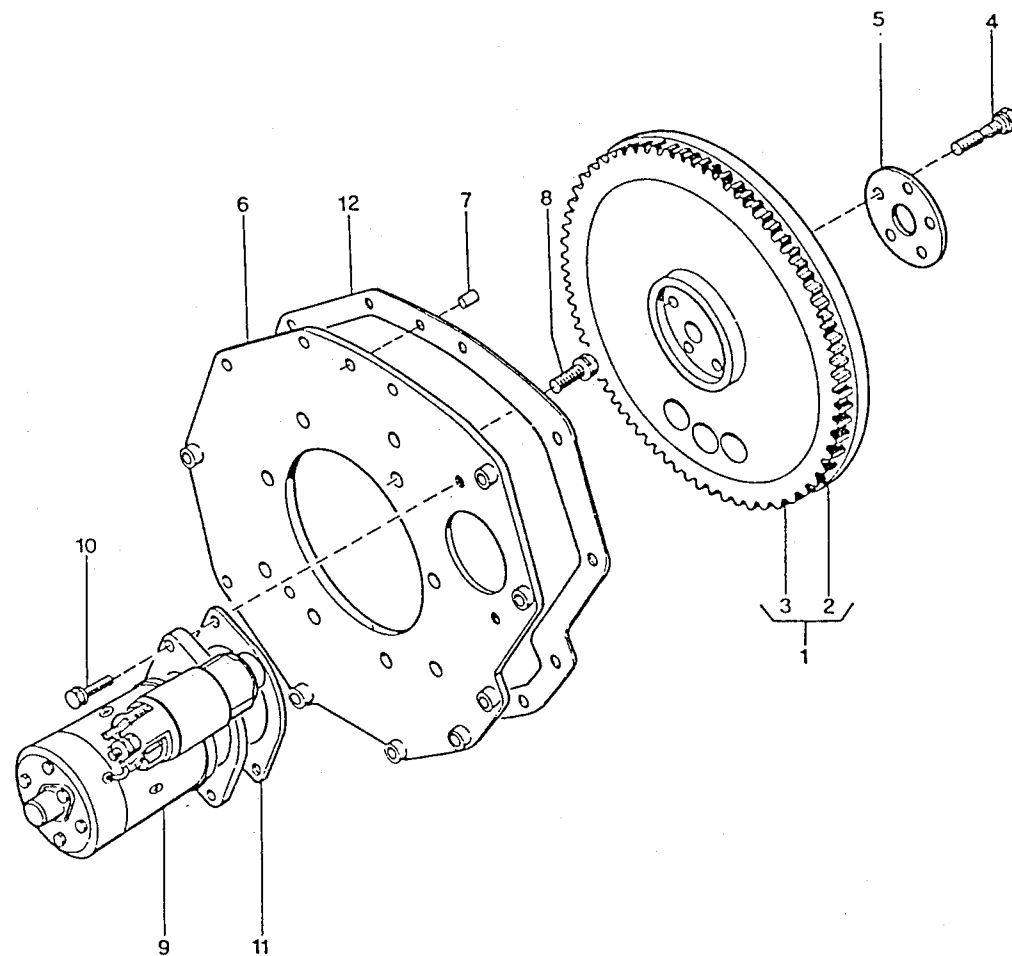
1	151532	1	BEARING,MAIN ASSY NO1-2.60				
2	491533	4	BOLT,BEARING CASE NO1				
3	491534	4	WASHER,BEARING CASE NO1				
4	491506	1	GASKET,BEARING CASE				
5	151535	1	COVER,BEARING CASE 2.60				
6	491508	1	GASKET,BEARING CASE COVER				
7	491537	8	BOLT,M 6X 25				
8	491534	9	BOLT,M 6X 20				
9	151529	1	SEAL,OIL				
10	491538	1	BEARING,MAIN ASSY NO2				
11	491533	4	BOLT,BEARING CASE NO1				
12	491534	4	WASHER,BEARING CASE NO1				
13	491539	1	BOLT,BEARING CASE				
14	491540	1	WASHER,BEARING CASE				

ENGINE TYPE	2.60H
DATE	24/03/87

GROUP DESCRIPTION	15.01	PAG.
CRANKSHAFT	MAIN BEARI	150102

17.00

170002



ITEM	PART.N	QTY	D E S C R I P T I O N	REMARKS	ITEM	PART.N	QTY	D E S C R I P T I O N	REMARKS
------	--------	-----	-----------------------	---------	------	--------	-----	-----------------------	---------

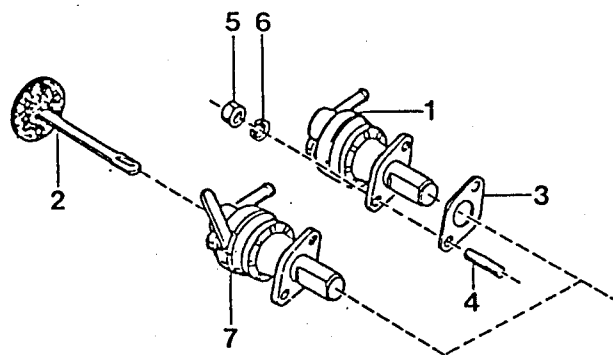
1	151702	1	FLYWHEEL, CPL. 2. 60	ORDER 1					
			*						
3	491703	1	GEAR, FLYWHEEL						
4	491705	5	BOLT, FLYWHEEL						
5	491706	1	WASHER, FLYWHEEL						
6	491707	1	PLATE, REAR END 2. 60-3.90-4						
7	490111	1	PIN, CYLINDRICAL						
8	491709	8	BOLT, REAR END PLATE						
9	497303	1	STARTER, MOTOR 12V 0.8KW 1P						
10	409603	2	BOLT, HEX M 8X 25						
11	497328	1	GASKET, STARTER 2.60-3.90						
12	151706	1	GASKET, REAR END PLATE						

ENGINE TYPE	2.60H
DATE	16/02/87

GROUP DESCRIPTION	17.00	PAG.
FLYWHEEL		170002

20.00

200002



ITEM PART.N	QTY	D E S C R I P T I O N	REMARKS	ITEM PART.N	QTY	D E S C R I P T I O N	REMARKS
-------------	-----	-----------------------	---------	-------------	-----	-----------------------	---------

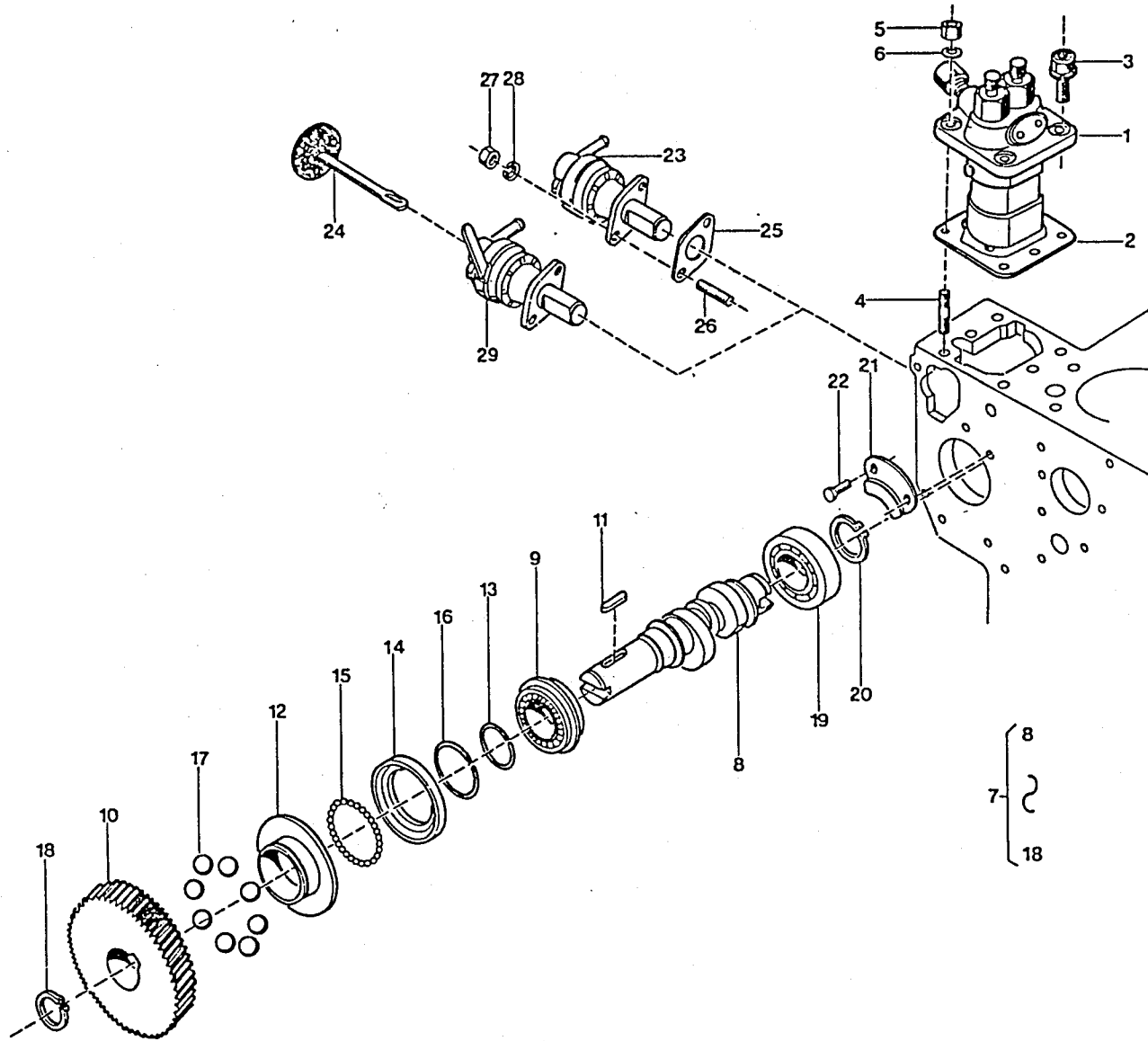
1	492501	1	PUMP,FUEL FEED CPL.				
2	492502	1	DIAPHRAM,FUEL PUMP				
3	492512	1	GASKET,FUEL PUMP				
4	492513	2	STUD,M 6X 16				
5	151133	2	NUT,M 6				
6	490124	2	WASHER,SPRING D 6				
7	512501	1	PUMP,FUEL FEED CPL. MANUAL				

ENGINE TYPE	2.60H
DATE	17/02/87

GROUP DESCRIPTION	20.00	PAG.
FUEL FEED PUMP		200002

21.00

210002



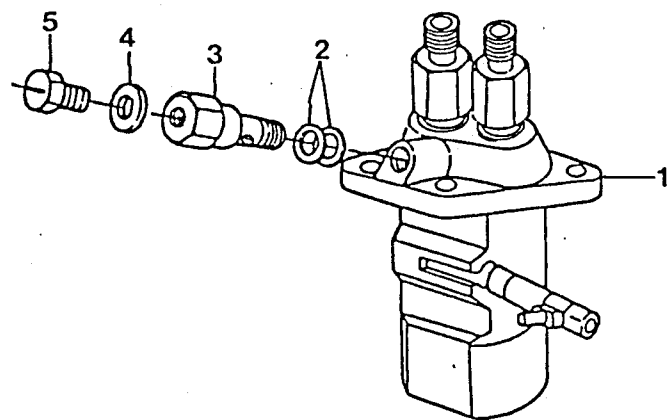
ITEM PART.N QTY D E S C R I P T I O N REMARKS ITEM PART.N QTY D E S C R I P T I O N REMARKS

1 492120 1 PUMP,INJECTION 2. 60 CPL
 2 492121 1 SHIM,INJECTION PUMP 2. 60 ↑
 3 492138 2 BOLT,M 8X 22
 4 492139 2 STUD,M 8
 5 490903 2 NUT,M 8
 6 490904 2 WASHER,SPRING D 8
 7 492122 1 CAMSHAFT,FUEL CPL.2. 60
 8 492123 1 CAMSHAFT,FUEL 2. 60
 9 492124 1 BEARING,BALL
 10 492125 1 GEAR,INJ.PUMP
 11 492126 1 KEY,FEATHER
 12 492127 1 SLEEVE,GOVERNER INJ.PUMP
 13 492128 1 CIR-CLIP,GOVERNER SLEEVE
 14 492129 1 CASE,GOVERNOR BALL
 15 492130 30 BALL,CAMSHAFT FUEL
 16 492131 1 CIR-CLIP,GOVERNOR BALL CASE
 17 492132 8 BALL,BEARING GOVERNOR
 18 491108 1 CIR-CLIP,EXTERNAL
 19 492134 1 BEARING,BALL
 20 492135 1 CIR-CLIP,EXTERNAL
 21 492136 1 STOPPER,FUEL CAMSHAFT
 22 140123 2 BOLT,M 6X 12
 23 492501 1 PUMP,FUEL FEED CPL.
 24 492502 1 DIAPHRAM,FUEL PUMP
 25 492512 1 GASKET,FUEL PUMP
 26 492513 2 STUD,M 6X 16
 27 151133 2 NUT,M 6
 28 490124 2 WASHER,SPRING D 6
 29 512501 1 PUMP,FUEL FEED CPL. MANUAL

ENGINE TYPE	GROUP DESCRIPTION	21.00	PAG.
2.60H	INJECTION+FUEL PUMP		210002
DATE			
24/02/87			

21.01

210102



ITEM PART.N QTY D E S C R I P T I O N R E M A R K S I T E M P A R T . N Q T Y D E S C R I P T I O N R E M A R K S

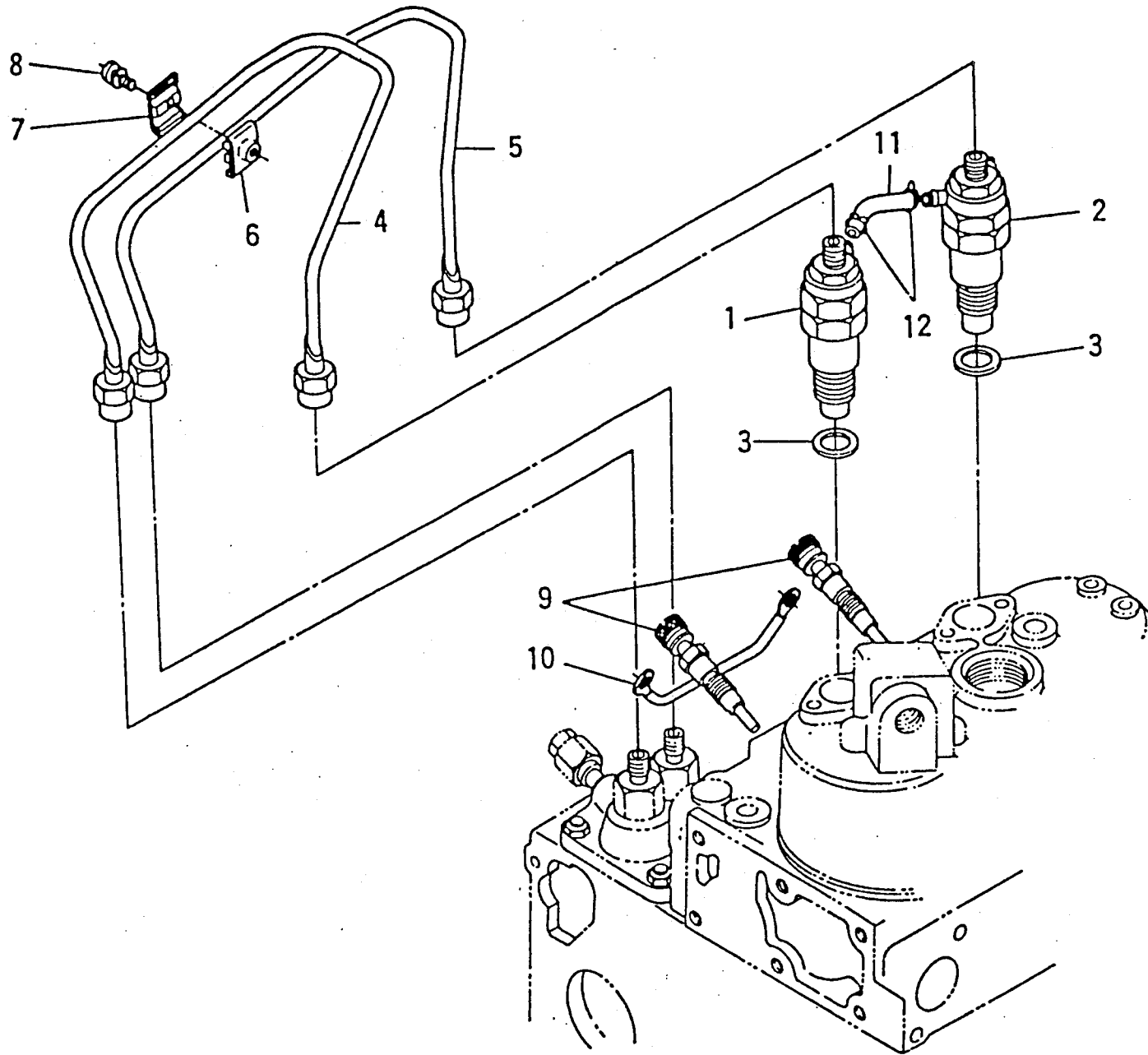
1	492120	1	PUMP, INJECTION 2. 60 CPL		
2	492166	2	GASKET, RING INJ. PUMP		
3	492165	1	SCREW, INJ. PUMP		
4	492167	1	GASKET, RING INJ. PUMP		
5	492152	1	SCREW, BLEED INJ. PUMP		

!	E	N	G	I	N	E		T	Y	P	E	!
!												!
!							2.60H					!
!	D	A	T	E								!
!							24/03/87					!

!	G	R	O	U	P		D	E	S	C	R	I	O	N		21.01	!	P	A	G.	!	
!																	!				!	
!																	!				210102	!

22.00

220002



ITEM PART.N QTY D E S C R I P T I O N R E M A R K S I T E M P A R T . N Q T Y D E S C R I P T I O N R E M A R K S

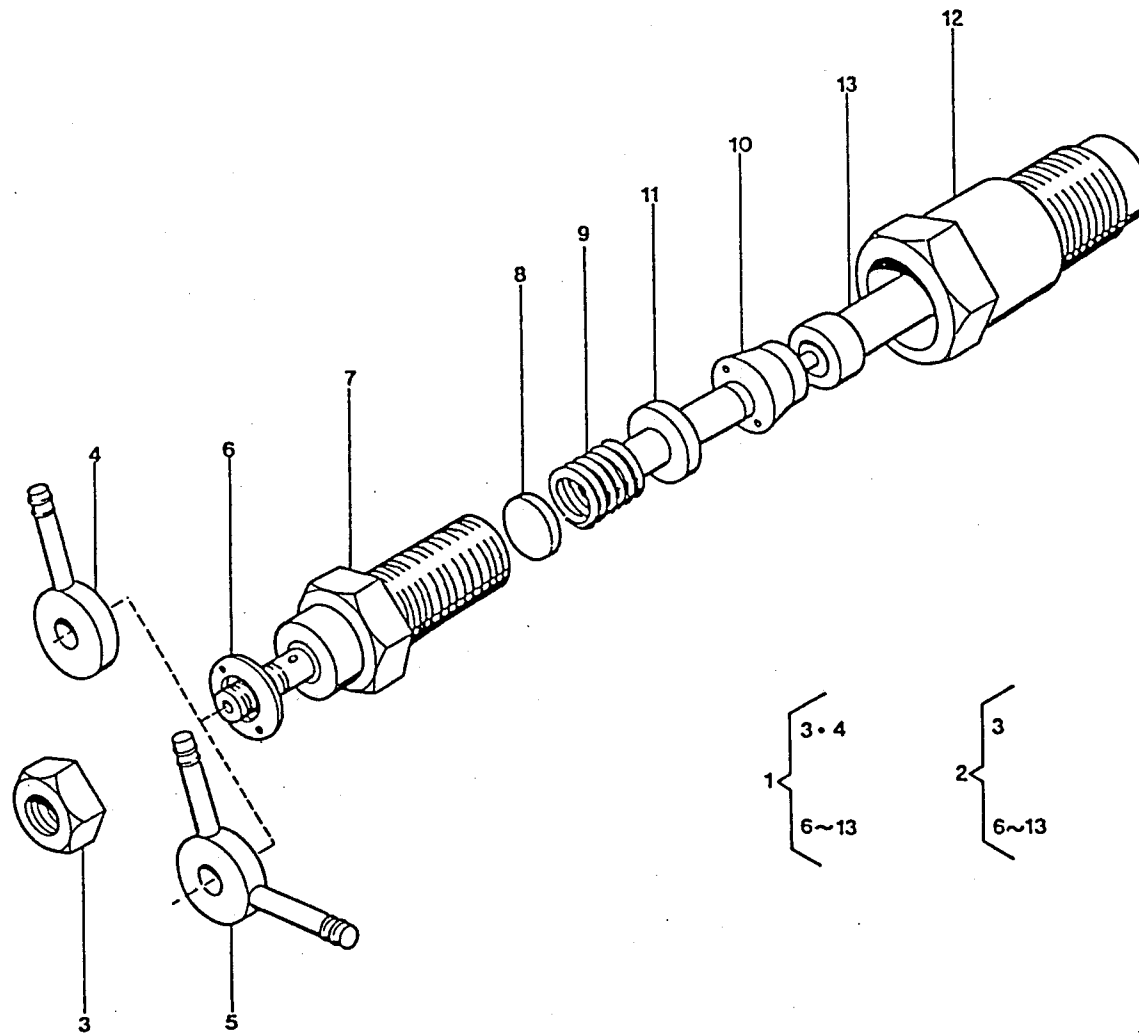
1 492107 1 INJECTOR,CPL.SINGLE
 2 492108 1 INJECTOR,CPL.DOUBLE
 3 492109 2 GASKET,RING INJECTORS
 4 492110 1 LINE,FUEL CYL.NO1 2. 60-3.
 5 492111 1 LINE,FUEL CYL.NO2 2. 60-3.
 6 492114 1 CLAMP,PIPE 1
 7 492115 1 CLAMP,PIPE 2
 8 492118 1 SCREW,M 5X 20 ROUND HEAD
 9 152116 2 GLOWPLUG,H-HE
 10 492117 1 CABLE,GLOWPLUG
 11 492101 1 PIPE,FUEL OVERFLOW
 12 492305 2 CLAMP,HOSE

! E N G I N E T Y P E !
 ! 2.60H !
 ! D A T E !
 ! 25/03/87 !

! G R O U P D E S C R I P T I O N 22.00 ! P A G . !
 ! I N J E C T I O N L I N E S N O Z Z L E S ! 220002 !

22.01

220102



ITEM	PART.N	QTY	D E S C R I P T I O N	REMARKS	ITEM	PART.N	QTY	D E S C R I P T I O N	REMARKS
------	--------	-----	-----------------------	---------	------	--------	-----	-----------------------	---------

1	492107	1	INJECTOR,CPL.SINGLE						
2	492108	1	INJECTOR,CPL.DOUBLE						
3	492153	2	NUT,NOZZLE INJ.						
4	492155	1	FITTING,NOZZLE SINGLE						
5	492154	1	FITTING,NOZZLE DOUBLE						
6	492172	2	WASHER,NOZZLE INJ.						
			*	ORDER 1↑2					
8	142200	1	SET,SPACER NOZZLE						
9	492143	2	SPRING,NOZZLE INJ.						
10	492144	2	PIECE,DISTANCE NOZZLE INJ.						
11	492145	2	ROD,PUSH NOZZLE INJ.						
12	492173	2	NUT,NOZZLE INJ.						
13	492113	2	NOZZLE,INJECTOR						

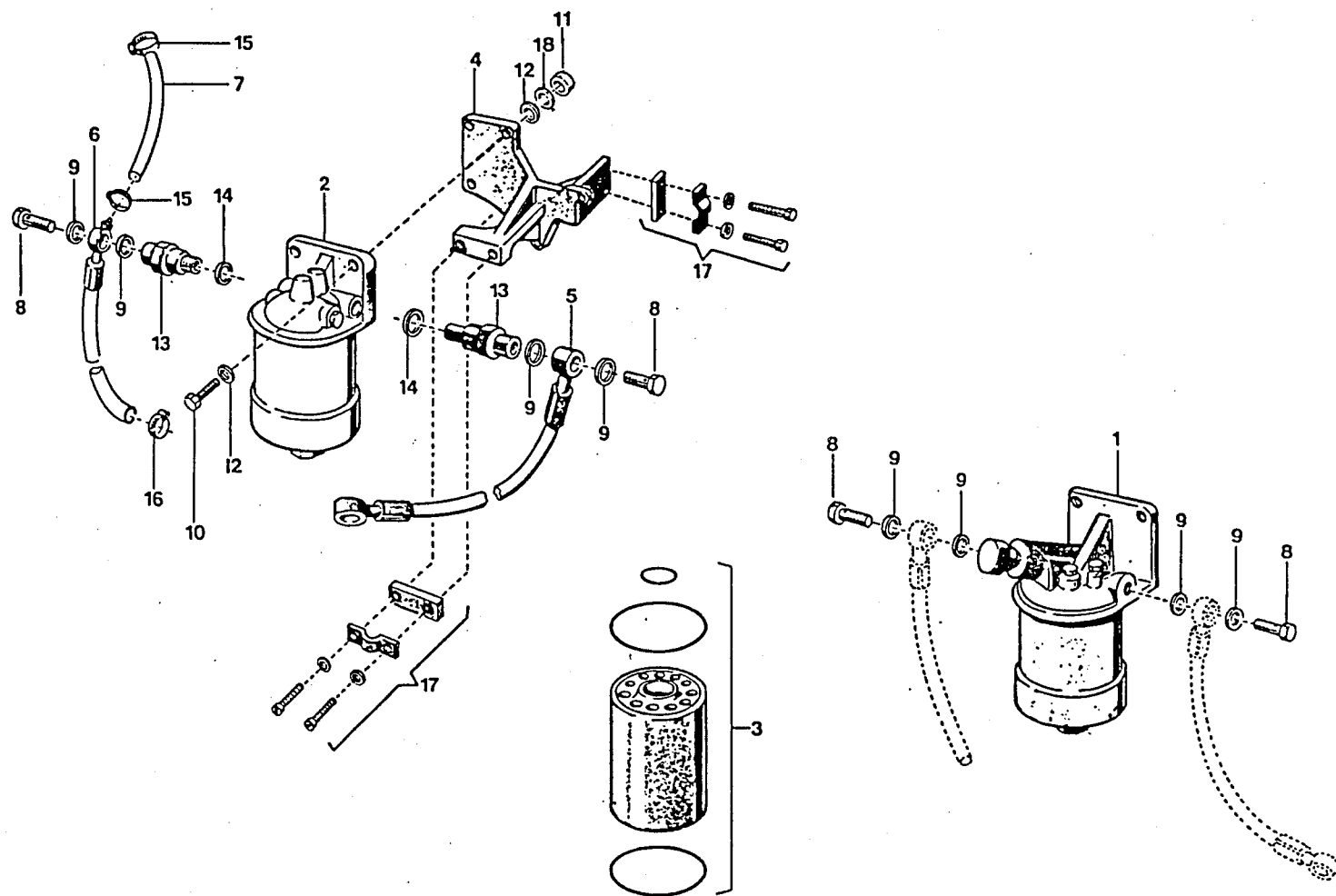
ENGINE TYPE
2.60H

DATE
25/03/87

GROUP DESCRIPTION	22.01	PAG.
NOZZLE HOLDER		220102

23.00

230002



ITEM	PART.N	QTY	D E S C R I P T I O N	REMARKS	ITEM	PART.N	QTY	D E S C R I P T I O N	REMARKS
------	--------	-----	-----------------------	---------	------	--------	-----	-----------------------	---------

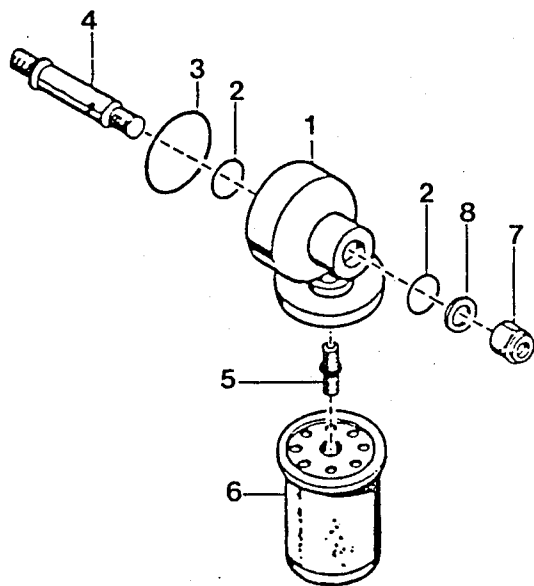
1	875400	1	FILTER, FUEL WITH PUMP H-HE	
2	875100	1	FILTER, FUEL CPL (H-HE)	
3	875102	1	FILTER, ELEMENT FUEL H-HE	
4	492341	1	SUPPORT, FUEL FILTER 2. 60	
5	492310	1	HOSE, FUEL 2. 60 H/HE CPL	
6	492320	1	HOSE, FUEL 2. 60	
7	492304	1	HOSE, D 3 L= 180	
8	432134	2	BOLT, BANJO M12X1,5	
9	300325	4	RING, SEAL D12	
10	644008	2	BOLT, HEX M10X 35	
11	119143	2	NUT, M10	
12	119135	4	WASHER, PLAIN D10	
13	875103	2	REDUCTION, M14X1,5-M12X1,5	
14	300307	2	GASKET, RING D14	
15	300290	2	CLAMP, HOSE 8-10	
16	439306	1	CLAMP, HOSE 15-24	
17	835020	2	BRACKET, AND PLATES CPL.	
18	119134	2	WASHER, SPRING D10	

ENGINE TYPE	2.60H
DATE	24/02/87

GROUP DESCRIPTION	23.00	PAG.
FUEL FILTER ASSY.		230002

31.00

310002



 ITEM PART.N QTY D E S C R I P T I O N REMARKS

ITEM PART.N QTY D E S C R I P T I O N REMARKS

/ 1 493151 1 SUPPORT,OIL FILTER
 2 493156 2 O-RING
 3 493155 1 O-RING
 4 493152 1 BOLT,OIL FILTER SUPPORT HE
 5 493157 1 NIPPLE,OIL FILTER
 6 493150 1 FILTER,OIL
 7 493154 1 NUT,M16X1,5 NYLOC
 8 493153 1 GASKET,RING 16X1,5

! !

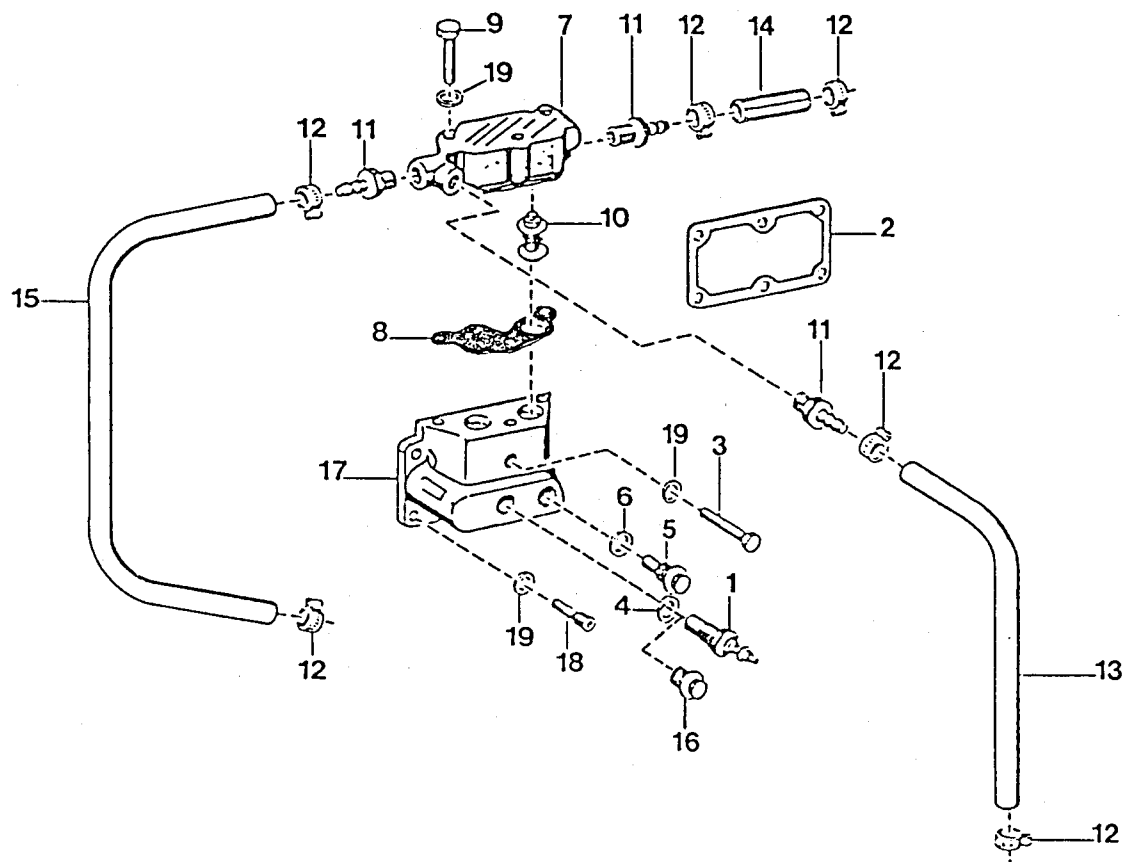
 ! E N G I N E T Y P E !
 ! 2.60H !

 ! D A T E !
 ! 16/02/87 !

 ! G R O U P D E S C R I P T I O N 31.00 ! P A G . !
 ! O I L F I L T E R A S S Y . ! ! 310002 !

43.00

430002



ITEM	PART.N	QTY	D E S C R I P T I O N	REMARKS	ITEM	PART.N	QTY	D E S C R I P T I O N	REMARKS
------	--------	-----	-----------------------	---------	------	--------	-----	-----------------------	---------

✓ 1	861602	1	TRANSM, YAZ, TEMP, 120C, M14, 1P & 300357	! /
✓ 2	494618	1	GASKET, HOUSING THERMOSTAT	! /
✓ 3	154630	1	BOLT, SOCK M 6X 50	! /
✓ 4	300307	1	GASKET, RING D14	! /
✓ 5	494635	1	ANODE, ZINC CPL M16X1,5	! /
✓ 6	300199	1	GASKET, RING D16 (AL)	! /
✓ 7	514617	1	COVER, THERMOSTAT 4.110	! /
✓ 8	302341	1	GASKET, THERMOSTAT HOUSING -	! /
✓ 9	300276	3	BOLT, HEX M 6X 50	! /
✓ 10	434511	1	THERMOSTAT, 40*	! /
✓ 11	494010	4	PILLAR, HOSE 3/8" G	! /
✓ 12	439306	5	CLAMP, HOSE 15-24	! /
✓ 13	154561	1	HOSE, D13 L= 210	! /
✓ 14	154562	1	HOSE, D13 L= 85	! /
✓ 15	301155	1	HOSE, D13 L= 450	! /
✓ 16	875506	1	PLUG, HEX M14X1,5	! /
✓ 17	514616	1	HOUSING, THERMOSTAT 4.110	! /
✓ 18	604615	4	BOLT, SOCK M 6X 20	! /
✓ 19	119149	8	WASHER, SPRING D 6	! /

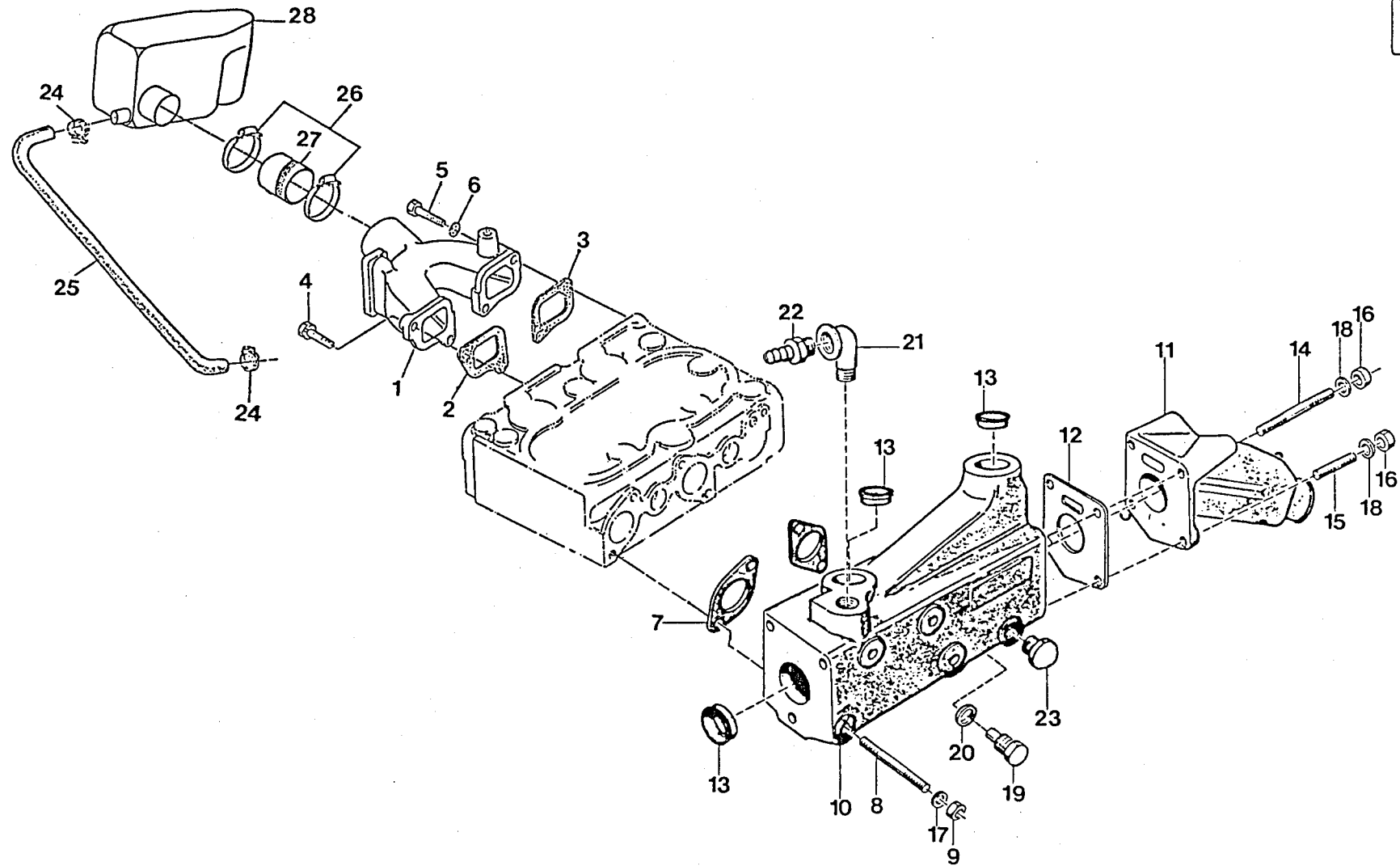
& 856000

! ENGINE TYPE !
! 2.60H !
! DATE !
! 6/06/88 !

! GROUP DESCRIPTION	43.00	! PAG. !
! GRP. CIRCULATION		! 430002 !

45.00

450002



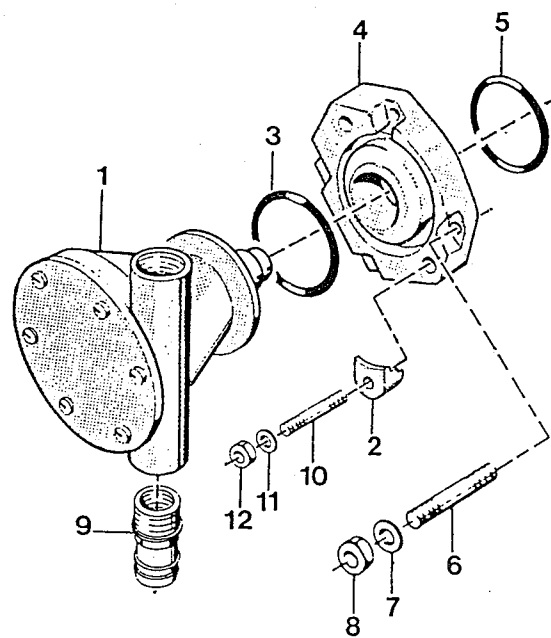
1	495101	1	MANIFOLD, INTAKE 2.60	!
2	495102	1	GASKET, INTAKE MANIFOLD NO1	!
3	495103	1	GASKET, INTAKE MANIFOLD NO2	!
4	495104	3	BOLT	!
5	140207	1	BOLT, M 6X 50	!
6	490124	5	WASHER, SPRING D 6	!
7	494512	2	GASKET, EXHAUST MANIFOLD	!
8	494515	4	STUD, M 6X 99	!
9	494516	4	NUT, LOCK M 6	!
10	494511	1	HOUSING, EXHAUST MANIFOLD 2.	!
11	494513	1	MIXER, 2.60-3.90-4.110	!
12	494514	1	GASKET, MIXER	!
13	494517	5	CAP, FREEZE	!
14	494518	2	STUD, M 8X 70	!
15	494519	2	STUD, M 8X 24	!
16	494520	4	NUT, LOCK M 8	!
17	635459	4	WASHER, PLAIN D 6	!
18	119139	4	WASHER, CORRUGATED D 8	!
19	494635	1	ANODE, ZINC CPL M16X1,5	!
20	300199	1	GASKET, RING D16 (AL)	!
21	434055	1	ELBOW, M-F 3/8"G	!
22	494010	1	PILLAR, HOSE 3/8"G	!
23	154553	1	VALVE, DRAIN 3/8"G	!
24	439306	2	CLAMP, HOSE 15-24	!
25	496045	1	HOSE, CARTER DEAIR	!
26	604533	2	CLAMP, HOSE 32-44	!
27	301611	1	HOSE, AIR FILTER 2.40-2.60/	!
28	301330	1	FILTER, AIR HE	!

! ENGINE TYPE !
 ! 2.60H !
 !-----!
 ! DATE !
 ! 26/03/87 !

! GROUP DESCRIPTION	45.00	! PAG. !
! EXHAUST MANIFOLD		! 450002 !
!-----!		!-----!
!-----!		!-----!

47.00

470002



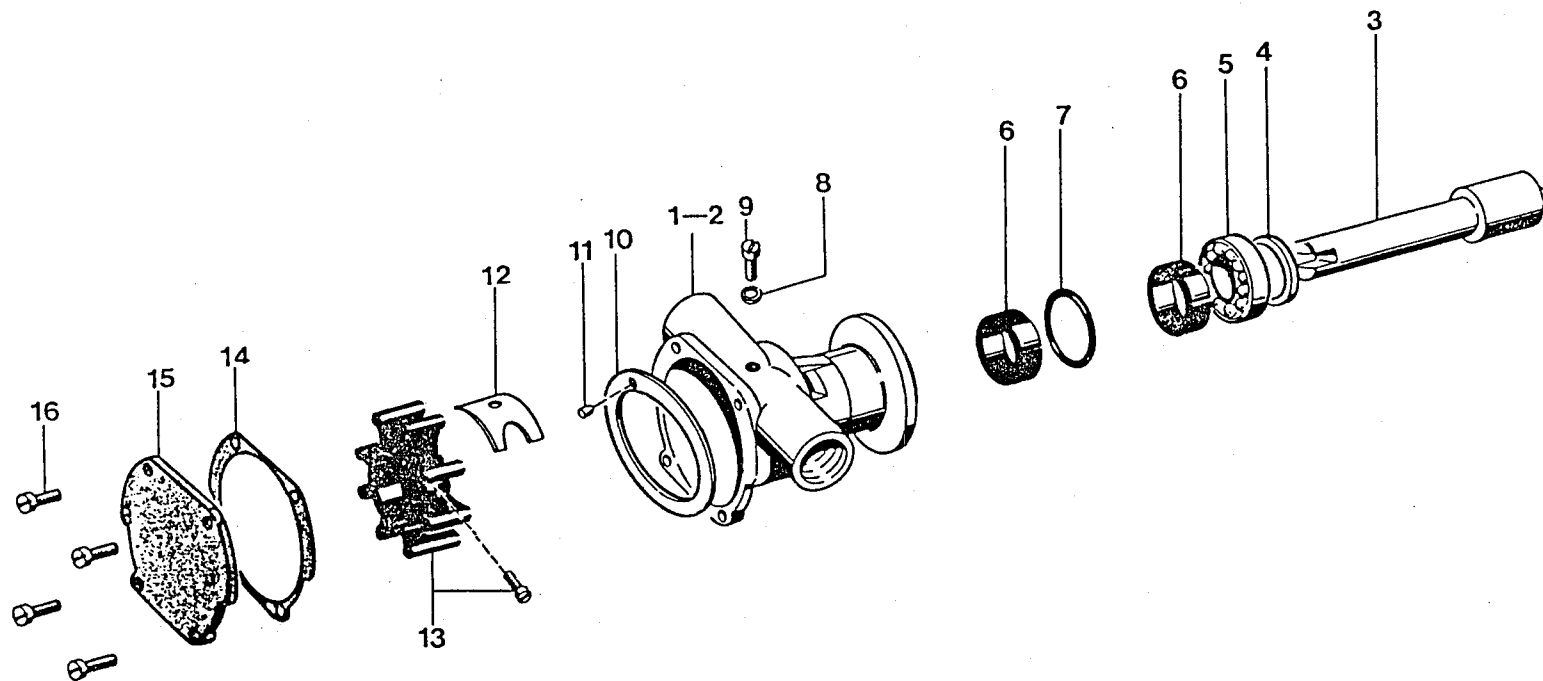
ITEM	PART.N	QTY	D E S C R I P T I O N	REMARKS	ITEM	PART.N	QTY	D E S C R I P T I O N	REMARKS
------	--------	-----	-----------------------	---------	------	--------	-----	-----------------------	---------

- | | | | | |
|----|--------|---|-------------------|--|
| 1 | 300495 | 1 | PUMP,WATER F35B-9 | |
| 2 | 494004 | 2 | CLAMP,WATERPUMP | |
| 3 | 494025 | 1 | O-RING | |
| 4 | 154024 | 1 | FLANGE,PUMP | |
| 5 | 154025 | 1 | O-RING | |
| 6 | 154024 | 4 | STUD,M 6X 22 | |
| 7 | 119149 | 4 | WASHER,SPRING D 6 | |
| 8 | 635460 | 4 | NUT,M 6 | |
| 9 | 434051 | 1 | SOCKET,HOSE 3/8 | |
| 10 | 300057 | 2 | STUD,M 8X 20 | |
| 11 | 119138 | 2 | WASHER,SPRING D 8 | |
| 12 | 639105 | 2 | NUT,M 8 LOW | |

ENGINE TYPE	2.60H	GROUP DESCRIPTION	47.00	PAG.	
DATE	7/06/88	SEA WATER PUMP ASSY.			470002

47.01

470102



ITEM	PART.N	QTY	D E S C R I P T I O N	REMARKS	ITEM	PART.N	QTY	D E S C R I P T I O N	REMARKS
------	--------	-----	-----------------------	---------	------	--------	-----	-----------------------	---------

1	300495	1	PUMP, WATER F35B-9	
2	303726	1	HOUSING, WATER PUMP F35B-9	3
3	303490	1	SHAFT, WATER PUMP F4B-9	
4	303493	1	RING, RETAINING WATER PUMP F	
5	303692	2	BEARING, CASE WATER PUMP F4B	
6	434031	2	RING, SEAL OIL WATER PUMP F3	
7	303494	1	O-RING, WATER PUMP	
8	303688	1	WASHER, WATER PUMP F35B-9	
9	303687	1	SCREW, CAM WATER PUMP	
10	303720	1	PLATE, WEAR W/PUMP F35B-9	
11	303675	1	PIN, WATER PUMP F5B-9000	
12	303483	1	CAM, WATER PUMP F35B-9	1/1
13	34014	1	IMPELLER, WATER PUMP F35B D	
14	34028	1	GASKET, F35B	
15	303684	1	COVER, WATER PUMP F35B-9	
16	303686	4	SCREW, COVER W/PUMP F35B-9	

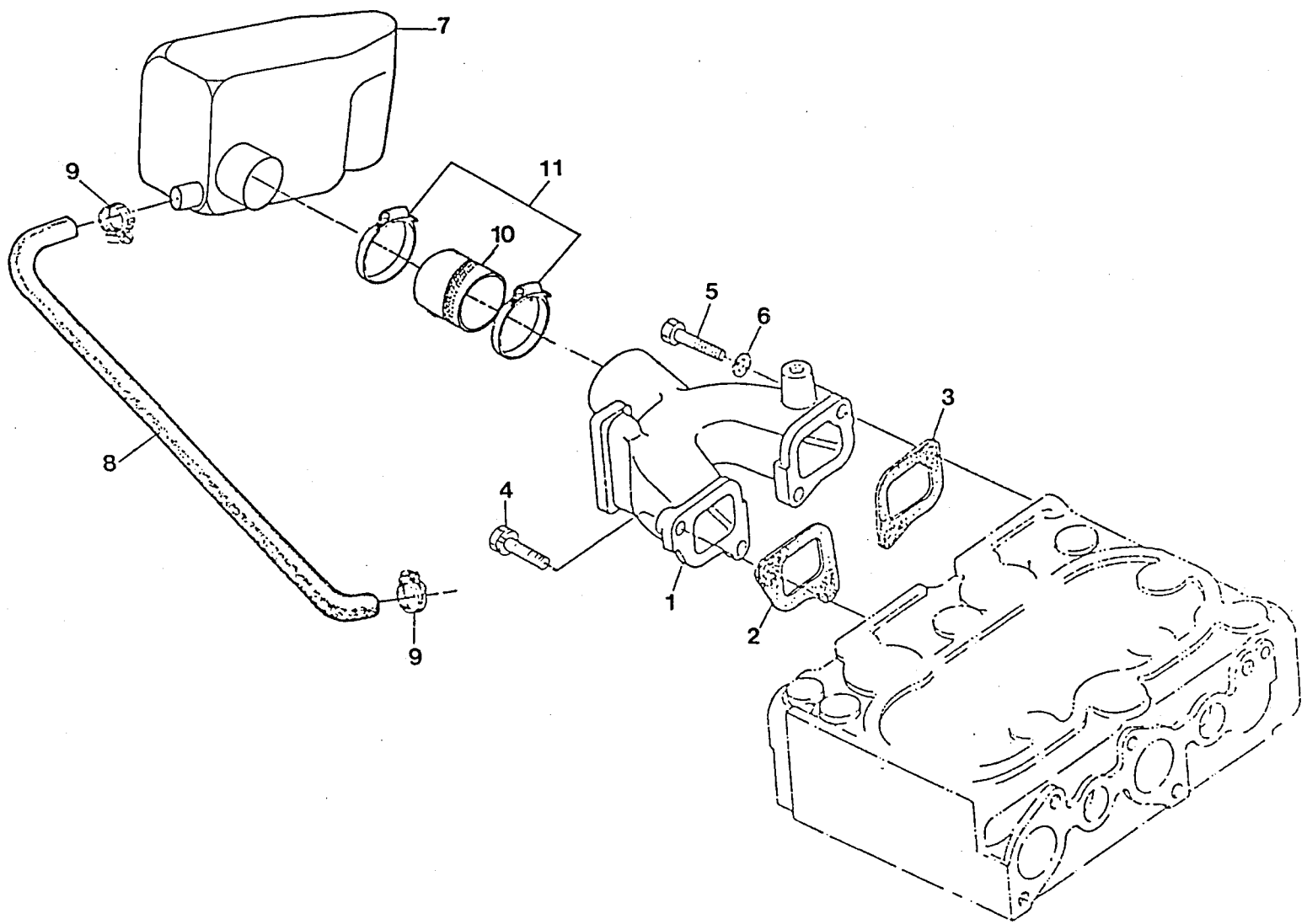
970 034 028

ENGINE TYPE
2.60H
DATE
23/10/87

GROUP DESCRIPTION	47.01	PAG.
SEA WATER PUMP		470102

51.00

510002



ITEM PART.N QTY D E S C R I P T I O N R E M A R K S I T E M P A R T . N Q T Y D E S C R I P T I O N R E M A R K S

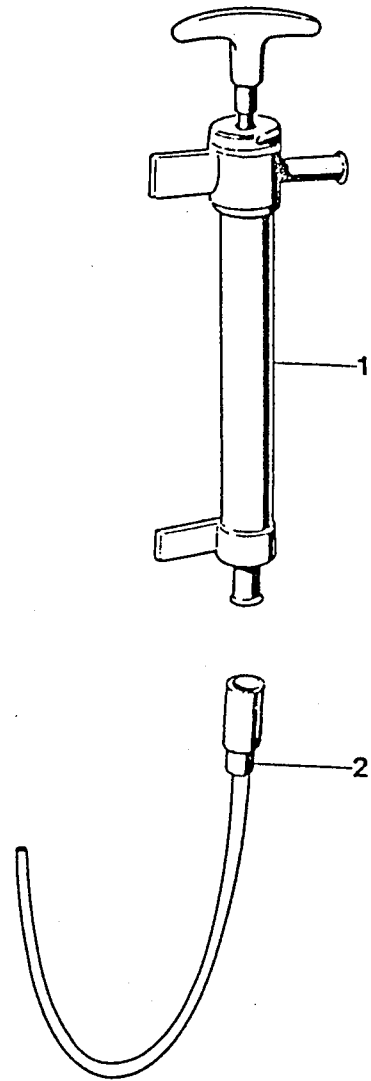
1 495101 1 MANIFOLD,INTAKE 2. 60
2 495102 1 GASKET,INTAKE MANIFOLD NO1
3 495103 1 GASKET,INTAKE MANIFOLD NO2
4 495104 3 BOLT
5 140207 1 BOLT,M 6X 50
6 490124 5 WASHER,SPRING D 6
7 301330 1 FILTER,AIR HF
8 496045 1 HOSE,CARTER DEAIR
9 439306 2 CLAMP,HOSE 15-24
10 301611 1 HOSE,AIR FILTER 2. 40-2.60/
11 301549 2 CLAMP,HOSE 38-50

! E N G I N E T Y P E !
! 2.60H !
! D A T E !
! 17/02/87 !

! G R O U P D E S C R I P T I O N 51.00 ! P A G . !
! I N T A K E M A N I F O L D ! 510002 !

60.00

60002



ITEM	PART.N	QTY	D E S C R I P T I O N	REMARKS	ITEM	PART.N	QTY	D E S C R I P T I O N	REMARKS
------	--------	-----	-----------------------	---------	------	--------	-----	-----------------------	---------

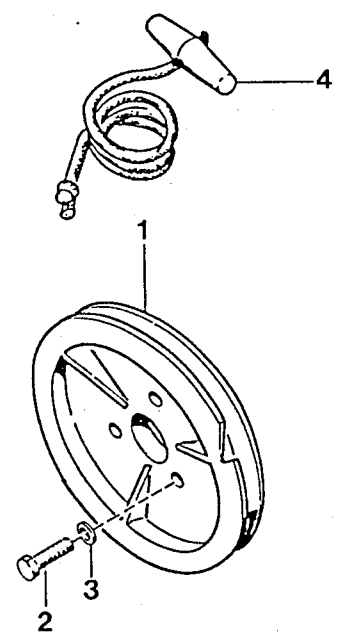
1	439302	1	PUMP,OIL EXTRACTION						
2	439304	1	HOSE,DRAIN PUMP						

ENGINE TYPE	2.60H
DATE	17/02/87

GROUP DESCRIPTION	60.00	PAG.
OIL EXTRACTION PUMP		600002

69.00

690002



ITEM	PART.N	QTY	D E S C R I P T I O N	REMARKS	ITEM	PART.N	QTY	D E S C R I P T I O N	REMARKS
------	--------	-----	-----------------------	---------	------	--------	-----	-----------------------	---------

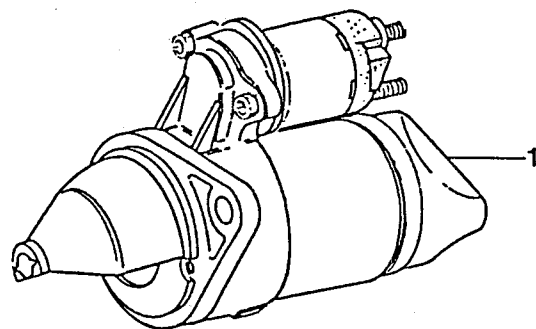
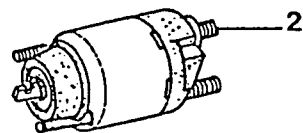
1	151704	1	PULLEY,2. 60-3. 90						
2	119141	3	BOLT,HEX M 8X 20						
3	119138	3	WASHER,SPRING D 8						
4	151705	1	ROPE,STARTER L=1150						

ENGINE TYPE	2.60H
DATE	17/02/87

GROUP DESCRIPTION	69.00	PAG.
MANUAL START		690002

70.00

700002



ITEM	PART.N	QTY	D E S C R I P T I O N	REMARKS	ITEM	PART.N	QTY	D E S C R I P T I O N	REMARKS
------	--------	-----	-----------------------	---------	------	--------	-----	-----------------------	---------

1	497303	1	STARTER, MOTOR 12V 0,8KW 1P						
2	497306	1	RELAIS, STARTER MOTOR 2.60-3						

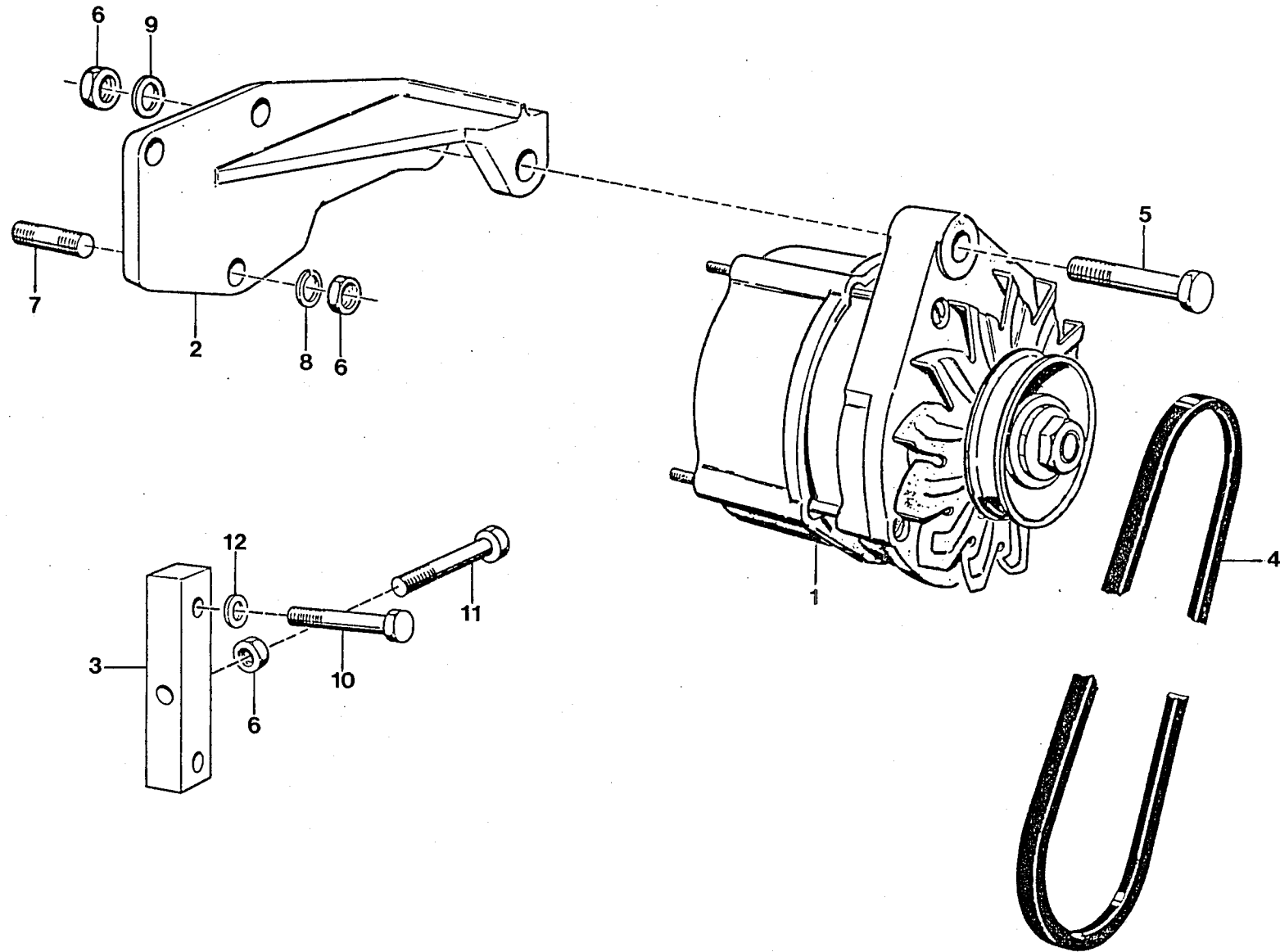
! ENGINE TYPE !
! 2.60H !

! DATE !
! 26/03/87 !

! GROUP DESCRIPTION	70.00	! PAG. !
! STARTER MOTOR		! 700002 !

73.00

730002

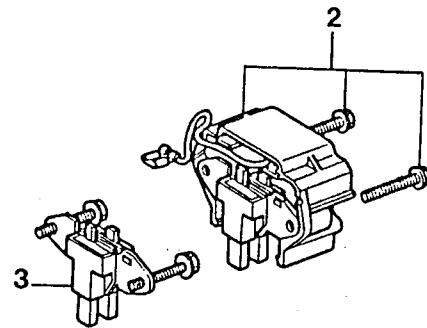
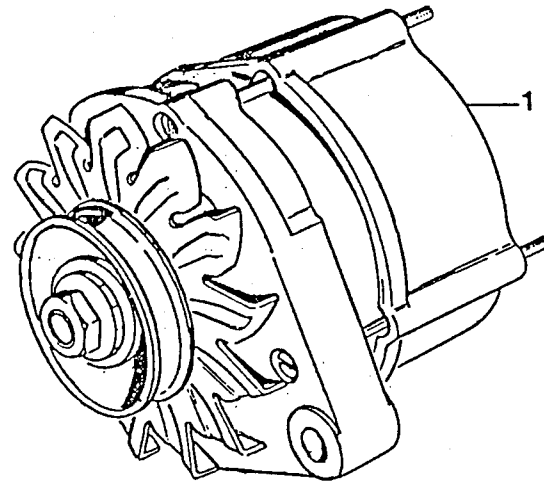


1	300565	1	ALTERNATOR, 14V-35A MOTOROLA
2	497313	1	SUPPORT, ALTERNATOR 2.60
3	497314	1	SUPPORT
4	404010	1	V-BELT, SPZ 710 LM
5	24025	1	BOLT, HEX M 8 X 85
6	639105	5	NUT, M 8 LOW
7	494519	3	STUD, M 8 X 24
8	119139	3	WASHER, CORRUGATED D 8
9	498007	1	WASHER, SPRING
10	497323	2	BOLT, HEX M 6 X 80
11	497321	1	BOLT, HEX M 8 X 45
12	119139	2	WASHER, CORRUGATED D 8

ITEM PART. N QTY D E S C R I P T I O N R E M A R K S

73.01

730102



ITEM PART.N QTY D E S C R I P T I O N

REMARKS

ITEM PART.N QTY D E S C R I P T I O N

REMARKS

1 300565 1 ALTERNATOR,14V-35A MOTOROLA
2 301761 1 REGULATOR,ALTERNATOR 14V-35
3 301700 1 HOLDER,CARBON BRUSH CPL.14V

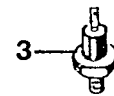
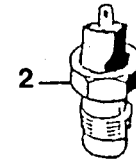
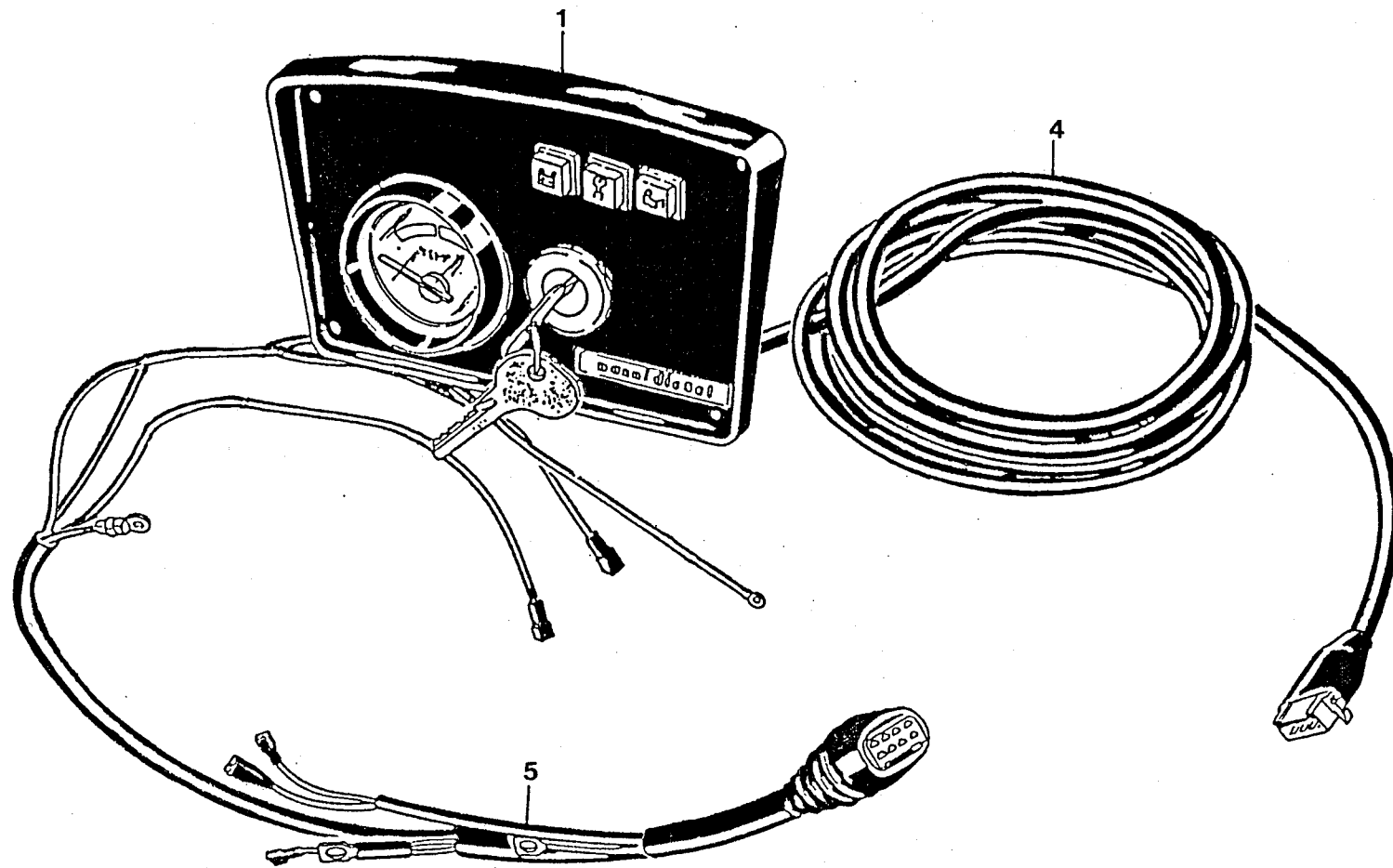
ENGINE TYPE
2.60H

DATE
22/10/87

GROUP DESCRIPTION 73.01 PAG.
ALTERNATOR SPARE PART 730102

74.00

740002



ITEM	PART.N	QTY	D E S C R I P T I O N	REMARKS	ITEM	PART.N	QTY	D E S C R I P T I O N	REMARKS
------	--------	-----	-----------------------	---------	------	--------	-----	-----------------------	---------

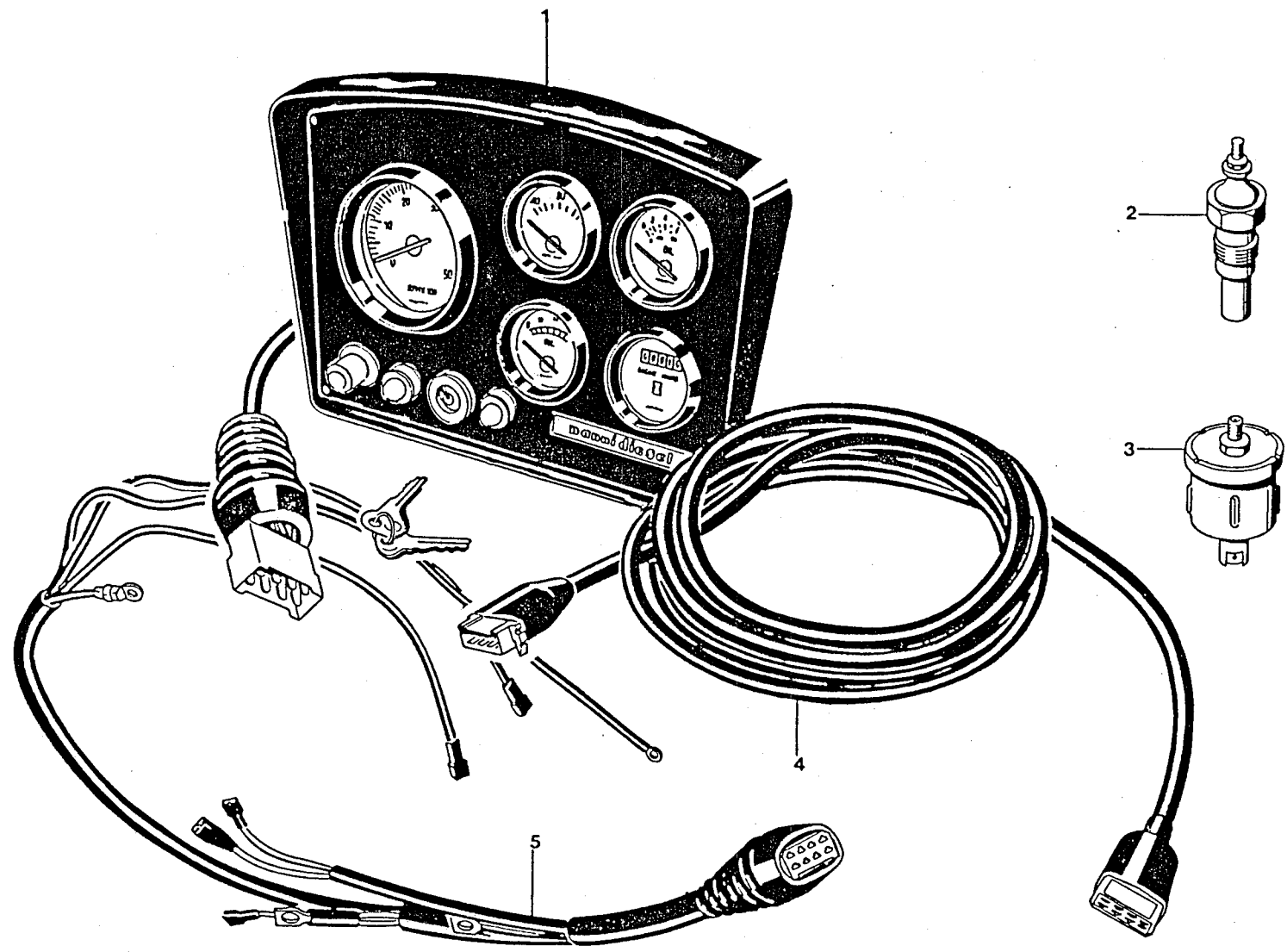
1	860305	1	PANEL,1 INSTRUMENT 70* CPL						
2	861602	1	TRANSM,YAZ,TEMP,120C,M14,1P						
3	851701	1	SWITCH,ASI,PRES,0,3B,M10,1P						
4	851402	1	WIRING,INTERMEDIATE (4 MTR						
5	851515	1	WIRING,ENGINE H-HE						

ENGINE TYPE	2.60H
DATE	27/02/87

GROUP DESCRIPTION	74.00	PAG.
INSTRUMENT PANEL STD		740002

74.01

740102



ITEM PART.N QTY D E S C R I P T I O N

REMARKS

ITEM PART.N QTY D E S C R I P T I O N

REMARKS

1 300420 1 PANEL,5 INSTRUMENTS 12V CPL
2 861602 1 TRANSM,YAZ,TEMP,120C,M14,1P
3 300428 1 TRANSM,YAZ,PRES, 6B,M10,1P
4 851405 1 WIRING,INTERMEDIATE (4 MTR
5 300394 1 WIRING,ENGINE 4.240-5.300/T

ENGINE TYPE
2.60H

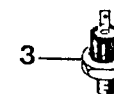
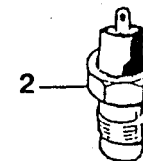
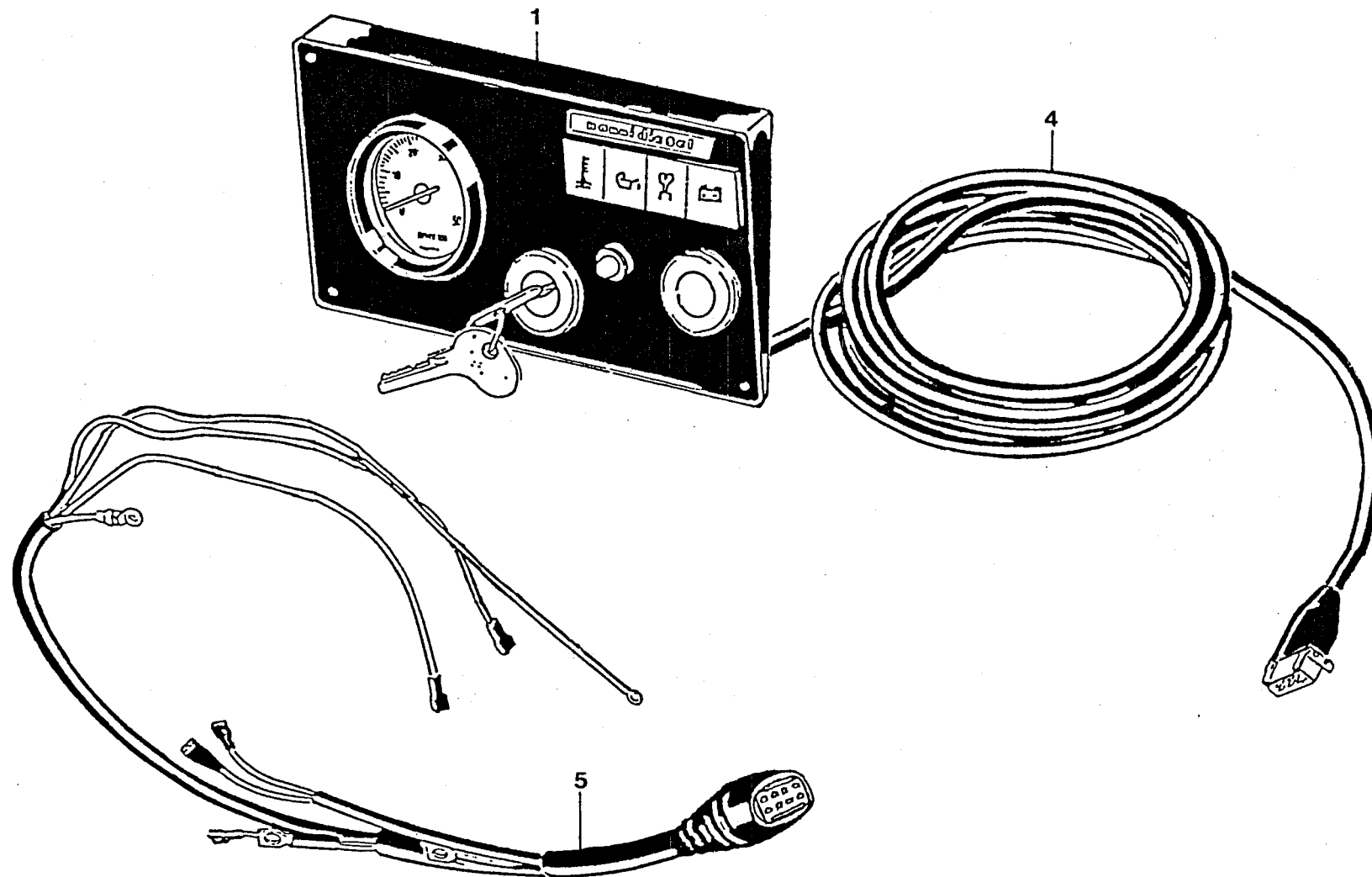
DATE
10/11/87

GROUP DESCRIPTION 74.01
INSTRUMENT PANEL LXP

PAG.
740102

74.02

740202



ITEM PART.N QTY D E S C R I P T I O N REMARKS ITEM PART.N QTY D E S C R I P T I O N REMARKS

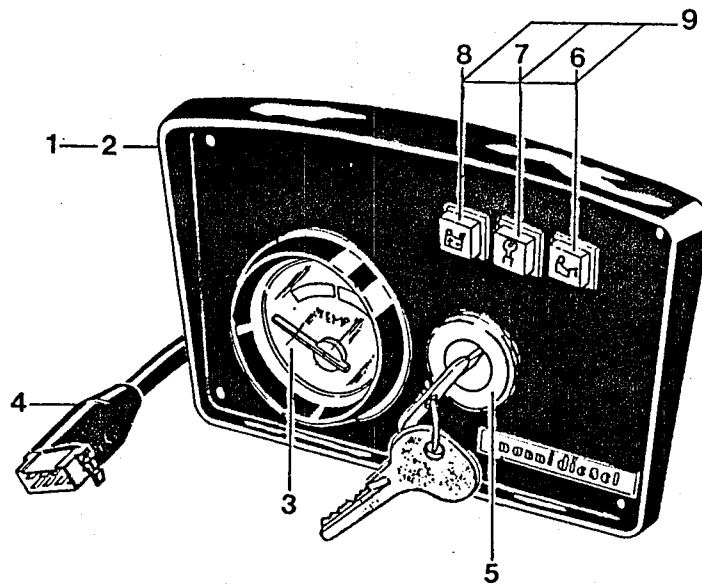
- 1 856000 1 PANEL,1 INSTRUMENT TACHO CP
- 2 851725 1 SWITCH,BOR,TEMP,107C,M16,1P
- 3 851701 1 SWITCH,ASI,PRES,0,3B,M10,1P
- 4 851402 1 WIRING,INTERMEDIATE (4 MTR
- 5 301376 1 WIRING,ENGINE HE

! |

! ENGINE TYPE !	! GROUP DESCRIPTION !	! 74.02 !	! PAG. !
! 2.60H !	! INSTRUMENT PANEL !	!	! 740202 !
! DATE !			
! 10/11/87 !			

75.00

750002



ITEM	PART.N	QTY	D E S C R I P T I O N	REMARKS	ITEM	PART.N	QTY	D E S C R I P T I O N	REMARKS
------	--------	-----	-----------------------	---------	------	--------	-----	-----------------------	---------

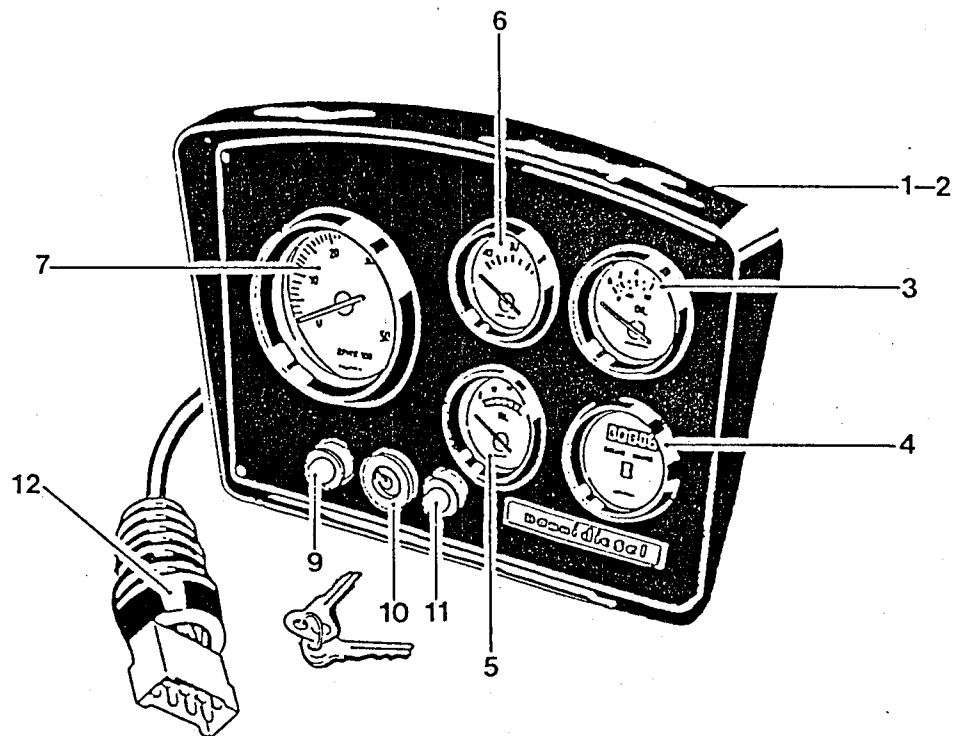
1	860305	1	PANEL,1 INSTRUMENT 70* CPL	!
2	850308	1	PLATE,PANEL 1 INSTRUMENT	!
3	860606	1	GAUGE,YAZ,TEMP,20- 70,12V,D	!
4	851302	1	WIRING,PANEL H-HE	!
5	850404	1	SWITCH,BOSCH STARTER + GLOW	!
6	850570	1	LIGHT,WARNING CPL.12V BATTE	!
7	850572	1	LIGHT,WARNING CPL.12V GLOWP	!
8	850571	1	LIGHT,WARNING CPL.12V-OIL-	!
9	850578	3	LAMP,MICRO 12V	!

ENGINE TYPE	2.60H
DATE	5/10/88

GROUP DESCRIPTION	75.00	PAG.
INSTRUMENT PANEL STD		750002

75.01

750102



 ITEM PART.N QTY D E S C R I P T I O N REMARKS ITEM PART.N QTY D E S C R I P T I O N REMARKS

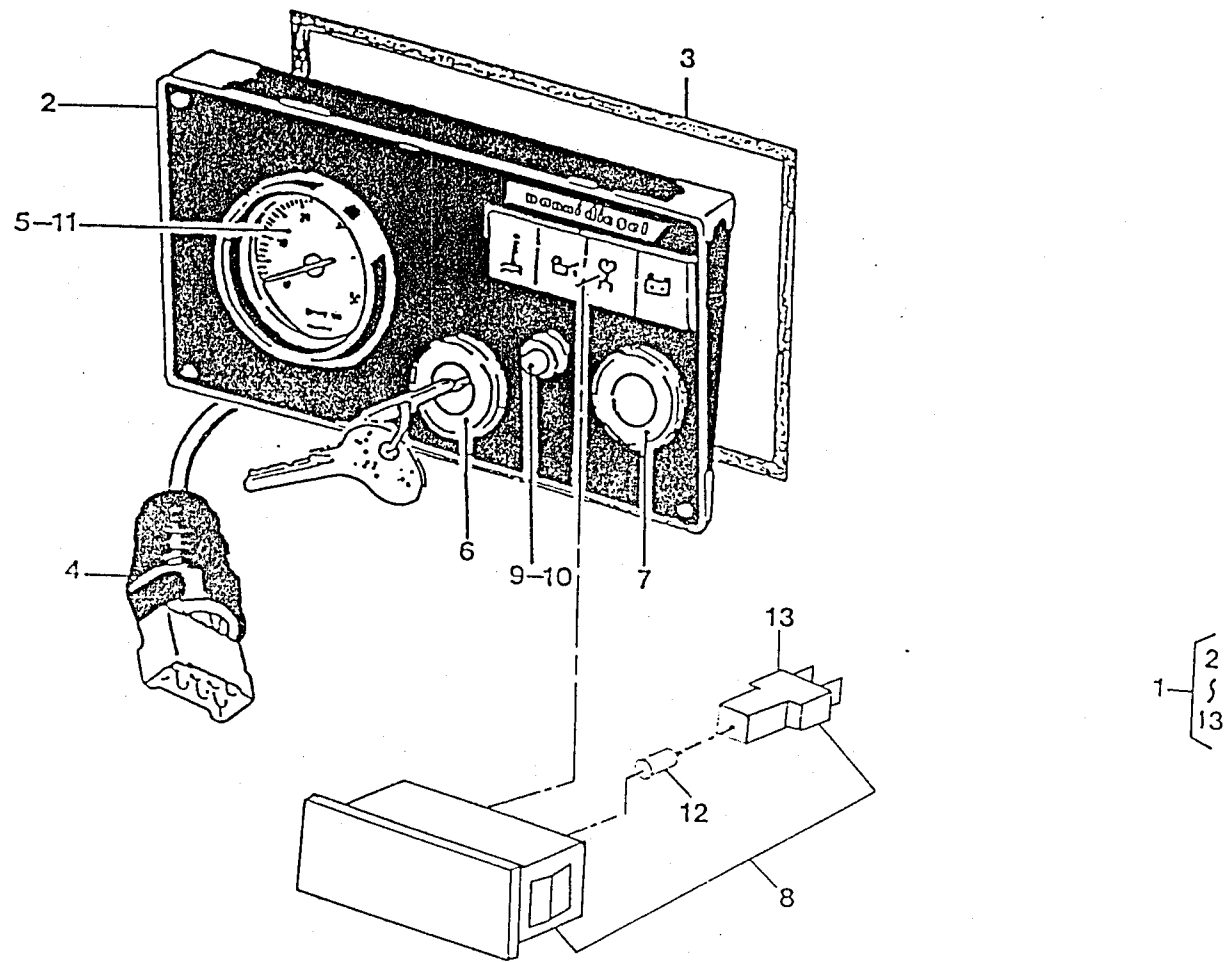
1	300420	1	PANEL,5 INSTRUMENTS 12V CPL	!
2	850309	1	PLATE,PANEL 5 INSTRUMENTS	!
3	300427	1	GAUGE,YAZ,PRES,0- 60,12V,D	!
4	861101	1	GAUGE,YAZ,HOUR,12V,1P,D 52	!
5	860801	1	GAUGE,YAZ,VOLT, 8-16,D 52	!
6	860606	1	GAUGE,YAZ,TEMP,20- 70,12V,D	!
7	861014	1	GAUGE,YAZ,TACH,5000,1P,D 85	!
8	850550	1	SWITCH,PULL	!
9	850560	1	LIGHT,WARNING CPL.-RED-	!
10	850404	1	SWITCH,BOSCH STARTER + GLOW	!
11	850561	1	LIGHT,WARNING CPL.-GREEN-	!
12	851305	1	WIRING,PANEL	!

! ENGINE TYPE !
 2.60H

 ! DATE !
 27/02/87

! GROUP DESCRIPTION 75.01 !
 ! INSTRUMENT PANEL LXP !

 ! PAG. !
 ! 750102 !



ITEM	PART.N	QTY	D E S C R I P T I O N	REMARKS	ITEM	PART.N	QTY	D E S C R I P T I O N	REMARKS
------	--------	-----	-----------------------	---------	------	--------	-----	-----------------------	---------

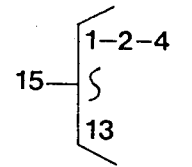
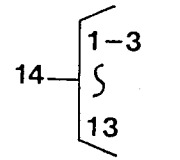
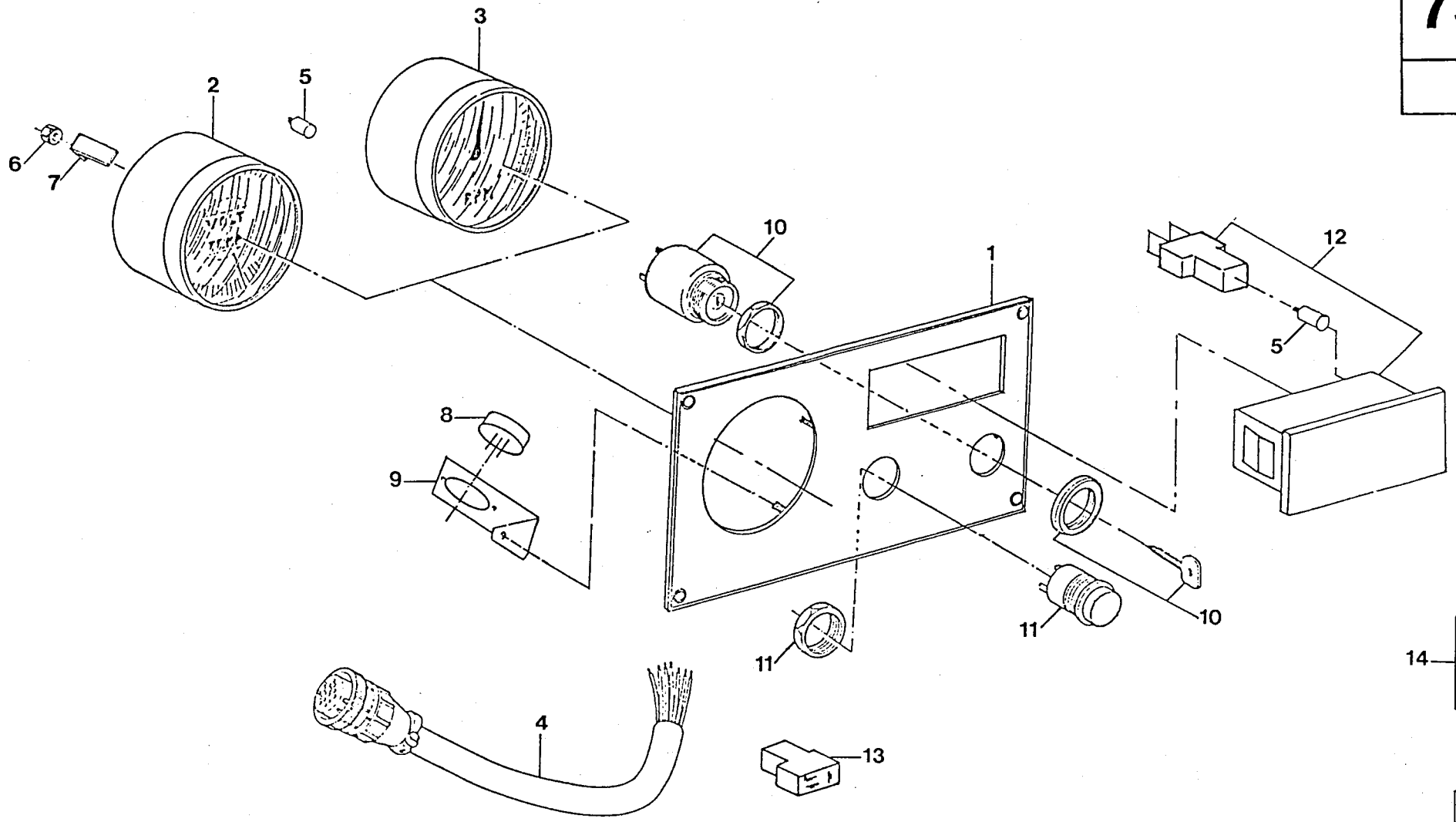
1	856000	1	PANEL,1 INSTRUMENT TACHO CP						
2	856009	1	PLATE,PANEL 856000						
3	856010	1	GASKET,PANEL 856000						
4	856002	1	WIRING,PANEL 856000						
5	856001	1	GAUGE,YAZ,TACH/HOUR,5000,1P						
6	850404	1	SWITCH,BOSCH STARTER + GLOW						
7	856004	1	BUZZER,SONITRON						
8	856005	1	LIGHT,WARNING OIL-BATT-GLOW						
9	856006	1	FUSE,5AMP						
10	856007	1	HOLDER,FUSE PANEL HE						
11	856008	1	LAMP,TACHO 12V-3W						
12	856011	1	LAMP,MICRO 12V-1,2W						
13	856012	1	HOLDER,WARNING LIGHTS						

ENGINE TYPE	2.60H
DATE	10/11/87

GROUP DESCRIPTION	75.02	PAG.
INSTRUMENT PANEL		750202

75.04

750402



ITEM PART.N QTY D E S C R I P T I O N REMARKS ITEM PART.N QTY D E S C R I P T I O N REMARKS

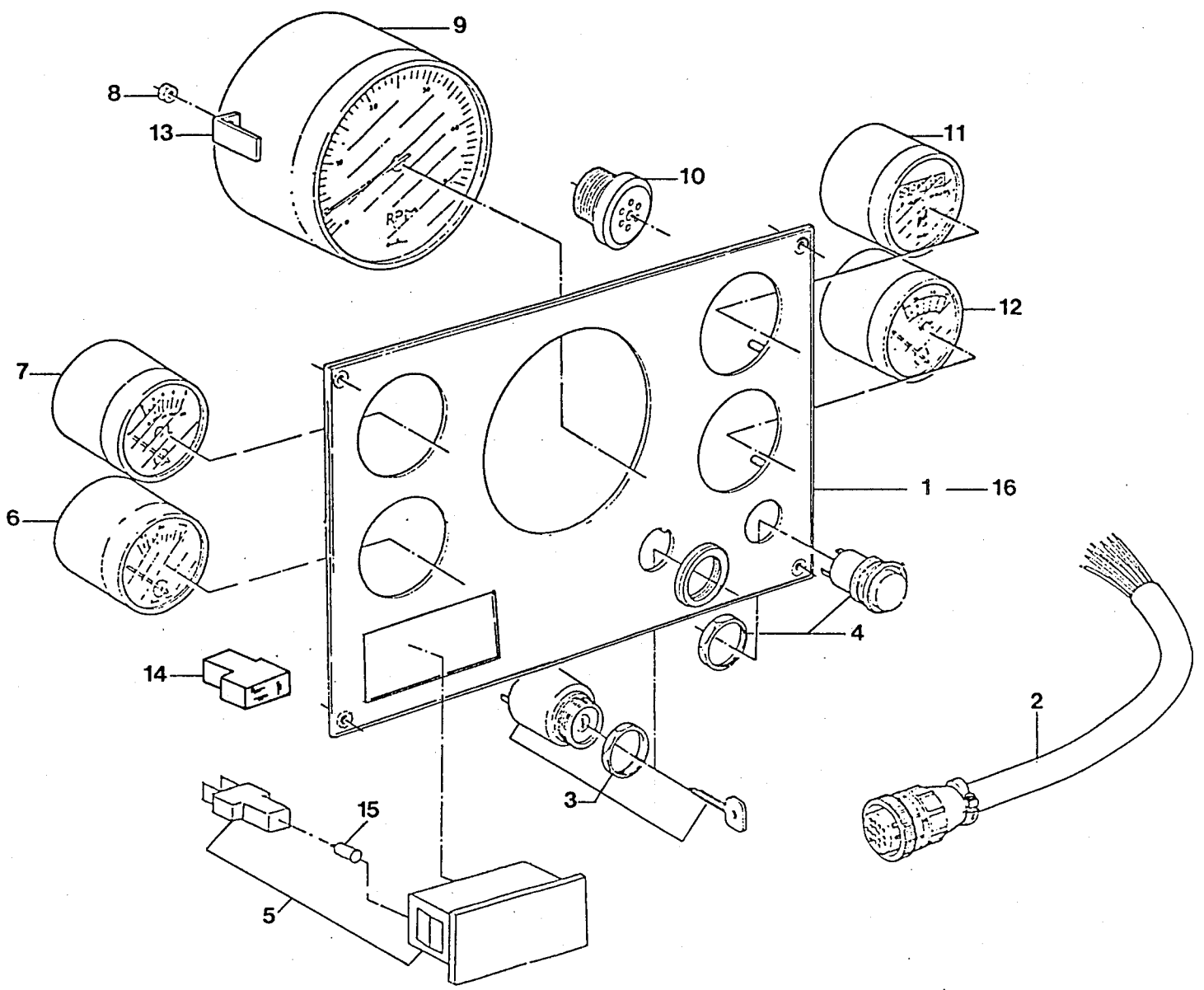
1 302214 1 PLATE,PANEL 1 INSTRUMENT !
 2 301662 1 GAUGE,VDO,TEMP/VOLT 40-120, !
 3 301642 1 GAUGE,VDO,TACH,4000 12-24V !
 4 302303 1 WIRING,PANEL 1 INSTRUMENT V !
 5 856011 4 LAMP,MICRO 12V-1,2W !
 6 301191 4 NUT,M 4 A2 !
 7 300920 4 CLAMP,INSTRUMENTS !
 8 302288 1 BUZZER,SONITRON SM-2B !
 9 302302 1 SUPPORT,BUZZER !
 10 300968 1 SWITCH,BOSCH,STARTER !
 11 300967 1 BUTTON,PUSH !
 12 856005 1 LIGHT,WARNING OIL-BATT-GLOW !
 13 301044 1 DIODE,HOLDER CPL.NEGATIVE - !
 14 302304 1 PANEL,1 INSTRU. TACHO CPL V 1-3 ↑13 !
 15 302305 1 PANEL,1 INSTR. TEMP/VOLT CP 1-2-4 ↑13 !

! ENGINE TYPE !
 ! 2.60H !
 ! DATE !
 ! 5/10/88 !

! GROUP DESCRIPTION 75.04 ! PAG. !
 ! INSTRUMENT PANEL STD ! 750402 !

75.05

750502



ITEM PART.N QTY D E S C R I P T I O N

REMARKS

ITEM PART.N QTY D E S C R I P T I O N

REMARKS

1	300790	1	PLATE, PANEL 5 INSTRUMENTS V				
2	300969	1	WIRING, PANEL 300941				
3	300968	1	SWITCH, BOSCH, STARTER				
4	300967	1	BUTTON, PUSH				
5	856005	1	LIGHT, WARNING OIL-BATT-GLOW				
6	850603	1	GAUGE, VDO, TEMP, 40-120, 12V, 2				
7	850705	1	GAUGE, VDO, PRES, 0- 5B, 12V, 1P				
8	301191	12	NUT, M 4 A2				
9	300745	1	GAUGE, VDO, TACH, 6000, 2P, D 85				
10	302288	1	BUZZER, SONITRON SM-2B				
11	300742	1	GAUGE, VDO, HOUR, 2P, D 52				
12	850801	1	GAUGE, VDO, VOLT, 8-16, D 52				
13	300920	12	CLAMP, INSTRUMENTS				
14	301046	1	DIODE, HOLDER CPL. NEGATIVE -				
15	856011	4	LAMP, MICRO 12V-1, 2W				
16	300054	1	PANEL, 5 INSTRUMENTS 12V CPL 1 ↑ 15				

ENGINE TYPE

2.60H

DATE

5/10/88

GROUP DESCRIPTION 75.05

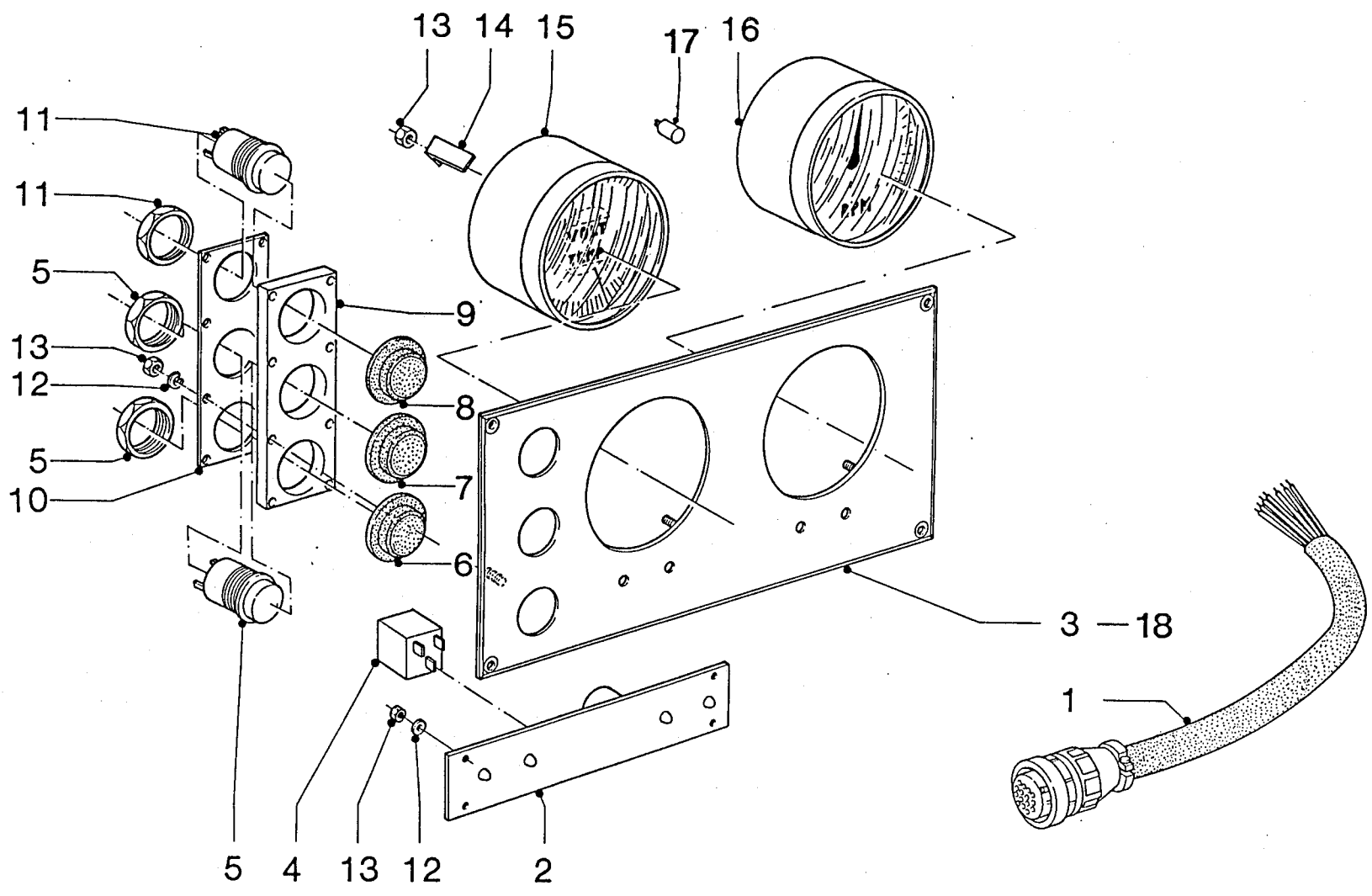
INSTRUMENT PANEL LXP

PAG.

750502

75.06

750602



ITEM	PART.N	QTY	D E S C R I P T I O N	REMARKS	ITEM	PART.N	QTY	D E S C R I P T I O N	REMARKS
------	--------	-----	-----------------------	---------	------	--------	-----	-----------------------	---------

1	301584	1	WIRING, PANEL 301550						
2	301712	1	WIRING, CIRCUIT PLATE						
3	301697	1	PLATE, PANEL 2 INSTRUMENTS						
4	301846	1	RELAIS, 12V-30A						
5	301576	2	BUTTON, PUSH -STOP/GLOW-						
6	301737	1	MEMBRANE, PUSH BUTTON -RED-						
7	301573	1	MEMBRANE, PUSH BUTTON -YELLOW						
8	301574	1	MEMBRANE, PUSH BUTTON -BLUE-						
9	301738	1	GASKET, PANEL 301697						
10	301739	1	SUPPORT, PANEL						
11	301575	1	BUTTON, PUSH -START-						
12	301192	18	WASHER, PLAIN D 4						
13	301191	18	NUT, M 4 A2						
14	300920	4	CLAMP, INSTRUMENTS						
15	301662	1	GAUGE, VDO, TEMP/VOLT 40-120,						
16	301642	1	GAUGE, VDO, TACH, 4000 12-24V						
17	301577	1	LAMP, MICRO 12V-2W						
18	301550	1	PANEL, 2 INSTRUMENTS 12V CPL 1 ↑ 16						

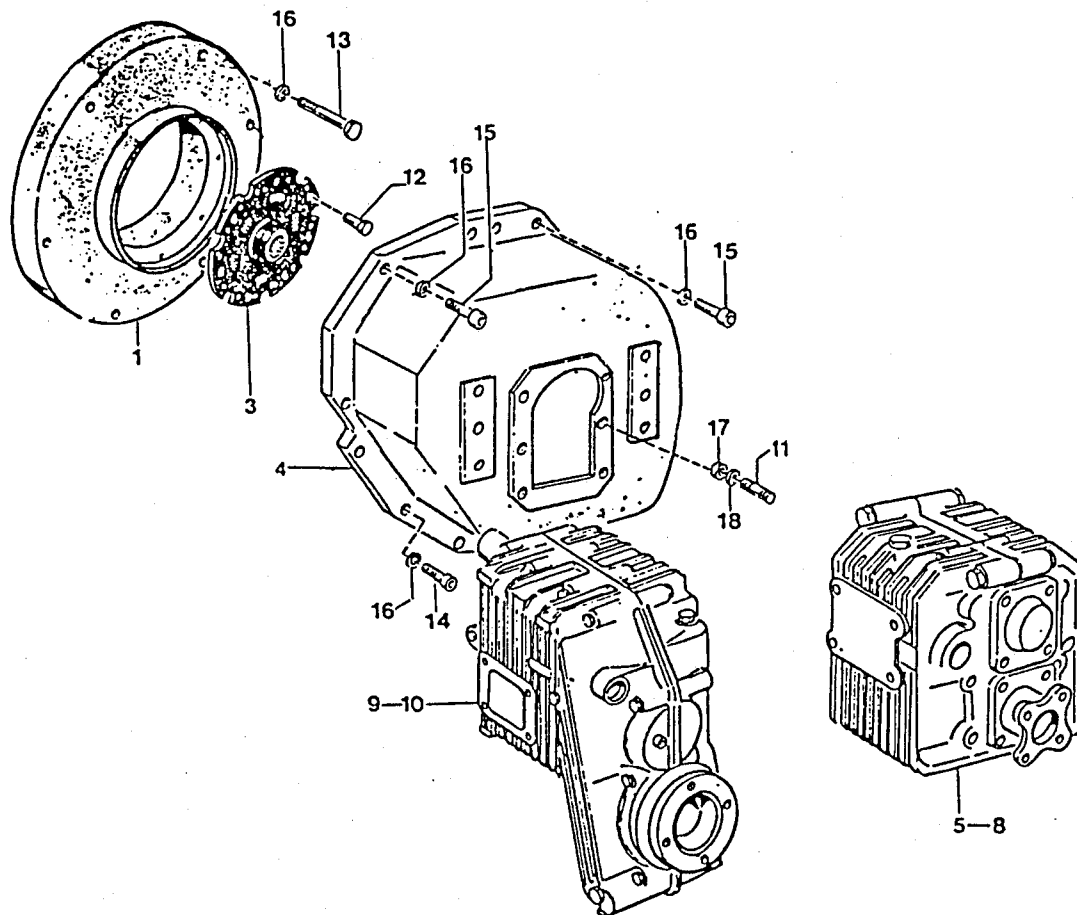
ENGINE TYPE	
2.60H	

DATE	
5/10/88	

GROUP DESCRIPTION	75.06	PAG.
INSTRUMENT PANEL		750602

80.00

800002



ITEM	PART.N	QTY	D E S C R I P T I O N	REMARKS	ITEM	PART.N	QTY	D E S C R I P T I O N	REMARKS
------	--------	-----	-----------------------	---------	------	--------	-----	-----------------------	---------

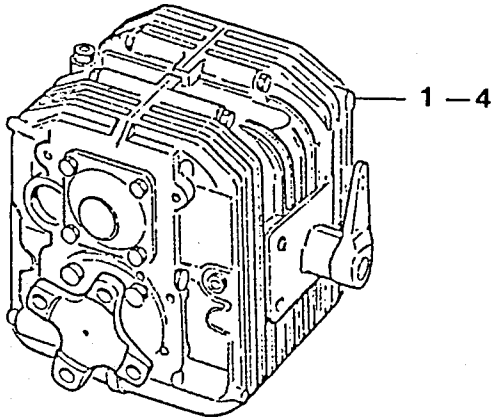
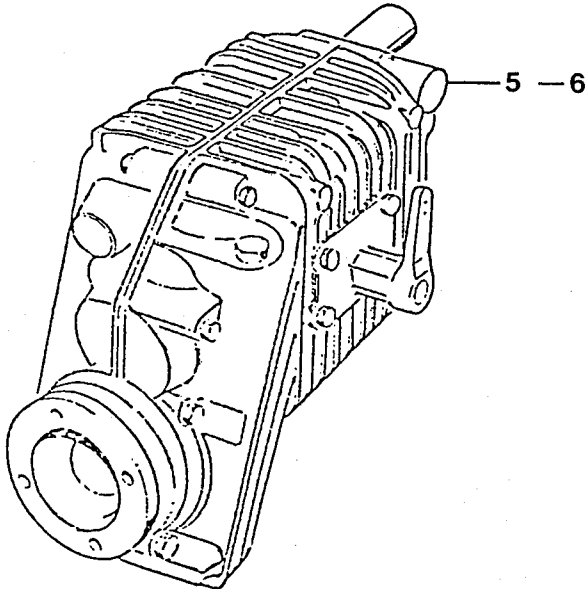
1	151701	1	SUPPORT, DAMPERPLATE 2.60 3.						
			*	ORDER 1					
3	776050	1	DAMPERPLATE, D100						
4	498001	1	HOUSING, FLYWHEEL H-HE						
5	776010	1	GEARBOX, HBW 50 -2,05R						
6	776009	1	GEARBOX, HBW 50 -2,72R						
7	776011	1	GEARBOX, HBW100 -1,79R						
8	776012	1	GEARBOX, HBW100 -2,72R						
9	776340	1	GEARBOX, HBW150V-2,13R						
10	776335	1	GEARBOX, HBW150V-2,99R						
11	498030	6	STUD, M 8X 35						
12	119147	8	BOLT, SOCK M 6X 12						
13	24016	6	BOLT, HEX M 8X 40						
14	119146	9	BOLT, SOCK M 8X 30						
15	635917	2	BOLT, SOCK M 8X 40						
16	119139	20	WASHER, CORRUGATED D 8						
17	27322	10	NUT, M 8						
18	119138	4	WASHER, SPRING D 8						

ENGINE TYPE	2.60H
DATE	27/03/86

GROUP DESCRIPTION	80.00	PAG.
FLYWHEEL - HOUSING		800002

82.00

820002



ITEM PART.N QTY D E S C R I P T I O N

REMARKS

ITEM PART.N QTY D E S C R I P T I O N

REMARKS

1 776010 1 GEARBOX,HBW 50 -2,05R
2 776009 1 GEARBOX,HBW 50 -2,72R
3 776011 1 GEARBOX,HBW100 -1,79R
4 776012 1 GEARBOX,HBW100 -2,72R
5 776340 1 GEARBOX,HBW150V-2,13R
6 776335 1 GEARBOX,HBW150V-2,99R

ENGINE TYPE

2.60H

DATE

18/02/87

GROUP DESCRIPTION

82.00

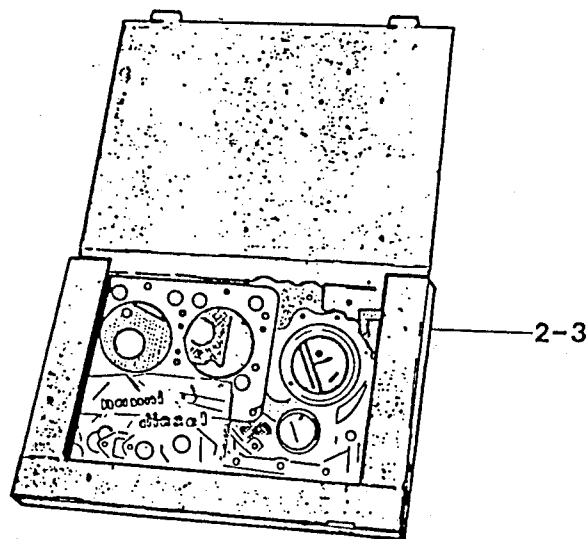
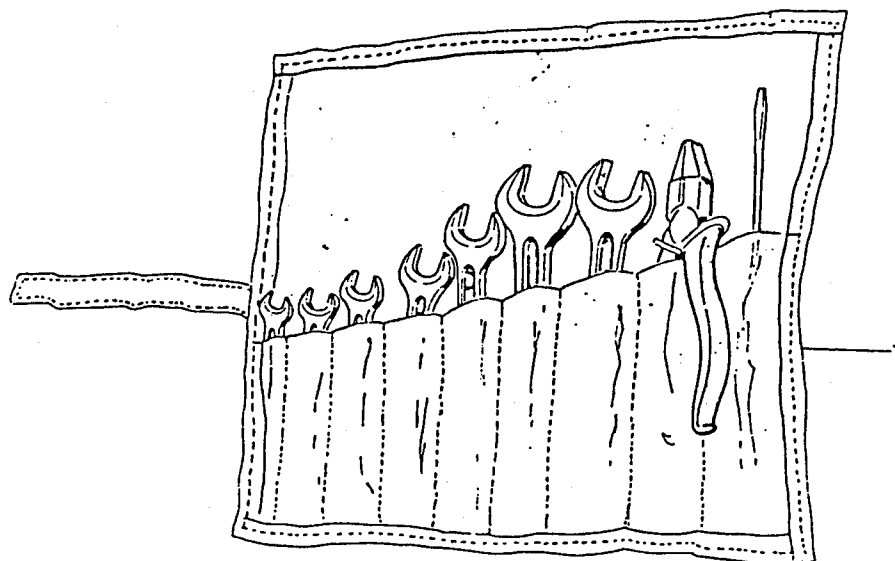
REVERSING GEAR

PAG.

820002

90.00

900002



ITEM PART.N QTY D E S C R I P T I O N

REMARKS

ITEM PART.N QTY D E S C R I P T I O N

REMARKS

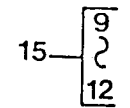
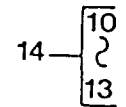
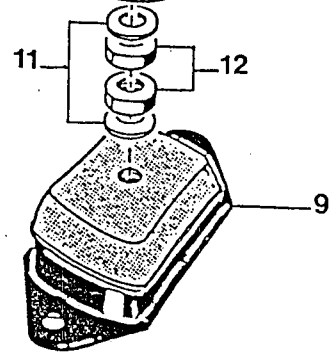
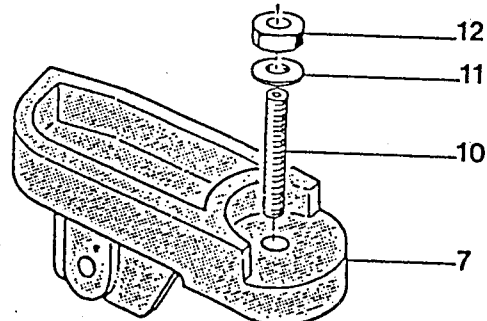
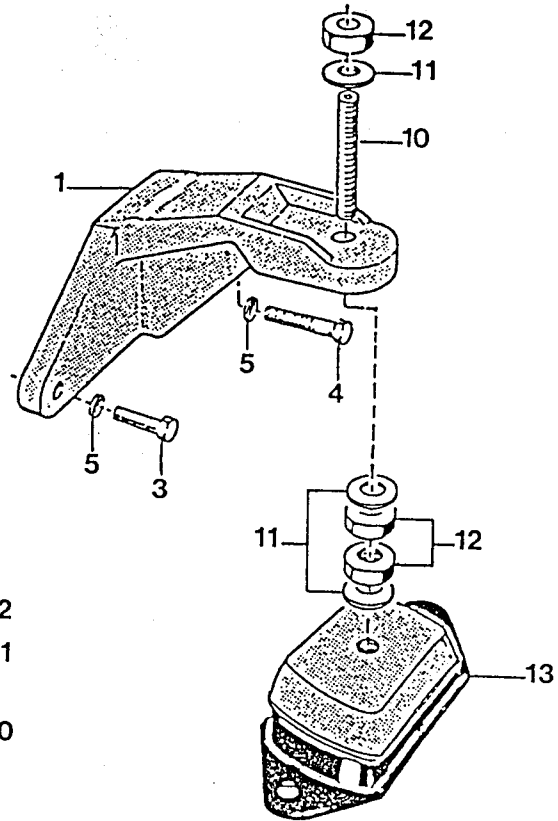
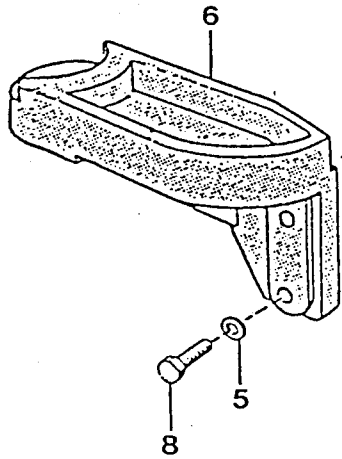
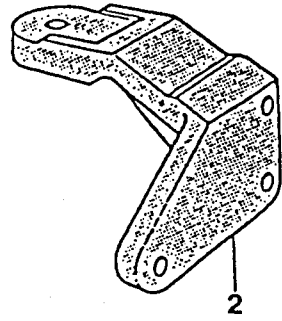
1 609901 1 KIT,TOOLS
2 159005 1 SET,GASKET ENGINE 2. 60H L
3 159004 1 SET,GASKET ENGINE 2. 60H U
4 159002 1 SET,GASKET MARINE 2. 60H
5 159001 1 KIT,GASKET ENG+MARINE 2. 60

! E N G I N E T Y P E !
! 2.60H !
! D A T E !
! 11/11/87 !

! G R O U P D E S C R I P T I O N 90.00 !
! T O O L S G A S K E T S E T !
! P A G . !
! 900002 !

91.00

910002



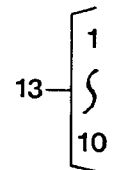
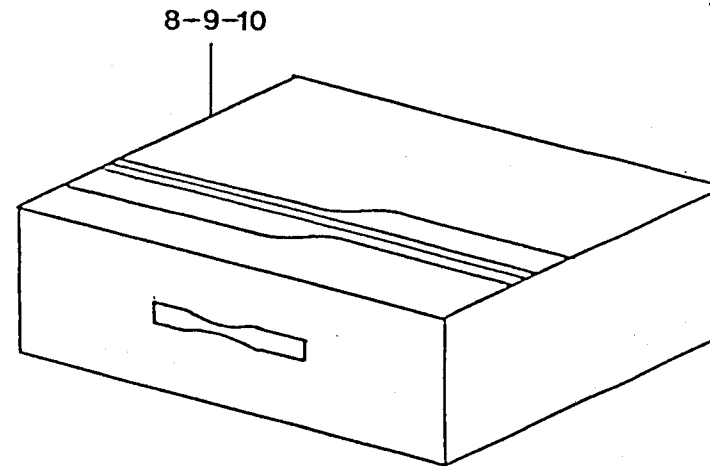
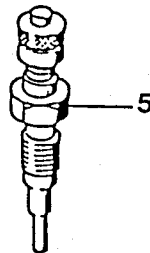
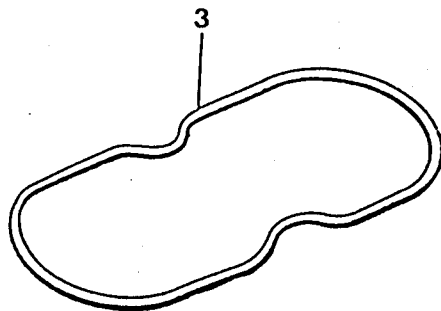
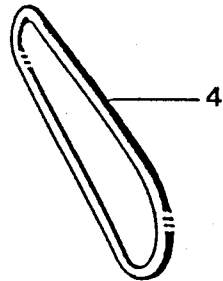
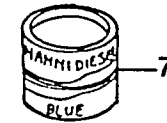
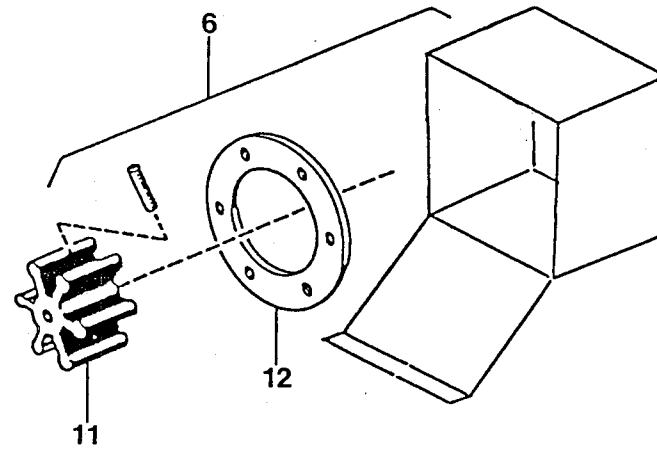
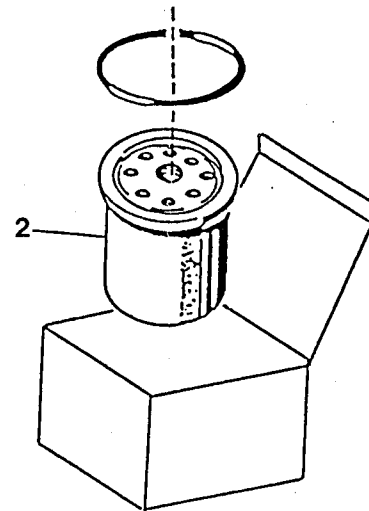
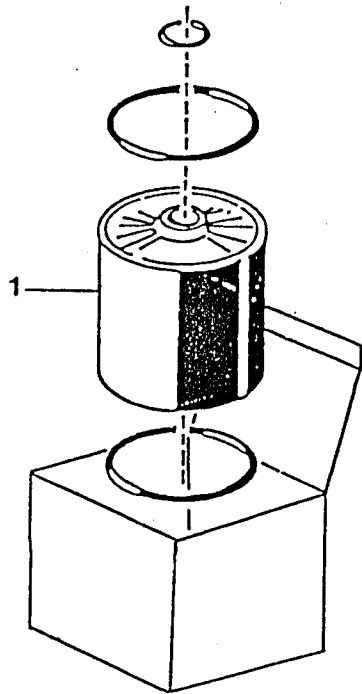
ITEM	PART.N	QTY	D E S C R I P T I O N	REMARKS	ITEM	PART.N	QTY	D E S C R I P T I O N	REMARKS
------	--------	-----	-----------------------	---------	------	--------	-----	-----------------------	---------

1	301281	2	SUPPORT, MOUNT 2.60 3.90 4.1						
			*		ITEM	1			!
3	499051	4	BOLT, HEX M10X1,25X 30						
4	649721	4	BOLT, HEX M10X 30						
5	119136	8	WASHER, SPRING D10						
6	499045	1	SUPPORT, MOUNT REAR L						
7	499044	1	SUPPORT, MOUNT REAR R						
			*		ITEM	4			!
9	300820	2	MOUNT, RUBBER 40X						
10	300051	4	STUD, M12X 80						
11	409153	12	WASHER, PLAIN D12						
12	607318	12	NUT, M12						
13	300722	2	MOUNT, RUBBER 45 SMALL						
14	301083	1	MOUNT, RUBBER CPL.45 SMALL		10	↑	13		!
15	301794	1	MOUNT, RUBBER CPL.40X		9	↑	12		!

! ENGINE TYPE !	! GROUP DESCRIPTION	91.00	! PAG. !
! 2.60H !	! ENGINE MOUNT		! 910002 !
! DATE !			
! 23/09/88 !			

95.00

950002



ITEM PART.N QTY D E S C R I P T I O N REMARKS ITEM PART.N QTY D E S C R I P T I O N REMARKS

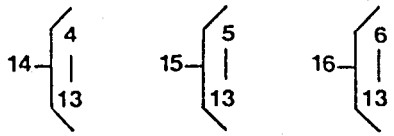
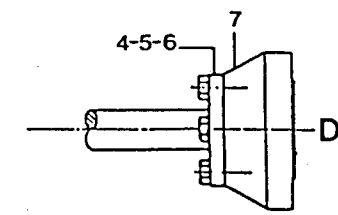
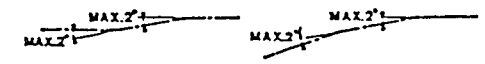
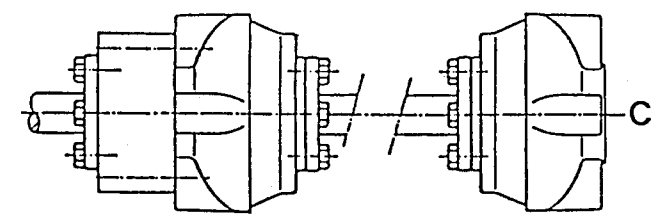
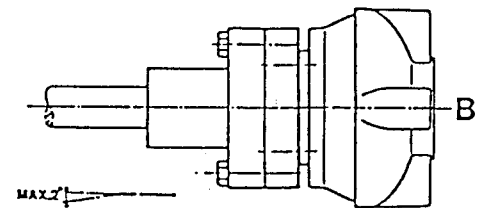
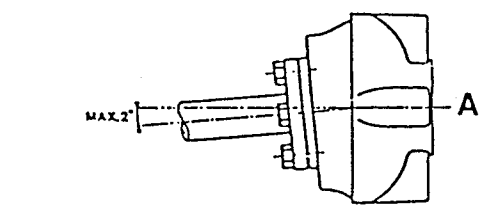
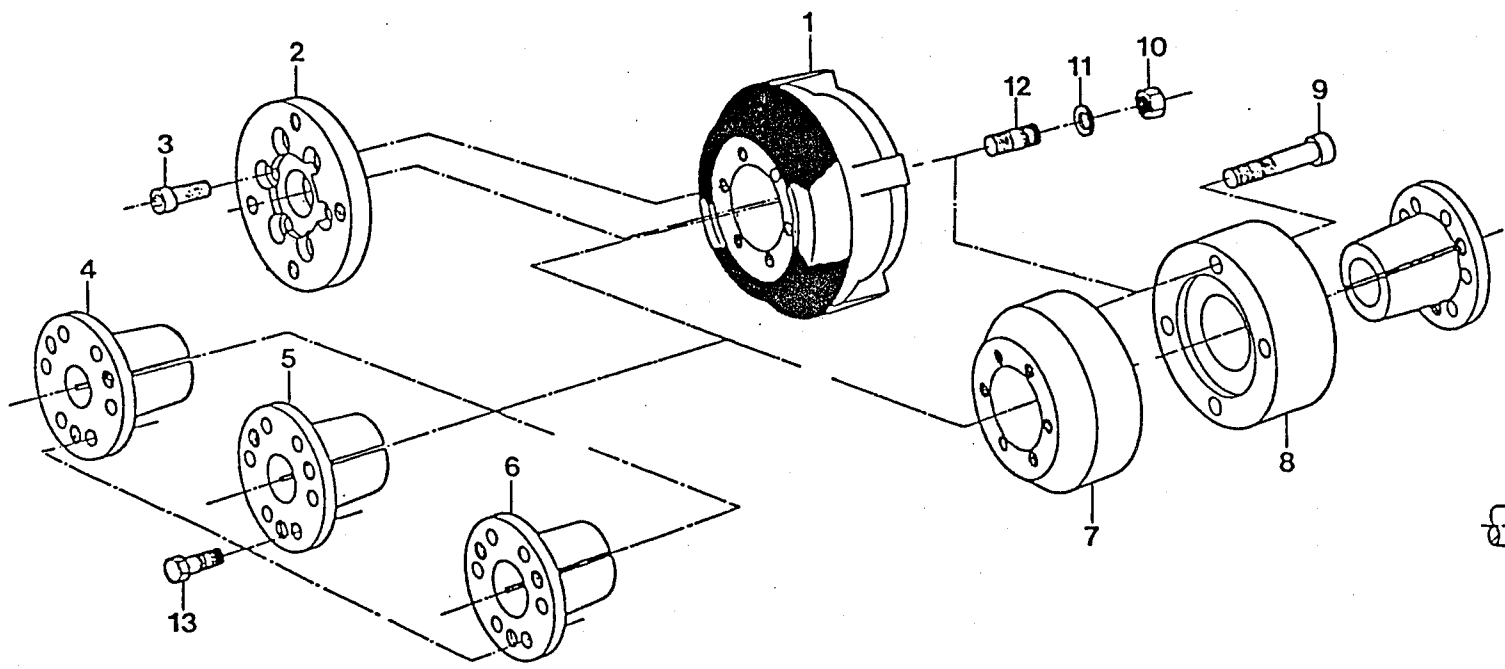
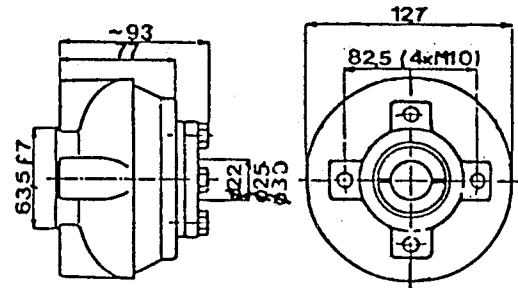
1	875102	1	FILTER,ELEMENT FUEL H-HE	
2	493150	1	FILTER,OIL	
3	490502	1	GASKET,COVER CYL:HEAD 2. 60	
4	434009	1	V-BELT,SPZ 737 LW	
5	152116	1	GLOWPLUG,H-HE	
6	34029	1	SET,IMPELLER 2.40HE 2.60H	
7	301521	1	PAINT,NANNI BLUE 125CC	
8	301354	1	CASE,SPARE PARTS	
9	301347	1	INSERT,CASE	
10	301348	1	INSERT,CASE BOTTOM	
11	34014	1	IMPELLER,WATER PUMP F35B D	
12	34028	1	GASKET,F35B	
13	301787	1	CASE,SPARE PARTS CPL.2. 60H	

ENGINE TYPE	2.60H
DATE	23/10/87

GROUP DESCRIPTION	95.00	PAG.
SPARE PARTS KIT		950002

96.00

960002



4" MAX.TORQUE 18 Kgm, 2,5HP/100 RPM


ITEM	PART.N	QTY	D E S C R I P T I O N	REMARKS	ITEM	PART.N	QTY	D E S C R I P T I O N	REMARKS
------	--------	-----	-----------------------	---------	------	--------	-----	-----------------------	---------

1	300733	1	COUPLING, FLEXCOP 4"						
2	300732	1	ADAPTOR, FLEXCOP 4"						
3	404012	6	BOLT, SOCK M 8X 25						
4	301226	1	CONE, CLAMPING 4" 22						
5	301104	1	CONE, CLAMPING 4" 25						
6	301105	1	CONE, CLAMPING 4" 30						
7	301222	1	COUPLING, RIGID -M-						
8	301221	1	COUPLING, RIGID -F-						
9	609157	4	BOLT, SOCK M10X 55						
10	119143	4	NUT, M10						
11	119136	4	WASHER, SPRING D10						
12	649723	4	STUD, M10X 20						
13	409603	6	BOLT, HEX M 8X 25						
14	301450	1	CONE, CLAMPING 4" 22 W/BOLTS						
15	301451	1	CONE, CLAMPING 4" 25 W/BOLTS						
16	301452	1	CONE, CLAMPING 4" 30 W/BOLTS						

ENGINE TYPE	2.60H
DATE	8/09/87

GROUP DESCRIPTION	96.00	PAG.
SHAFT COUPLING		960002

DESCRIPTION	GROUP NO.	DESCRIPTION	GROUP NO.	DESCRIPTION	GROUP NO.
CRANK CASE/CYLINDERS	01.00	SEA WATER PUMP	47.01		
OIL PAN - OIL PUMP	01.01	INTAKE MANIFOLD	51.00		
TIMING CASE	02.00	OIL EXTRACTION PUMP	60.00		
CYLINDER HEAD COVER	05.00	MANUAL START	69.00		
CYLINDER HEAD	09.00	STARTER MOTOR	70.00		
VALVES & SPRINGS	10.00	ALTERNATOR ASSY.STD.	73.00		
TIMING GEAR - CAMSHAFT	11.00	ALTERNATOR SPARE PARTS	73.01		
SPEED CONTROL	14.00	INSTRUMENT PANEL STD.	74.00		
DRIVE SPEED CONTROL	14.01	INSTRUMENT PANEL LXP.	74.01		
CRANKSHAFT PISTONS	15.00	INSTRUMENT PANEL	74.02		
CRANKSHAFT	15.01	INSTRUMENT PANEL STD.	75.00		
FLYWHEEL	17.00	INSTRUMENT PANEL LXP.	75.01		
FUEL FEED PUMP	20.00	INSTRUMENT PANEL	75.02		
INJECTION & FUEL FEED PUMP	21.00	INSTRUMENT PANEL STD.	75.04		
INJECTION PUMP	21.01	INSTRUMENT PANEL LXP.	75.05		
INJECTION LINES NOZZLES	22.00	INSTRUMENT PANEL	75.06		
NOZZLE HOLDER	22.01	FLYWHEEL HOUSING	80.00		
FUEL FILTER ASSY.	23.00	REVERSING GEAR	82.00		
OIL FILTER ASSY.	31.08	TOOLS - GASKET SET	90.00		
GROUP CIRCULATION	43.00	ENGINE MOUNT	91.00		
EXHAUST MANIFOLD	45.00	SPARE PARTS KIT	95.00		
SEA WATER PUMP ASSY.	47.00	SHAFT COUPLING	96.00		

INDEX 00.00		GROUP DESCRIPTION 00.00	000002
DATE	