



BF2D/BF2.3D Parts & Price Guide 2014

Written by the J&J Technical Team
Kevin Bell, Dan Hansen, Eric Hahl.

Manual Design & Layout
Eric Hahl

Models Covered:

Honda BF2D

Part No. 1-60-0361

FunParts Xpress
4897 Indian School Rd NE
Suite 150
Salem, OR 97305-1126

Toll Free Phone: 1-800-854-3140
Phone: 1-503-304-8899

Toll Free Fax: 1-800-366-7505
Fax: 1-503-304-1899

Also from FunParts Xpress
For parts description and pricing information see:
FPX Go-Kart Parts & Price Guide - Vol. 1

Visit our website for updated manuals (PDF Format)
www.jjamusements.com and www.funpartsexpress.com

About this guide

This aim of this manual is to help you and your maintenance team keep your BF2D equipped bumperboats in top condition.

This guide contains drawings, illustrations and photographs of parts and accessories for the Honda BF2D engines used in J&J gas powered Bumperboats.

Contents

Safety First	4
General Order and Shipment Policy	8
Ordering Information	10
To Place An Order:	10
Return Policy	10
PARTS	
Cylinder	12
Oil Case	13
Flywheel	14
Piston	15
Fan Cover	16
Engine Cover	17
Starter	18
Carburetor	19
Air Guide	20
Fuel Tank	21
Throttle	22
Exhaust	23
Extension	24
Shaft/Propellor	25
Crankshaft	26
Clutch	27
Camshaft	28
Crankcase	29
Decals	30
Special Tools	31
Fuel Tank	32
Pivot	33
Handlebars	34
Prop Guard	35
Fax Forms	36-38

Safety First

Proper service and repair procedures are vital to safe, reliable operation of Go-Karts and Bumper Boats as well as personal safety of those performing repairs. Refer to your Service Manual for servicing and repair information. Always use safe and effective methods. The Service Manual contains many NOTES, CAUTIONS and WARNINGS which should be followed along with standard safety procedures to eliminate the possibility of personal injury or improper service which could be damaging to your equipment or compromise its safety.

It is important to note that repair procedures, techniques, tools and parts for servicing Go-Karts and Bumper Boats as well as the skill and experience of the individual performing work vary widely. It is not possible to anticipate all conceivable ways or conditions under which Go-Karts and Bumper Boats may be serviced or to provide cautions to all possible hazards that may result. Standard precautions should be used when handling toxic or flammable fluids, and safety goggles or other protection should be used during cutting, grinding, chiseling, prying or any other process that can cause material removal or projectiles. J&J recommends use of safety goggles or approved glasses during all servicing.

All information contained in this Parts Guide is based on the latest product information and prices available at time of printing. We reserve the right to make changes at any time without notice. No part of this publication may be reproduced, stored in a retrieval system or transmitted, in any form by any means, electronic, mechanical, photocopying, recording, or otherwise, without the prior written permission of J&J Amusements, Inc. A Corporation of Oregon and Funparts Xpress. This includes text, figures and tables.

BEFORE SERVING

To eliminate unnecessary work, careful reading of the applicable section is recommended before starting to service a bumperboat. Photographs, diagrams, notes, cautions, warnings, and detailed descriptions have been included wherever necessary. Nevertheless, even a detailed account has limitations, a certain amount of basic knowledge is also required for successful work.

Especially note the following:

Dirt

Before removal and disassembly, clean the bumperboat. Any dirt entering the engine or other parts will work as an abrasive and shorten the life. For the same reason, before installing a new part, clean off any dust or metal filings.

Tightening Sequence

Generally, when installing a part with several bolts, nuts or screws, start them all in their holes and tighten them to a snug fit. Then tighten them evenly in a cross pattern. This is to avoid distortion of the part and/or causing gas or oil leakage. Conversely when loosening the bolts, nuts or screws, first loosen all of them by about a quarter of turn and then remove them. Where there is a tightening sequence indication in this Service Manual, the bolts, nuts or screws must be tightened in the order and method indicated.

Torque

When torque values are given in this Service Manual, use them. Either too little or too much torque may lead to serious damage. Use a good quality, reliable torque wrench.

Force

Common sense should dictate how much force is necessary in assembly and disassembly. If a part seems especially difficult to remove or install, stop and examine what may be causing the problem. Whenever tapping is necessary, tap lightly using a wooden or plastic-faced mallet. Use an impact driver for screws (particularly for the removal of screws held by a locking agent) in order to avoid damaging the screw heads. It also may be necessary to apply heat to some parts held with locking compound.

Edges

Watch for sharp edges, especially during major engine disassembly and assembly. Protect your hands with gloves or a piece of thick cloth when lifting the engine or turning it over.

High-Flash Point Solvent

A high- flash point solvent is recommended to reduce fire danger. A commercial solvent commonly available in North America is Stoddard solvent (generic name). Always follow manufacturer and container directions regarding the use of any solvent.

Gasket, O-Ring

Do not reuse a gasket or O-ring once it has been in service. The mating surfaces around the gasket should be free of foreign matter and perfectly smooth to avoid oil or compression leaks.

Liquid Gasket, Non-Permanent Locking Agent

Follow manufacturer's directions for cleaning and preparing surfaces where these compounds will be used. Apply sparingly. Excessive amounts may block engine oil passages and cause serious damage. An example of a non-permanent locking agent commonly available in North America is Loctite® Lock'n Seal (Blue).

Press

A part installed using a press or driver, such as a wheel bearing, should first be coated with oil on its outer or inner circumference so that it will go into place smoothly.

Oil Seal and Grease Seal

Replace any oil or grease seals that were removed with new ones since removal generally damages seals. When pressing in a seal which has manufacturer's marks, press it in with the marks facing out. Seals should be pressed into place using a suitable driver, which contacts evenly with the side of the seal, until the face of the seal is even with the end of the hole. Always use assembly oil or grease on lip (sealing edge) of any seal prior to assembly.

Circlip, Retaining Ring

Replace any circlips and retaining rings that were removed with new ones, as removal weakens and deforms them. When installing circlips and retaining rings, take care to compress or expand them only enough to install them and no more.

Cotter Pin

Replace any cotter pins that were removed with new ones since removal deforms and breaks them.

Lubrication

Engine wear is generally at its maximum while the engine is warming up and before all rubbing surfaces have an adequate lubricative film. During assembly, oil or grease (whichever is more suitable) should be applied to any rubbing surface which has lost its lubricating film. Old grease and dirty oil should be cleaned off. Deteriorated grease has lost its lubricating quality and may contain abrasive foreign particles.

Do not use just any oil or grease. Some oils and greases in particular should be used only in certain applications and may be harmful if used in an application for which they are not intended. This manual makes reference to molybdenum disulfide grease (MoS₂) in the assembly of certain engine and chassis parts. Always check manufacturer recommendations before using such special lubricants.

Replacement Parts

When there is a replacement instruction, replace these parts with new ones every time they are removed. These replacement parts will be damaged or lose their original function once removed.

Inspection

When parts have been disassembled, visually inspect these parts for following conditions or other damage. If there is any doubt as to condition of them, replace them with new ones.

Abrasion	Crack	Hardening	Warp
Bent	Dent	Scratch	Wear
Color change	Deterioration	Seizure	

Specifications

Specification terms are defined as follows:

“Standards”: Show dimensions or performances which brand-new parts or systems have.

“Service Limits”: Indicate the usable limits. If measurement shows excessive wear or deteriorated performance, replace the damaged parts.

Factory Service Manuals available.



Fpx#	Description	Price
6142129	Manual, Shop 61ZW600 (BF2D)	\$62.99

General Order and Shipment Policy

J&J Amusements, Inc. appreciates our customers. We will do our best to provide quality parts and service. Your business is important to us so we want you to fully understand our policy guidelines. Remember they are only guidelines: questions, suggestions and even complaints are always welcome.

NEW ACCOUNTS: New accounts are welcome! Open account terms are available to customers upon credit approval. Contact us for a credit application. Please be sure to furnish accurate, complete, year round mailing and shipping addresses and phone numbers. Credit approval takes approximately 2 weeks.

OPEN ACCOUNT TERMS: Customers with approved credit applications are allowed net prices as long as payment is received within 30 days of invoice date. A late fee of 1 1/2% per month will be assessed to the balance on any past due invoice. In addition, if your account is 60 days past due can be placed on CREDIT HOLD UNTIL PAST DUE BALANCE IS RESOLVED.

VISA, MASTERCARD, DISCOVER, AMERICAN EXPRESS: For your convenience we accept VISA, MasterCard and American Express. We never charge your credit card until we ship your order.

BANK WIRE: Please contact us for Bank Wiring instructions.
E-mail: Accounting@jjamusements.com

ORDERING: It is important to order all parts by correct part number. This will speed your order and help eliminate errors. You may phone, fax or e-mail your orders.

Phone orders 1-800-854-3140 International orders call 1-503-304-8899

Fax orders 1-800-366-7505 International orders call 1-503-304-1899. To ensure accuracy, fax form in the back of this book must be filled out completely with customer number, bill to, ship to, phone number and shipping (ground, 2nd day, overnight, overnight Saturday, or truck line). Every line item must have the part number, quantity and description clearly printed.

E-Mail Orders: parts@funpartsxpress.com

Use our Online E-Mail Parts Order Form, e-mail directly to J&J: parts@funpartsxpress.com

HOURS: Business hours are 8:00am to 4:30pm Pacific Time Monday thru Friday. Fax and e-mail orders can be received 24 hours a day.

PRICES: J&J Amusements, Inc. makes every effort to offer competitive prices and to maintain pricing for the life of the annual catalog. In some cases, price adjustments must be made and J&J Amusements, Inc. reserves the right to change pricing without notice.

BACK ORDERS: Back orders are shipped automatically with the same terms as the original order. Back orders will be shipped ASAP unless you elect to batch all back orders for periodic shipment or cancel all back orders. You must notify J&J Amusements, Inc. in writing if you wish to utilize either of the above options.

SHIPPING: We will endeavor to ship all orders same day and do our best to follow your special shipping instructions. We normally ship orders under 150 lbs. by UPS. Larger orders will be shipped by freight lines.

COD SHIPMENT: Large orders shipped COD will be divided into two or more cartons. The total COD amount will be pro-rated by value of each carton's contents. COD orders of \$1,000 or more are shipped cashiers check only. COD charge per box is \$9.00.

REFUSED COD SHIPMENTS: Our FULL restocking fee plus freight both ways, will be charged to your next order if you refuse a COD shipment.

BAD CHECKS: Any account having a returned check (for any reason) will be placed on COD cash only. To avoid legal action, the check must be redeemed by a certified check or bank money order and all returned checks will be charged a \$25.00 fee. If legal action is necessary, the customer will be responsible for all charges incurred in collection.

URGENT PART ORDERS: UPO's should be submitted only when fastest service is required to provide individual customer satisfaction. UPO's are given highest priority handling by J&J Amusements, Inc. This order method should not be used for stocking purposes. All extra shipping and handling charges incurred will be charged to customer.

SHORTAGES: Must be reported at the time the package is opened - NO EXCEPTIONS. All orders are checked for accuracy after picking and are weighed to 1/10th of an ounce to give us three ways of checking.

HIDDEN DAMAGE: Must be reported at the time the package is opened - NO EXCEPTIONS. ALL BOXES AND PACKING MUST BE SAVED to receive credit for damages. We will pay shipping charges.

FREIGHT DAMAGE: If packages delivered by freight carrier arrive in broken or mutilated boxes or if shipments are incomplete, be sure the driver notes on your bill of lading. Claims against freight carriers are made by the recipient, not J&J Amusements, Inc..

RETURNED GOODS POLICY: A Return Merchandise Authorization (RMA#) is required for all returns. NO EXCEPTIONS. The RMA# must be displayed on exterior of return shipping carton. Only items authorized (listed) on RMA# may be returned. Obsolete and discontinued merchandise cannot be returned (current merchandise is that which appears in current annual catalog/price book). A 15% restocking fee will be charged on all returns, except for errors made by J&J Amusements, Inc. Freight will be paid by customer except for shipping errors caused by J&J Amusements, Inc. Returned merchandise must be in good resale condition, in original J&J Amusements, Inc. package (where applicable) and cannot be altered with customer labels, stickers, numbers etc.. Returned goods which do not have an RMA# will be refused.

WARRANTY RETURN POLICY: All warranty item returns must be authorized by the Warranty Department and have an assigned RMA# before any adjustment or credit will be given. The RMA# must appear next to the shipping label on all returned items for proper credit to be issued. All credits issued will be applied fo future purchases

TAXES: Prices in this book do not include your state, local, or other applicable sales taxes or any other taxes that may be required. The purchaser is responsible for all tax associated with purchasing goods and must take all steps required to pay directly all taxes due.

DOUBLE CHECK ALL PART NUMBERS AND DESCRIPTIONS BEFORE PLACING ORDER
Please call or e-mail us at parts@funpartsexpress.com, Toll Free at 1-800-854-3140 or 1-503-304-8899 for assistance.

Ordering Information

To Place An Order:

J&J & FPX makes it easy to place your order anytime. Send us a fax, e-mail or give us a call. All orders receive immediate attention and ship straight to your facility.

If you fax your order, it's very important to order all parts by correct part number. This will speed your order and help eliminate errors. You may phone your order using our toll free number, 1-800-854-3140 or fax your order to 1-800-366-7505. For customers outside the US, call 503-304-8899 or fax 503-304-1899. E-Mail, our address is parts@funpartsxpress.com

****NOTE ON FAX ORDERS:** Fax forms in the back of this book must be filled out completely with customer number, bill to, ship to, phone number and shipping (ground, 2nd day, overnight, overnight Saturday). Every line item must have the part number, quantity and description.

Office Hours

Our offices are open to receive phone orders

Pacific	8:00am to 4:30pm
Mountain	9:00am to 5:30pm
Central	10:00am to 6:30pm
Eastern	11:00am to 7:30pm
Greenwich	4:00pm to 12:30am
Geneva	5:00pm to 1:30am
Buenos Aires	1:00pm to 9:30pm
Tokyo	1:00am to 9:30am
Sydney	2:00am to 10:30am

Return Policy

- **ABSOLUTELY NO RETURNS PERMITTED AFTER 30 DAYS**
- **RMA NUMBER REQUIRED FOR ALL RETURNS, ALL ITEMS RECEIVED WITHOUT RMA NUMBER DISPLAYED ON OUTSIDE OF PACKAGE WILL BE REFUSED**
- **NO RETURNS WITHOUT PRIOR AUTHORIZATION**

Ordering Procedures:

Follow these simple guidelines, whether you Call, Fax or E-mail.

When you call, please have:

1. Your customer number
 2. Item number and description
- Current Parts Manual for quick reference

When you fax:

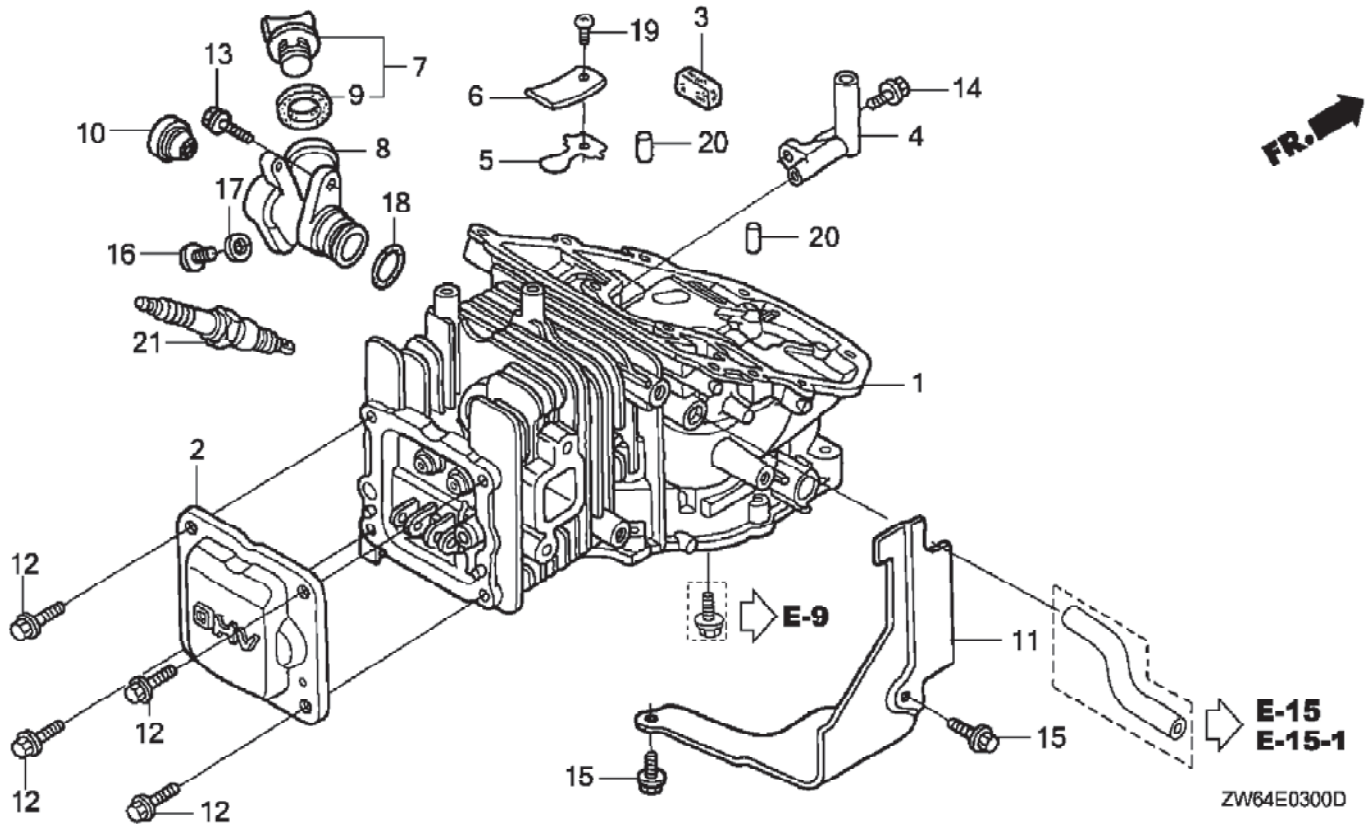
1. List customer number, phone number, and proper bill to and shipping address.
2. List quantity, item number and description clearly
3. Note shipping method desired

When you e-mail:

1. List customer number and proper bill to and shipping address.
2. List quantity, item number and descriptions clearly
3. Note shipping method desired
4. List return e-mail address and phone number

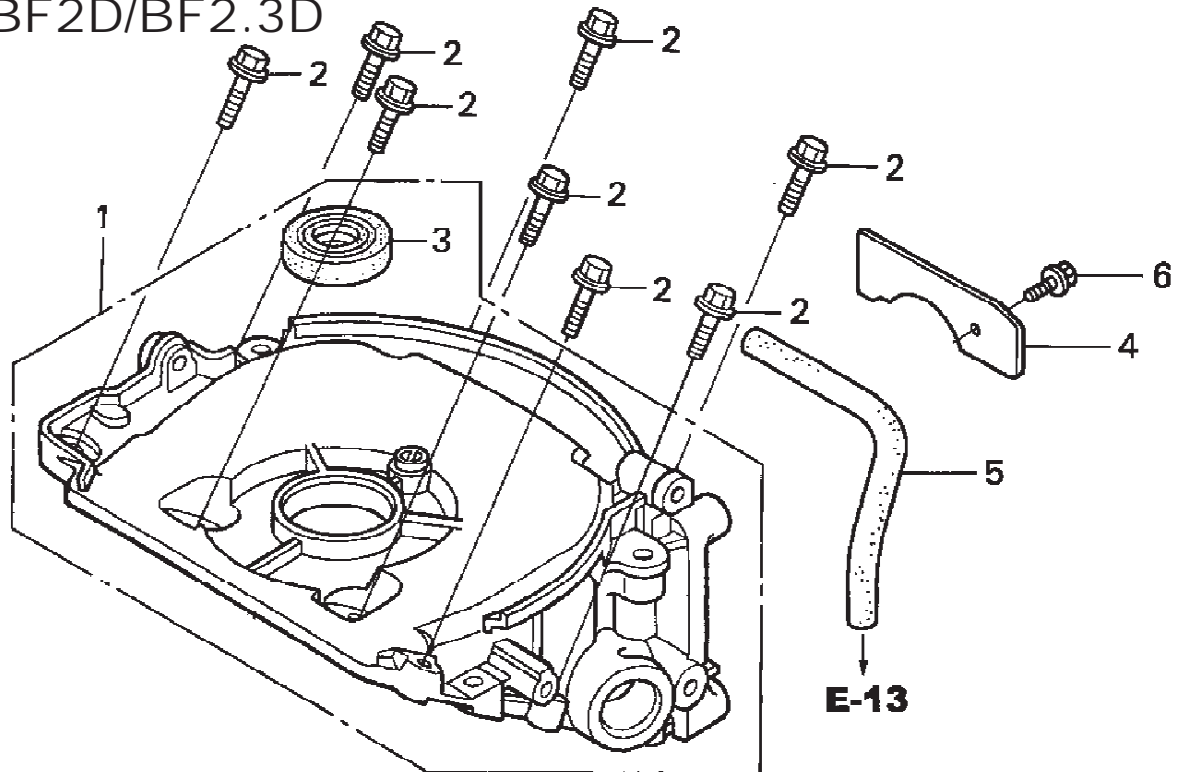
Orders will ship UPS Regular if not stated otherwise.

Cylinder - BF2D/BF2.3D



Ref #	FPX #	Honda #	Description	Price
01	8352395	12100-ZW6-010	12100-ZW6-G01 Cylinder Comp. BF2D	\$180.54
02	7604101	12311-ZW6-010ZA	12311-ZW6-010ZA Cover, Head *NH105*	\$12.28
03	2794402	12367-ZE6-010	12367-ZE6-010 Filter, Breather	\$3.66
04	5988415	15171-ZN4-000	15171-ZN4-000 Pipe, Breather	\$5.68
05	5988431	15571-ZM7-003	15571-ZM7-003 Valve, Oil Outlet	\$2.70
06	5988449	15572-ZM7-000	15572-ZM7-000 Plate, Stopper	\$1.48
07	44979210	15600-ZG4-003	15600-ZG4-003 Cap, Oil Filler	\$2.23
08	6006456	15622-ZW6-000	04102-ZW6-000 Extension, Oil Level Finder	\$35.62
09	44979470	15625-ZE1-003	15625-ZE1-003 Gasket, Oil Filler Cap	\$3.30
10	18143341	15661-ZV0-003	15661-ZV0-003 Finder, Oil Level	\$8.99
11	6433296	19631-ZW6-010	19631-ZW6-010 Shroud	\$5.70
12	7183916	90002-ZW6-010	90002-ZW6-010 Bolt, Flange (5x 12) (CT200)	\$1.60
13	7183924	90003-ZW6-010	90003-ZW6-010 Bolt, Flange (5X16)	\$1.56
14	5988951	90008-ZM7-000	90008-ZM7-000 Bolt (4 X 10)	\$1.71
15	1986124	90019-ZV1-000	90019-ZV1-000 Bolt, Flange (5 X 10)	\$1.15
16	37448021	90105-ZV4-650	90105-ZV4-650 Bolt, Oil Check 8x8	\$6.22
17	0517144	90471-580-000	90471-580-000 Gasket (8MM)	\$1.83
18	2280006	91301-ZE9-003	91301-ZE9-003 O-Ring (22.5 X 2.2)	\$1.71
19	0156950	93500-03005-0A	93500-03005-0A Screw, Pan (3 x 5)	\$0.51
20	1244011	96220-60150	96220-60150 Roller, 6 x 15	\$0.86
21	5384631	98056-55777	Spark Plug, (CR5HSB) 98056-55777 (BF2D Only) See Notes	\$3.26
21a	98056-54777	98056-54777	Spark Plug, (CR4HSB) 98056-54777 (BF2.3D Only) See Notes	\$3.26

Oil Case - BF2D/BF2.3D



Bumper Boat tube repair kits available



003370, Supertube repair kit



2-60-0072, 4OZ glue

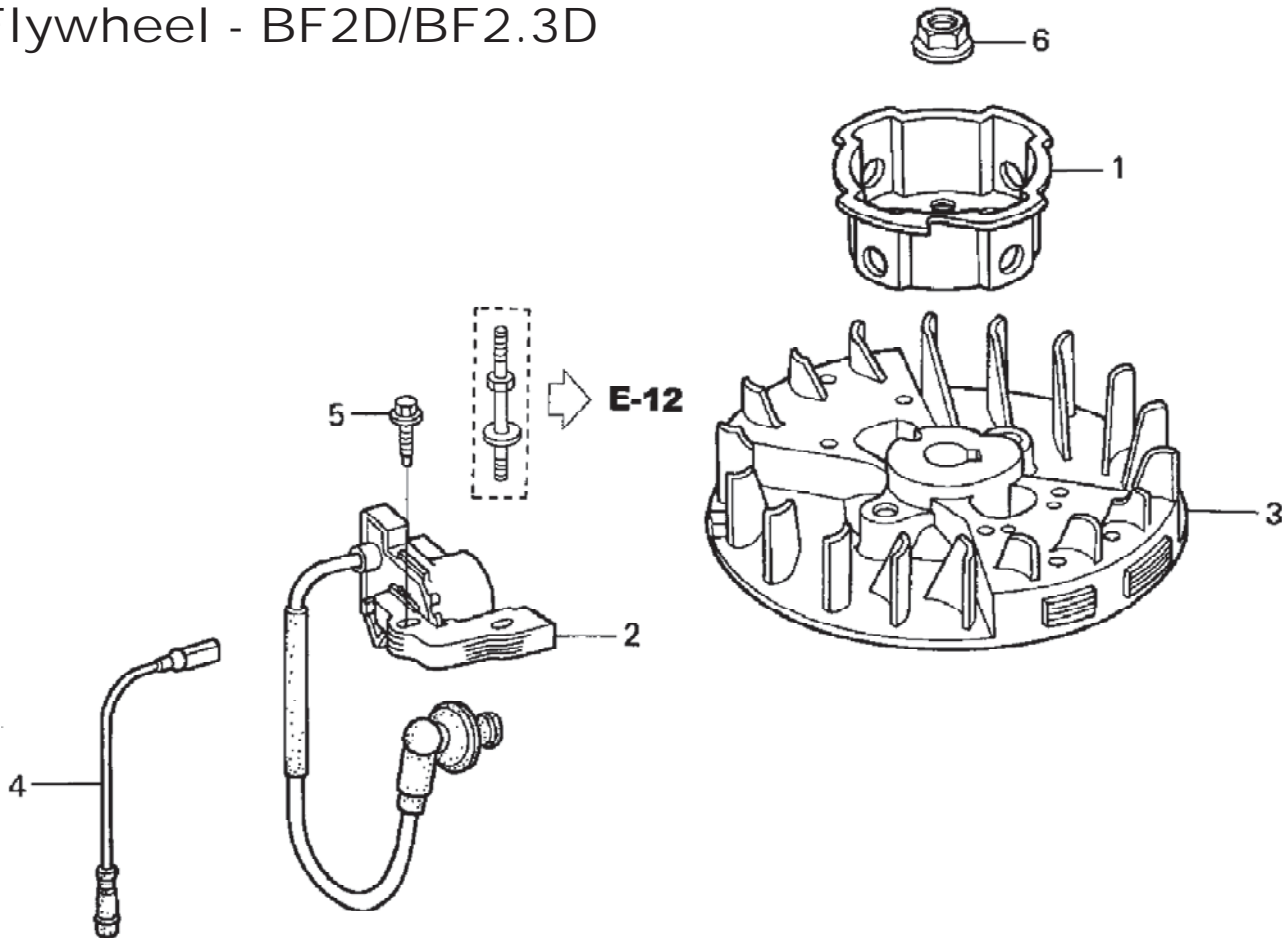


003371, Supertube maintenance & repair kit

Fpx#	Description	Price
003370	Patch, Supertube Repair Kit	\$50.38
2-60-0072	Glue, Tube Supertube 4oz can (HH 66 Vinyl Cemet)	\$12.50
003371	Patch, Supertube Maintenance & Repair Kit	\$101.99

Ref #	FPX #	Honda #	Description	Price
01	6006357	11300-ZW6-000	11300-ZW6-000 Case Assy., Oil	\$99.08
02	5988944	90006-ZM7-000	90006-ZM7-000 Bolt, Flange (5 X 23)	\$1.75
03	2728889	91202-HC5-005	91202-HC5-005 Seal, Oil (17X27x5)	\$3.86
04	11316-ZW6-000	11316-ZW6-000	11316-ZW6-000 Plate, Tube Setting	\$5.99
05	15723-ZW6-000	15723-ZW6-000	15723-ZW6-000 Tube	\$6.10
06	1986124	90019-ZV1-010	90019-ZV1-000 Bolt, Flange (5 X 10)	\$1.15

Flywheel - BF2D/BF2.3D



Bumper Boat super tubes available

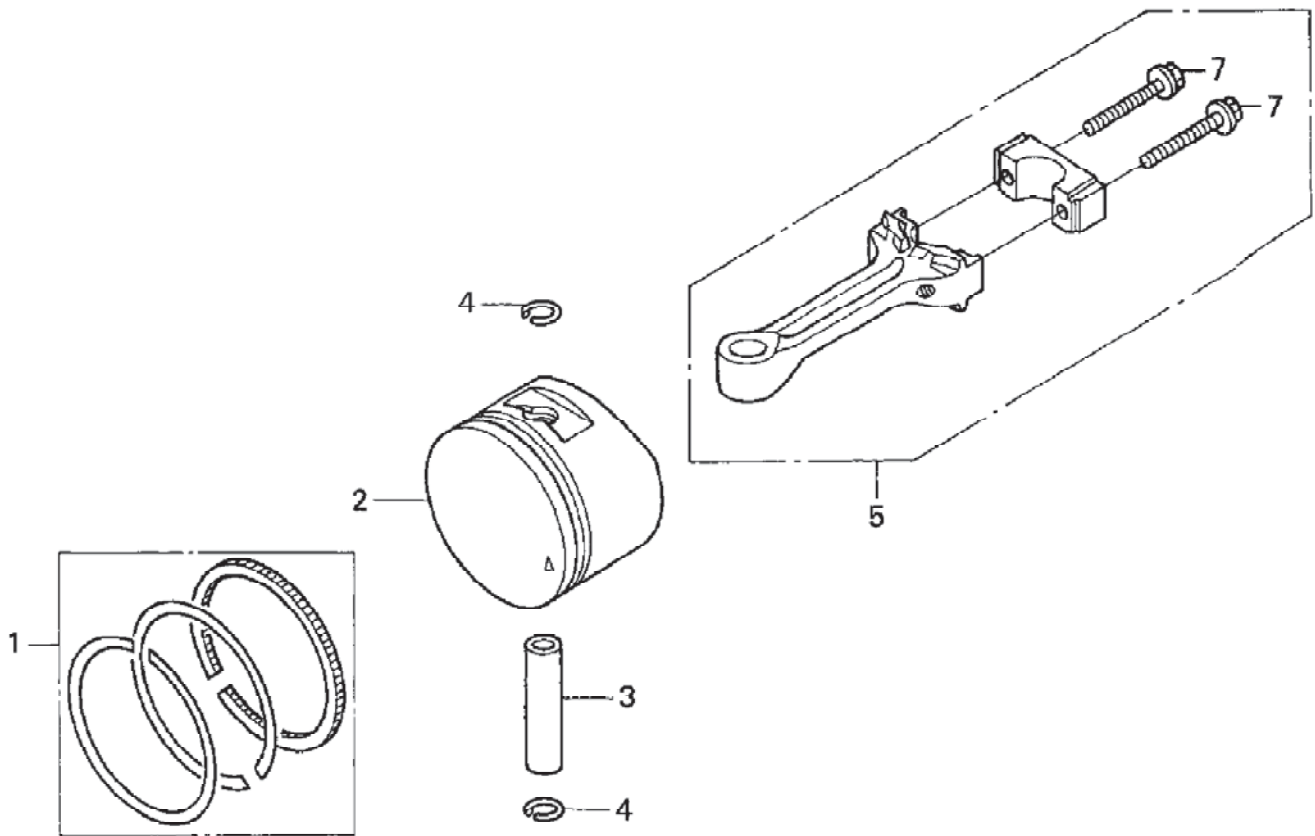


Pick and choose from the colors below.



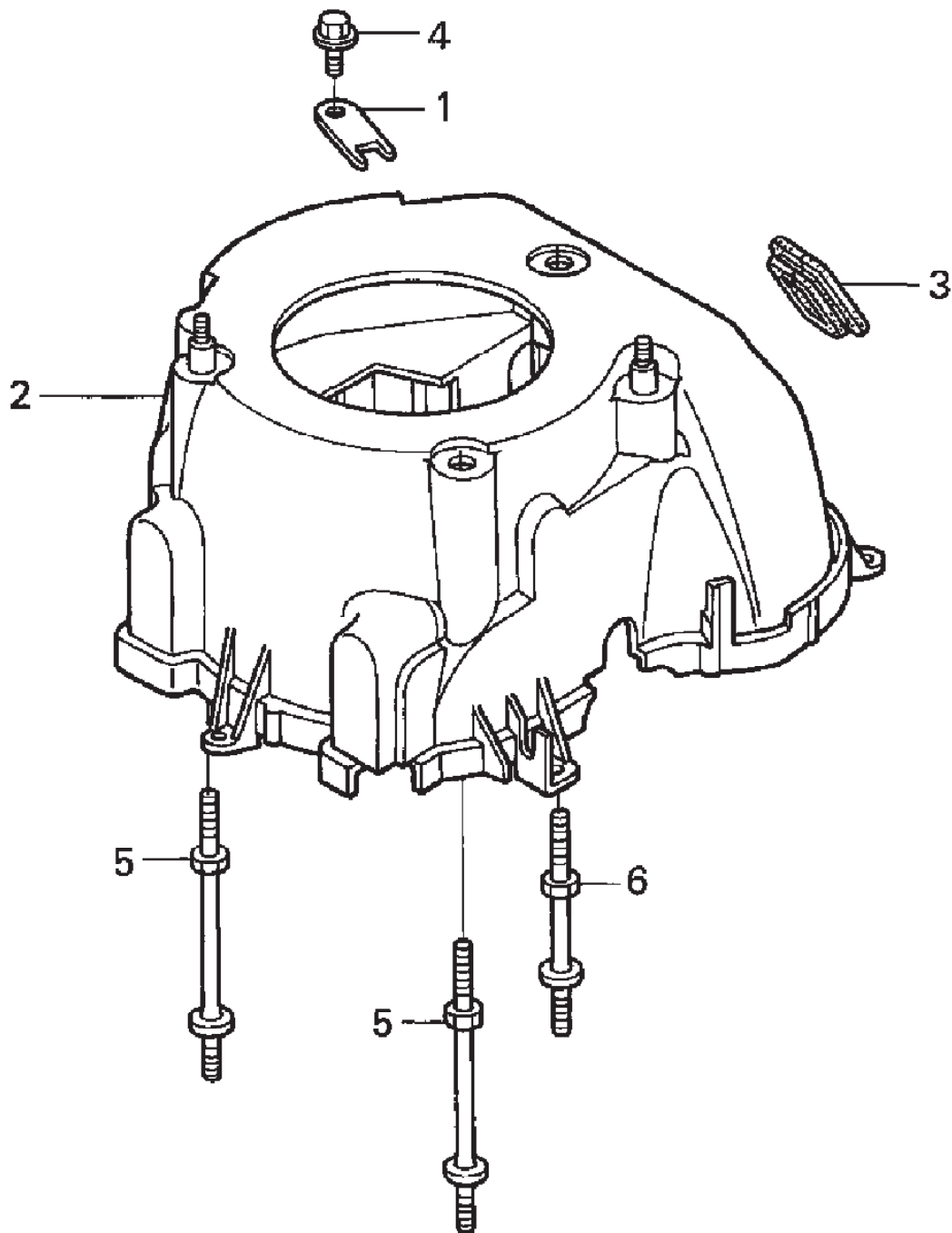
Ref #	FPX #	Honda #	Description	Price
01	6007066	28451-ZW6-003	28451-ZW6-003 Pulley, Starter	\$16.68
02	8675506	30500-ZW6-014	30500-ZW6-014 Coil Assy., Ignition	\$72.80
03	6062137	31110-ZW6-004	31110-ZW6-004 Flywheel Comp.	\$77.02
04	6007157	32195-ZW6-000	32195-ZW6-000 Wire, Stop Switch	\$4.97
05	2734770	90004-ZC3-000	90004-ZC3-000 Blot, Flange (5X20)	\$1.00
06	4144432	90373-SP0-000	90373-SP0-000 Nut, Flange 10mm	\$4.28

Piston - BF2D/BF2.3D



Ref #	FPX #	Honda #	Description	Price
01	6006399	13010-ZW6-000	13010-ZW6-000 Ring, Set (STD)	\$15.56
02	6912166	13101-ZW6-010	13101-ZW6-010 Piston	\$29.07
03	2754323	13111-GS7-000	13111-GS7-000 Pin, Piston	\$8.04
04	04633801	13115-147-000	13115-147-000 Clip, Piston Pin 10mm	\$2.19
05	5988258	13200-ZN4-000	13200-ZN4-010 Rod, Connecting (BF2D)	\$53.26
07	5988910	90001-ZM7-000	90001-ZM7-000 Bolt, Connecting Rod	\$2.11

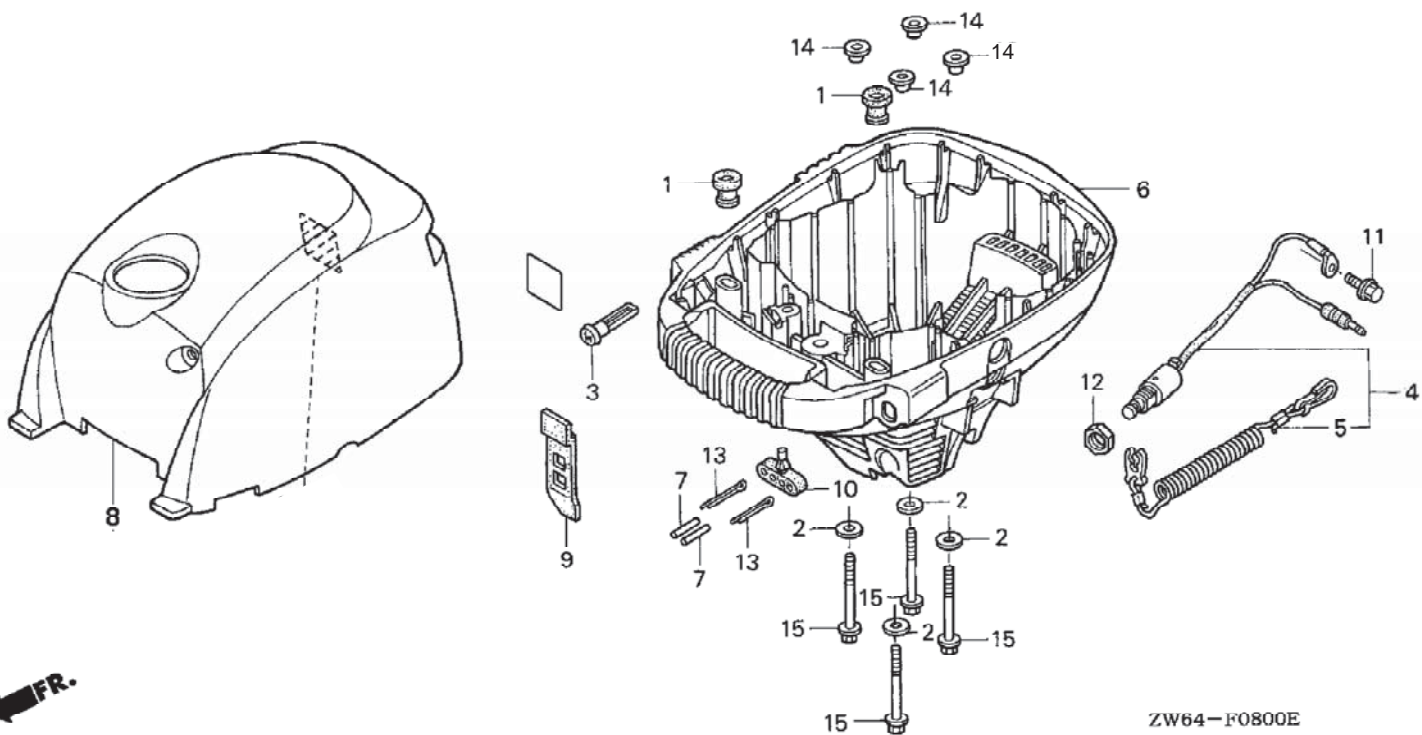
Fan Cover - BF2D/BF2.3D



Before ordering, Please check our website
for current promotions.
www.FunPartsXpress.com

Ref #	FPX #	Honda #	Description	Price
01	6433320	16576-ZW6-010	16576-ZW6-010 Holder, Cable	\$6.95
02	8269847	19610-ZW6-010	19610-ZW6-010 Cover Comp., Fan	\$59.91
03	18150421	19615-ZV0-000	19615-ZV0-000 Grommet, Fan Cover	\$7.04
04	18163391	90002-ZV0-000	90002-ZV0-000 Bolt, Flange 5x10	\$1.26
05	5988969	90042-ZM7-000	90042-ZM7-000 Bolt, Stud (A)	\$1.67
06	5988977	90043-ZM7-000	90043-ZM7-000 Bolt, Stud (B)	\$1.97

Engine Cover - BF2D/BF2.3D



Tube tools



3-96-0024
Low pressure gauge (reads up to 15psi)



00367
Supertube filler adapter



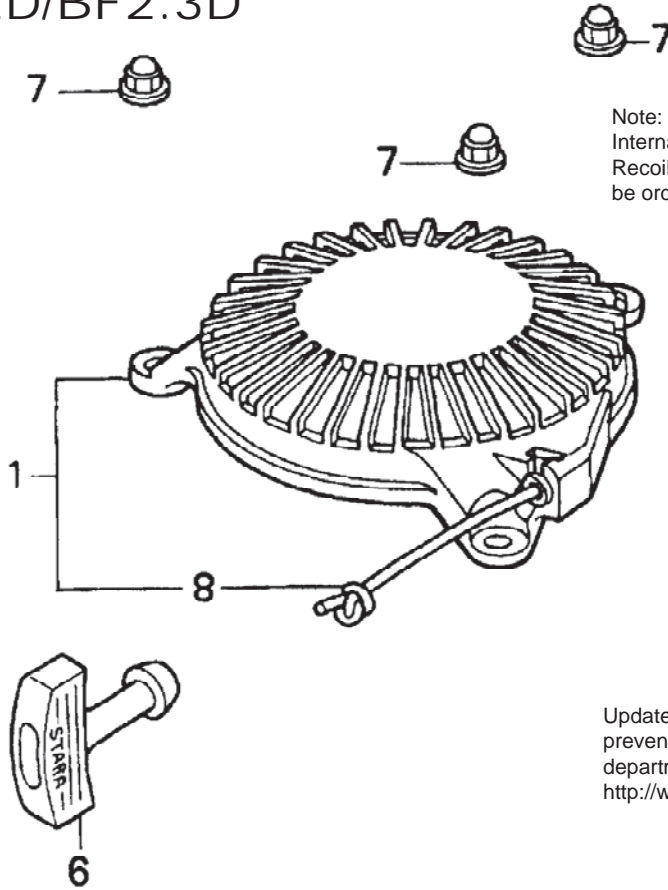
2-60-A0006
Supertube pressure test adapter
& filler



Fpx#	Description	Price
3-96-0024	Gauge, Low Pressure 0-15 (Super Tube & Poly Tube(Motion Pro))	\$95.00
00367	Filler, Super-Tube Plastic Type	\$8.86
2-60-A0006	Filler, Super Tube (Use ST Cap and Valve) Fill Super Tubes	\$16.83

Ref #	FPX #	Honda #	Description	Price
01	18146721	17514-ZV0-000	17514-ZV0-000 Rubber C, Tank Mounting	\$2.81
02	0283556	17936-921-000	17936-921-000 Washer, Pivot	\$1.05
03	18148541	17951-ZG1-000	17951-ZG1-000 Knob, Choke	\$10.59
04	8596918	35180-ZW6-013	35180-ZW6-013 Switch Assy. Emergency Stop	\$57.41
05	3704129	36182-ZV4-650	36182-ZV4-650 Wire, Emergency	\$15.41
06	8580326	40100-ZW6-050	40100-ZW6-050 Case, Engine (Lower)	\$78.83
07	18158851	58131-ZV0-000	58131-ZV0-000 Pin, Shear	\$3.28
08	6804082	63101-ZW6-010ZA	63101-ZW6-030ZA Cover, Eng *NH282MU*	\$165.28
09	1815927	63103-ZV0-000	63103-ZV0-000 Belt, Engine Cover	\$6.01
10	1816305	88111-ZV0-000	88111-ZV0-000 Holder, Parts	\$3.26
11	1986124	90019-ZV1-000	90019-ZV1-000 Bolt, Flange (5 X 10)	\$1.15
12	02850491	90302-921-000	90302-921-000 Nut, Hex 16mm	\$3.81
13	18165861	90757-ZV0-000	90757-ZV0-000 Pin, Split 3mm	\$2.81
14	6009013	91551-ZW6-000	91551-ZW6-000 Collar (6 X 4)	\$3.00
15	6009203	95801-06060-02	95801-06060-02 Bolt, Flange (6 X 60)	\$1.58
*	00252		Adapter, Kill Switch	\$0.47

Starter - BF2D/BF2.3D



Note: (per American Honda)
Internal parts (springs, dogs, etc) for the Starter Recoil are not available. Complete starter must be ordered.

Update: BF2D Starter Brace should be installed to prevent starter housing breakage. Call J&J's Service department for details or visit our website: <http://www.funpartsexpress.com>

Starter rope, boat rope and hooks.



Hollow Core Boat Rope



00387

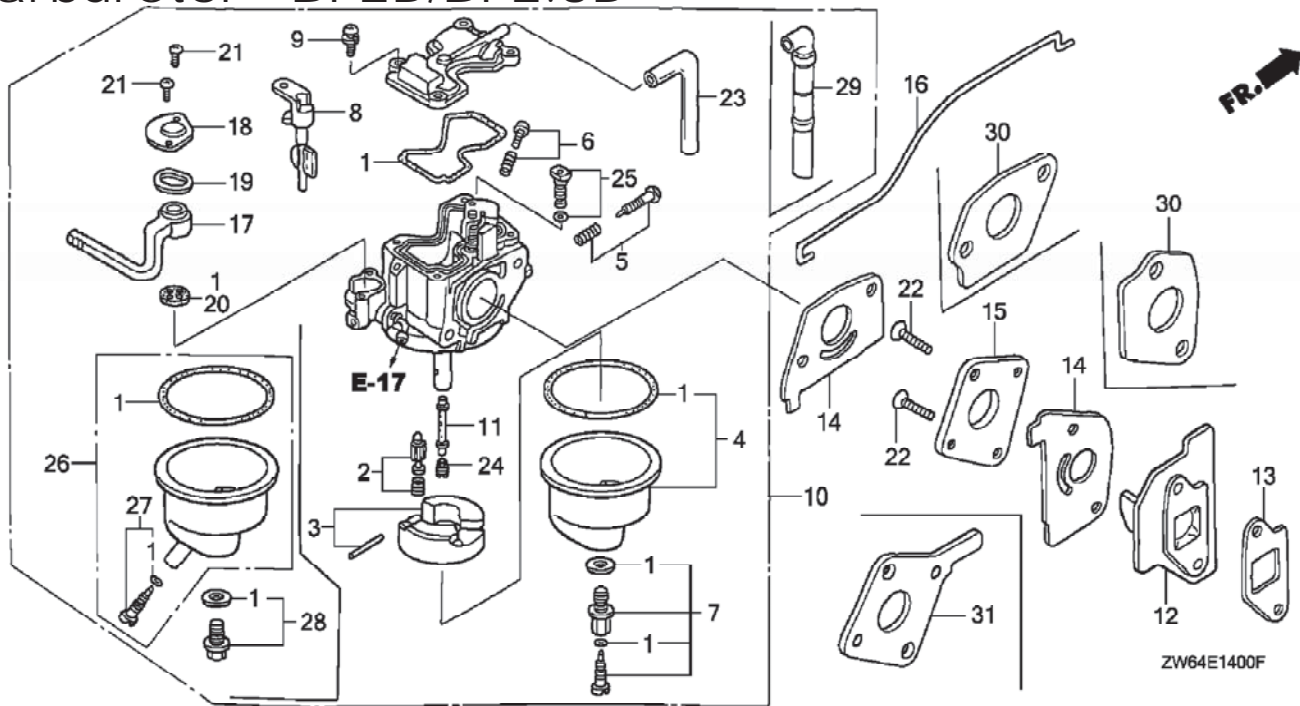


Stainless Steel Boat Hook

Fpx#	Description	Price
00388	Rope, Yellow Bumper Boat (Sold By Ft)	\$0.51
00036-S	Hook, Snap Style Boat (Standard)	\$8.99
52687921	Rope, Starter 200' Roll #4.5 (Bumper Boat)08545-ZG921-11	\$22.99
00387	Fid, Rope Splicing 1/2"	\$2.24

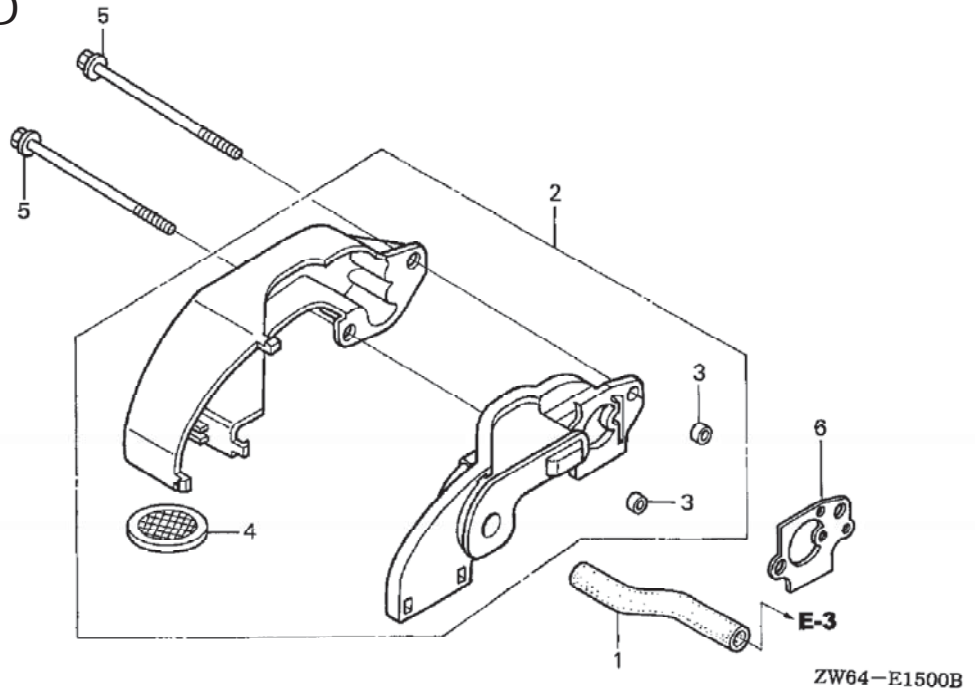
Ref #	FPX #	Honda #	Description	Price
01	7742927	28400-ZW6-013	28400-ZW6-013 Starter Assy., Recoil BF2D	\$72.96
06	4543997	28461-ZA8-902	28461-ZA8-902 Knob, Recoil Starter	\$8.42
07	1487610	90303-GC2-630	90303-GC2-630 Nut 5mm	\$3.53
08	6058986	28462-ZW6-003	28462-ZW6-003 Rope, Recoil Starter	\$8.11
**	52687921		Rope, Starter 200' Roll #4.5 (Bumper Boat)08545-ZG921-11	\$22.99
**	2-60-0024		Brace, BF2D Starter Rope Hold Down (needs rivit 1-50-0048)	\$2.24
**	1-50-0048		Rivet, 1/8 x 1/8 (for 2-60-0024 Brace BF2 Starter Rope)	\$0.20

Carburetor - BF2D/BF2.3D

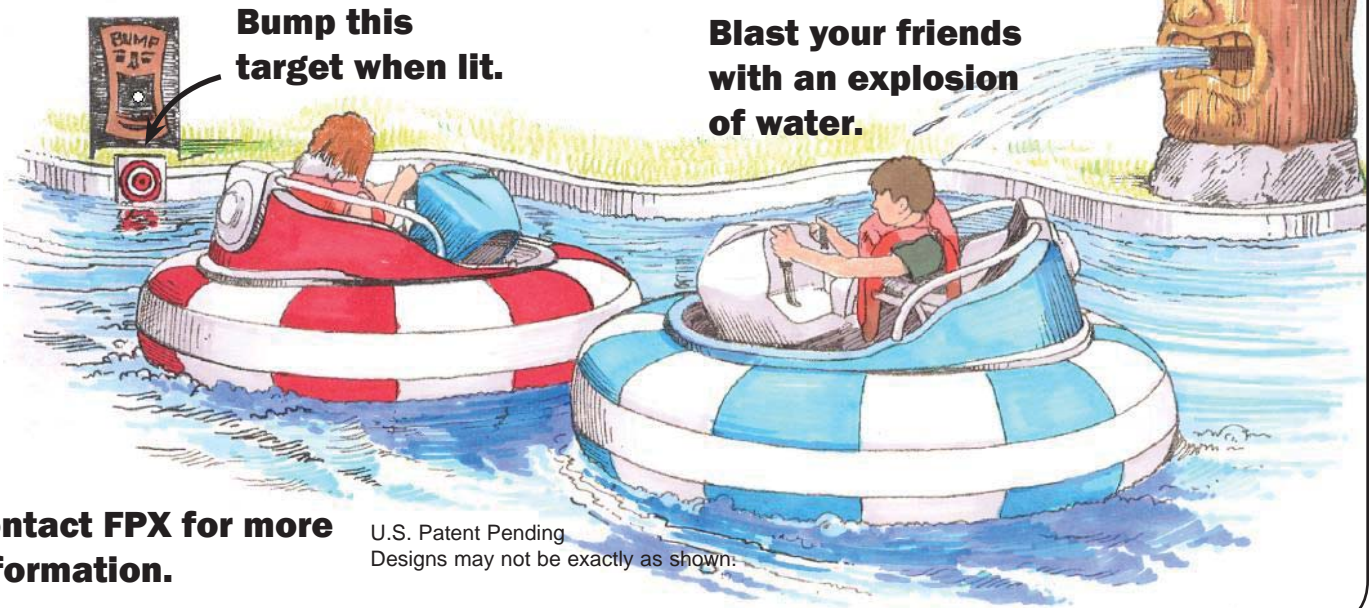


Ref #	FPX #	Honda #	Description	Price
01	35201451	16010-ZV0-025	16010-ZV0-025 Gasket Set	\$15.19
01*	16010-ZW6-611	16010-ZW6-611	16010-ZW6-611 Gasket Set BF2.3D	\$11.25
02	14414760	16011-ZE0-005	16011-ZE0-005 Valve Seat, Float(AH,H)	\$21.32
03	18076921	16013-ZG0-811	16013-ZG0-811 Float Set	\$19.27
04	6433411	16015-ZW6-003	16015-ZW6-003 Chamber Set, Float	\$35.78
05	6433429	16016-ZW6-711	16016-ZW6-711 Screw Set	\$9.09
05*	16016-ZW6-E11	16016-ZW6-E11	16016-ZW6-E11 Screw Set	\$7.25
06	37508171	16028-ZV0-A00	16028-ZV0-A00 Screw Set	\$7.14
07	6433445	16029-ZW6-013	16029-ZW6-013 Screw Set	\$43.93
08	4006086	16044-ZV0-A01	16044-ZV0-A01 Lever Set, Choke	\$23.08
09	37508581	16082-ZV0-A00	16082-ZV0-A00 Screw, Pan	\$2.54
10	6816052	16100-ZW6-714	16100-ZW6-714 Carburetor (BF33BB)	\$98.49
10*	16100-ZW6-E11	16100-ZW6-E11	16100-ZW6-E11 Carburetor (BF33L A) BF2.3D	\$79.90
11	6877526	16166-ZW6-711	16166-ZW6-711 Nozzle, Main	\$15.82
12	5988514	16211-ZN4-000	16211-ZN4-000 Insulator Carburetor	\$7.27
13	5988522	16212-ZM7-000	16212-ZM7-000 Gasket, Insulator	\$1.71
14	40350771	16221-ZG0-801	16221-ZG0-801 Gasket, Insulator Block Mtg	\$1.99
15	6006514	16225-ZW6-000	16225-ZW6-000 Plate	\$9.90
16	6006548	16674-ZW6-000	16674-ZW6-000 Rod, Choke	\$7.02
17	6006555	16953-ZW6-003	16953-ZW6-003 Lever, Cock	\$5.25
18	51481350	16954-ZE1-812	16954-ZE1-812 Lever, Valve	\$2.57
19	18078090	16956-ZE1-811	16956-ZE1-811 Spring, Cock Lever	\$2.90
20	34407080	16957-ZE1-812	16957-ZE1-812 Packing, Fuel Cock	\$3.14
21	0561654	93500-03006-0H	93500-03006-0H Screw, Pan (3 X 6)	\$0.39
22	18166441	93600-05020-0B	93600-05020-0B Bolt, Flange 5x20	\$1.07
23	5589684	95003-09001-60M	95003-09001-60M Bulk Hose, Vinyl	\$2.76
24	5775002	99101-ZG0-0600	99101-ZG0-0600 Jet, Main (#60)	\$6.45
24*	99101-ZG0-0550	99101-ZG0-0550	99101-ZG0-0550 Jet, Main (#55)	\$7.50
**	6009229	99101-ZG0-0620	99101-ZG0-0620 Jet, Main (#62)	\$5.40
**	6009237	99101-ZG0-0650	99101-ZG0-0650 Jet, Main (#65)	\$6.20
25	14416090	99204-ZE0-0350	99204-ZE0-0350 Jet Set, Pilot #35	\$17.43
26	16015-ZW6-G01	16015-ZW6-G01	16015-ZW6-G01 Chamber Set, Float BF2.3D	\$32.95
27	16024-ZW6-003	16024-ZW6-003	16024-ZW6-003 Screw Set, Drain	\$9.95
29	16195-ZW6-000	16195-ZW6-000	16195-ZW6-000 Tube Assy., Air Vent BF2.3D	\$7.10
30	16221-ZW6-000	16221-ZW6-000	16221-ZW6-000 Gasket, Carburetor	\$1.25
31	16225-ZW6-G00	16225-ZW6-G00	16225-ZW6-G00 Plate	\$8.95

Air Guide - BF2D



Bump-N-Blast pond accessory.

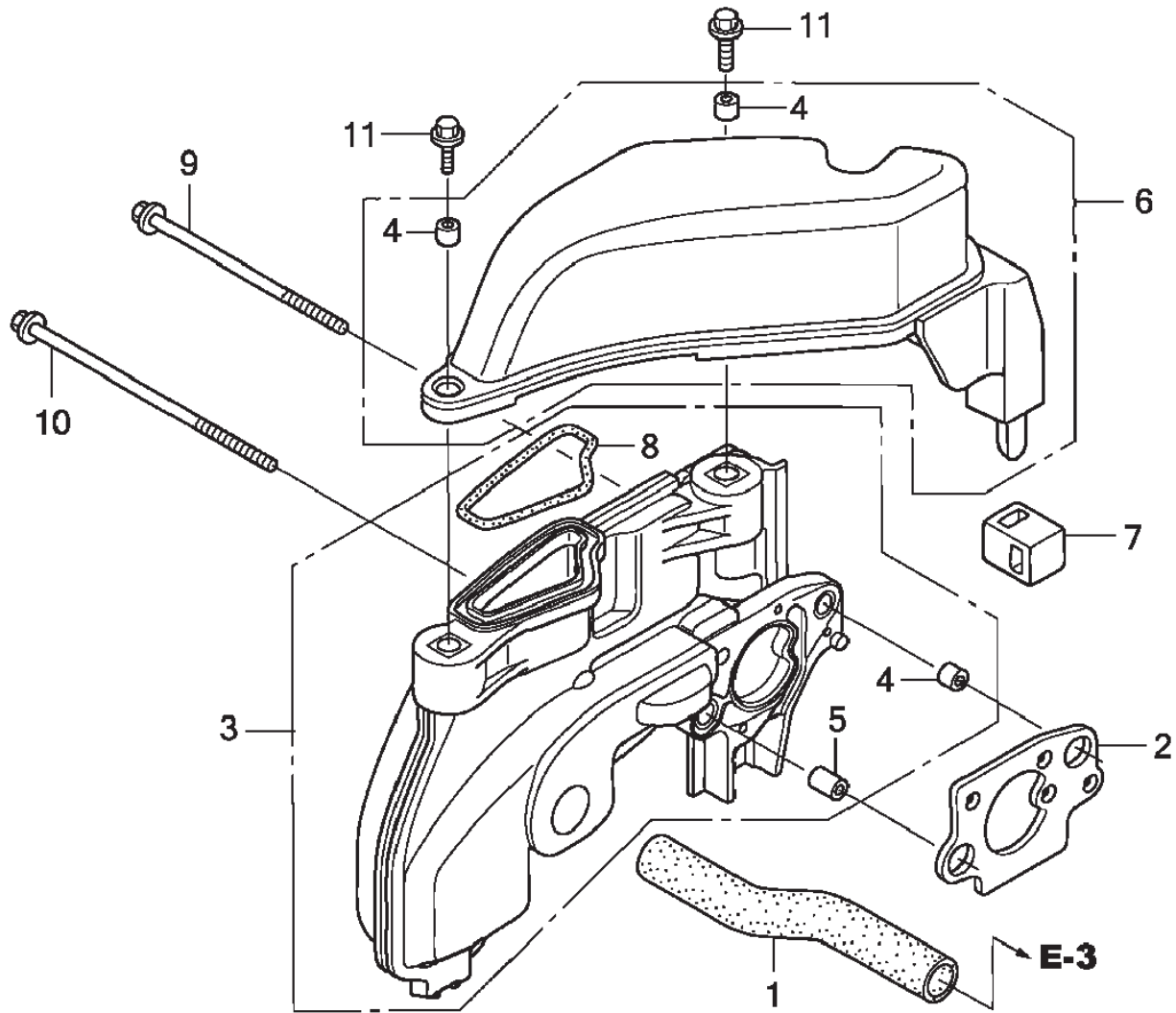


Contact FPX for more information.

U.S. Patent Pending
 Designs may not be exactly as shown.

Ref #	FPX #	Honda #	Description	Price
01	6006464	15721-ZW6-000	15721-ZW6-000 Tube, Breather	\$2.90
02	6754758	17201-ZW6-010	17201-ZW6-010 Guide Air	\$20.68
03	6762389	17202-ZV0-300	17202-ZW6-300 Collar, Distance	\$1.83
04	18146151	17203-ZV0-000	17203-ZV0-000 Trap, Frame	\$5.65
05	7183890	90001-ZW6-000	90001-ZW6-010 Bolt, Flange (5 X 62)	\$2.02
06	6763353	16202-ZW6-000	16202-ZW6-000 GASKET, AIR GUIDE Use from Engine SN 1046413	\$1.88

Air Guide - BF2.3D



Ref #	FPX #	Honda #	Description	Price
01	6006464	15721-ZW6-000	15721-ZW6-000 Tube, Breather	\$2.90
02	6763353	16202-ZW6-000	16202-ZW6-000 GASKET, AIR GUIDE Use from Engine SN 1046413	\$1.88
03	17200-ZW6-G00	17200-ZW6-G00	17200-ZW6-G00 Guide Assy, Air	\$35.00
04	6762389\$1.83	17202-ZW6-300	17202-ZW6-300 Collar, Distance	\$1.83
05	17204-ZW6-G00	17204-ZW6-G00	17204-ZW6-G00 Collar (14mm)	\$1.90
06	17371-ZW6-G00	17371-ZW6-G00	17371-ZW6-G00 Case, Muffler	\$35.00
07	17374-ZW6-G00	17374-ZW6-G00	17374-ZW6-G00 Grommet, Muffler	\$3.20
08	17375-ZW6-G00	17375-ZW6-G00	17375-ZW6-G00 Seal, Muffler	\$2.75
09	7183890	90001-ZW6-010	90001-ZW6-010 Bolt, Flange (5 X 62)	\$2.02
010	90005-ZW6-G00	90005-ZW6-G00	90005-ZW6-G00 Bolt, Flange (5x70)	\$2.75
011	90049-ZY6-000	90049-ZY6-000	90049-ZY6-000 Bolt, Flange (5X12)	\$2.99

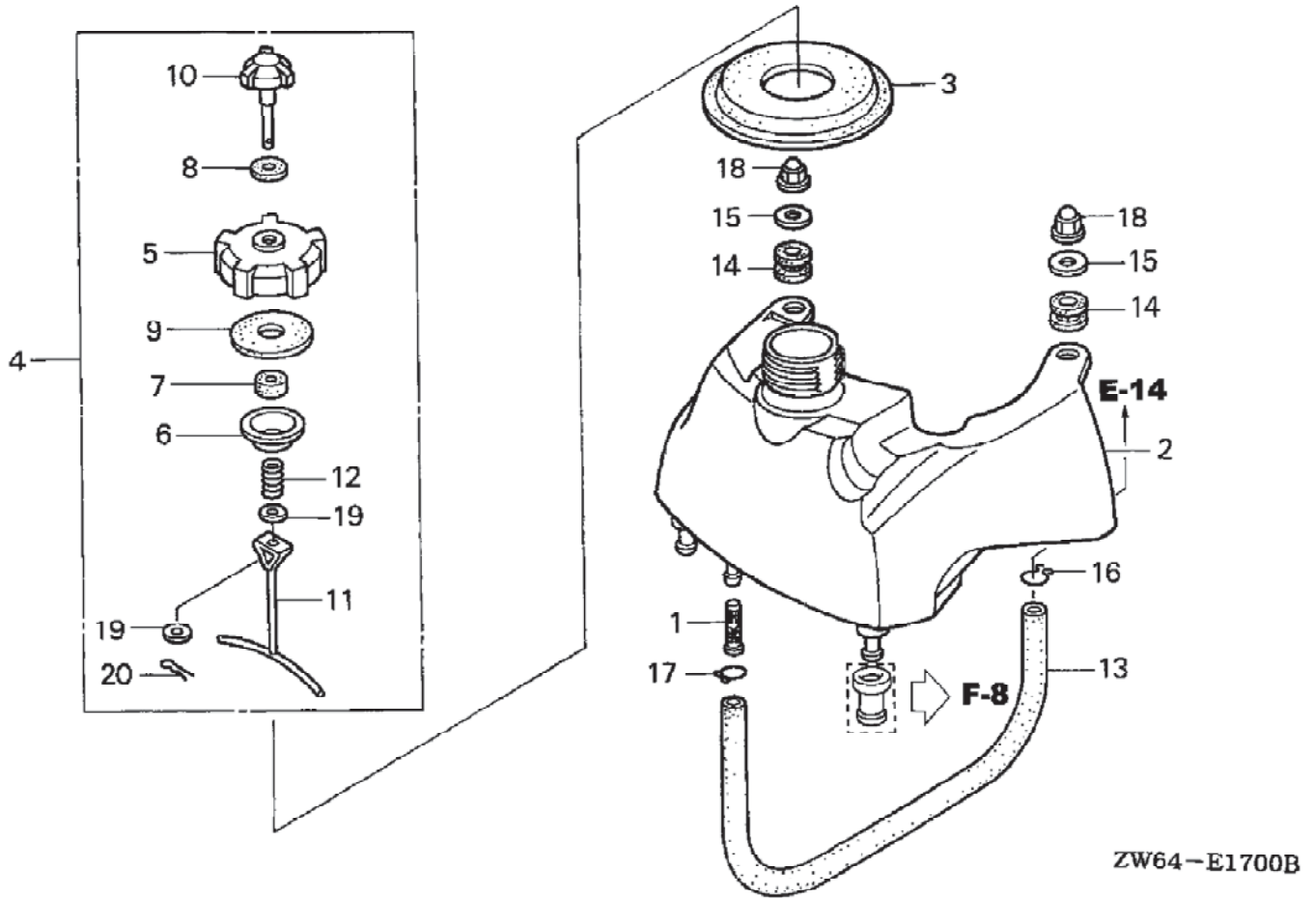
E-MAIL: parts@funpartsexpress.com Internet: <http://www.funpartsexpress.com>

TOLL FREE PHONE ORDERING: 1-800-854-3140

INTERNATIONAL PHONE ORDERING: 1-503-304-8899

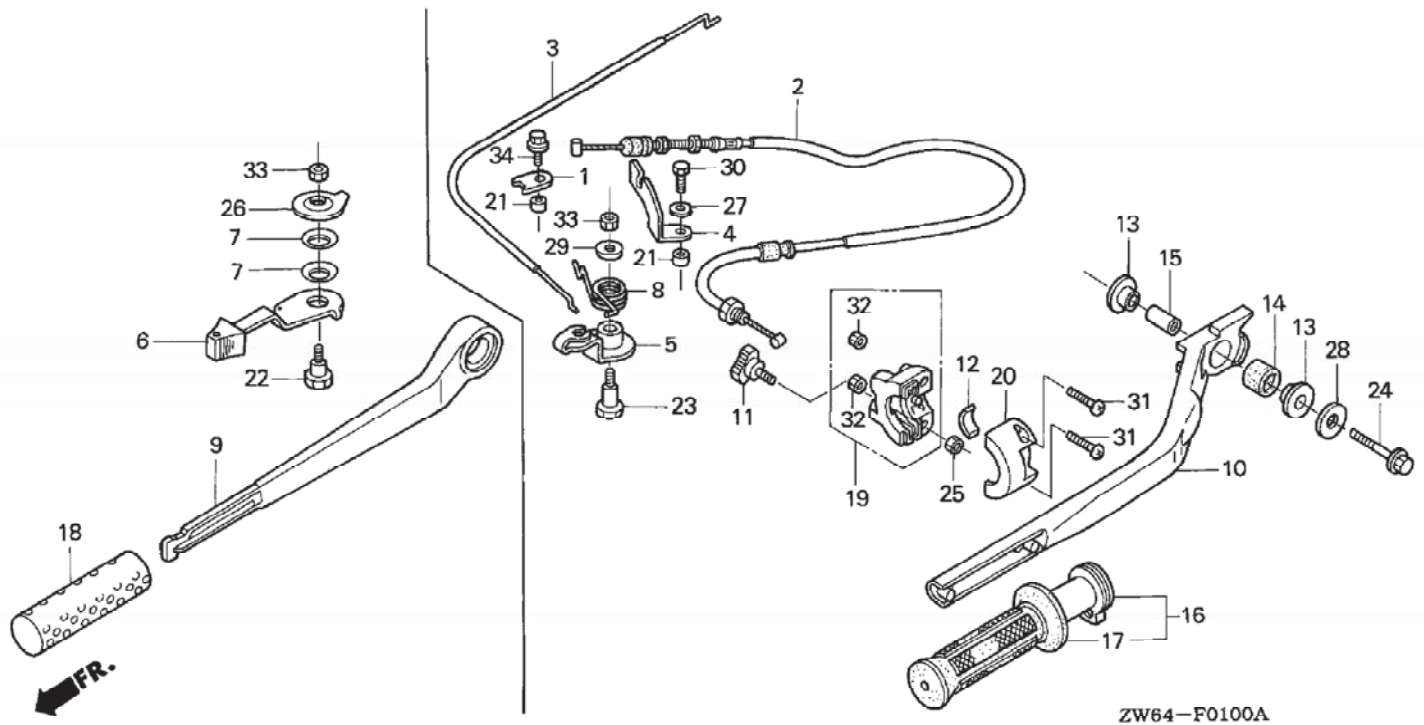
Prices subject to change without notice. 19

Fuel Tank - BF2D/BF2.3D



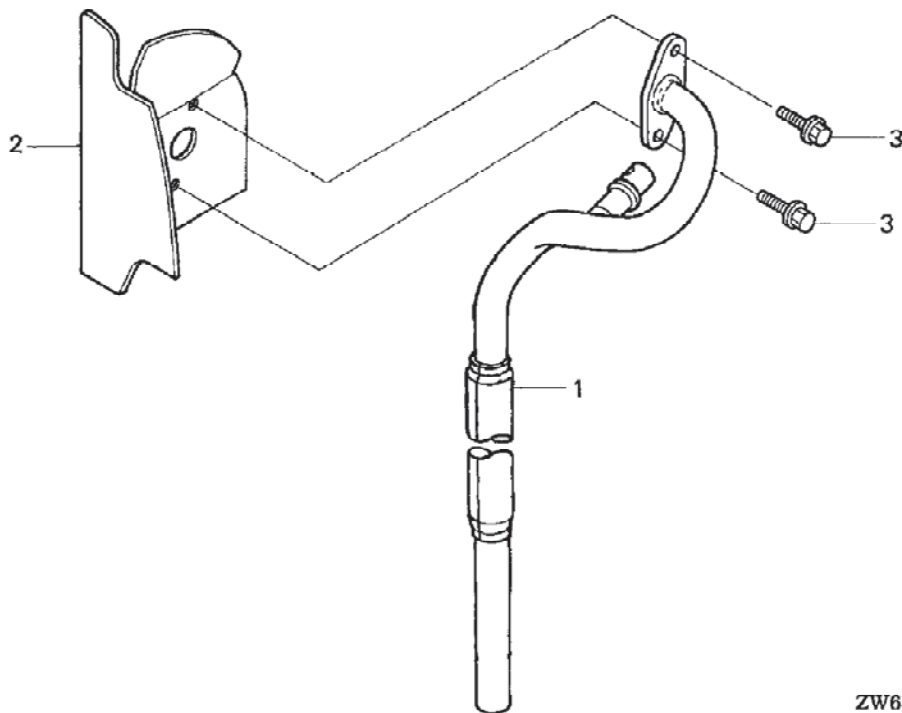
Ref #	FPX #	Honda #	Description	Price
01	14529451	16952-ZE6-000	16952-ZE6-000 Strainer, Fuel	\$6.72
02	7158736	17511-ZW6-000	17511-ZW6-000 Tank, Fuel	\$58.41
03	18146801	17515-ZV0-000	17515-ZV0-000 Rubber A, Tank Mounting	\$5.09
04	7029242	17620-ZV0-020	17620-ZV0-020 Cap Assembly, Fuel Tank (Honda BF2 Plastic)	\$23.66
04a	17620-ZW6-E11	17620-ZW6-E11	17620-ZW6-E11 CAP ASSY., FUEL TANK CARB/EPA COMPLIANT	\$101.38
05	18826201	17621-ZV0-010	17621-ZV0-010 Body, Fuel Cap	\$7.92
06	18147551	17622-ZV0-000	17622-ZV0-000 Inner, Fuel Cap	\$3.00
07	18147631	17623-ZV0-000	17623-ZV0-000 Sponge, Fuel Cap Breather	\$1.38
08	18147711	17624-ZV0-000	17624-ZV0-000 Gasket, Valve	\$0.97
09	18147891	17625-ZV0-000	17625-ZV0-000 Packing, Fuel Cap	\$2.85
10	18826381	17626-ZV0-010	17626-ZV0-010 Value Comp., Breather	\$5.27
11	18148051	17628-ZV0-000	17628-ZV0-000 Link, Fuel Cap	\$3.12
12	18148131	17629-ZV0-000	17629-ZV0-000 Spring, Fuel Cap	\$2.06
13	6006647	17701-ZW6-000	17701-ZW6-000 Tube, Fuel	\$9.66
14	1530062	80105-MG9-000	80105-MG9-000 Rubber, Air Cleaner	\$1.77
15	0313163	90545-323-700	90545-323-700 Washer (6.5 x 18)	\$1.38
16	18165521	90602-ZV0-000	90602-ZV0-000 Clip B10, Tube	\$1.44
17	18165601	90604-ZV0-000	90604-ZV0-000 Clip C12, Tube	\$1.07
18	0057893	94021-06020	94021-06020 Nut, Cap (6MM)	\$1.11
19	03157131	94101-04200	94101-04200 Washer, Plain 4mm	\$0.75
20	02443431	94251-04000	94251-04000 Pin, Lock 4mm	\$0.39

Throttle - BF2D/BF2.3D



Ref #	FPX #	Honda #	Description	Price
01	18145651	16576-ZV0-000	16576-ZV0-000 Holder, Cable (T.O.)	\$3.12
02	6433494	17910-ZW6-702	17910-ZW6-702 Cable, Throttle	\$46.09
03	6006688	17920-ZW6-000	17920-ZW6-020 Cable, Throttle BF2D	\$7.20
04	7493943	17921-ZV1-020	17921-ZV1-020 Holder, Cable	\$6.16
05	6006696	17930-ZW6-700	17930-ZW6-700 Arm Comp., Throttle	\$19.16
08	6006712	17932-ZW6-700	17932-ZW6-700 Spring, Throttle Arm	\$2.90
11	6007819	53104-ZW6-700	53104-ZW6-700 Bolt, Friction	\$6.65
12	6007827	53106-ZW6-700	53106-ZW6-700 Block	\$2.68
16	3359619	53140-GW0-000	53140-GW0-000 Grip Comp., Throttle	\$16.02
17	3381563	53167-GW0-305	53167-GW0-305 Grip Set, Right Handle	\$5.59
19	6437818	53167-ZW6-701	53167-ZW6-701 Housing, Throttle	\$14.64
20	6007843	53168-GAH-700	53168-GAH-700 Housing, Throttle	\$10.95
21	2237592	77235-GC2-000	77235-GC2-000 Collar, Seat Catch	\$1.85
23	6008866	90101-ZW6-700	90101-ZW6-700 Bolt, Hex. (6 x 24)	\$5.32
25	4618666	90301-782-000	90301-782-000 Nut, U (6mm)	\$1.38
29	2800621	90511-ZV4-000	90511-ZV4-000 Washer, Plain (6mm)	\$2.04
30	31734811	92101-06014-4J	92101-06014-4J Bolt, Hex 6x14	\$1.32
31	0192864	93500-05020-4J	93500-05020-4J Screw, Pan (5 x 20)	\$1.22
32	0112268	94001-05020-0S	94001-05020-0S Nut, Hex (5mm)	\$0.75
33	3118155	94030-06020	94030-06020 Nut, Hex (6mm)	\$0.82
34	2801298	95701-06012-02	95701-06012-02 Bolt, Flangen (6 x 12)	\$1.07

Exhaust - BF2D/BF2.3D



ZW64-E1600A

Tube inflator/deflator

Another multi-use tool from FPX!

This handy 4 horse power tool can inflate or deflate a super tube in seconds.

It's also a handy blow dryer when washing go-karts, cars, boats, etc. The amount of air pushed through really dries out the nooks and crannies.

This is one of those tools you never knew you needed until you try it. You'll find many uses!

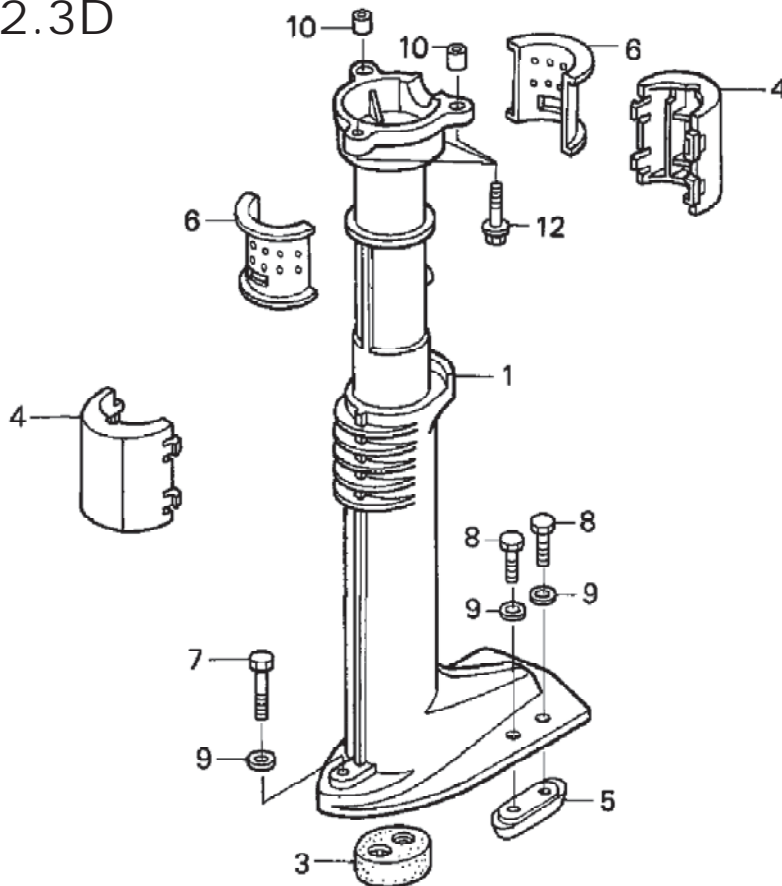
Order one today!



Fpx#	Description	Price
2-60-0124	Tool, Inflator/Deflator Super Tube 4.0hp 130cfm	\$199.00

Ref #	FPX #	Honda #	Description	Price
01	6433486	18330-ZW6-010	18330-ZW6-010 Pipe Comp., Ex.	\$129.38
02	6006746	18515-ZW6-000	18515-ZW6-000 Guide, Air Ex.	\$10.59
03	7183924	90003-ZW6-010	90003-ZW6-010 Bolt, Flange (5X16)	\$1.56

Extention - BF2D/BF2.3D



Pond cleaners,
chemicals and
supplies.



Fpx#	Description	Price
3-60-0019	Pool, Clean & Perfect 5Gal. (640oz)	\$236.22
3-60-0022	Pool, Cleaner Automatic Dosage Dispenser	\$359.04
2-80-0001	Test Kit, Water Complete High K-2005 (Test Kit for Pools	\$109.43
2-80-0002	Test Kit, Water Phosphate Only (0-1000 ppb)	\$52.73
3-60-0017	Pool, Phosfree 3L (101.50 oz)	\$31.37
3-60-0015	Pool, Perfect Cleaner Concentrate 3L (101.50 oz)	\$38.10

Ref #	FPX #	Honda #	Description	Price
01	8580276	40201-ZW6-010ZA	04402-ZW6-010ZA Case, Kit *NH246*	\$237.70
03	6007280	40210-ZW6-000	40210-ZW6-000 Bush, Vertical Shaft	\$31.28
05	37398101	41106-ZV4-650	41106-ZV4-650 Metal, Anode Zinc	\$15.99
07	31733821	90113-ZV0-000	90113-ZV0-000 Bolt, Hex 6x35	\$3.79
08	29450461	90127-ZV4-000	90127-ZV4-000 Bolt, Hex 6x16	\$1.67
09	28006051	90506-ZV4-000	90506-ZV4-000 Washer, Plain 6mm	\$2.32
10	00817110	94301-08100	94301-08100 Pin, Dowel, 8x10 (GX160/200)	\$1.37
12	2801330	95701-06025-02	95701-06025-02 Bolt, Flange (6 x 25)	\$1.43

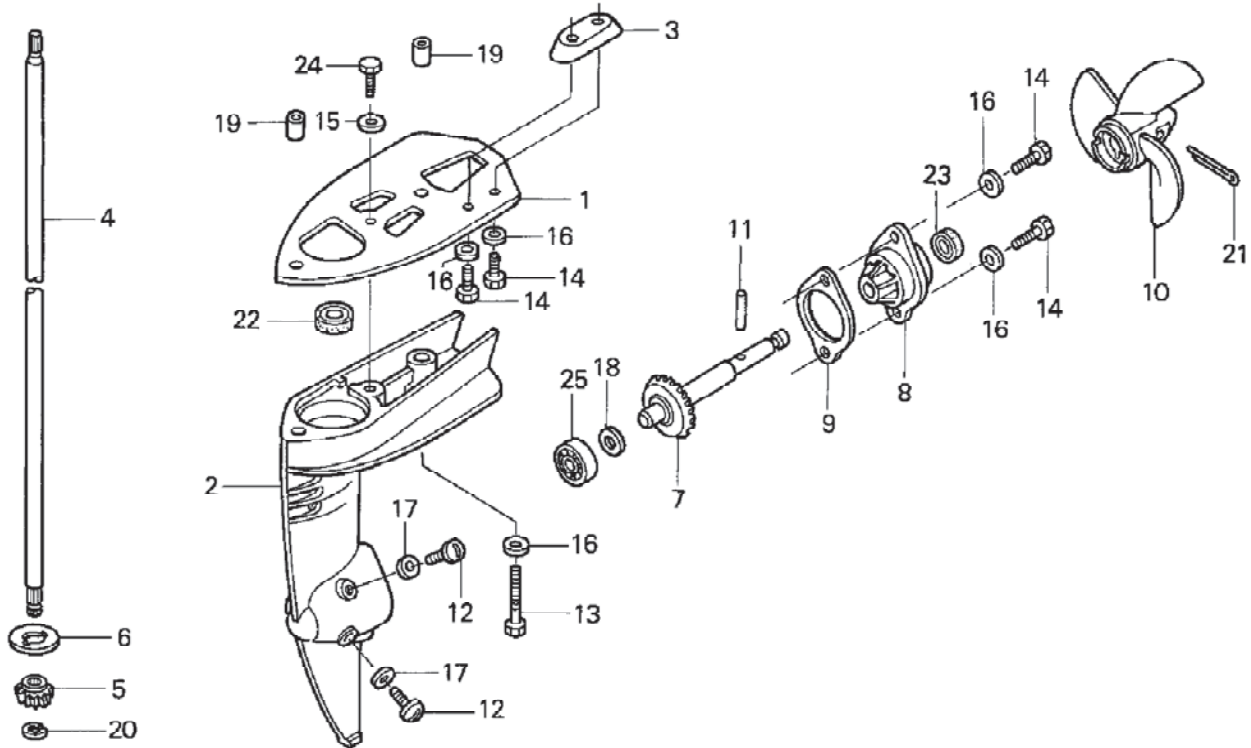
E-MAIL: parts@funpartsexpress.com Internet: <http://www.funpartsexpress.com>

TOLL FREE PHONE ORDERING: 1-800-854-3140

INTERNATIONAL PHONE ORDERING: 1-503-304-8899

Prices subject to change without notice.

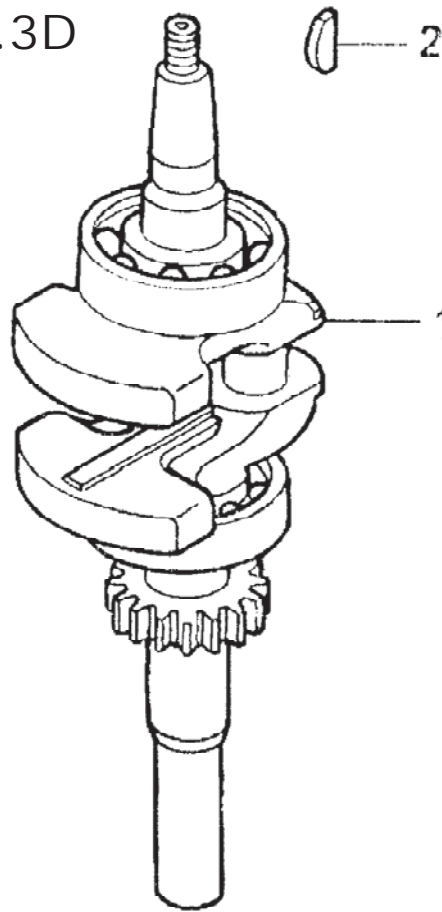
Shaft/Propeller - BF2D/BF2.3D



ZW64-F0500A

Ref #	FPX #	Honda #	Description	Price
02	8625337	41100-ZW6-010ZA	41100-ZW6-C01ZA Case, Gear *NH246*	\$205.77
03	37398101	41106-ZV4-650	41106-ZV4-650 Metal, Anode Zinc	\$15.99
04	6438691	41112-ZW6-020	41112-ZW6-020 Shaft, Vertical	\$133.68
05	6007389	41131-ZW6-000	41131-ZW6-000 Gear, Pinion	\$35.52
06	18154221	41135-ZV0-000	41135-ZV0-000 Washer, Pinion Thrust	\$3.86
07	6007397	41160-ZW6-000	41160-ZW6-000 Shaft, Propeller	\$109.70
08	6007405	41200-ZW6-000ZA	41200-ZW6-000ZA Holder Assy. *NH246*	\$38.30
09	44345771	41281-ZV0-850	41281-ZV0-850 Packing, Propeller	\$3.62
10	37470291	58130-ZV0-841ZB	58130-ZV0-841ZB Propeller Comp., 3 Blade *NH283*	\$64.60
11	18158851	58131-ZV0-000	58131-ZV0-000 Pin, Shear	\$3.28
12	37448021	90105-ZV4-650	90105-ZV4-650 Bolt, Oil Check 8x8	\$6.22
13	31733821	90113-ZV0-000	90113-ZV0-000 Bolt, Hex 6x35	\$3.79
14	29450461	90127-ZV4-000	90127-ZV4-000 Bolt, Hex 6x16	\$1.67
16	28006051	90506-ZV4-000	90506-ZV4-000 Washer, Plain 6mm	\$2.32
17	02851301	90507-921-000	90507-921-000 Washer, Nylon 8mm	\$0.97
18	18165451	90531-ZV0-000	90531-ZV0-000 Washer A, Gear (1.00)	\$2.15
**	20761721	90532-ZV0-000	90532-ZV0-000 Washer B, Gear (1.05)	\$2.47
**	20761801	90533-ZV0-000	90533-ZV0-000 Washer C Gear 1.10	\$2.41
**	20761981	90534-ZV0-000	90534-ZV0-000 Washer D Gear 1.15	\$2.41
**	20762061	90535-ZV0-000	90535-ZV0-000 Washer E Gear 1.20	\$2.41
19	00693101	94301-08140	94301-08140 Pin, Dowel 8x14 (GX270)	\$1.38
20	16416201	90755-SB2-000	90755-SB2-000 E-Ring 6mm	\$2.97
21	18165861	90757-ZV0-000	90757-ZV0-000 Pin, Split 3mm	\$2.81
22	18166281	91251-ZV0-003	91251-ZV0-003 Seal, Water 11x21x8	\$4.85
23	18166361	91253-ZV0-003	91253-ZV0-003 Seal, Water 22x21x8	\$6.62
24	28011731	92101-06012-4J	92101-06012-4J Bolt, Hex 6x12	\$1.67
25	06712971	96100-60000-00	96100-60000-00 Bearing, Radial Ball	\$8.84

Crankshaft - BF2D/BF2.3D



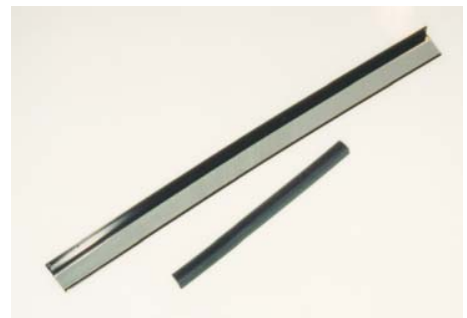
Boat hull trim



Replacement hull trim and rivets.

Due to the nature of chemicals and Sun that your bumper boats are exposed to daily while in the pool, the hull trim can sometimes deteriorate and look bad. This piece of trim needs to be in place to cover the edge of the fiberglass hull.

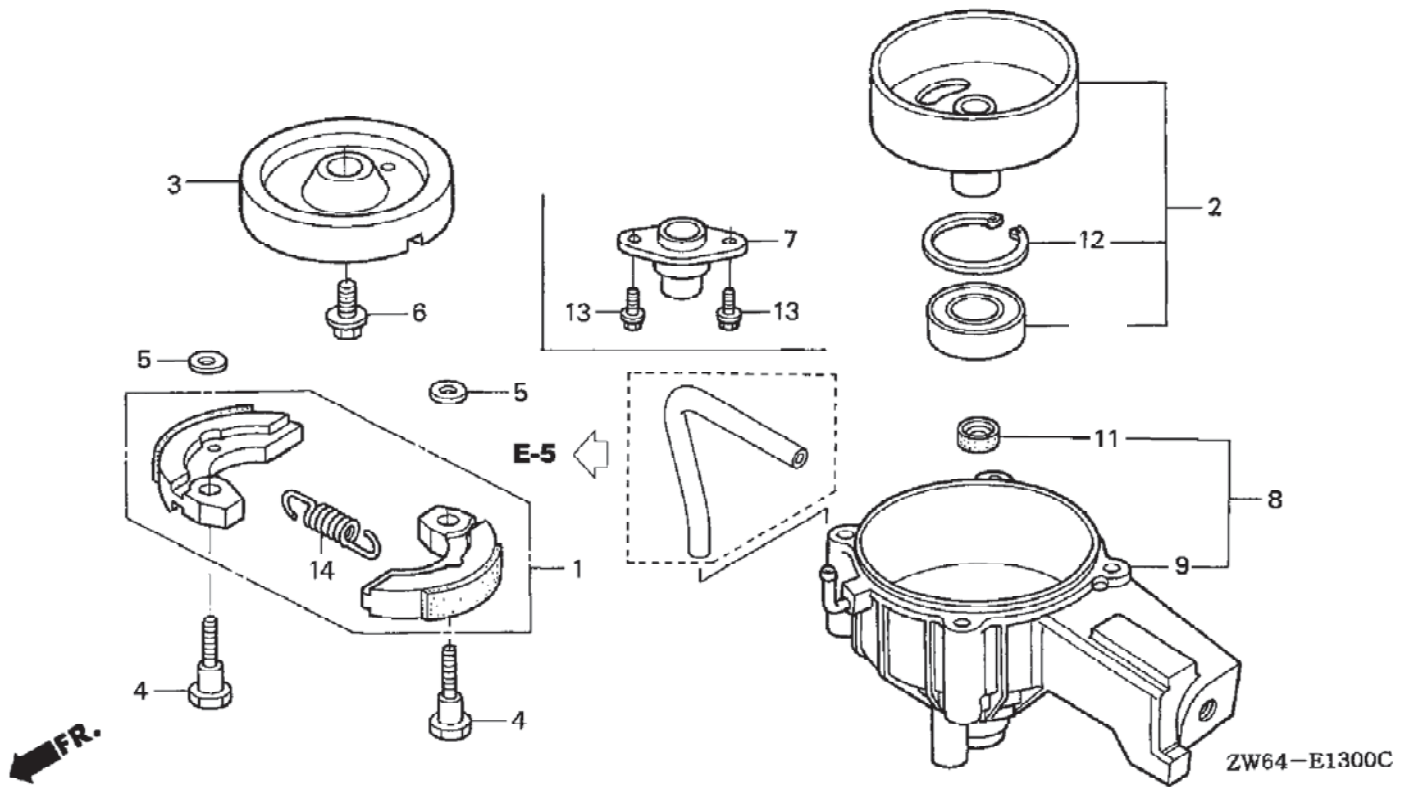
303 Protectant helps prolong the life of this trim piece by added an UV resistant coating. See pages 34-35 for 303 product information.



Fpx#	Description	Price
002778	Trim, Self Adhesive Bumper Boats/ThunderBolt 15 ft.	\$91.99
002471R	Rivet, 3/16 x 1/2 Pop Alum	\$0.31

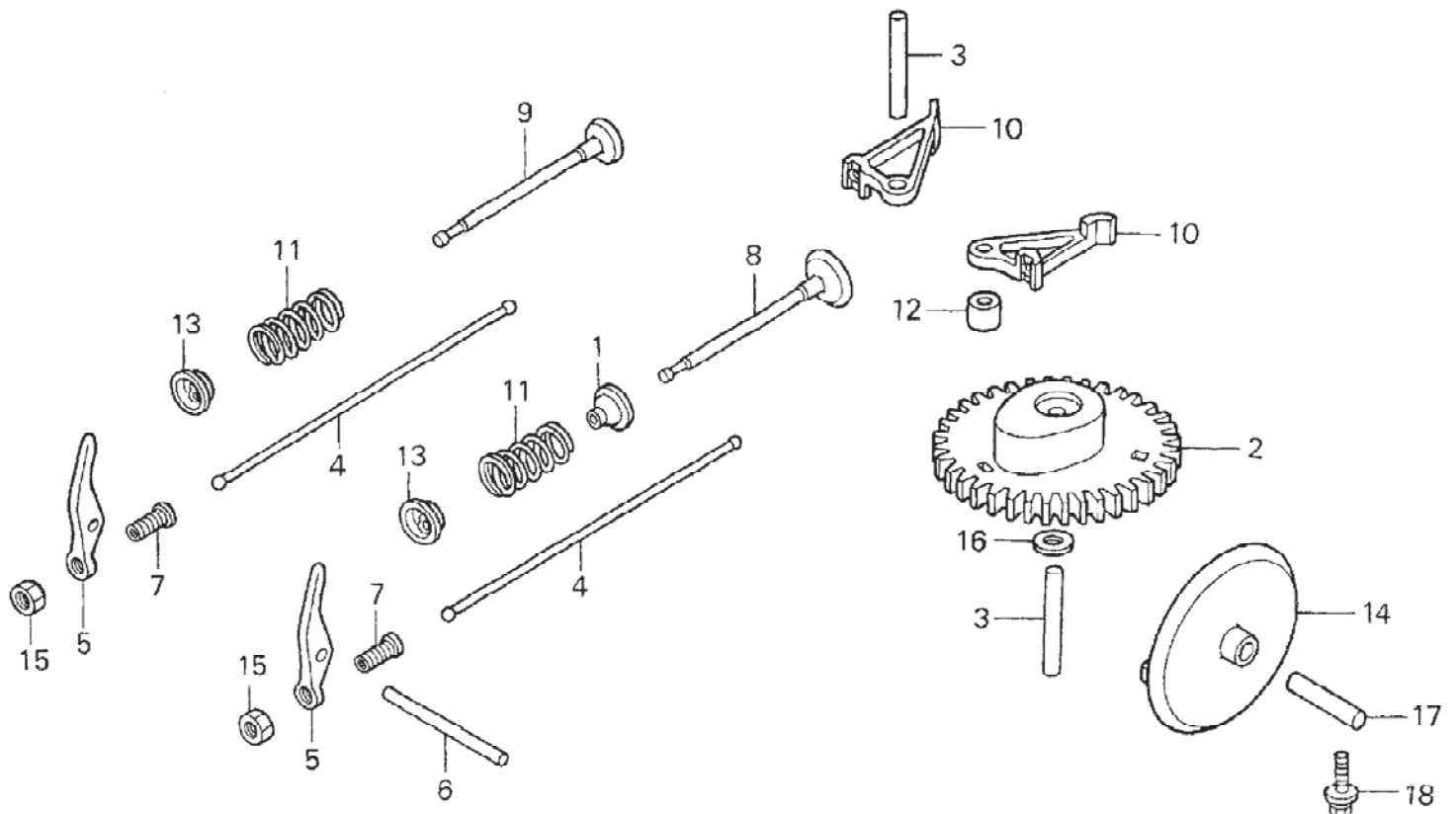
Ref #	FPX #	Honda #	Description	Price
01	5988282	13310-ZN4-020	13310-ZN4-020 Crankshaft Comp. (BF2D)	\$151.55
02	5988290	13331-ZM7-000	13331-ZM7-000 Key, Special	\$3.33

Clutch - BF2D/BF2.3D



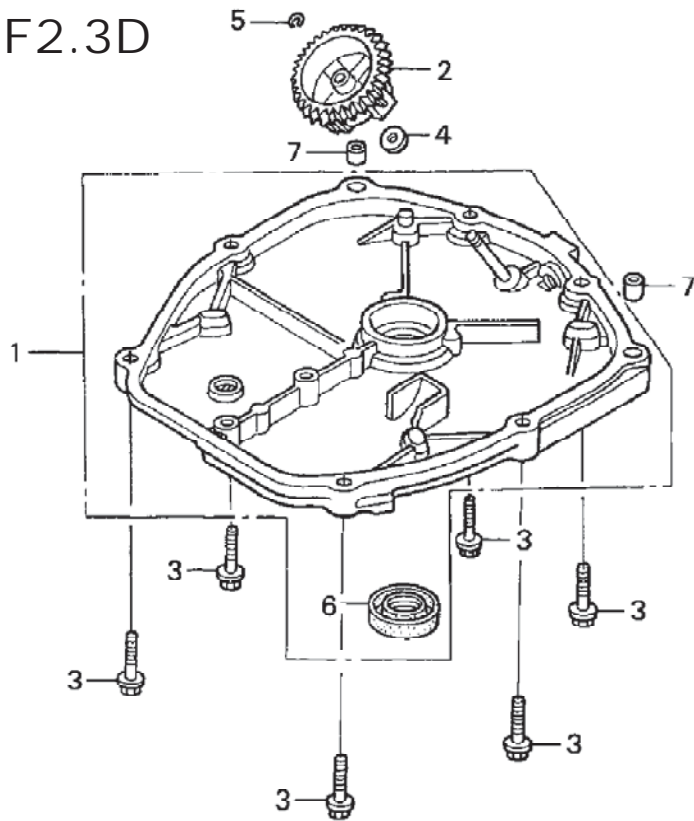
Ref #	FPX #	Honda #	Description	Price
01	6006795	22000-ZW6-701	22000-ZW6-701 CLUTCH ASSY.	\$34.05
02	8959363	22100-ZW6-70	22100-ZW6-704 Clutch Outer Assy.	\$76.57
03	7183783	22214-ZW6-701	22214-ZW6-701 Stay, Clutch	\$38.21
04	6006829	22253-ZW6-700	22253-ZW6-700 Bolt, Clutch (8mm)	\$2.54
05	6006837	22254-ZW6-700	22254-ZW6-700 Washer, Plain (8mm)	\$1.50
06	6006845	22255-ZN4-000	22255-ZN4-000 Bolt, (8mm)	\$2.21
07	6006852	22257-ZW6-000	22257-ZW6-000 Shaft, Extension	\$53.69
08	8270241	22260-ZW6-030	22260-ZW6-030 Housing Assy, Clutch with Seal	\$82.79
09	8270258	22261-ZW6-030	22261-ZW6-030 Housing, Clutch without Seal SEE NOTES	\$58.87
11	6433403	91251-ZW6-013	91251-ZW6-013 Seal (11x21x8)	\$7.77
12	0562330	94520-42000	94520-42000 CirClip, (42MM)	\$1.73
14	6050694	22252-ZW6-701	22252-ZW6-701 Spring, Clutch Shoe	\$8.39

Camshaft - BF2D/BF2.3D



Ref #	FPX #	Honda #	Description	Price
01	5988225	12209-ZM7-003	12209-ZM7-003 Seal, Valve Stem	\$6.68
02	6006415	14111-ZM7-000	14111-ZM7-000 Camshaft	\$11.28
03	6062632	90702-P6R-008	90702-P6R-008 Pin, Oil Pump	\$2.76
04	5988324	14410-ZM7-000	14410-ZM7-000 Rod, Push	\$4.07
05	5988332	14431-ZM7-000	14431-ZM7-000 Arm, Valve Rocker	\$11.00
06	5988340	14435-ZM7-003	14435-ZM7-003 Roller (4 x 37.8)	\$1.16
07	5988357	14451-ZM7-000	14451-ZM7-000 Pivot, Rocker Arm	\$2.68
08	6006423	14711-ZW6-000	14711-ZW6-000 Valve, In.	\$11.97
09	6006431	14721-ZW6-000	14721-ZW6-000 Valve, Ex.	\$15.17
10	6222020	14731-ZM7-013	14731-ZM7-013 Lifter, Valve	\$5.74
11	5988399	14751-ZM7-000	14751-ZM7-000 Spring Valve	\$1.41
12	5988407	14754-ZM7-000	14754-ZM7-000 Collar, Lifter	\$1.67
13	6133110	14771-ZM3-010	14771-ZM3-010 Retainer, Valve Spring	\$2.58
14	5988423	15361-ZN4-000	15361-ZN4-000 Slinger, Oil	\$4.75
15	1846849	90206-KM3-000	90206-KM3-000 Nut, tappet Adj.	\$1.34
16	6008924	90401-ZW6-000	90401-ZW6-000 Washer (6mm)	\$1.67
17	2503167	91151-VB5-800	91151-VB5-800 Roller (6 X 25)	\$1.48
18	5989025	93404-05016-08	93404-05016-08 Bolt-Washer (5 X 16)	\$0.65

Crankcase - BF2D/BF2.3D



Pennants

Enhance your park with a racing image! These flags come in an assortment of different styles to suit your needs.

A. Nylon printed checkered flag finished with canvas heading and brass grommets.

B. These stiff muslin flags come mounted on their own dowels. Sizes include 4"x4" and 12"x18".



Patriotic U.S. Flag Strings



Multi-Colored Pennant String



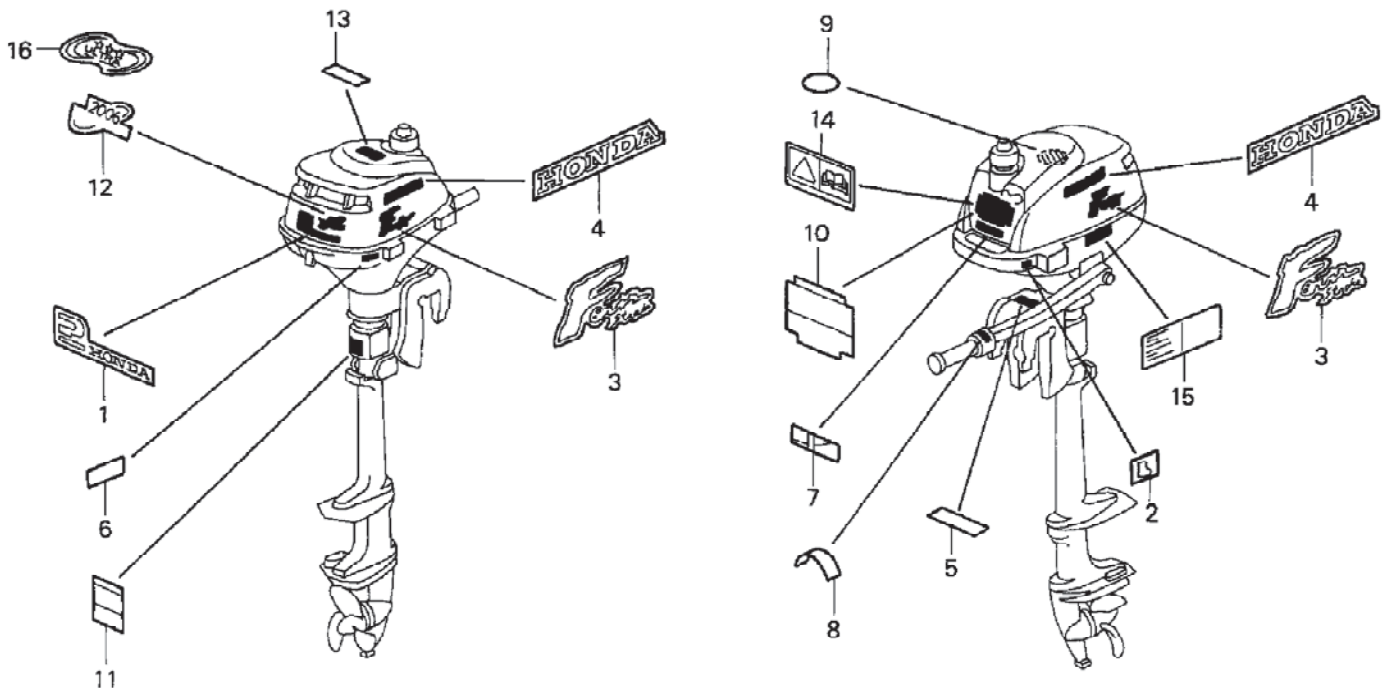
Racetrack Pennant String



Fpx#	Description	Price
800	Flag, Checkered 24" x 24" w/36" Dowel	\$78.99
801	Flag, Checkered 4" x 4" w/10" Dowel	\$2.39
802	Flag, Checkered 12" x 18" w/30" Dowel	\$6.66
803	Flag, Checkered 2' x 3'	\$76.52
804	Flag, Checkered 3' x 5'	\$85.90
804	Flag, Checkered 3' x 5'	\$85.90
806	Flag, Yellow 24" x 24" w/36" dowel	\$29.17
807	Flag, Black 24" x 24" w/36" dowel	\$35.70
808	Flag, Red 24" x 24" w/36" Dowel	\$33.99
809	Flag, Green 24" x 24" w/36" Dowel	\$33.99
810	Flag, White 24" x 24" w/36" Dowel	\$33.99
811	Flag, Blue w/Yellow Diagonal 24" x 24" W/36" Dowel	\$19.07
812	Flag, Starter Set 24" x 24" W/36" Dowel (Set Of 7)	\$199.00
813	Pennant, Multi-Colored String 12" x 18" x 25' 4-mil	\$13.58
3-60-0013	Pennant, US Flags String 12" x 18" x 60' Square	\$29.62
3-60-0014	Pennant, American Pennant Strings 12" x 18" x 25'	\$12.34

Ref #	FPX #	Honda #	Description	Price
01	6675938	11340-ZW6-020	11340-ZW6-020 CVR, Crankcase Side	\$81.00
02	6006522	16512-ZM7-D00	16512-ZM7-D00 Holder	\$6.68
03	5988944	90006-ZM7-000	90006-ZM7-000 Bolt, Flange (5 X 23)	\$1.75
04	5988985	90441-ZM7-000	90441-ZM7-000 Washer (4.2 x 13)	\$1.69
05	5988993	90602-ZM7-000	90602-ZM7-000 Clip	\$1.38
06	2728889	91202-HC5-005	91202-HC5-005 Seal, Oil (17X27x5)	\$3.86
07	0294256	94301-06100	94301-06100 Pin, Dowel (6 x 10)	\$1.36

Decals - BF2D/BF2.3D



Ref #	FPX #	Honda #	Description	Price
01	6008692	87121-ZW6-000	87121-ZW6-000 Mark, RR.	\$7.18
02	6008700	87124-ZW6-000	87124-ZW6-000 Mark	\$1.55
03	6008718	87131-ZW6-000	87131-ZW6-000 Mark, Side	\$6.53
04	6008726	87132-ZW6-000	87132-ZW6-000 Mark, Side Stripe	\$5.42
06	1816222	87521-ZV0-610	87521-ZV0-610 Mark, Fuel Valve	\$1.71
08	6008759	87533-ZW6-740	87533-ZW6-740 Mark, Throttle	\$6.53
09	6008767	87537-ZW6-000	87537-ZW6-000 Label	\$2.38
10	6008775	87538-ZW6-740	87538-ZW6-740 Label	\$9.90
12	5688866	87634-ZW4-D20	87634-ZW4-D20 Mark (EPA 2006)	\$11.56
13	4646220	87125-ZV0-A21	87125-ZV0-A21 Mark, Spare Clip (E)	\$3.24
14	6059026	87531-ZV5-611	87531-ZV5-611 Label, Oil Caution	\$1.77
15	2651024	87535-ZV0-860	87535-ZV0-860 Caution, Storing	\$5.23

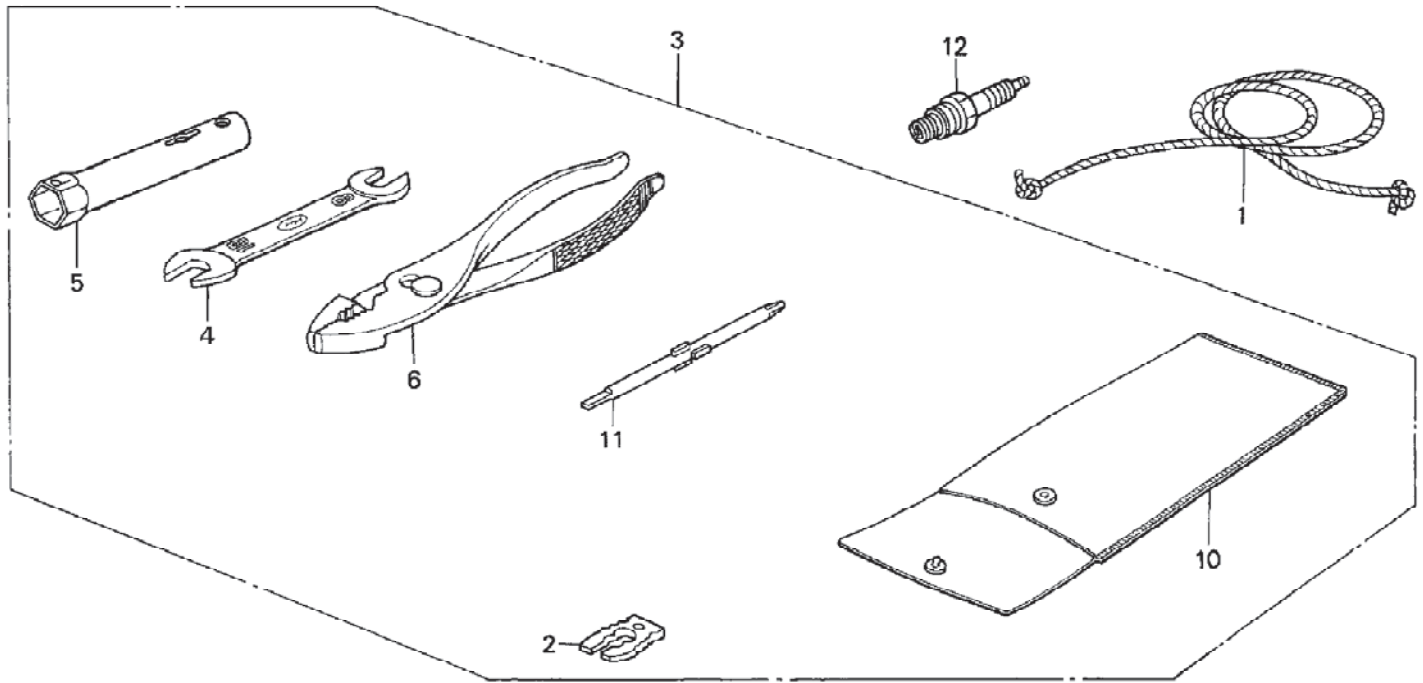
E-MAIL: parts@funpartsexpress.com Internet: <http://www.funpartsexpress.com>

TOLL FREE PHONE ORDERING: 1-800-854-3140

INTERNATIONAL PHONE ORDERING: 1-503-304-8899

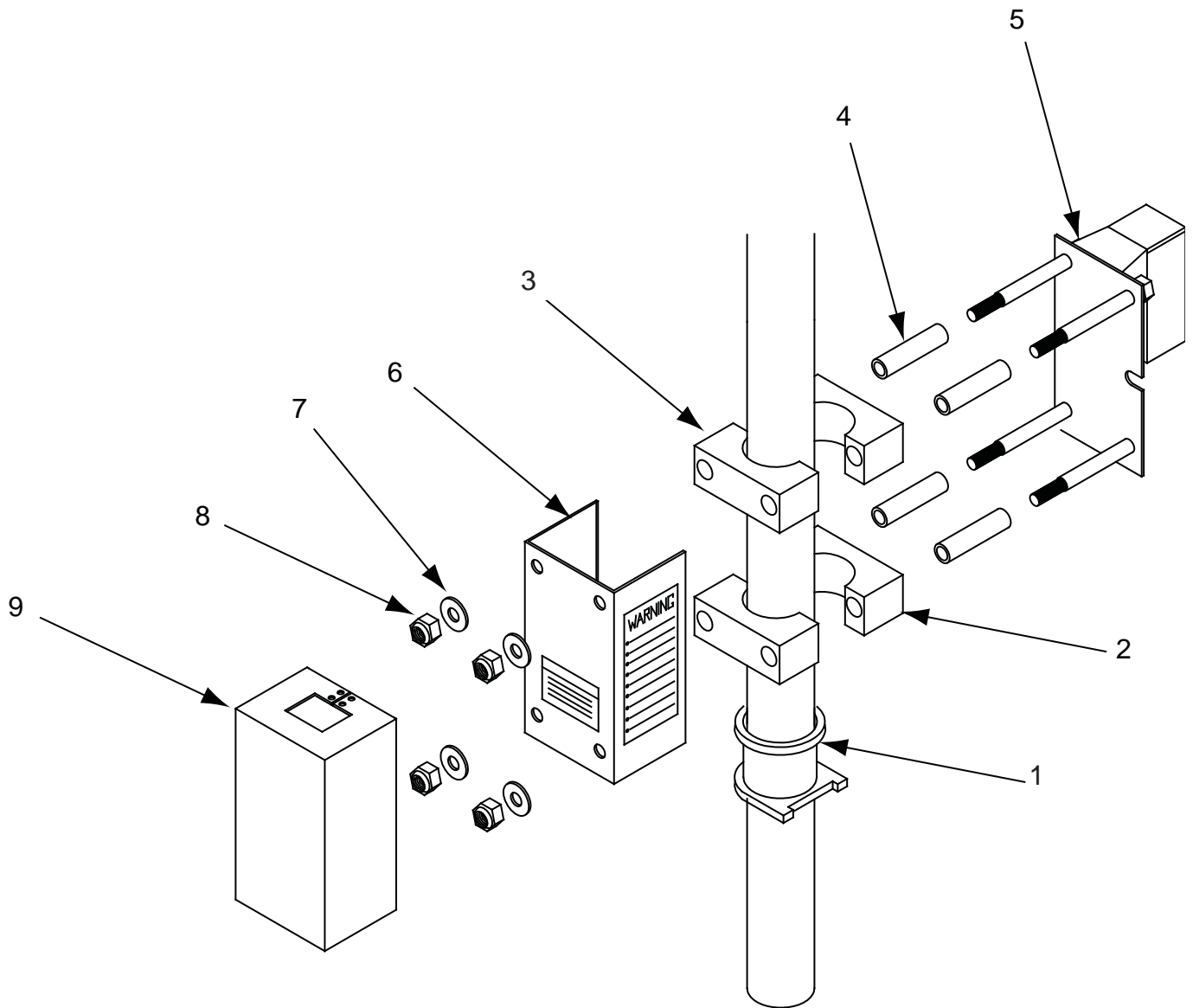
Prices subject to change without notice. 29

Special Tools/Manual - BF2D/BF2.3D



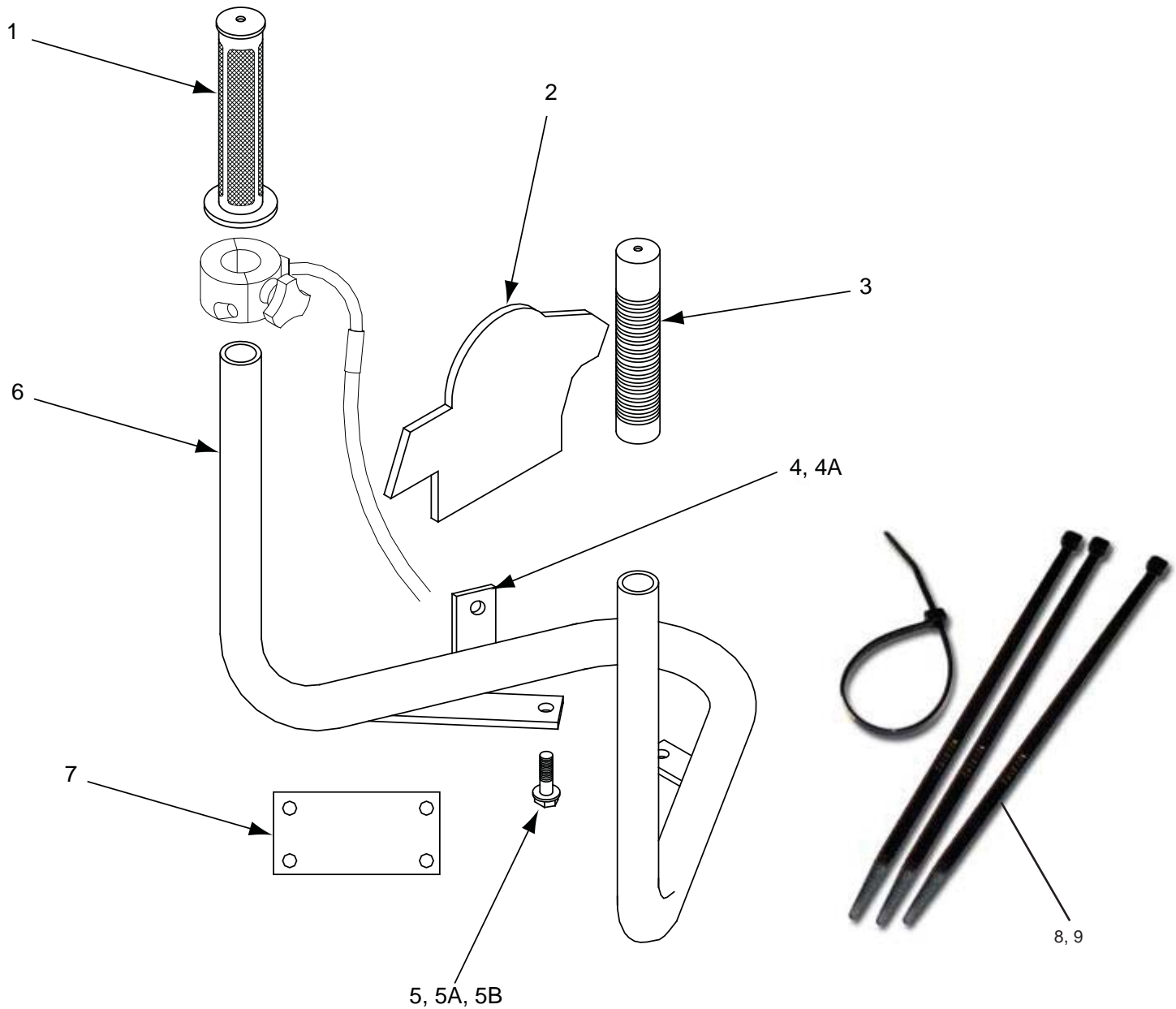
Ref #	FPX #	Honda #	Description	Price
01	52687921		Rope, Starter 200' Roll #4.5 (Bumper Boat)08545-ZG921-11	\$22.99
02	3749231	36187-ZV4-651	36182-ZV4-651 Clip, Emergency Lock	\$4.55
03	6008825	89000-ZW6-000	89000-ZW6-000 Tool Kit	\$31.27
04	5747878	89203-VF9-003	89203-VF9-003 Spanner (8 x 10)	\$3.71
05	0390872	89216-130-690	89216-130-690 Wrench, Spark Plug (For NGK R5HSB new BF2D	\$7.63
06	0069252	99002-13500	99002-13500 Pliers (135)	\$3.76
10	1719467	89101-KJ9-000	89101-KJ9-000 Bag, Tool	\$4.77
11	0127480	83513-044-000	83513-044-000 Driver	\$3.99
**	6142129	61ZW600	Manual, Shop 61ZW600 (BF2D)	\$62.99

Pivot - BF2D/BF2.3D



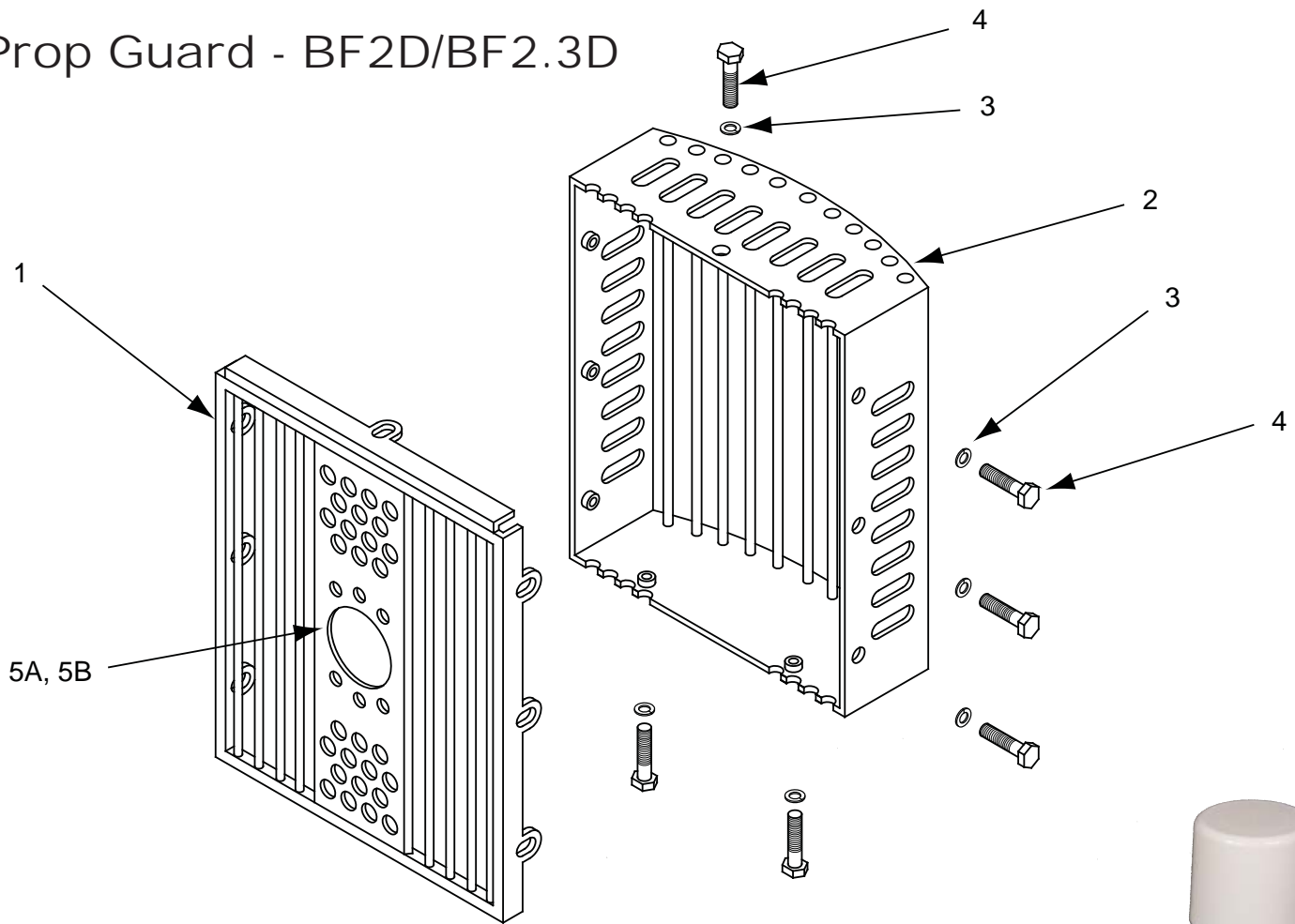
Ref #	FPX #	Honda #	Description	Price
01	002914G		Bushing, Pivot INSERT GREEN (Honda BF2DX or BF2A)	\$80.00
02	002913		Bushing, Pivot UHMW Lower (each half)	\$10.00
03	002912G		Bushing, Pivot UPPER Green (Both Half) (Honda BF2DX)	\$69.56
04	002722		Spacer, 3/4 O.D. .095 UHMW Pivot	\$4.99
05	00273		Pivot, Bracket, Socket Style (UHMW Style)	\$160.00
06	2-10-0006		Pivot, Water Shield BF2D (Rev A)	\$19.23
07	009681		Washer, 1/2 x 7/8 S/S Flat	\$0.12
08	009455		Nut, 1/2-13 Nyloc SS	\$1.88
09	2-60-0073		Guard, Rubber Pivot Area BF2D (Mounts to shield style)	\$66.81
**	00136		Tie, Cable 8"	\$0.18
**	A00273		Pivot Assy., UHMW Socket Type (Honda BF2)	\$234.45

Handle Bars - BF2D/BF2.3D



Ref #	FPX #	Honda #	Description	Price
01	3381563	53167-GW0-305	53167-GW0-305 Grip Set, Right Handle	\$5.59
02	2-60-0002		Guard, Rubber Oil Drain (BF2D)	\$5.00
03	00238		Grip, Bumper Boat Motors (Red)	\$3.99
04	0097114		Bolt, 8 x 20mm G5Z Hex (3/4")	\$0.59
4a	009542		Washer, 5/16 S/S Lock	\$0.23
05	2-10-0001		Bolt, 6 x 30mm S/S	\$1.06
5a	00289		Washer, 1/4 X 5/8 S/S Flat	\$0.15
5b	00290		Washer, 1/4 S/S Lock	\$0.13
06	00237DX		Handle Bar, Honda BF2DX (Post-2000)	\$123.00
7	2-60-0004		Guard, Rubber Handlebar	\$6.20
8	00136		Tie, Cable 8"	\$0.18
9	00137		Tie, Cable 4"	\$0.08

Prop Guard - BF2D/BF2.3D



Corrosion Block

Corrosion Block is a clean fluid that actively protects metal using advanced polar bonding chemistry. Synthetic additives in Corrosion Block completely penetrate corrosion cells... replacing the salt water which is then allowed to evaporate. Corrosion Block's hydrophobic film remains to further protect the metal acting like an "OFF SWITCH" for corrosion.



Fpx#	Description	Price
99101	Corrosion Block, Pump Spray 4 oz. Protector/Penetrant	\$8.15
99108	Corrosion Block, Grease 14oz Cartridge	\$14.99
99109	Corrosion Block, Grease 16oz	\$14.79
3-60-0002	Corrosion Block, Grease 2 oz. Tube	\$6.25
99101S	Corrosion Block, Pump Spray 4 oz. Protector/Penetrant	\$8.15

Ref #	FPX #	Honda #	Description	Price
01	2-20-0007		Guard, Prop Free Flow Back Plate Carolina (Mounts to gearbx)	\$77.00
02	2-20-0009		Guard, Prop Free Flow Front Cover Rev B Carolina(Mts to back	\$94.00
03	00290		Washer, 1/4 S/S Lock	\$0.13
04	002983		Bolt, 1/4-20 x 1/2 316 S/S HCS	\$0.53
05a	2-20-A0003		Guard, Prop Free Flow Assy (Honda/Electric) Carolina	\$169.00
05b	HCM06X1X02018		Bolt, 6 x 20mm S/S BM	\$0.59

CLEANING BUMPER BOATS

CLEANING BOAT HULLS

The best way to preserve your bumper boat's finish is to keep it clean by washing it often with lukewarm or cold water. Don't wash your boat in the direct rays of the sun. Don't use strong soaps or chemical detergents. Use liquid hand, dish or car washing (mild detergent) soaps. Don't use cleaning agents that contain acid or abrasives. All cleaning agents should be flushed promptly and not allowed to dry on the surface, or they could stain. Dry the finish with a soft, clean chamois or a 100% cotton towel to avoid surface scratches and water spotting.

NOTE: Do not damage warning decals. Damaged or illegible warning decals must be replaced immediately.

FINISH CARE

Occasional waxing or mild polishing of your karts may be necessary to remove residue from the finish. Use an approved fiberglass polish. 303 Protectant can be used on clean go-kart bodies to act as a UV protectant.

NOTE: Machine compounding or aggressive polishing on the body may dull the finish or leave swirl marks.

HULL TRIM

Silicone grease on hull trims will make them last longer. Apply silicone grease with a clean cloth at least three times per season. During very cold, damp weather, more frequent application may be required.

FINISH DAMAGE

Any stone chips, fractures or deep scratches in the finish should be repaired right away. Minor chips and scratches can be repaired with materials available from almost any auto parts store. Larger areas of finish damage can be corrected by a local body and paint shop.

CHEMICAL SPOTTING & SUN FADING

Some weather and atmospheric conditions can create a chemical fallout. Airborne pollutants can fall upon and attack the surfaces on your boat. This damage can take two forms: blotchy, ringlet-shaped discolorations, and small irregular dark spots etched into the paint surface.

CLEANERS AND PROTECTANTS

J&J carries many cleaning and protection products to keep your go-karts in top condition. From smaller spray bottles to 5 gallon containers of product, we've got you covered. Give us a call!



DECADES OF EVOLUTION HAVE CREATED THE HIGHEST QUALITY, BEST PERFORMING GO-KARTS & BUMPERBOATS IN THE INDUSTRY.

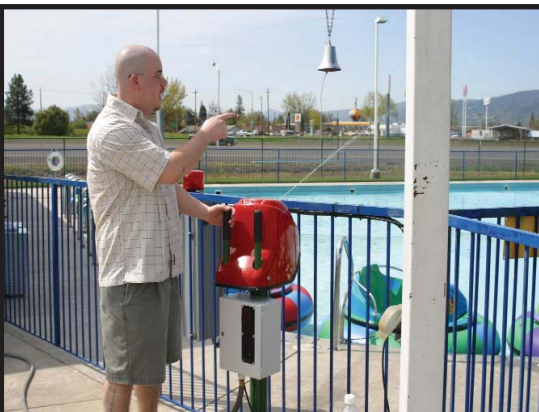
ARE YOU LOOKING FOR A WAY TO MAKE MORE MONEY? HERE'S AN EASY WAY. JUST MOUNT A FEW OF THE MASTER BLASTER WATER SQUIRTERS AROUND YOUR BUMPERBOAT POND AND VOILA!

A SIMPLE, RUGGED MONEY MAKER. QUICK PAYOUT ON THIS ATTRACTION.

EASY INSTALLATION, FOUR 1/2" ANCHOR BOLTS ON 10-1/2" CENTERS. ONE HALF INCH NPT NIPPLE TO INTERFACE WITH PARK FRESH WATER SUPPLY SYSTEM. 24VAC GROUND FAULT INTERRUPTER CIRCUIT REQUIRED. (CHECK LOCAL ELECTRICAL CODES).

METAL PARTS PROTECTED BY SPECIAL DOUBLE COATING PROCESS FOR CORROSION PROTECTION. EACH UNIT CAN BE ADJUSTED (BOTH HEIGHT AND WATER FLOW) TO MEET YOUR NEEDS. FITTED WITH A QUICK CHANGE COIN/TOKEN MECHANISM.

<p>Master Blaster Base: 12"x12"x3/8" Steel Mounting Holes (4) 1/2" Diameter: 10.5" Center to center Center Column: 3.5" Steel Pipe Adjustable Height: 40" to 48" Adjustable Rotation Arc: 0 to 120 in 15 degree increments Adjustable Squirter Distance: 10 to 25 feet Replaceable Rotation Bushings: UHMW Water Supply: 30 to 80 PSI (City or Park System) Paint: Double coating - Special process</p>	<p>Cover: Fiberglass Top with Choice of Color. Control System Cabinet: NEMA/EEMAC Type 4 Cabinet Size: 13.78"x11.81"x7.87" Coin Mechanism: Quarter Size Coin Coin Box: 6"x7"x4" Setable Coin Amount: 1 to 7 coins Adjustable "On" Time: .1 to 12.7 Minutes Power: 24VAC @ 2 amps Power Source: GFI Breaker Required Internal Fuse: 2 Amp</p>
---	--



COIN OPERATED "POND SIDE" WATER SQUIRTER



4897 INDIAN SCHOOL ROAD NE
 SALEM, OR. U.S.A. 97305
 1-800-854-3140 OR 1-50-304-8899
 WWW.JJAMUSEMENTS.COM

Falcon - for the smallest drivers.

Hand controls easily accommodate young drivers



Keep the entire family at your park longer by keeping the youngest member of the family happy. Just charge the kart overnight and the electric-powered Falcon will keep the littlest guest smiling the entire day through.

J&J's Falcon go-kart is made especially for the smallest patrons. This little electric-powered go-kart is tough; it runs and runs...and runs!

Specifications

Length	Width
52"(132cm)	27.6"(70cm)



Kiddie Go-Karts

Portable, inflatable Falcon track that sets up in minutes anywhere!



Dimensions:
48'x31.5'x8'

Track comes with heavy-duty blower.
Falcon go-karts not included.

Bumper boat work bench mount



A receiver mounted to your work bench will make servicing your fleet of bumper boat motors safer and quicker. There's no better way to hold your motor steady while servicing.

Maximize efficiency in your shop: add two or three receivers to your work bench today!



Fpx#	Description	Price
50011	Receiver, Socket Type (Current)	\$75.00



Full Size Go-Karts from



THE EAGLE*
(Available as two-seater)

Nerf Bar is an option on fiberglass bodied go-karts. Nerf Bar is standard equipment on non-bodied go-karts.





THE F-22
(Available as two-seater)

Optional UHMW bumpers
available



THE SIDEWINDER*
(Available as two-seater)



THE SCORPION
(Available as two-seater)

* Available in electric-powered

J&J's gas-powered bumper boat... The original still going strong!

BF2.3D Engine

Chosen for its reputation for dependable service, and its reduced emissions (less smoke and less oil in the water), this motor quietly performs. Initially designed for use in the corrosive marine environment, this dependable unit has been modified to be controlled from behind, and transformed to operate in bumper boat pond conditions.

Room for 3;
1 adult & 2 children

J&J equipped
Honda BF2D
gas engine

Fiberglass hull

This seamless, two-piece, fiberglass hull comes in an array of colors to choose from. Pick two colors from our extensive color list, and we'll build it. Match it up with an optional (standard on Blasterboat) Super Tube in your choice of two colors and we'll do the rest.

Hand rails

J&J is always concerned with safety, and we design our products with it at the top of the design criteria. With this in mind, we added the safety hand rails to the bumper boat hulls to allow safer and easier access into and out of the bumper boats.

Prop guard

Our prop guards are designed to allow maximum flow, while meeting the safety requirements of every known standard. Built to last in the most corrosive of environments, prop guards are made of stainless steel, then powder-coated to extend life and reduce electrolysis.

Stainless steel
handrails & all stainless
hardware

Heavy-duty
fiberglass
hull

Heavy-duty
Super Tube

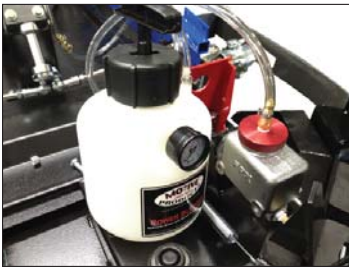


The best electric bumper boat ever!

With electric power and a "water blaster" squirter, your customers will come back for more. All-day operation on a single charge!



Fluid transfer tools



BLEED YOUR BRAKES WITH EASE. EASY TO USE POWER BLEEDER SIMPLY WORKS GREAT. REDUCES PEDAL MUSH BY FORCING ALL THE AIR OUT OF THE SYSTEM!

Power brake bleeder tool
#3-96-0032

BEST DEAL!

Oil Extractor
FPX - Electric operated.
#1-60-0130



Oil Extractor
Air operated
#011060



Oil Dispenser
Air operated w/meter
#011050



SIMPLE, EASY OIL EXTRACTION. JUST INSERT THE SUCTION TUBE INTO THE CRANKCASE FILLER NECK AND GIVE IT A FEW PUMPS TO START THE SUCTION.

Hand operated oil extractor #5958434



SHOP TOOLS SHOP TOOLS

Tire tools



**BEAD BREAKER HD
A QUICK AND SAFE
WAY TO REMOVE
YOUR TIRES FROM
THE RIMS.**

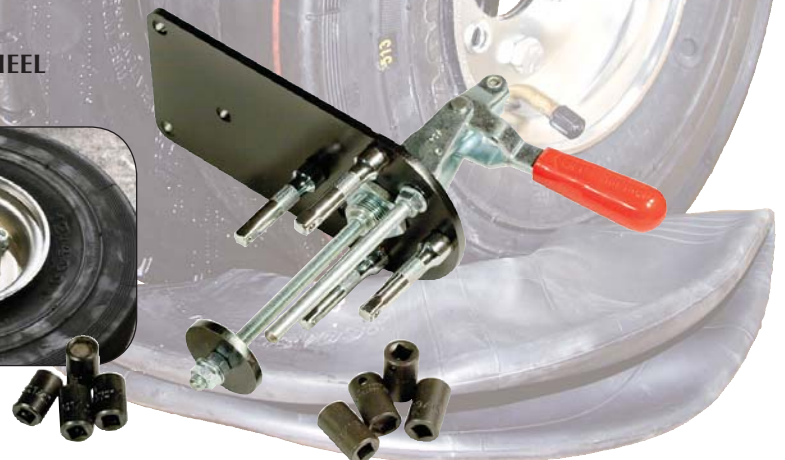
Tire Bead Breaker
3-96-A0001

This wheel assembly tool is designed for assembly and disassembly of your tire/rim assemblies. This tool is a real time and back saver!

SAVE TIME AND REDUCE PINCHED TUBES WITH THE WHEEL ASSEMBLY TOOL.



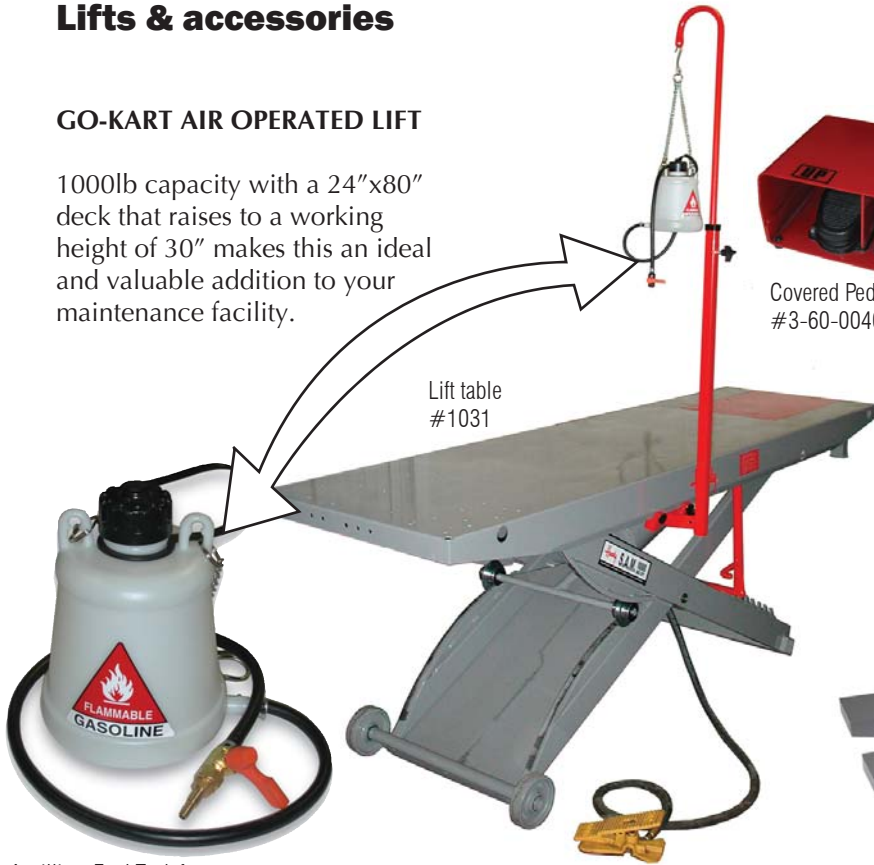
Wheel Assembly Tool #1-20-T001



Lifts & accessories

GO-KART AIR OPERATED LIFT

1000lb capacity with a 24"x80" deck that raises to a working height of 30" makes this an ideal and valuable addition to your maintenance facility.



Lift table
#1031

Auxilliary Fuel Tank for
lifts, #3-96-0039

Pole Attachment for lifts (lift not included),
#3-60-0042



Covered Pedal,
#3-60-0040

Electric Lift, #3-60-0043



These small electric or manual lifts are perfect for maintaining small equipment like lawnmowers, track blasters and more.



Lift Extensions, #3-60-0049

LS SHOP TOOLS SHOP TOOLS

FunParts Xpress carries many of the tools you'll need to keep your go-karts on track.

Call us today to get your matenance facility equipped with all the essential tools you need.



Now it's easy to set the speed of your entire go-kart fleet.

The Vortex Pro 1200 Kart Speed Gauge is a clean, simple, rugged instrument for measuring and setting kart speed from a spinning rear wheel. Based on a German-made Sigma Sport BC1200 cycling computer, it accurately displays current speed, with the ability to store maximum and average speeds and other functions as well. The Vortex can be used on either side of the kart, at speeds up to approximately 60mph (100kph). The auto-on and power save features ensure many months of use without changing batteries.

1-60-0206

Gas Caddy from



GAS CADDY FEATURES

Heavy gauge welded steel. Two-way rotary pump. Clear hose for observing flow. Sturdy wheels for easy moving. Gas Gauge. 30 gallons capacity. Epoxy powder coated. Note: Nozzle is not included with Gas Caddy

Tired of the 5 gallon gas can hassle? Concerned about safety? Insurance Inspector been bugging you?

The Gas Caddy can be your salvation. Heavy gauge epoxy powder coated, welded steel construction. The sturdy wheels allow easy roll around for up to 30 gallons of fuel. The clear hose enables you to observe flow and the reversible rotary pump allows you to dispense or remove fuel. The sight gauge keeps tabs on the amount of fuel remaining in the unit. Gas Caddy includes a ground wire clip.

Be Safe - Sleep Nights - Get a Gas Caddy.

Fpx#	Description	Price
00223	Gas Caddy, Complete 30 Gal.	\$565.00
3-60-0066	Pump, Gas Caddy (Blackmer) Optional for Gas Caddy One Way FI	\$209.59
c200	Pump, Gas Caddy	\$202.00

SLIDING VANE HAND PUMP

Sliding Vane Hand pump model PA 210A.. This is a type of sliding vane pump. This is a cast iron pump that is intended primarily for the transfer of fuel oil, lubricating oil, gasoline and other non-corrosive liquids.

This HD sliding vane hand pumps provide a safe, convenient method of dispensing or transferring non-corrosive liquids from drums, barrels, tanks or vats. They are designed for easy, efficient operation in handling a wide range of liquids in industrial, construction and agricultural applications.

Rotary hand pump features:

- Positive displacement
- Self priming design
- Low friction, chemically inert vanes
- Rugged, durable cast iron head/cylinder
- Handles Class I and Class II flammable and combustible liquids, FM approved.

Fax Order Form



Photocopy this order form.
 If you wish to confirm receipt call or e-mail:
 Phone: 1-503-304-8899 or 1-800-854-3140
 E-mail: parts@jjamusements.com

Fax Anytime - Day or Night
 Toll Free (USA) 1-800-366-7505
 International 1-503-304-1899

For the latest information visit www.funpartsexpress.com and www.jjamusements.com

Date: 10-16-14 Time: 9:18 AM/PM Customer # MY CUSTOMER # (Required for all orders)

E-mail: john @ johnsfuncenter.com

Bill to: Family Fun USA Ship to: Family Fun USA
123 Fun Street 123 Fun Street
Funtown, USA, 55513 Funtown, USA, 55513

Phone# (123) 123-1234 Ext: _____ Fax # (123) 123-1234

PO# or Contact Name: John Q. Sample

Visa M/C _____ Discover _____ AMEX _____ Verification Code 123

Card Number: 1 2 3 4 5 6 7 8 9 1 2 3 4 5 6 7 Expires: 11-23-16

Name on card: John Q. Sample Signature: Sign here
 (Print name exactly as it appears on the credit card.)

	Ship via UPS (please <input checked="" type="checkbox"/> one)	<input type="checkbox"/> UPS Ground (3-7 days)	<input type="checkbox"/> UPS Red (1 days)
		<input type="checkbox"/> UPS Orange (3 days)	<input type="checkbox"/> UPS Red Saturday (Select areas only)
		<input checked="" type="checkbox"/> UPS Blue (2 days)	<input type="checkbox"/> International

Part#	Qty	Description	Price
<u>30234880</u>	<u>1</u>	<u>Piston Ring A Set (JD240)AM</u>	<u>\$14.94</u>
<u>16724500</u>	<u>1</u>	<u>Spark Plug (W16FRR-1) 98079-55855</u>	<u>\$3.68</u>
3		<div style="border: 1px solid black; padding: 5px;"> Please be sure to fill in all the required information on this form in a clear manner. (Please print neatly). Make sure all credit card information is accurate. Make sure you select the type of shipping. The default is UPS Ground. You are responsible for all content and accuracy. Please note: Your order may not be processed if you have left out any required information. </div>	
4			
5			
6			
7			
8			
9			

Special instructions: Please call John if you cant the order in full, thanks!

Fax Order Form



Photocopy this order form.
 If you wish to confirm receipt call or e-mail:
 Phone: 1-503-304-8899 or 1-800-854-3140
 E-mail: parts@jjamusements.com

Fax Anytime - Day or Night
 Toll Free (USA) 1-800-366-7505
 International 1-503-304-1899

For the latest information visit www.funpartsxpress.com and www.jjamusements.com

Date: _____ Time: _____ AM/PM Customer # _____ (Required for all orders)

E-mail: _____ @ _____

Bill to: _____

Ship to: _____

Phone# () _____ Ext: _____

Fax # () _____

PO# or Contact Name: _____

Visa _____ M/C _____ Discover _____ AMEX _____ Verification Code _____

Card Number:

--	--	--	--	--	--	--	--	--	--	--	--	--	--	--	--	--	--	--	--

 Expires: _____

Name on card: _____ Signature: _____
(Print name exactly as it appears on the credit card.)

	Ship via UPS (please <input checked="checked" type="checkbox"/> one)	<input type="checkbox"/> UPS Ground (3-7 days) <input type="checkbox"/> UPS Orange (3 days) <input type="checkbox"/> UPS Blue (2 days)	<input type="checkbox"/> UPS Red (1 days) <input type="checkbox"/> UPS Red Saturday (Select areas only) <input type="checkbox"/> International
--	---	--	--

	Part#	Qty	Description	Price
1				
2				
3				
4				
5				
6				
7				
8				
9				

Special instructions: _____

Fax Order Form



Photocopy this order form.
 If you wish to confirm receipt call or e-mail:
 Phone: 1-503-304-8899 or 1-800-854-3140
 E-mail: parts@jjamusements.com

Fax Anytime - Day or Night
 Toll Free (USA) 1-800-366-7505
 International 1-503-304-1899

For the latest information visit www.funpartsexpress.com and www.jjamusements.com

Page 2

Company Name: _____ Customer # _____

	Part#	Qty	Description	Price
10				
11				
12				
13				
14				
15				
16				
17				
18				
19				
20				
21				
22				
23				
24				
25				
26				
27				
28				
29				

Double check all part numbers and descriptions before placing order.

All prices are subject to change without prior notice.

Parts guides are available on the internet. Get the latest news & updates:

www.funpartsexpress.com or www.jjamusements.com

Thank you for your order, your business is appreciated!

J&J Amusements and Fun Parts Xpress have an extensive library of publications to keep your maintenance department running and your GM happy!



Go-karts, bumper boats, parts & park accessories all under one roof!

