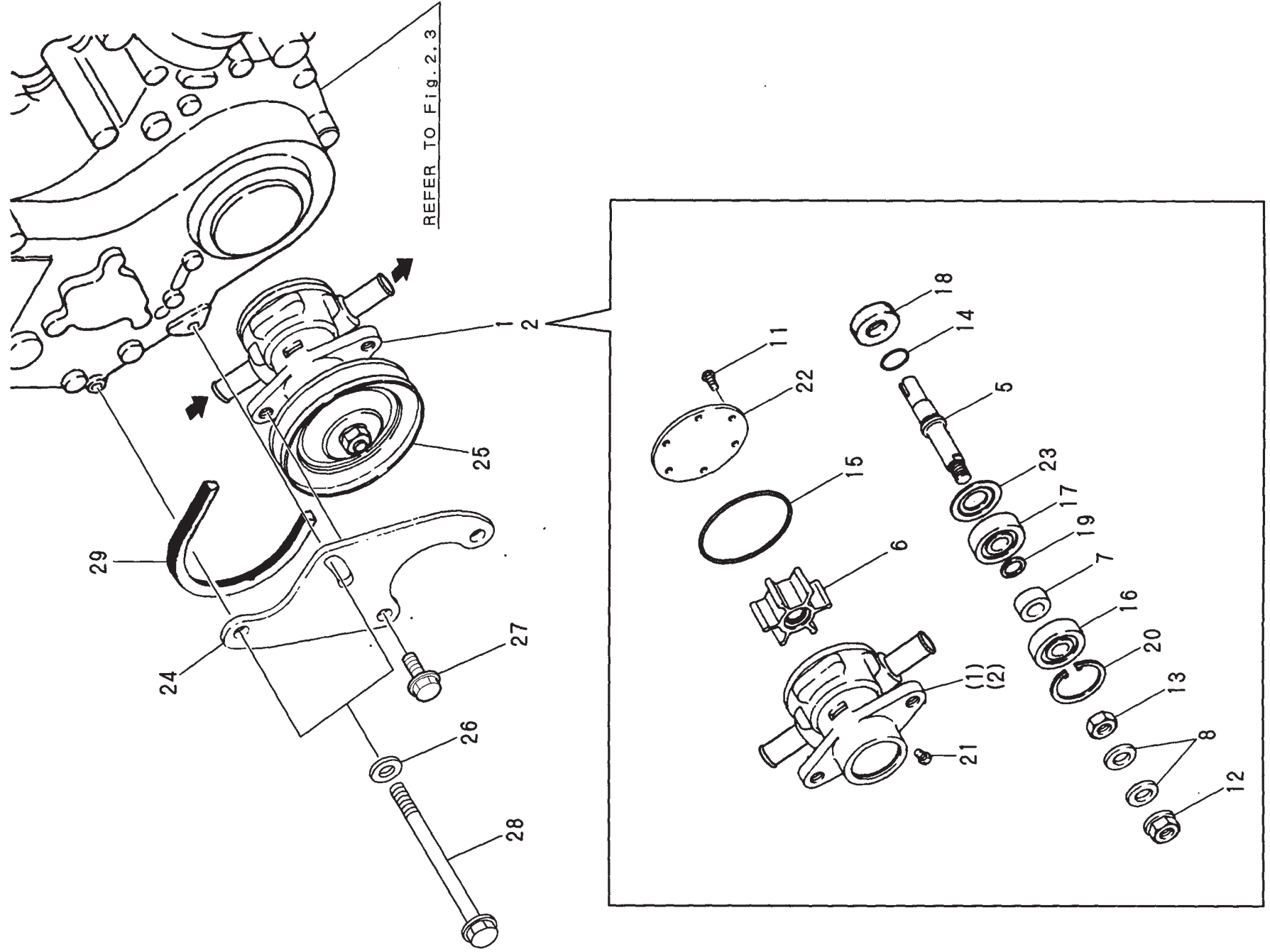


Fig.24. COOLING SEA WATER PUMP

Fig.24 冷却水ポンプ (海水)
COOLING SEA WATER PUMP



OCR10-G47101 24. COOLING SEA WATER PUMP

(A)=2GM20-YEU
(B)=2GM20C-YEU
(C)=2GM20F-YEU

(D)=2GM20FC-YEU
(E)=
(F)=

REF.	LEV.	PARTS NO.	DESCRIPTION	(A)	(B)	(C)	(D)	(E)	(F)	QTY	I	R
1	1	128377-42500	PUMP ASSY, C. WATER	1	1					1		
2	1	128397-42500	PUMP ASSY, C. WATER							1		
5	2	X0146541	SHAFT, FAN	1	1					1		
6	2	X08810B	IMPELLER, C. WATER	1	1					1		
7	2	X0146496	SPACER	1	1					1		
7-1	2	X0146542	SPACER	1	1					1		N
(A=E/#02275) (B=E/#02278) (C=E/#02274) (D=E/#02292)												
8	2	X0501133	WASHER	2	2					2		
11	2	X0504163	SCREW	6	6					6		
11-1	2	128377-42520	SCREW	6	6					6		R
(A=FROM 1ST) (B=FROM 1ST) (C=FROM 1ST) (D=FROM 1ST)												
12	2	X0505527	LOCK NUT	1	1					1		
13	2	X0505528	NUT	1	1					1		
14	2	X0506513	O-RING	1	1					1		
15	2	X0506523	O-RING	1	1					1		
15-1	2	X0506597	O-RING	1	1					1		N
(A=E/#02275) (B=E/#02278) (C=E/#02274) (D=E/#02292)												
16	2	X0508124	BALL BEARING	1	1					1		
17	2	X0508130	BALL BEARING	1	1					1		
18	2	X0529139	LIP SEAL	1	1					1		
19	2	X0534501	RETAINING RING	1	1					1		
20	2	X0534511	RETAINING RING	1	1					1		
21	2	X0504124	SCREW	1	1					1		
22	2	X0142398	COVER	1	1					1		
23	2	X0145050	PLATE	1	1					1		
24	1	128377-42150	BRACKET, C.W. PUMP	1	1					1		
25	1	124070-42400	V-PULLEY, C.W. PUMP	1	1					1		
26	1	22137-080000	WASHER 8, POLISHED	2	2					2		
27	1	26106-080122	BOLT M 8X 12 PLATED	2	2					2		
28	1	26106-081202	BOLT M 8X120 PLATED	2	2					2		
29	1	104511-78780	V-BELT	1	1					1		