

Prowler 420



PROWLER 420



*Above photo courtesy of
Barry Morgan*



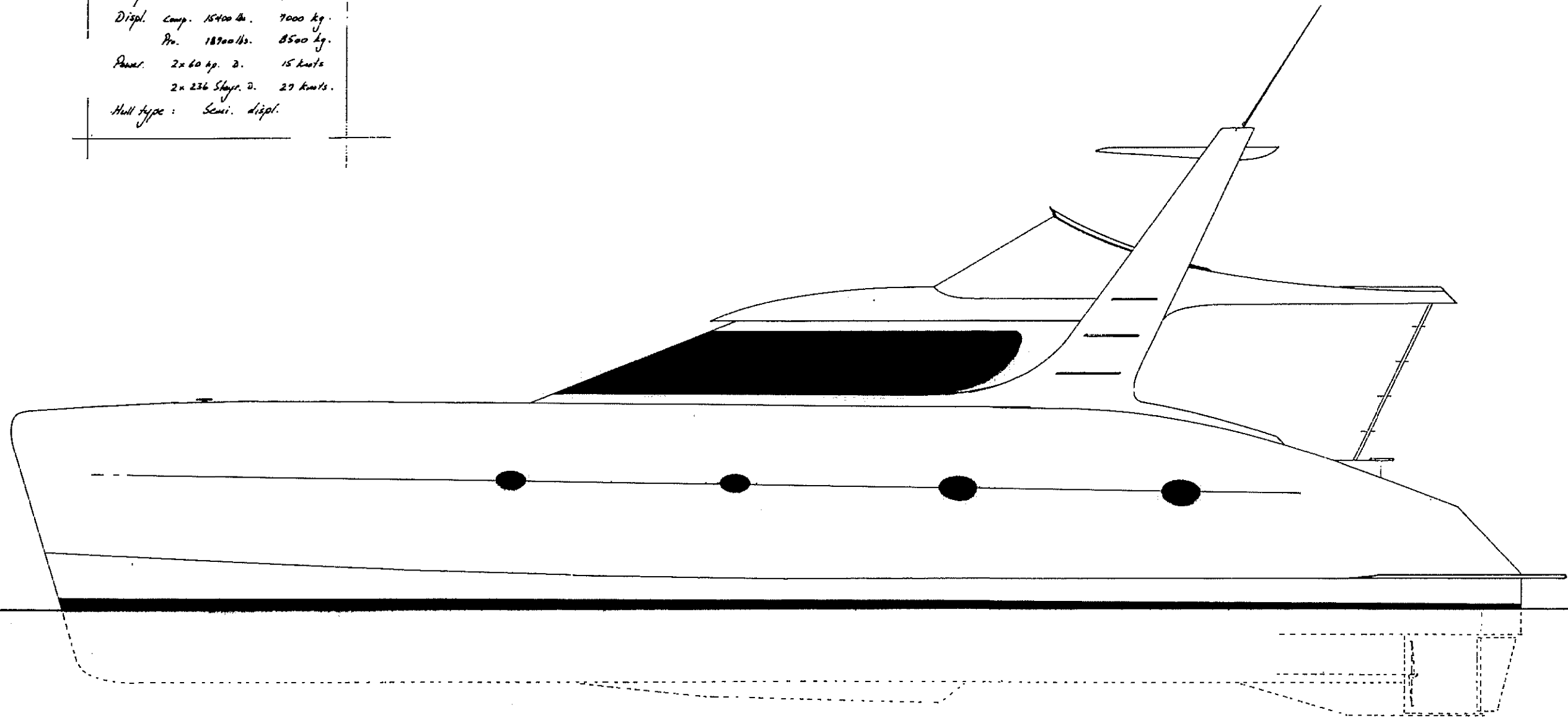
*Photographs courtesy of
Charter Cats Pty Ltd, South Africa*



Prowler 420 Power Cat

Scale 1:20

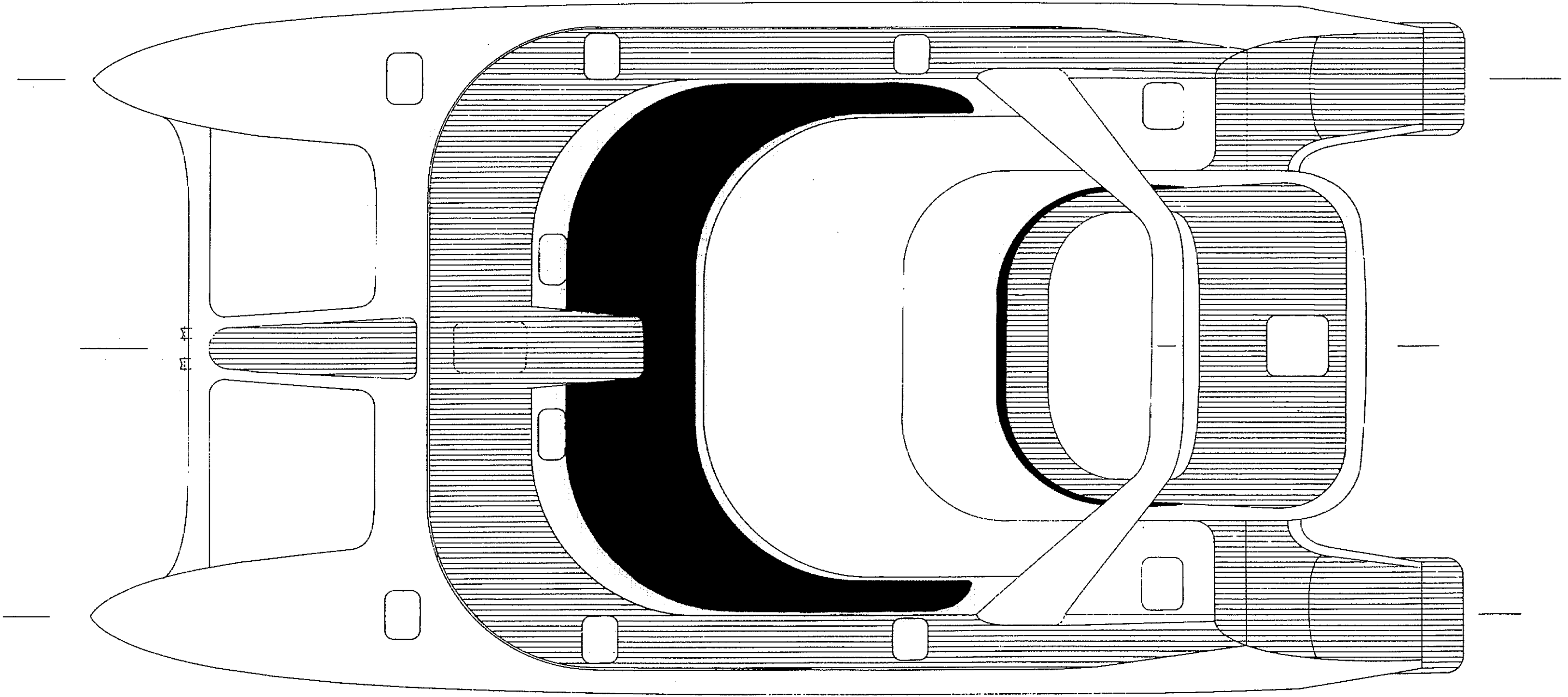
L.O.A.	42'	12,800 m
B.O.A.	22'	6,700
Draft.	3'	0,900
Displ. Comp.	15,400 lb.	7,000 kg.
	Pr. 18,700 lb.	8,500 kg.
Power.	2 x 60 hp. D.	15 knots
	2 x 236 Stage. D.	27 knots.
Hull type:	Semi. displ.	



Designed by: Geff Schionning Design Australia

Prowler 420 Power Cat

Scale 1:20

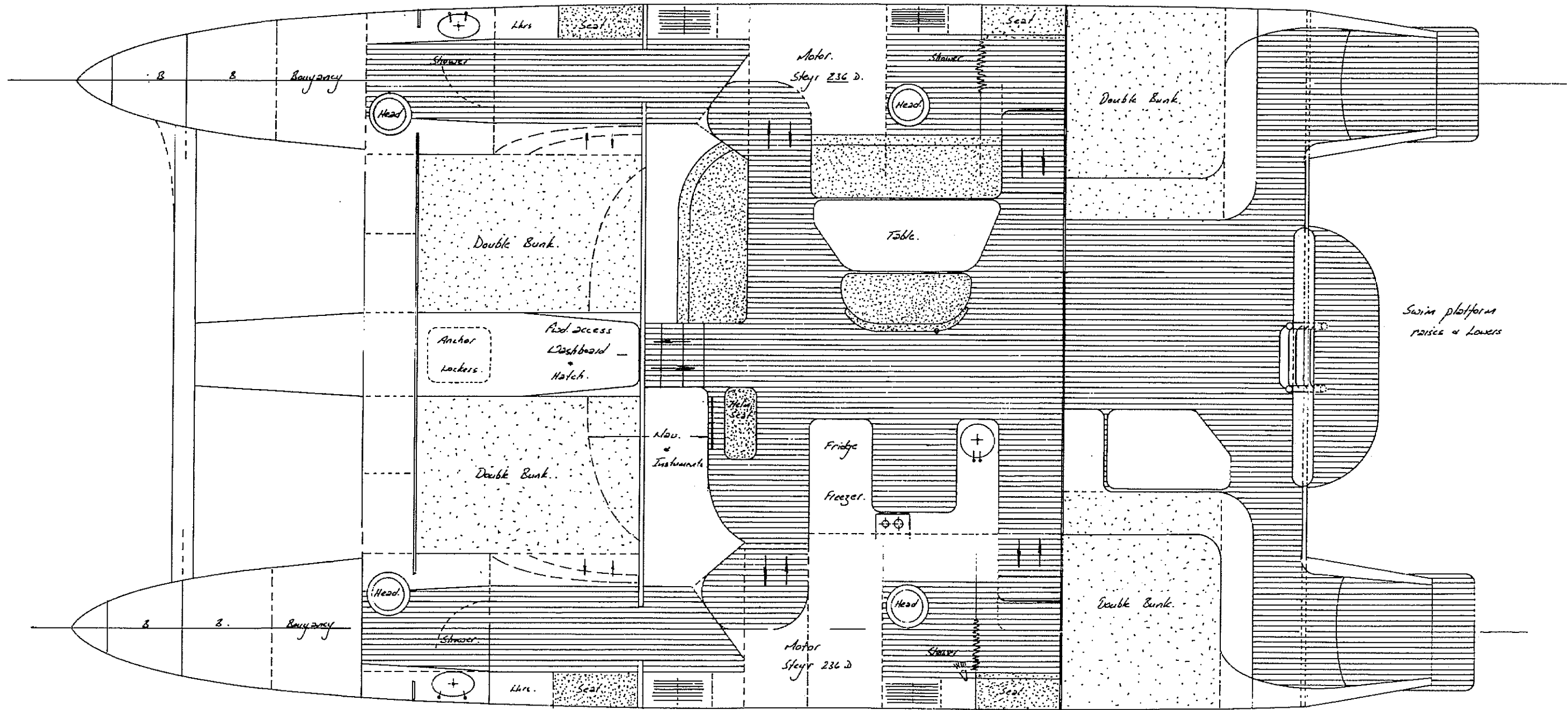


Designed by: Geff Schionning Designs

Australia.

©

Prowler 420 Lay-out option 1
Scale 1:20



Option 1. Suit. 60 - 250 H.P. Motors
 Speed. 2x60 H.P. = 0 - 18 knots.
 2x250 H.P. = 0 - 30 "
 Lay-out - suit charter.
 Hull type - semi-displacement.

Designed by: Geff Schroning Designs

Australia

Ⓢ

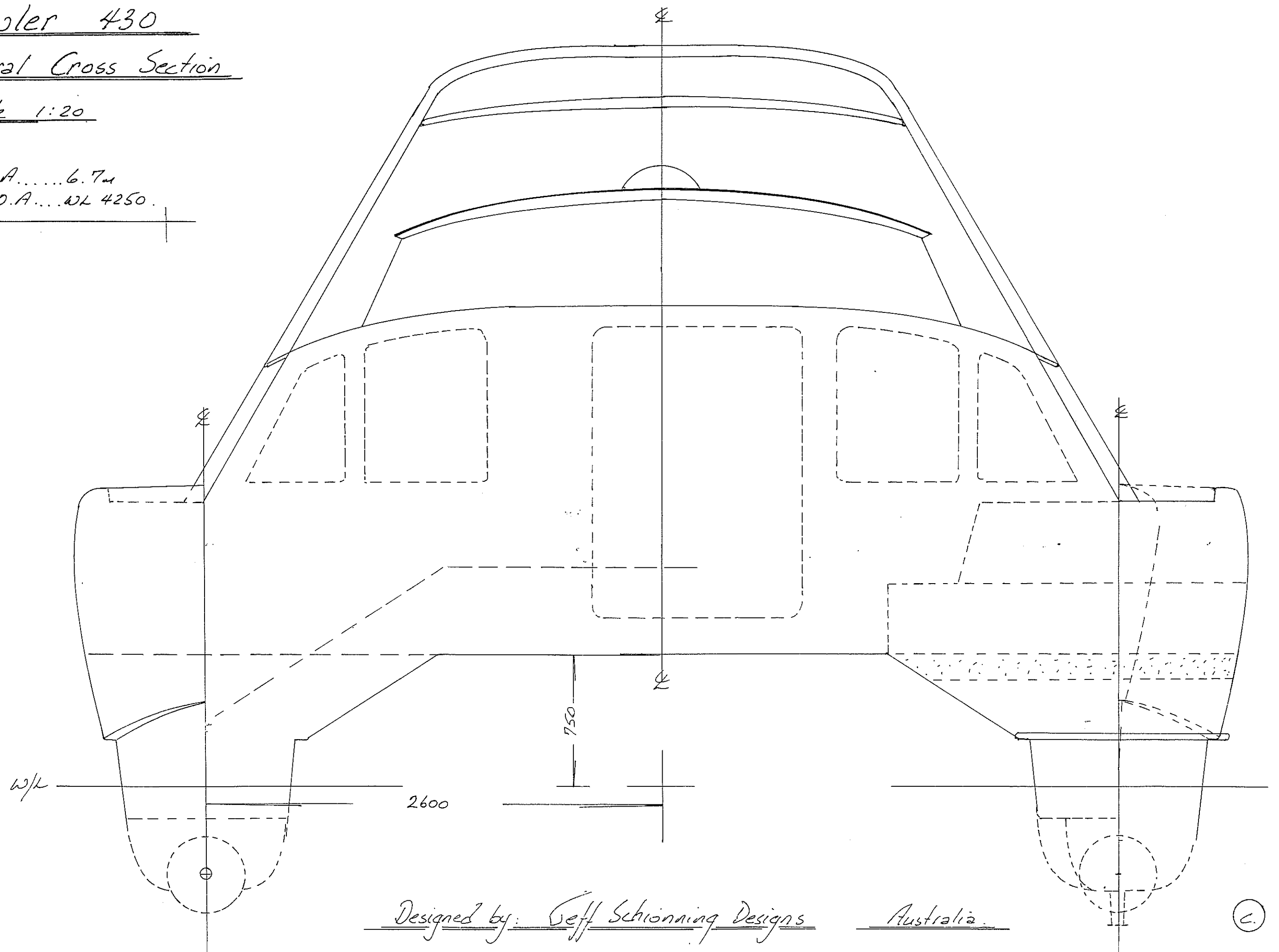
26.6.99

Prowler 430

General Cross Section

Scale 1:20

B.O.A.....6.7m
Ht. O.A.....WL 4250.



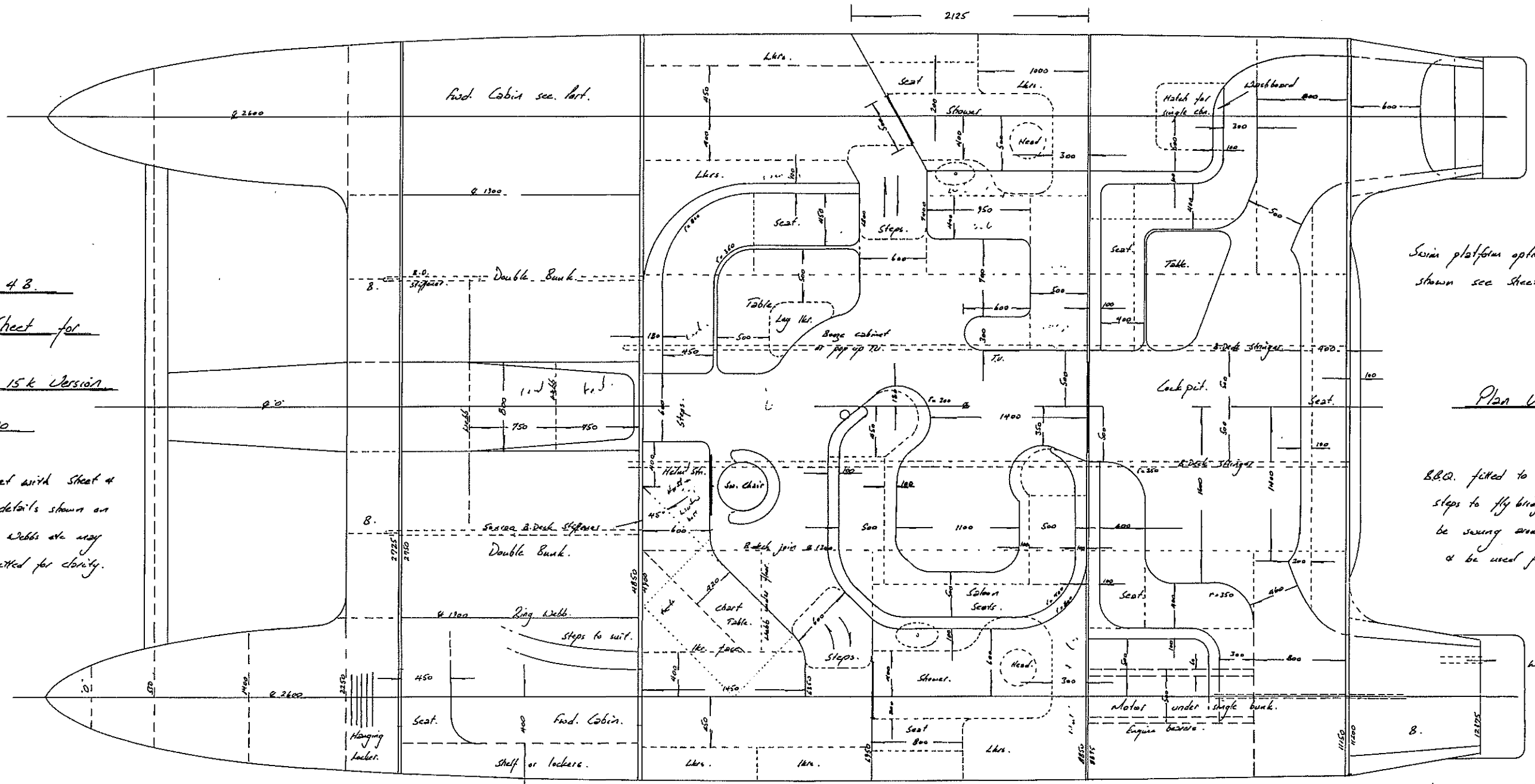
Designed by: Jeff Schionning Designs

Australia.

(C)

Sheet No. 4 B.
 Lay-out Sheet for
 Procter 420 15k Version
 Scale 1:20

Use this sheet with sheet 4
 as not all details shown on
 this sheet. Details etc may
 have been omitted for clarity.



Swivel platform option not
 shown see sheet 4.

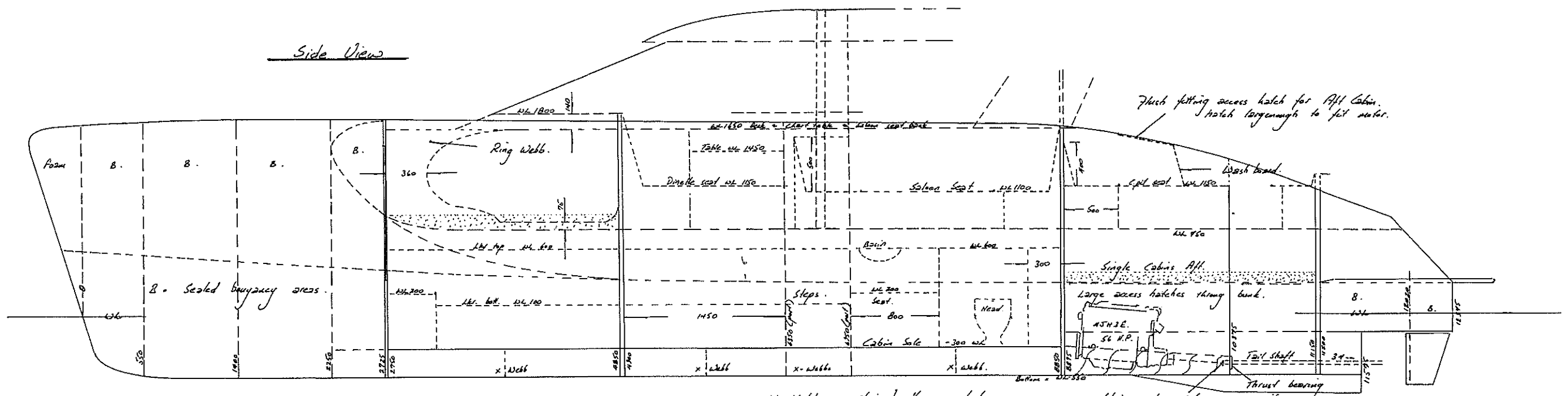
Plan View

B.B.O. fitted to aft side of
 steps to fly bridge & can
 be swung around to face
 & be used from the cockpit.

Net exhaust under
 extended step.

Keep as many of the aft
 compartments sealed as buoyancy.

Side View



Designed by: Jeff Schramming Designs

Australia ©

X-Webbs positioned 1/2 way between
 B.H.S.

Universal joint
 Thrust bearing
 needed.