



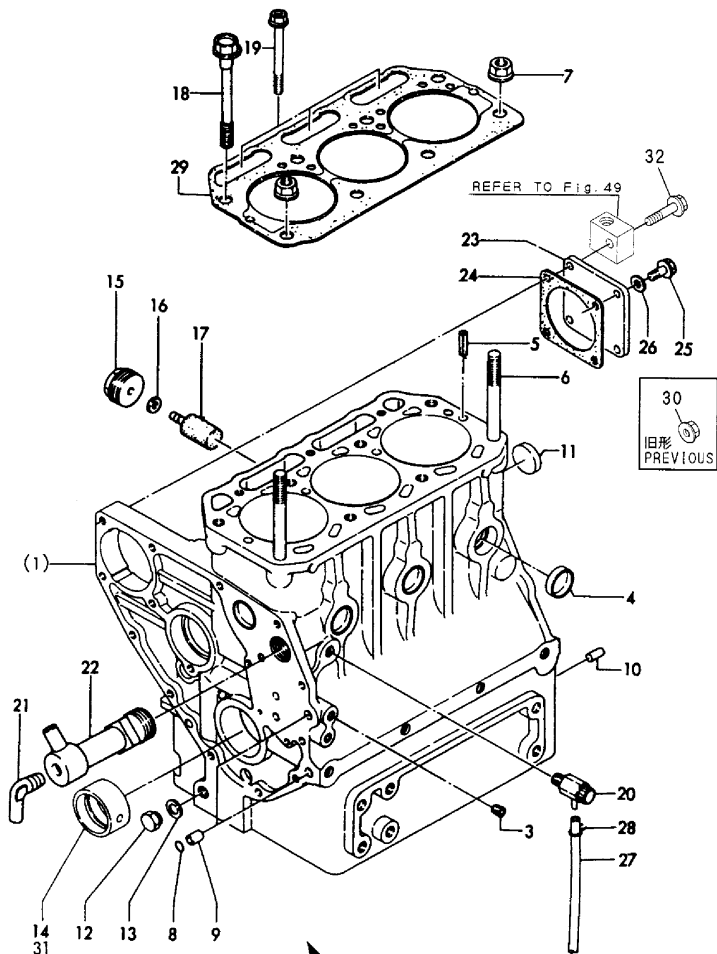
## Spare parts catalog- Yanmar engines

- (A) = 3GM30
- (B) = 3GM30VE
- (C) = 3GM30B
- (D) = 3GM30C
- (E) = 3GM30F
- (F) = 3GM30FVE

Fig.1.CYLINDER BLOCK

P/C NEWS No:Y00F5062-2  
PUBLISHED:2000/11

Fig. 1 シリンダブロック  
CYLINDER BLOCK



見出しNo.1は、見出しNo.(1)から17を含みます。  
1 inc.(1) ~ 17

(A)=3GM30 (D)=3GM30C  
(B)=3GM30VE (E)=3GM30F  
(C)=3GM30B (F)=3GM30FVE

REF.	LEV.	PARTS NO.	DESCRIPTION	QTY						I	R
				(A)	(B)	(C)	(D)	(E)	(F)		
1	1	728374-01560	BLOCK ASSY, CYLINDER	1	1	1	1				
3	2	124060-01050	PLUG PT1/8	7	7	7	7				
4	2	105311-01090	PLUG 30 (SUS)	5	5	5	5				
5	2	22351-060012	SPRING PIN 6X12	2		2	2				Z
		(A=E-XXX)	(C=E-XXX)				(D=E-XXX)				
6	2	121450-01210	STUD, CYL. HEAD	2	2	2	2				
7	2	121450-01220	NUT, CYL. HEAD	2	2	2	2				
8	2	24311-000100	O-RING 1A P-10.0	2	2	2	2				
9	2	124085-01900	GUIDE, O-RING	2	2	2	2				
10	2	22312-080160	PARALLEL PIN 8X 16	2	2	2	2				
I 10-1	2	129100-01580	PARALLEL PIN 8X16	2	2	2	2				R
		(A=*1997.07)	(B=*1997.07)				(C=*1997.07)				(D=*1997.07)
11	2	27243-300000	PLUG 30	1		1	1				
11-1	2	121450-01990	PLUG 30	1	1	1	1				N
		(A=E-XXX)	(C=E-XXX)				(D=E-XXX)				
12	2	121450-01960	PLUG PF1/4	1	1	1	1				
13	2	121450-01980	GASKET	1	1	1	1				
14	2	121450-02100	MAIN METAL	1	1	1	1				
15	2	128270-09300	PLUG NPTF 1"	2	2	2	2				
16	2	123210-09310	PACKING	2	2	2	2				
17	2	27210-200300	ZINC, ANTI-CORROSIVE	2	2	2	2				
18	1	121450-01203	BOLT, CYL. HEAD	6	6	6	6				
19	1	129350-01230	BOLT, CYL. HEAD	3	3	3	3				
20	1	128371-01800	COCK ASSY 1/4	1	1	1	1				
21	1	105583-49910	ELBOW (PT1/4)	1	1	1	1				
22	1	128270-01450	CONNECTOR, BY-PATH	1	1	1	1				
23	1	124240-01871	COVER, HO-P	1	1	1	1				
24	1	124240-01882	GASKET, HYD.OIL PUMP	1		1	1				
24-1	1	124240-01883	GASKET, (NON-ASB.)	1	1	1	1				N
		(A=E/#10103)	(C=E/#00309)				(D=E/#01060)				
25	1	26106-080142	BOLT M 8X 14 PLATED	2	2	2	2				
I 25-1	1	26106-080142	BOLT M 8X 14 PLATED	3	3	3	3				K
		(A=*1997.01)	(B=*1997.01)				(C=*1997.01)				(D=*1997.01)
26	1	23414-080000	GASKET 8, ROUND	1	1	1	1				
27	1	23061-070200	PIPE 7X 200	1	1	1	1				
I 27-1	1	23061-070300	PIPE 7X 300	1	1	1	1				R
		(A=*1997.08)	(B=*1997.08)				(C=*1997.08)				(D=*1997.08)
28	1	124460-77680	RETAINER	1	1	1	1				
29	1	128374-01330	GASKET, CYL. HEAD	1		1	1				
29-1	1	128374-01911	GASKET, CYL. HEAD	1	1	1	1				N
		(A=E/#04576)	(C=E/#00202)				(D=E/#00119)				
I 30	1	26366-080002	NUT M 8	2	2	2	2				Z
		(A=*1997.01)	(B=*1997.01)				(C=*1997.01)				(D=*1997.01)
31	1	121450-02310	MAIN METAL 0.25US	1	1	1	1				1
I 32	1	26106-080322	BOLT M 8X 32 PLATED	1	1	1	1				W
		(A=*1997.01)	(B=*1997.01)				(C=*1997.01)				(D=*1997.01)

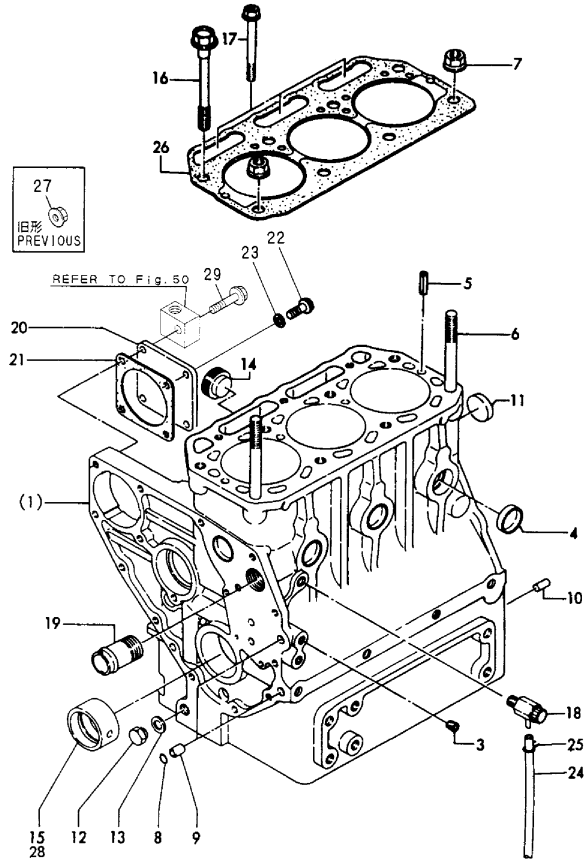
Remarks

(1)UNDER-SIZED(U.S.=0.25)PART.

Fig.2.CYLINDER BLOCK

P/C NEWS No.: Y00F5062-2  
PUBLISHED: 2000/11

Fig. 2 シリンダブロック (3GM30F/FVE)  
CYLINDER BLOCK (3GM30F/FVE)



見出しNo. 1は、見出しNo. (1) から15を含みます。  
1inc. (1) ~ 15

Remarks  
(1)CYLINDER BLOCK ASSY OF MODEL  
3GM30F IS SUPPLIED AS MODEL 3GM30.  
ALTHOUGH COMPONENT PARTS ARE  
PARTLYDIFFERET, BUT  
INTERCHANGEABLE.  
(2)UNDER-SIZED(U.S.=0.25)PART.

(A)=3GM30 (D)=3GM30C  
(B)=3GM30VE (E)=3GM30F  
(C)=3GM30B (F)=3GM30FVE

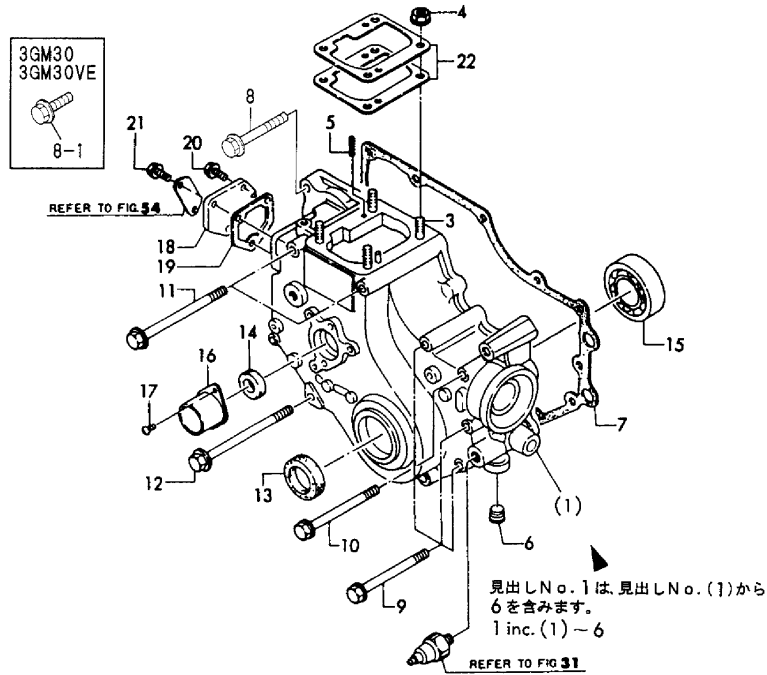
REF.	LEV.	PARTS NO.	DESCRIPTION	QTY						I	R
				(A)	(B)	(C)	(D)	(E)	(F)		
1	1	728397-01560	BLOCK ASSY, CYLINDER					1	1		1
3	2	124060-01050	PLUG PT1/8					7	7		
4	2	105311-01090	PLUG 30 (SUS)					5	5		
5	2	22351-060012	SPRING PIN 6X12					2			Z
								(E=EXXX)			
6	2	121450-01210	STUD, CYL. HEAD					2	2		
7	2	121450-01220	NUT, CYL. HEAD					2	2		
8	2	24311-000100	O-RING 1A P-10.0					2	2		
9	2	124085-01900	GUIDE, O-RING					2	2		
10	2	22312-080160	PARALLEL PIN 8X 16					2	2		
I	10-1	2	129100-01580	PARALLEL PIN 8X16				2	2		R
								(E=*1997.07)			(F=*1997.07)
11	2	27243-300000	PLUG 30					1			
11-1	2	121450-01990	PLUG 30					1	1		N
								(E=EXXX)			
12	2	121450-01960	PLUG PF1/4					1	1		
13	2	121450-01980	GASKET					1	1		
14	2	171051-01921	PLUG					2	2		
15	2	121450-02100	MAIN METAL					1	1		
16	1	121450-01203	BOLT, CYL. HEAD					6	6		
17	1	129350-01230	BOLT, CYL. HEAD					3	3		
18	1	128371-01800	COCK ASSY 1/4					1	1		
19	1	124160-49480	JOINT, PIPE					1	1		
20	1	124240-01871	COVER, HO-P					1	1		
21	1	124240-01882	GASKET, HYD.OIL PUMP					1			
21-1	1	124240-01883	GASKET, (NON-ASB.)					1	1		R
								(E=E/#10104)			
22	1	26106-080142	BOLT M 8X 14 PLATED					2	2		
I	22-1	1	26106-080142	BOLT M 8X 14 PLATED				3	3		K
								(E=*1997.01)			(F=*1997.01)
23	1	23414-080000	GASKET 8, ROUND					1	1		
24	1	23061-070200	PIPE 7X 200					1	1		
25	1	124460-77680	RETAINER					1	1		
26	1	128374-01330	GASKET, CYL. HEAD					1			
26-1	1	128374-01911	GASKET, CYL. HEAD					1	1		N
								(E=E/#04594)			
I	27	1	26366-080002	NUT M 8				2	2		Z
								(E=*1997.01)			(F=*1997.01)
28	1	121450-02310	MAIN METAL 0.25US					1	1		2
I	29	1	26106-080322	BOLT M 8X 32 PLATED				1	1		W
								(E=*1997.01)			(F=*1997.01)

Fig.3.GEAR HOUSING

(A)=3GM30 (D)=3GM30C  
 (B)=3GM30VE (E)=3GM30F  
 (C)=3GM30B (F)=3GM30FVE

P/C NEWS No:Y00F5062-2  
 PUBLISHED:2000/11

Fig.3 ギヤケース  
 GEAR HOUSING



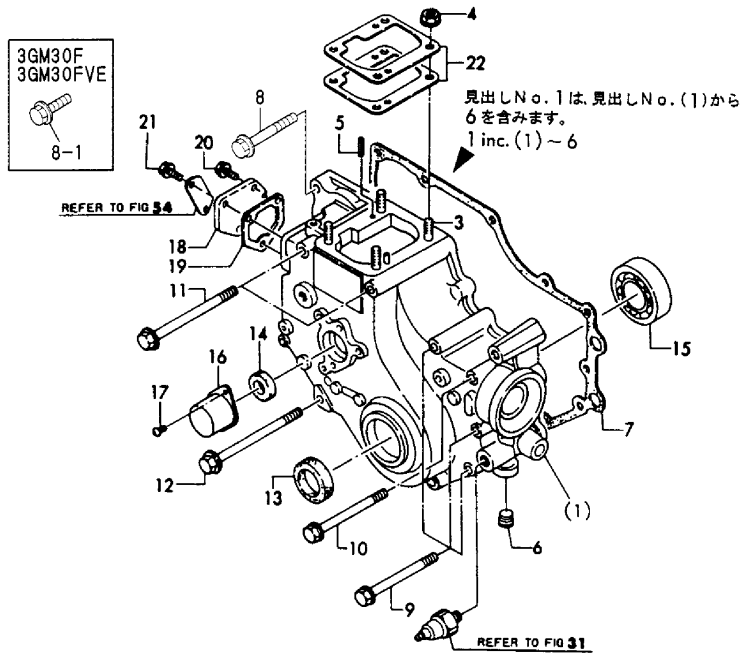
REF.	LEV.	PARTS NO.	DESCRIPTION	QTY						I	R	
				(A)	(B)	(C)	(D)	(E)	(F)			
1	1	728370-01610	HOUSING ASSY, GEARS	1	1		1					
3	2	121450-01560	STUD M 8X 22	4	4		4					
4	2	26366-080002	NUT M 8	4	4		4					
5	2	22351-040010	SPRING PIN 4X10	2	2		2					
6	2	124060-01050	PLUG PT1/8	1	1		1					
7	1	121575-01510	GASKET, GEAR HOUSING	1			1					
7-1	1	121575-01511	GASKET, (NON-ASB.)	1	1		1				N	
		(A=E/#11532)					(D=E/#01203)					
8	1	26106-080602	BOLT M 8X 60 PLATED	2	2		2					
I	8-1	26106-080302	BOLT M 8X 30 PLATED	2	2						S	
		(A=*1997.01) (B=*1997.01)										
9	1	26106-080852	BOLT M 8X 85 PLATED	5	5		5					
10	1	26106-080902	BOLT M 8X 90 PLATED	1	1		1					
11	1	26106-081152	BOLT M 8X115 PLATED	2	2		2					
12	1	26106-081152	BOLT M 8X115 PLATED	2	2		2					
13	1	121450-01800	SEAL, OIL	1			1					
13-1	1	121450-01801	SEAL TC25 40 8, OIL	1	1		1				N	
		(A=E/#11483)					(D=E/#01177)					
14	1	128270-01820	SEAL SC16 28 6, OIL	1	1		1					
15	1	24101-063050	BALL BEARING	1	1		1					
16	1	128170-01830	BRACKET (B), REAR	1	1		1					
17	1	26557-060102	SCREW 6X10	2	2		2					
18	1	121000-01850	COVER, CYL BLOCK	1	1		1					
19	1	121575-01860	GASKET, COVER	1			1					
19-1	1	121575-01861	GASKET, (NON-ASB.)	1	1		1				N	
		(A=E/#11532)					(D=E/#01203)					
20	1	26106-060122	BOLT M 6X 12 PLATED	1	1		1					
21	1	26106-060142	BOLT M 6X 14 PLATED	2	2		2					
22	1	121450-01951	SHIM SET	1	1		1					

Fig.4.GEAR HOUSING

(A)=3GM30 (D)=3GM30C  
 (B)=3GM30VE (E)=3GM30F  
 (C)=3GM30B (F)=3GM30FVE

P/C NEWS No:Y00F5062-2  
 PUBLISHED:2000/11

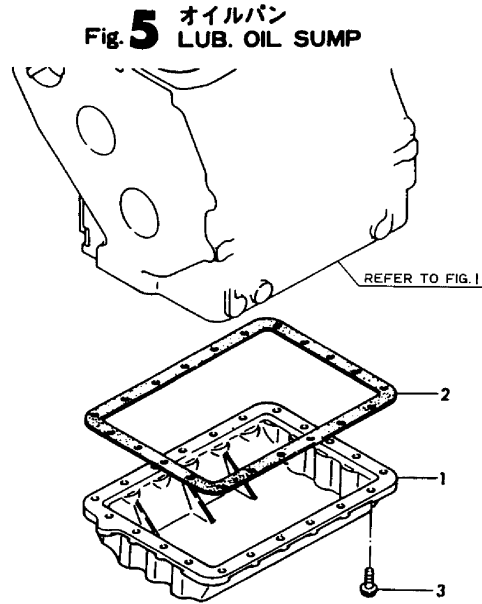
Fig.4 ギヤケース  
 GEAR HOUSING



REF.	LEV.	PARTS NO.	DESCRIPTION	QTY						I	R	
				(A)	(B)	(C)	(D)	(E)	(F)			
1	1	728370-01610	HOUSING ASSY, GEARS				1		1	1		
3	2	121450-01560	STUD M 8X 22				4		4	4		
4	2	26366-080002	NUT M 8				4		4	4		
5	2	22351-040010	SPRING PIN 4X10				2		2	2		
6	2	124060-01050	PLUG PT1/8				1		1	1		
7	1	121575-01510	GASKET, GEAR HOUSING				1		1			
7-1	1	121575-01511	GASKET, (NON-ASB.) (C=E/#00343)				1		1	1	N	
8	1	26106-080602	BOLT M 8X 60 PLATED				2		2	2		
I	8-1	26106-080302	BOLT M 8X 30 PLATED						2	2	S	
9	1	26106-080852	BOLT M 8X 85 PLATED				5		5	5		
10	1	26106-080902	BOLT M 8X 90 PLATED				1		1	1		
11	1	26106-081152	BOLT M 8X115 PLATED				2		2	2		
12	1	26106-081152	BOLT M 8X115 PLATED				2		2	2		
13	1	121450-01800	SEAL, OIL				1		1			
13-1	1	121450-01801	SEAL TC25 40 8, OIL (C=E/#00343)				1		1	1	N	
14	1	128270-01820	SEAL SC16 28 6, OIL				1		1	1		
15	1	24101-063050	BALL BEARING				1		1	1		
16	1	128670-01830	COVER, BLIND				1		1	1		
17	1	26557-060102	SCREW 6X10				2		2	2		
18	1	121000-01850	COVER, CYL BLOCK				1		1	1		
19	1	121575-01860	GASKET, COVER				1		1			
19-1	1	121575-01861	GASKET, (NON-ASB.) (C=E/#00343)				1		1	1	N	
20	1	26106-060122	BOLT M 6X 12 PLATED				1		1	1		
21	1	26106-060142	BOLT M 6X 14 PLATED				2		2	2		
22	1	121450-01951	SHIM SET				1		1	1		

(A)=3GM30 (D)=3GM30C  
 (B)=3GM30VE (E)=3GM30F  
 (C)=3GM30B (F)=3GM30FVE

Fig.5.LUB. OIL SUMP



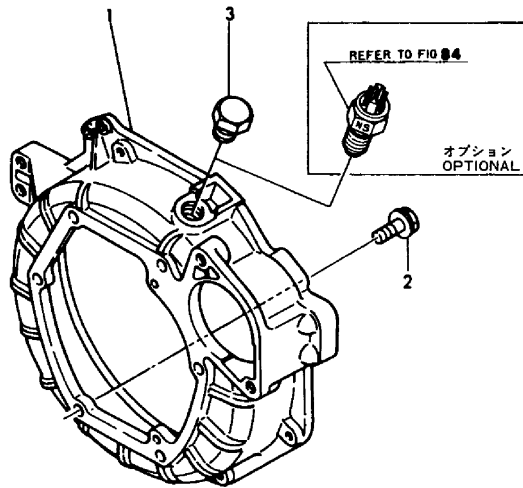
REF.	LEV.	PARTS NO.	DESCRIPTION	Q'TY						I	R
				(A)	(B)	(C)	(D)	(E)	(F)		
1	1	128370-01720	PAN, LUB OIL	1	1	1	1	1	1		
I 2-1	1	121450-01751	GASKET, OIL SUMP	1	1	1	1	1	1		1
3	1	26014-060202	BOLT M 6X 20	21	21	21	21	21	21		

Remarks  
 1)CORRECTION OF PART NUMBER.  
 (PREVIOUS P/NO. IS 121000-01751)

(A)=3GM30 (D)=3GM30C  
 (B)=3GM30VE (E)=3GM30F  
 (C)=3GM30B (F)=3GM30FVE

Fig.6.FLYWHEEL HOUSING

Fig. 6 フライホイールハウジング  
 FLYWHEEL HOUSING

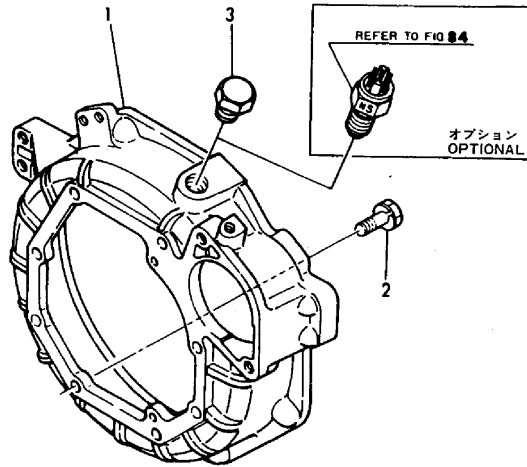


REF.	LEV.	PARTS NO.	DESCRIPTION	QTY						I	R
				(A)	(B)	(C)	(D)	(E)	(F)		
1	1	128170-01600	FLANGE, MOUNTING	1	1	1		1	1		
2	1	26106-100252	BOLT M10X 25 PLATED	6	6	6		6	6		
3	1	23887-180002	PLUG 18	1	1	1			1	1	

(A)=3GM30 (D)=3GM30C  
 (B)=3GM30VE (E)=3GM30F  
 (C)=3GM30B (F)=3GM30FVE

Fig.7.FLYWHEEL HOUSING

Fig. 7 フライホイールハウジング  
 FLYWHEEL HOUSING



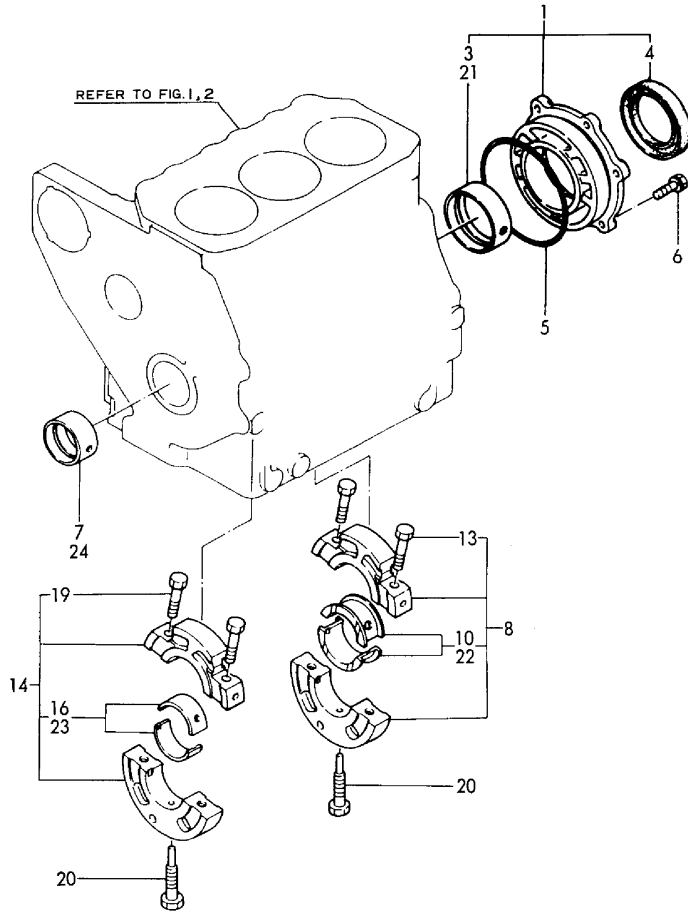
REF.	LEV.	PARTS NO.	DESCRIPTION	Q'TY						I	R	
				(A)	(B)	(C)	(D)	(E)	(F)			
1	1	128371-01601	HOUSING, FLYWHEEL				1					
2	1	26013-100252	BOLT W/WASHER M10X25				8					
3	1	23887-180002	PLUG 18				1					



(A)=3GM30 (D)=3GM30C  
 (B)=3GM30VE (E)=3GM30F  
 (C)=3GM30B (F)=3GM30FVE

Fig.8.MAIN BEARING HOUSING

Fig.8 メインメタル  
 MAIN BEARING HOUSING



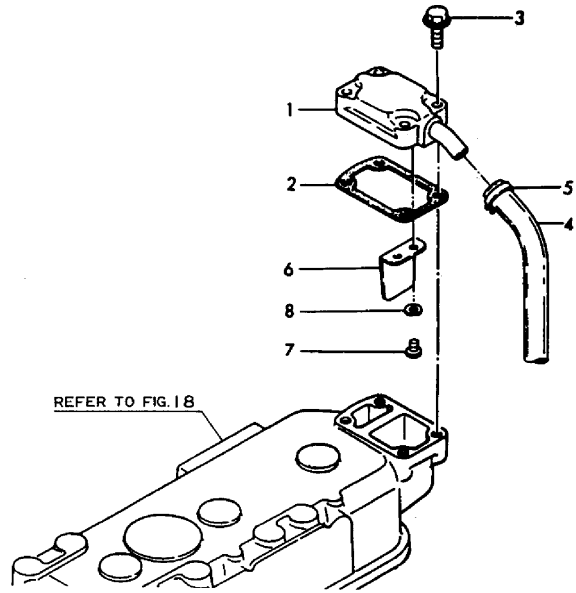
REF.	LEV.	PARTS NO.	DESCRIPTION	QTY						I	R
				(A)	(B)	(C)	(D)	(E)	(F)		
1	1	721450-02500	HOUSING ASSY METAL	1	1	1	1	1	1		
3	2	121450-02110	MAIN METAL	1	1	1	1	1	1		
4	2	124085-02220	SEAL, OIL	1	1	1	1	1	1		
5	1	105225-02020	O-RING	1	1	1	1	1	1		
6	1	26013-080202	BOLT W/WASHER M8X20	6	6	6	6	6	6		
7	1	121450-02100	MAIN METAL	1	1	1	1	1	1		
8	1	721450-02611	HOUSING ASSY	1	1	1	1	1	1		
10	2	121450-02160	MAIN METAL(1)	1	1	1	1	1	1		
13	2	121450-02071	BOLT	2	2	2	2	2	2		
14	1	721450-02621	HOUSING ASSY	1	1	1	1	1	1		
16	2	121450-02170	MAIN METAL(2)	1	1	1	1	1	1		
19	2	121450-02071	BOLT	2	2	2	2	2	2		
20	1	105225-02300	BOLT	2	2	2	2	2	2		
21	1	121450-02320	MAIN METAL 0.25US	1	1	1	1	1	1		1
22	1	121450-02370	MAIN METAL 0.25US	1	1	1	1	1	1		1
23	1	121450-02380	MAIN METAL 0.25US	1	1	1	1	1	1		1
24	1	121450-02310	MAIN METAL 0.25US	1	1	1	1	1	1		1

Remarks  
 1)UMDER-SIZED PART.(0.25)

(A)=3GM30 (D)=3GM30C  
 (B)=3GM30VE (E)=3GM30F  
 (C)=3GM30B (F)=3GM30FVE

Fig.9.BREATHER

Fig. 9 ブリーザ BREATHER

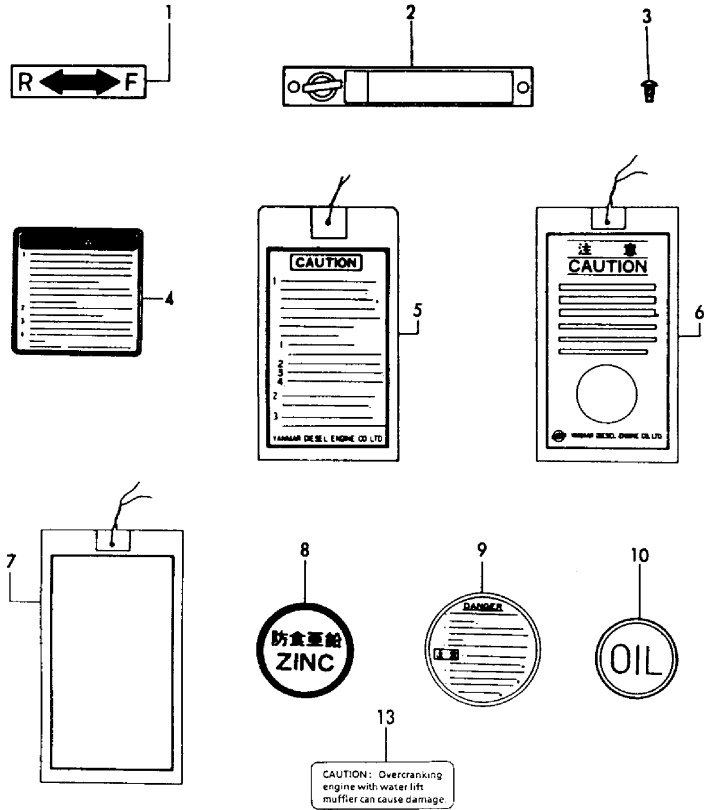


REF.	LEV.	PARTS NO.	DESCRIPTION	Q'TY						I	R		
				(A)	(B)	(C)	(D)	(E)	(F)				
I	1	1	121000-03020										
I	2	1	121000-03070										
	3	1	26106-060252				4	4	4	4	4	4	
	4	1	121000-03200				1	1	1	1	1	1	
I	5	1	23080-013000										
I	6	1	121000-03080										
I	7	1	26557-050102										
I	8	1	22217-050000										

(A)=3GM30 (D)=3GM30C  
 (B)=3GM30VE (E)=3GM30F  
 (C)=3GM30B (F)=3GM30FVE

Fig.10.LABEL

Fig. 10 铭板 LABEL

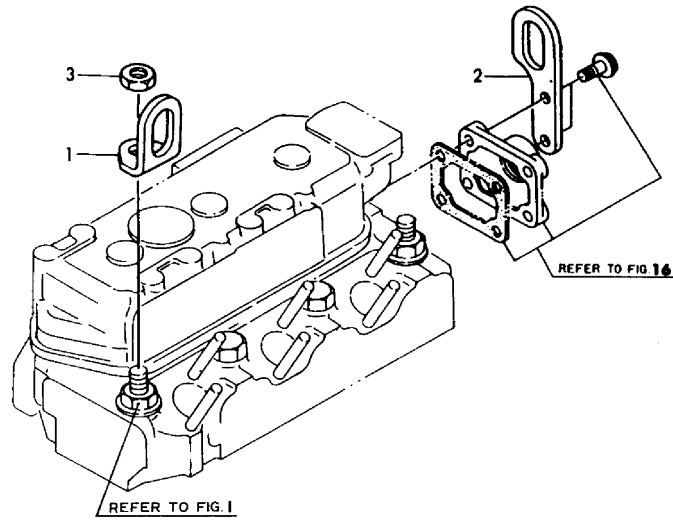


REF.	LEV.	PARTS NO.	DESCRIPTION	QTY						I	R
				(A)	(B)	(C)	(D)	(E)	(F)		
1	1	177088-02430	LABEL	1		1		1			
2	1	105582-07061	LABEL			1					
3	1	102210-07990	RIVET			2					
4	1	127611-07350	LABEL						1		
4-1	1	129198-07350	LABEL						1	1	N
				(E=E08792)							
5	1	126630-07370	LABEL						1	1	
6	1	123682-07850	LABEL						1	1	
7	1	128170-07850	LABEL, CAUTION	1	1		1				
8	1	124220-09340	LABEL	3	3	3	3				
I 9	1	120445-44620	PLATE								
10	1	42222-003550	LABEL	1					1		Z
(A=E14382)				(E=E14395)							
I 13	1	128171-07150	LABEL	1	1		1	1	1	1	W
(A=E14382)				(E=E14395)							

Fig.11.ENGINE LIFTER

(A)=3GM30 (D)=3GM30C  
 (B)=3GM30VE (E)=3GM30F  
 (C)=3GM30B (F)=3GM30FVE

Fig. 11 吊り上げ金具  
 ENGINE LIFTER

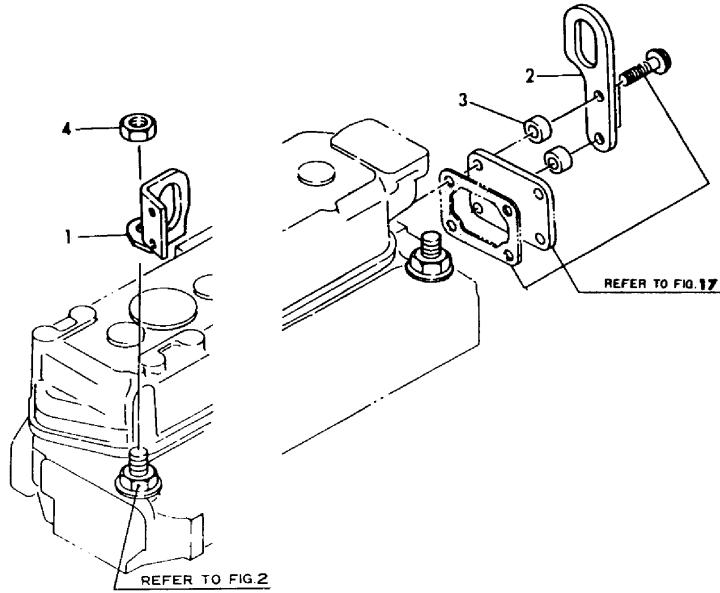


REF.	LEV.	PARTS NO.	DESCRIPTION	Q'TY						I	R		
				(A)	(B)	(C)	(D)	(E)	(F)				
I	1	1	121575-07230	LIFTER, ENGINE									
	2	1	121575-07240	LIFTER, ENGINE						1	1	1	1
	3	1	26776-120002	LOCK NUT M12 PLATED						1	1	1	1

Fig.12.ENGINE LIFTER

(A)=3GM30 (D)=3GM30C  
 (B)=3GM30VE (E)=3GM30F  
 (C)=3GM30B (F)=3GM30FVE

Fig. 12 吊り上げ金具  
 ENGINE LIFTER

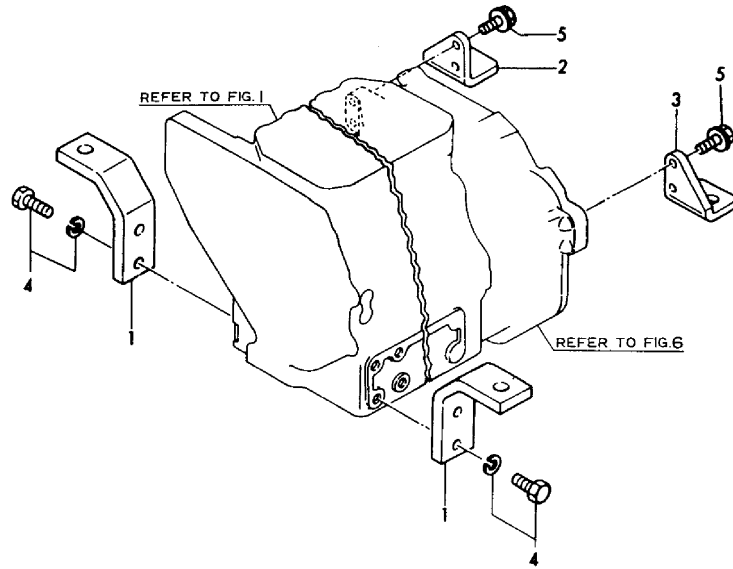


REF.	LEV.	PARTS NO.	DESCRIPTION	Q'TY						I	R
				(A)	(B)	(C)	(D)	(E)	(F)		
1	1	128695-07230	LIFTER, ENGINE							1	1
2	1	121575-07240	LIFTER, ENGINE							1	1
3	1	123372-03150	SPACER							2	2
4	1	26776-120002	LOCK NUT M12 PLATED							1	1

Fig.13.ENGINE BRACKET

(A)=3GM30 (D)=3GM30C  
 (B)=3GM30VE (E)=3GM30F  
 (C)=3GM30B (F)=3GM30FVE

Fig. 13 マウンティングフット  
 ENGINE BRACKET

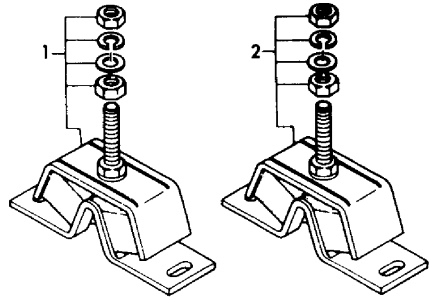


REF.	LEV.	PARTS NO.	DESCRIPTION	QTY						I	R
				(A)	(B)	(C)	(D)	(E)	(F)		
1	1	128170-08100	BRACKET (A), ENGINE	2	2	2	2	2	2		
2	1	128170-08120	BRACKET (A), REAR	1	1	1	1	1	1		
3	1	128170-08130	BRACKET(B), REAR	1	1	1	1	1	1		
4	1	26013-120302	BOLT W/WASHER M12X30	4	4	4	4	4	4		
5	1	26106-100252	BOLT M10X 25 PLATED	4	4	4	4	4	4		

(A)=3GM30 (D)=3GM30C  
 (B)=3GM30VE (E)=3GM30F  
 (C)=3GM30B (F)=3GM30FVE

Fig.14.FLEXIBLE MOUNT

Fig. 14 フレキシブルマウント  
 FLEXIBLE MOUNT

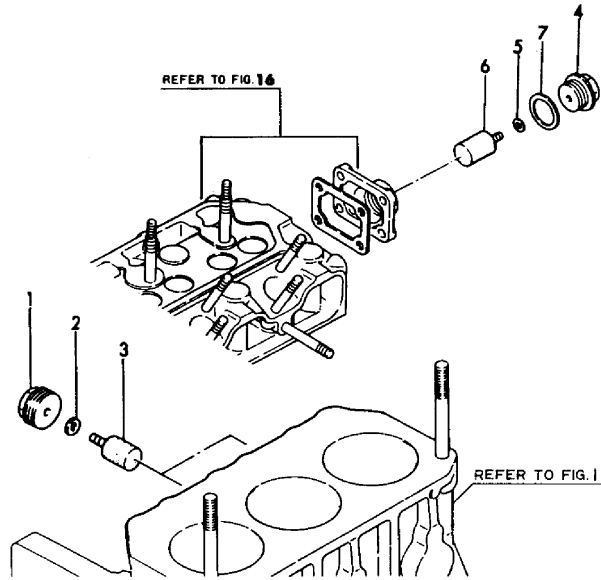


REF.	LEV.	PARTS NO.	DESCRIPTION	QTY						I	R
				(A)	(B)	(C)	(D)	(E)	(F)		
1	1	124772-08341	MOUNTING, FLEXIBLE	2	4	2	2	2	4		
2	1	128270-08341	MOUNTING, FLEXIBLE	2		2		2			

(A)=3GM30 (D)=3GM30C  
 (B)=3GM30VE (E)=3GM30F  
 (C)=3GM30B (F)=3GM30FVE

Fig.15.ANTI-CORROSIVE ZINC

Fig. 15 防食亜鉛  
 ANTI-CORROSIVE ZINC



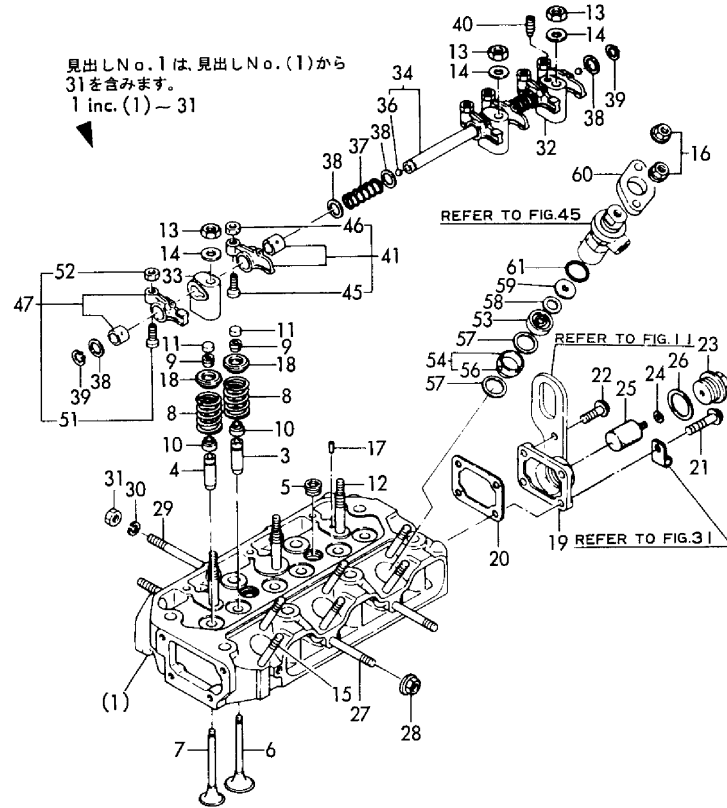
REF.	LEV.	PARTS NO.	DESCRIPTION	QTY						I	R
				(A)	(B)	(C)	(D)	(E)	(F)		
1	2	128270-09300	PLUG NPTF 1"	2	2	2	2				
2	2	123210-09310	PACKING	2	2	2	2				
3	2	27210-200300	ZINC, ANTI-CORROSIVE	2	2	2	2				
4	2	122780-09320	PLUG	1	1	1	1				
5	2	123210-09310	PACKING	1	1	1	1				
6	2	27210-200300	ZINC, ANTI-CORROSIVE	1	1	1	1				
7	2	23414-250000	GASKET 25,ROUND	1	1	1	1				



Fig.16.CYLINDER HEAD

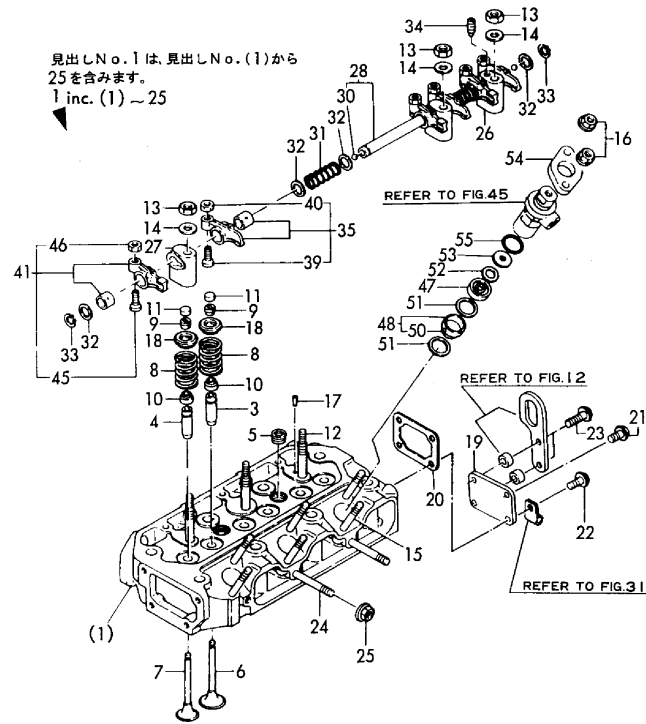
(A)=3GM30 (D)=3GM30C  
 (B)=3GM30VE (E)=3GM30F  
 (C)=3GM30B (F)=3GM30FVE

Fig. 16 シリンダヘッド  
 CYLINDER HEAD



REF.	LEV.	PARTS NO.	DESCRIPTION	QTY						I	R
				(A)	(B)	(C)	(D)	(E)	(F)		
1	1	728372-11700	HEAD ASSY, CYLINDER	1	1	1	1				
3	3	124060-11160	GUIDE, VALVE	3	3	3	3				
4	3	128272-11170	GUIDE, VALVE	3	3	3	3				
5	3	23871-030000	PLUG PT3/8,SCREW	2	2	2	2				
6	2	105225-11100	VALVE, SUCTION	3	3	3	3				
7	2	105225-11110	VALVE, EXHAUST	3	3	3	3				
8	2	121575-11121	SPRING, VALVE	6	6	6	6				
9	2	101158-11190	COTTER	12	12	12	12				
10	2	124950-11340	SEAL, VALVE STEM	6	6	6	6				
11	2	104211-11370	CAP, VALVE	6	6	6	6				
12	2	105225-11350	STUD, SUPPORT	3	3	3	3				
13	2	26696-100002	NUT M10	3	3	3	3				
14	2	22137-100000	WASHER 10,POLISHED	3	3	3	3				
15	2	26216-080652	STUD M 8X 65 PLATED	6	6	6	6				
16	2	26366-080002	NUT M 8	6	6	6	6				
17	2	121000-11050	PIN 4.5X10	1	1	1	1				
18	2	104200-11180	RETAINER, SPRING	6	6	6	6				
19	2	121575-11670	COVER	1	1	1	1				
20	2	121450-11680	GASKET, COVER	1	1	1	1				
I	20-1	121450-11681	GASKET, (NON-ASB.)	1	1	1	1				N
		(A=E11532)	(C=E00343)				(D=E01203)				
21	2	26106-080302	BOLT M 8X 30 PLATED	2	2	2	2				
22	2	26106-080302	BOLT M 8X 30 PLATED	2	2	2	2				
23	2	122780-09320	PLUG	1	1	1	1				
24	2	123210-09310	PACKING	1	1	1	1				
25	2	27210-200300	ZINC, ANTI-CORROSIVE	1	1	1	1				
26	2	23414-250000	GASKET 25,ROUND	1	1	1	1				
27	2	26217-080552	STUD M 8X 55 PLATED	2	2	2	2				
28	2	26366-080002	NUT M 8	2	2	2	2				
29	2	128670-13350	STUD M 8X80	2	2	2	2				
30	2	22217-080000	SPRING WASHER 8	6	6	6	6				
31	2	26703-080002	NUT M 8	2	2	2	2				
32	1	121450-11260	SUPPORT, ROCKER ARM	1	1	1	1				
33	1	121450-11270	SUPPORT, ROCKER ARM	2	2	2	2				
34	1	121450-11240	SHAFT, ROCKER ARM	1	1	1	1				
36	2	24190-110001	BALL 11/32, STEEL	2	2	2	2				
37	1	121550-11280	SPRING	2	2	2	2				
38	1	121550-11290	WASHER	6	6	6	6				
39	1	22242-000140	CIRCLIP 14	2	2	2	2				
40	1	26921-080102	SET SCREW M 8X 10	1	1	1	1				
41	1	721450-11650	ARM ASSY, ROCKER	3	3	3	3				
45	2	101158-11230	SCREW, VALVE	3	3	3	3				
46	2	26756-080002	LOCK NUT M 8 PLATED	3	3	3	3				
47	1	721450-11660	ARM ASSY, ROCKER	3	3	3	3				
51	2	101158-11230	SCREW, VALVE	3	3	3	3				
52	2	26756-080002	LOCK NUT M 8 PLATED	3	3	3	3				
53	1	128275-11410	CHAMBER, REAR	3	3	3	3				
54	1	105311-11420	CHAMBER, FRONT	3	3	3	3				
56	2	103338-11430	PIN	3	3	3	3				
57	1	124950-11450	GASKET, CHAMBER	6	6	6	6				
58	1	128275-11490	INSULATOR	3	3	3	3				
59	1	128275-11500	COVER	3	3	3	3				
60	1	101147-11900	FLANGE	3	3	3	3				
61	1	24341-000260	O-RING 1A S-26.0	3	3	3	3				

## Fig.17.CYLINDER HEAD

Fig. 17 シリンダヘッド  
CYLINDER HEAD

見出しNo. 1 は、見出しNo. (1) から  
25を含みます。  
1 inc. (1) ~ 25

(A)=3GM30 (D)=3GM30C  
(B)=3GM30VE (E)=3GM30F  
(C)=3GM30B (F)=3GM30FVE

REF.	LEV.	PARTS NO.	DESCRIPTION	QTY						I	R	
				(A)	(B)	(C)	(D)	(E)	(F)			
1	1	728372-11700	HEAD ASSY, CYLINDER							1	1	1
3	3	124060-11160	GUIDE, VALVE							3	3	
4	3	128272-11170	GUIDE, VALVE							3	3	
5	3	23871-030000	PLUG PT3/8, SCREW							2	2	
6	2	105225-11100	VALVE, SUCTION							3	3	
7	2	105225-11110	VALVE, EXHAUST							3	3	
8	2	121575-11121	SPRING, VALVE							6	6	
9	2	101158-11190	COTTER							12	12	
10	2	124950-11340	SEAL, VALVE STEM							6	6	
11	2	104211-11370	CAP, VALVE							6	6	
12	2	105225-11350	STUD, SUPPORT							3	3	
13	2	26696-100002	NUT M10							3	3	
14	2	22137-100000	WASHER 10, POLISHED							3	3	
15	2	26216-080652	STUD M 8X 65 PLATED							6	6	
16	2	26366-080002	NUT M 8							6	6	
17	2	121000-11050	PIN 4.5X10							1	1	
18	2	104200-11180	RETAINER, SPRING							6	6	
19	2	121450-11670	COVER							1	1	
20	2	121450-11680	GASKET, COVER							1		
I	20-1	2	121450-11681	GASKET, (NON-ASB.)						1	1	N
				(E=E11515)								
21	2	26106-080122	BOLT M 8X 12 PLATED							1	1	
22	2	26106-080142	BOLT M 8X 14 PLATED							1	1	
23	2	26106-080252	BOLT M 8X 25 PLATED							2	2	
24	2	26217-080552	STUD M 8X 55 PLATED							2	2	
25	2	26366-080002	NUT M 8							2	2	
26	1	121450-11260	SUPPORT, ROCKER ARM							1	1	
27	1	121450-11270	SUPPORT, ROCKER ARM							2	2	
28	1	121450-11240	SHAFT, ROCKER ARM							1	1	
30	2	24190-110001	BALL 11/32, STEEL							2	2	
31	1	121550-11280	SPRING							2	2	
32	1	121550-11290	WASHER							6	6	
33	1	22242-000140	CIRCLIP 14							2	2	
34	1	26921-080102	SET SCREW M 8X 10							1	1	
35	1	721450-11650	ARM ASSY, ROCKER							3	3	
39	2	101158-11230	SCREW, VALVE							3	3	
40	2	26756-080002	LOCK NUT M 8 PLATED							3	3	
41	1	721450-11660	ARM ASSY, ROCKER							3	3	
45	2	101158-11230	SCREW, VALVE							3	3	
46	2	26756-080002	LOCK NUT M 8 PLATED							3	3	
47	1	128275-11410	CHAMBER, REAR							3	3	
48	1	105311-11420	CHAMBER, FRONT							3	3	
50	2	103338-11430	PIN							3	3	
51	1	124950-11450	GASKET, CHAMBER							6	6	
52	1	128275-11490	INSULATOR							3	3	
53	1	128275-11500	COVER							3	3	
54	1	101147-11900	FLANGE							3	3	
55	1	24341-000260	O-RING 1A S-26.0							3	3	

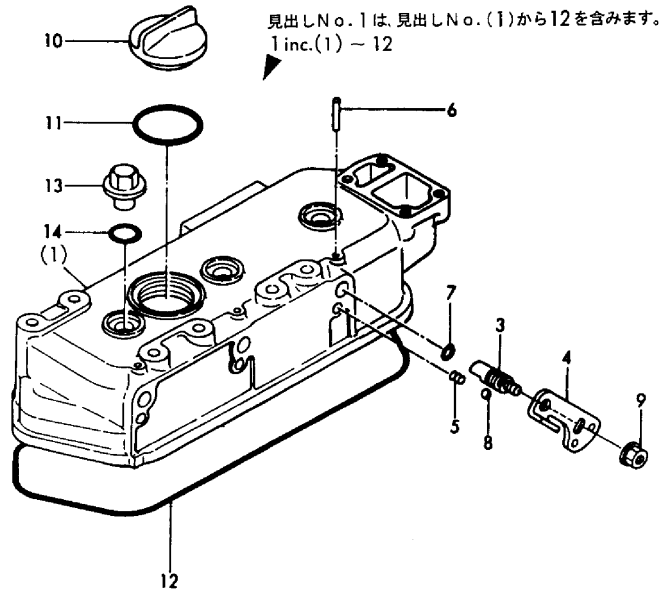
## Remarks

1)CYLINDER HEAD ASSY OF MODEL 3GM30F  
IS SUPPLIED AS MODEL 3GM30.  
ALTHOUGH COMPONENT PARTS ARE PARTLY  
DIFFERET, BUT INTERCHANGEABLE.

Fig.18.BONNET

(A)=3GM30 (D)=3GM30C  
 (B)=3GM30VE (E)=3GM30F  
 (C)=3GM30B (F)=3GM30FVE

Fig. 18 ボンネット  
 BONNET

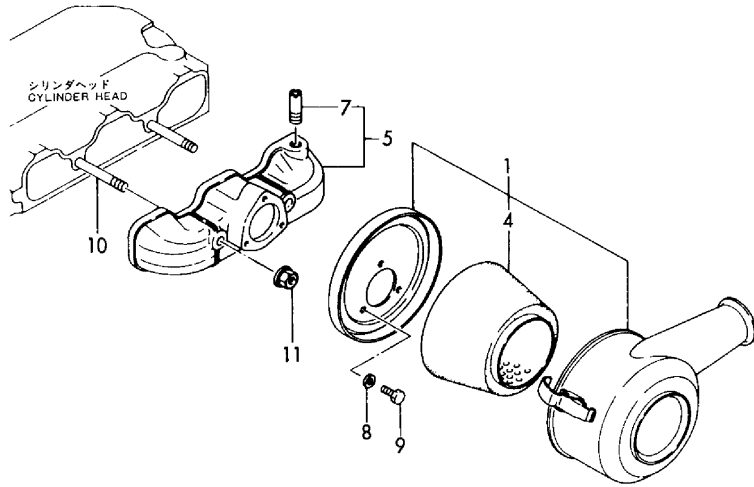


REF.	LEV.	PARTS NO.	DESCRIPTION	QTY						I	R
				(A)	(B)	(C)	(D)	(E)	(F)		
1	1	728370-11520	BONNET ASSY, HEAD	1	1	1	1	1	1		
3	2	128270-03610	SHAFT, DECOMPRESSION	3	3	3	3	3	3		
4	2	128270-03750	LEVER, DECOMPRESSION	3	3	3	3	3	3		
5	2	128270-03640	SPRING	3	3	3	3	3	3		
6	2	22312-030220	PARALLEL PIN 3X22	3	3	3	3	3	3		
7	2	24311-000070	O-RING 1A P-7.0	3	3	3	3	3	3		
8	2	24190-080001	BALL 1/4, STEEL	3	3	3	3	3	3		
9	2	26366-060002	NUT M 6	3	3	3	3	3	3		
10	2	124160-01751	CAP, LUB.OIL SUPPLY	1	1	1	1	1	1		
11	2	24321-000350	O-RING 1A G-35.0	1	1	1	1	1	1		
12	2	121450-11310	GASKET, BONNET	1	1	1	1	1	1		
13	1	124160-11360	KNOB	3	3	3	3	3	3		
14	1	24311-000120	O-RING 1A P 12.0	3	3	3	3	3	3		

Fig.19.AIR INTAKE SILENCER

(A)=3GM30 (D)=3GM30C  
 (B)=3GM30VE (E)=3GM30F  
 (C)=3GM30B (F)=3GM30FVE

Fig. 19 吸気サイレンサ  
 AIR INTAKE SILENCER

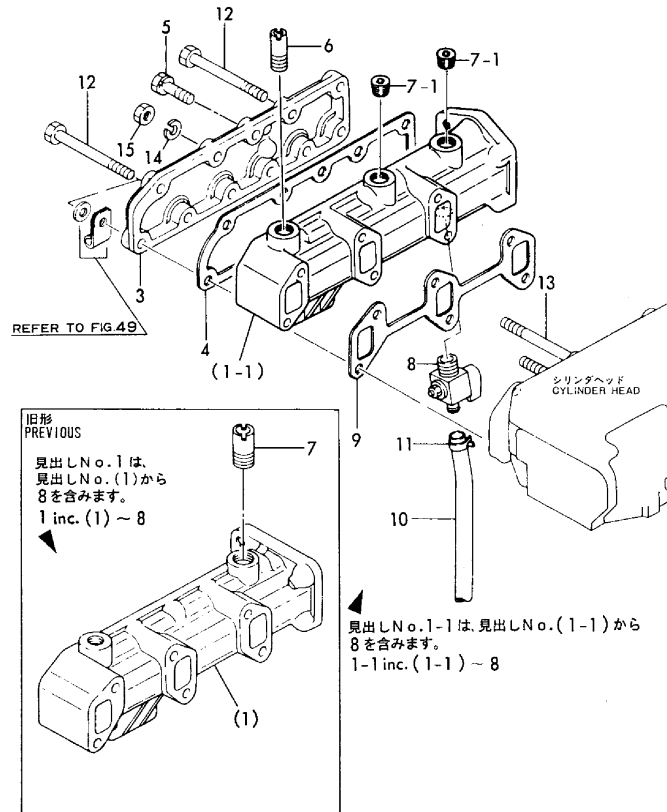


REF.	LEV.	PARTS NO.	DESCRIPTION	Q'TY						I	R
				(A)	(B)	(C)	(D)	(E)	(F)		
1	1	128270-12500	SILENCER, AIR INTAKE	1	1	1	1	1	1		
4	2	128270-12540	ELEMENT, SILENCER	1	1	1	1	1	1		
5	1	128370-12730	MANIFOLD, AIR INTAKE	1	1	1	1	1	1		
7	2	124770-11770	JOINT PT1/8	1	1	1	1	1	1		
8	1	22117-060000	WASHER 6	3	3	3	3	3	3		
9	1	26013-060142	BOLT M 6X 14								
10	1	26217-080552	STUD M 8X 55 PLATED	2	2	2	2	2	2		
11	1	26366-080002	NUT M 8	2	2	2	2	2	2		

Fig.20.EXHAUST MANIFOLD

(A)=3GM30 (D)=3GM30C  
 (B)=3GM30VE (E)=3GM30F  
 (C)=3GM30B (F)=3GM30FVE

Fig.20 排気マニホールド  
 EXHAUST MANIFOLD



REF.	LEV.	PARTS NO.	DESCRIPTION	QTY						I	R
				(A)	(B)	(C)	(D)	(E)	(F)		
1	1	728370-13500	MANIFOLD ASSY, EXH.	1	1	1					
1-1	1	728370-13501	MANIFOLD ASSY, EXH.	1	1	1	1				F 1
		(A=E01538)	(C=E00133) (D=E00212)								
3	2	128370-13160	COVER, MANIFOLD	1	1	1	1				
4	2	128370-13180	GASKET	1		1	1				
I 4-1	2	128370-13181	GASKET, (NON-ASB.)	1	1	1	1				N
		(A=E11532)	(C=E00343) (D=E01203)								
5	2	26013-080252	BOLT M 8X 25	5	5	5	5				
6	2	127610-42130	JOINT	1	1	1	1				
7	2	121575-49300	JOINT PT 3/8	1		1	1				
7-1	2	23871-030000	PLUG PT3/8,SCREW	2	2	2	2				S
		(A=E01538)	(C=E00133) (D=E00212)								
8	2	104200-11920	COCK	1	1	1	1				
9	1	121450-13250	GASKET, EXH.MANIFOLD	1		1	1				
I 9-1	1	121450-13251	GASKET, (NON-ASB.)	1	1	1	1				N
		(A=E11532)	(C=E00343) (D=E01203)								
10	1	23061-100300	PIPE 10X 300	1	1	1	1				
11	1	124223-49750	BAND	1	1	1	1				
12	1	26115-080802	BOLT M 8X80	4	4	4	4				
13	1	128670-13350	STUD M 8X80	2	2	2	2				
14	1	22217-080000	SPRING WASHER 8	6	6	6	6				
15	1	26703-080002	NUT M 8	2	2	2	2				

Remarks

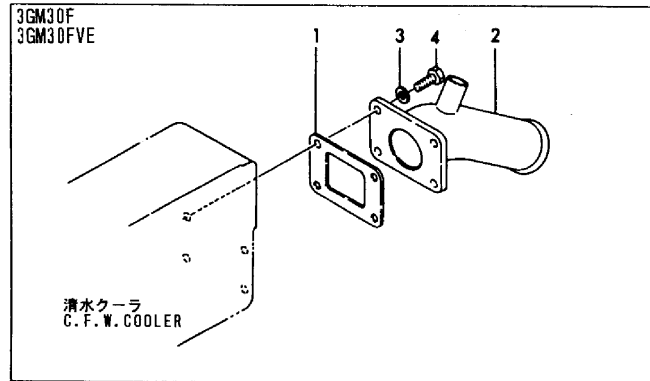
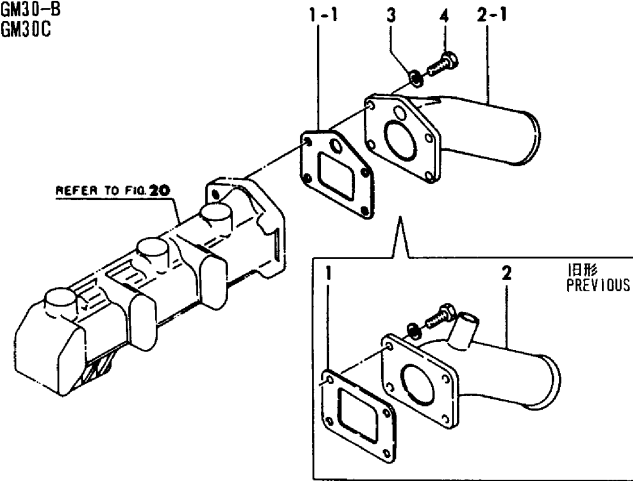
- 1) INTERCHANGEABLE BY SIMULTANEOUS REPLACEMENT WITH JOINT(121575-49300),SPACER(128370-13220) & GASKET(128370-13230).

Fig.21.MIXING ELBOW

(A)=3GM30 (D)=3GM30C  
 (B)=3GM30VE (E)=3GM30F  
 (C)=3GM30B (F)=3GM30FVE

Fig.21 ミキシングエルボ  
 MIXING ELBOW

3GM30  
 3GM30VE  
 3GM30-B  
 3GM30C

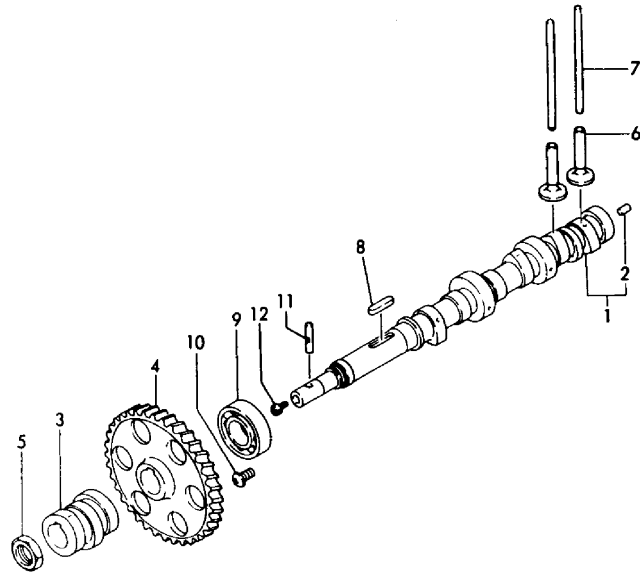


REF.	LEV.	PARTS NO.	DESCRIPTION	QTY						I	R	
				(A)	(B)	(C)	(D)	(E)	(F)			
1	1	128370-13200	GASKET	1	1	1	1	1	1			
1-1	1	128370-13230	GASKET	1		1	1				S	
		(A=E01538)	(C=E00133) (D=E00212)									
1-2	1	128370-13231	GASKET	1	1	1	1				S	
		(A=E05446)	(C=E00215) (D=E00123)									
I	1-3	128370-13201	GASKET, (NON-ASB.)							1	1	N
			(E=E11515)									
2	1	128370-13530	ELBOW, MIXING	1		1	1	1	1			
2-1	1	128370-13550	ELBOW, MIXING	1	1	1	1	1			S	
		(A=E01538)	(C=E00133) (D=E00212)									
3	1	22217-080000	SPRING WASHER 8	4	4	4	4	4	4	4		
4	1	26203-080202	BOLT M 8X 20	4	4	4	4	4	4	4		

(A)=3GM30 (D)=3GM30C  
 (B)=3GM30VE (E)=3GM30F  
 (C)=3GM30B (F)=3GM30FVE

Fig.22.CAMSHAFT

Fig.22 カムシャフト  
 CAMSHAFT

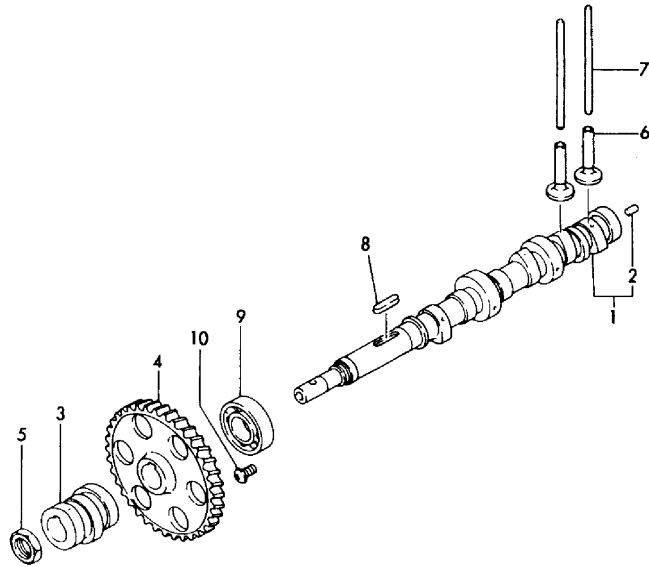


REF.	LEV.	PARTS NO.	DESCRIPTION	Q'TY						I	R
				(A)	(B)	(C)	(D)	(E)	(F)		
1	1	128370-14010	CAMSHAFT	1	1		1				
2	2	121000-14550	PLUG	1	1		1				
3	1	121575-14090	CAM, FUEL	1	1		1				
4	1	129350-14100	GEAR, CAMSHAFT	1	1		1				
5	1	128170-14150	NUT, CAM	1	1		1				
6	1	104200-14200	TAPPET	6	6		6				
7	1	121450-14400	ROD, PUSH	6	6		6				
8	1	22512-070300	KEY 7X 30	1	1		1				
9	1	24101-062054	BEARING #6205	1	1		1				
10	1	26587-080122	SCREW M 8X 12	1	1		1				
11	1	124070-14760	PIN	1	1		1				
12	1	26450-050102	BOLT M 5X 10	1	1		1				

(A)=3GM30 (D)=3GM30C  
 (B)=3GM30VE (E)=3GM30F  
 (C)=3GM30B (F)=3GM30FVE

Fig.23.CAMSHAFT

Fig.23 カムシャフト  
 CAMSHAFT



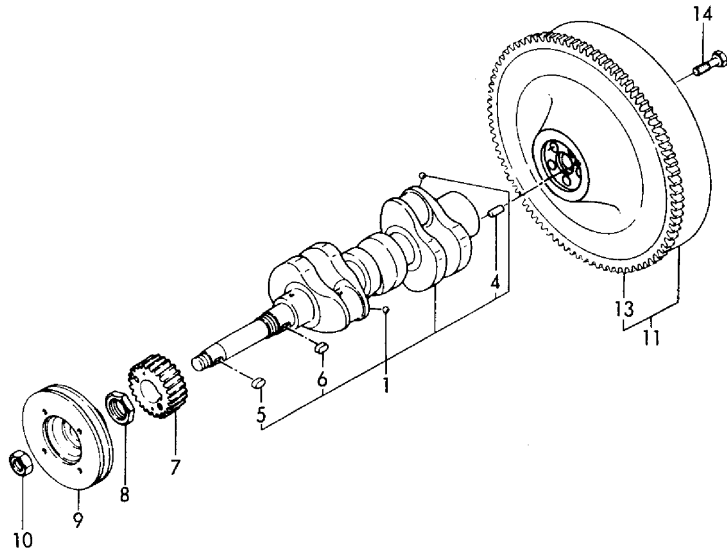
REF.	LEV.	PARTS NO.	DESCRIPTION	QTY						I	R	
				(A)	(B)	(C)	(D)	(E)	(F)			
1	1	128370-14010	CAMSHAFT				1		1	1		
2	2	121000-14550	PLUG				1		1	1		
3	1	121575-14090	CAM, FUEL				1		1	1		
4	1	129350-14100	GEAR, CAMSHAFT				1		1	1		
5	1	128170-14150	NUT, CAM				1		1	1		
6	1	104200-14200	TAPPET				6		6	6		
7	1	121450-14400	ROD, PUSH				6		6	6		
8	1	22512-070300	KEY 7X 30				1		1	1		
9	1	24101-062054	BEARING #6205				1		1	1		
10	1	26587-080122	SCREW M 8X 12				1		1	1		



(A)=3GM30 (D)=3GM30C  
 (B)=3GM30VE (E)=3GM30F  
 (C)=3GM30B (F)=3GM30FVE

Fig.24.CRANKSHAFT & FLYWHEEL

Fig. **24** クランクシャフト&フライホイール  
 CRANKSHAFT & FLYWHEEL



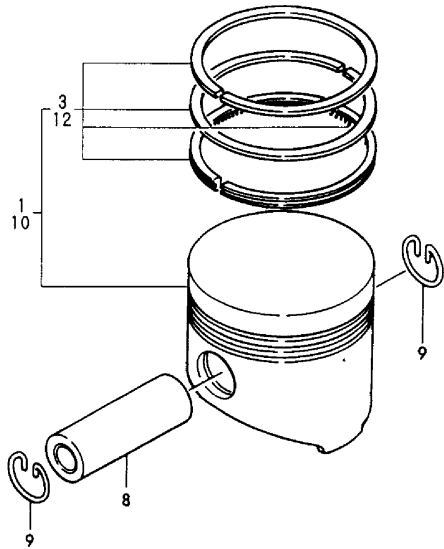
REF.	LEV.	PARTS NO.	DESCRIPTION	QTY						I	R
				(A)	(B)	(C)	(D)	(E)	(F)		
1	1	721085-21701	CRANKSHAFT ASSY	1	1	1	1	1	1		
4	2	22312-080160	PARALLEL PIN 8X 16	1	1	1	1	1	1		
5	2	22512-070180	KEY 7X 18	1	1	1	1	1	1		
6	2	22512-070180	KEY 7X 18	1	1	1	1	1	1		
7	1	129350-21200	GEAR, CRANKSHAFT	1	1	1	1	1	1		
8	1	121450-21540	NUT, CRANKSHAFT GEAR	1		1	1	1			
8-1	1	121450-21541	NUT, CRANKSHAFT GEAR	1	1	1	1	1	1	1	N
		(A=*1982.07)	(C=*1982.07)			(D=*1982.07)		(E=*1982.07)			
9	1	128370-21650	V-PULLEY	1	1	1	1	1	1		
10	1	26776-180002	NUT M18,LOCK	1	1	1	1	1	1		
11	1	128371-21590	FLYWHEEL W/RING GEAR	1	1	1	1	1	1		
13	2	124950-21600	GEAR, RING	1	1	1	1	1	1		
14	1	121574-21500	BOLT, REAMER	5	5	5	5	5	5		

(A)=3GM30 (D)=3GM30C  
 (B)=3GM30VE (E)=3GM30F  
 (C)=3GM30B (F)=3GM30FVE

Fig.25.PISTON

P/C NEWS No: Y00F5062-2  
 PUBLISHED: 2000/11

Fig. 25 ピストン  
 PISTON



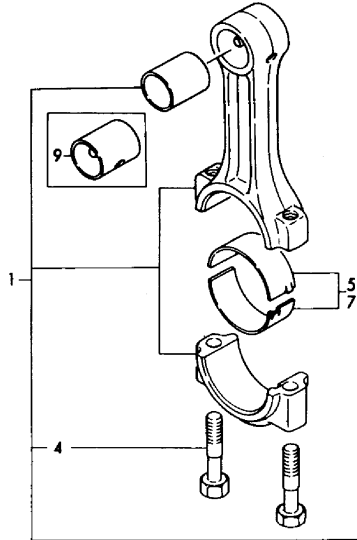
REF.	LEV.	PARTS NO.	DESCRIPTION	QTY						I	R
				(A)	(B)	(C)	(D)	(E)	(F)		
1	1	105311-22090	PISTON W/RINGS	3	3	3	3	3	3		
3	2	705311-22500	RING SET	3	3	3	3	3	3		
8	1	105225-22300	PIN, PISTON	3	3	3	3	3	3		
9	1	105225-22400	CIRCLIP	6	6	6	6	6	6		
I 10	1	128171-22250	PISTON W/RINGS OS.25	3	3	3	3	3	3		1
I 12	2	705325-22540	RING SET 025	3	3	3	3	3	3		1

Remarks  
 (1)OVER SIZED(O.S=0.25)PART.

Fig.26.CONNECTING ROD

(A)=3GM30 (D)=3GM30C  
 (B)=3GM30VE (E)=3GM30F  
 (C)=3GM30B (F)=3GM30FVE

Fig. **26** コネクティングロッド  
 CONNECTING ROD



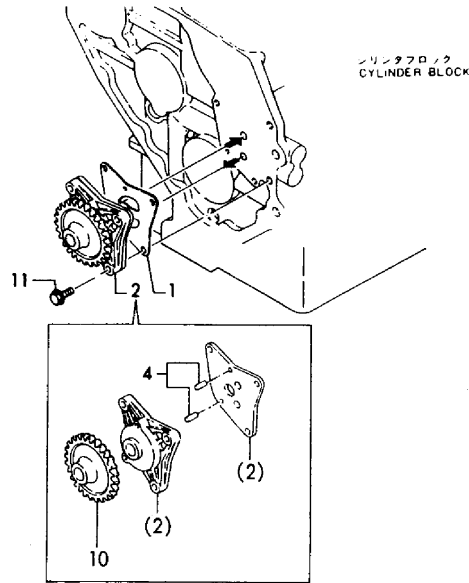
REF.	LEV.	PARTS NO.	DESCRIPTION	Q'TY						I	R
				(A)	(B)	(C)	(D)	(E)	(F)		
1	1	728171-23100	ROD ASSY, CONNECTING	3	3	3	3	3	3		
4	2	105225-23200	BOLT, ROD	6	6	6	6	6	6		
5	2	705311-23600	METAL, CRANKPIN	3	3	3	3	3	3		
7	1	105311-23380	METAL, PIN US=0.25	3	3	3	3	3	3		1
9	1	105225-23180	BUSH, PISTON PIN *	3	3	3	3	3	3		2

Remarks  
 (1) UNDER-SIZED PART.  
 (2) REPAIR PART.

Fig.27.LUB. OIL PUMP

(A)=3GM30 (D)=3GM30C  
 (B)=3GM30VE (E)=3GM30F  
 (C)=3GM30B (F)=3GM30FVE

Fig. 27 潤滑油ポンプ  
 LUB. OIL PUMP

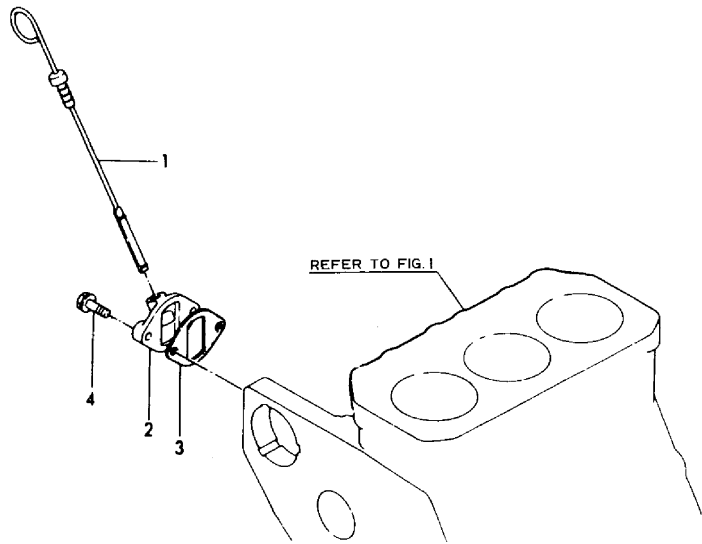


REF.	LEV.	PARTS NO.	DESCRIPTION	Q'TY						I R
				(A)	(B)	(C)	(D)	(E)	(F)	
1	1	121450-32021	GASKET, L.O.PUMP	1	1	1	1	1	1	
2	1	121575-32090	PUMP ASSY, LUB OIL	1	1	1	1	1	1	
4	2	121450-32050	PARALLEL PIN	2		2	2	2		
4-1	2	121450-32050	PARALLEL PIN	1	1	1	1	1	1	K
		(A=E02448)	(C=E00158)	(D=E00106)	(E=E02340)					
4A	2	121450-32060	PIN 4X8	1	1	1	1	1	1	W
		(A=E02448)	(C=E00158)	(D=E00106)	(E=E02340)					
10	2	121450-32200	GEAR, LUB OIL PUMP	1	1	1	1	1	1	
11	1	26013-060222	BOLT M 6X 22	3	3	3	3	3	3	

Fig.28.LUB. OIL DIPSTICK

(A)=3GM30 (D)=3GM30C  
 (B)=3GM30VE (E)=3GM30F  
 (C)=3GM30B (F)=3GM30FVE

Fig. 28 検油棒  
 LUB.OIL DIPSTICK

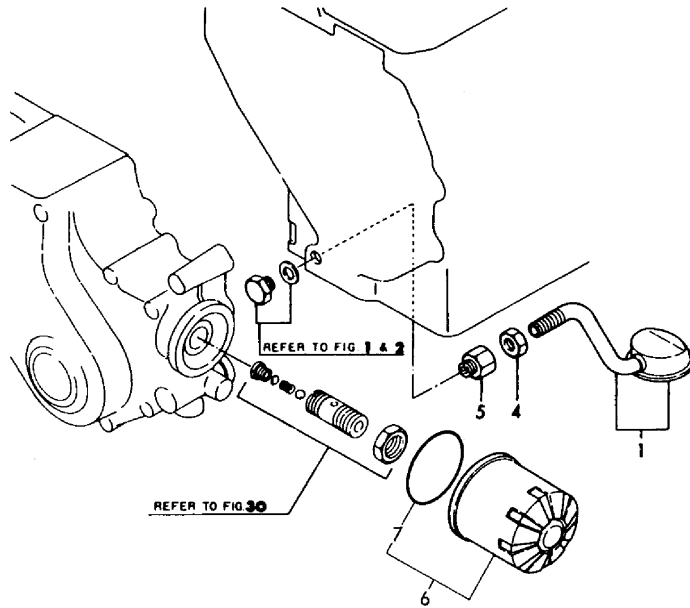


REF.	LEV.	PARTS NO.	DESCRIPTION	QTY						I	R
				(A)	(B)	(C)	(D)	(E)	(F)		
1	1	128370-34800	DIPSTICK, LUB. OIL	1	1	1	1	1	1		
2	1	121575-34830	GUIDE, DIPSTICK	1	1	1	1	1	1		
3	1	124160-34844	GASKET	1		1	1	1			
I	3-1	124160-34845	GASKET, (NON-ASB.)	1	1	1	1	1	1	1	N
		(A=E11532)	(C=E00343)	(D=E01203)	(E=E11515)						
4	1	26106-080252	BOLT M 8X 25 PLATED	2	2	2	2	2	2	2	

Fig.29.LUB. OIL STRAINER

(A)=3GM30 (D)=3GM30C  
 (B)=3GM30VE (E)=3GM30F  
 (C)=3GM30B (F)=3GM30FVE

**Fig. 29** 潤滑油フィルタ  
 LUB.OIL STRAINER

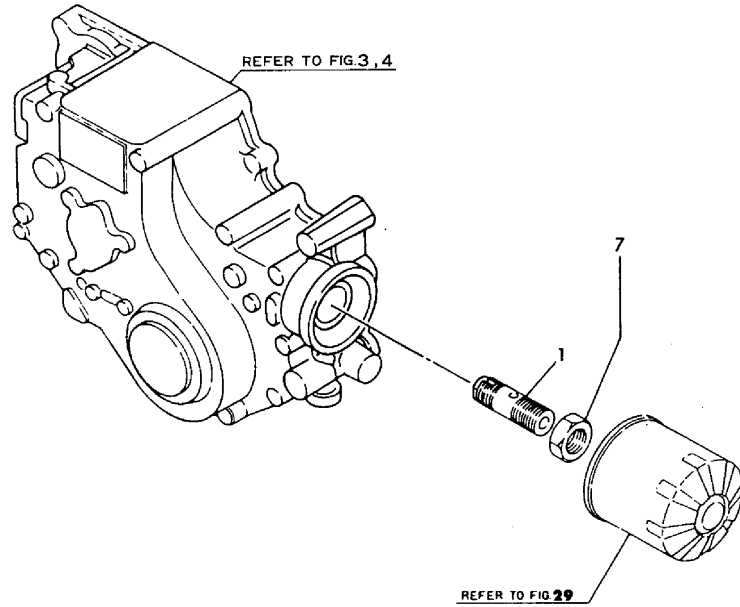


REF.	LEV.	PARTS NO.	DESCRIPTION	Q'TY						I	R	
				(A)	(B)	(C)	(D)	(E)	(F)			
I	1	1	121450-35090	PIPE ASSY, OIL INLET								
I	4	1	124450-35070	NUT PF1/4								
I	5	1	121150-35100	FITTINGS								
I	6	1	124450-35100	FILTER, LUB. OIL	1		1	1	1			
I	6-1	1	119660-35150	FILTER, LUB. OIL	1	1	1	1	1	1	N	
		(A=E11532)		(C=E00343)			(D=E01203)		(E=E11515)			
I	7	2	124450-35110	O-RING, L.O.STRAINER	1	1	1	1	1	1	W	
		(A=E0000)		(C=E0000)			(D=E0000)		(E=E0000)			

(A)=3GM30 (D)=3GM30C  
 (B)=3GM30VE (E)=3GM30F  
 (C)=3GM30B (F)=3GM30FVE

Fig.30.L.O.PRESS.REGULATING VALVE

Fig. **30** 潤滑油調圧弁  
 L.O.PRESS.REGULATING VALVE

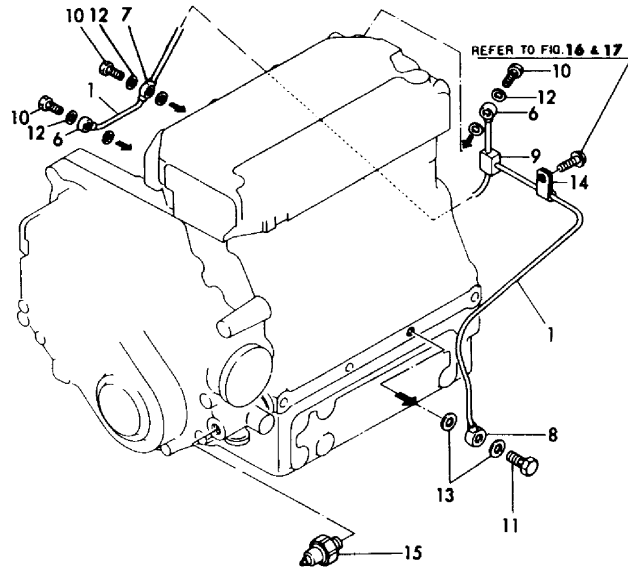


REF.	LEV.	PARTS NO.	DESCRIPTION	QTY						I	R
				(A)	(B)	(C)	(D)	(E)	(F)		
1	1	124085-35300	VALVE ASSY, CONTROL	1	1	1	1	1	1		
7	1	124085-35350	LOCK NUT M20	1	1	1	1	1	1		

Fig.31.LUB. OIL LINE

(A)=3GM30 (D)=3GM30C  
 (B)=3GM30VE (E)=3GM30F  
 (C)=3GM30B (F)=3GM30FVE

Fig.31 潤滑油パイプ  
 LUB.OIL PIPE



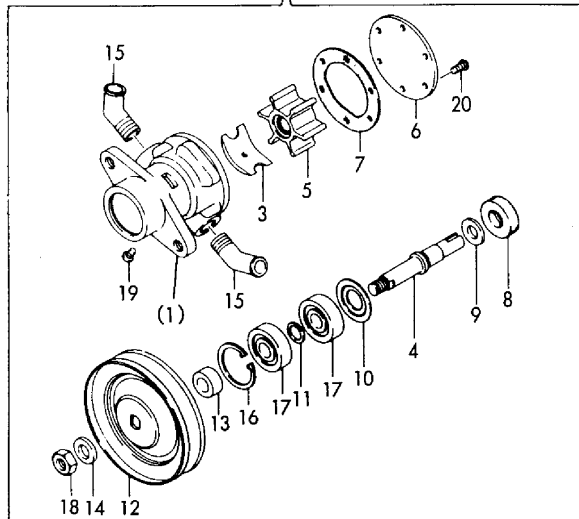
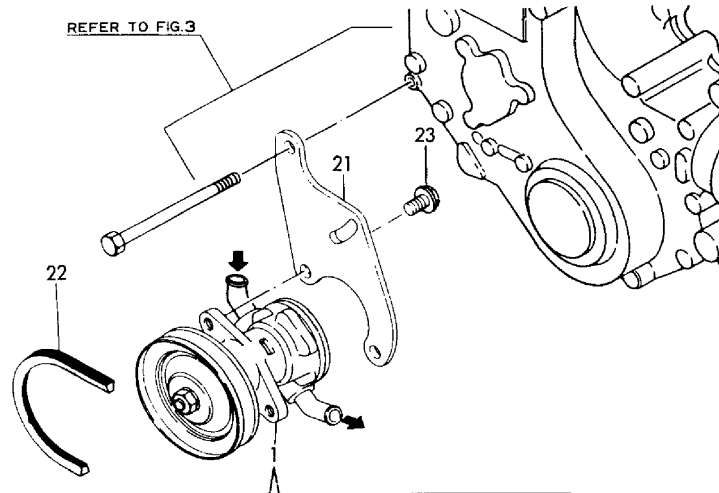
REF.	LEV.	PARTS NO.	DESCRIPTION	QTY						I	R
				(A)	(B)	(C)	(D)	(E)	(F)		
1	1	128370-39200	PIPE, LUB OIL	1	1	1	1	1	1		
6	2	103288-39170	JOINT 8	2	2	2	2	2	2		
7	2	124450-39180	JOINT	1	1	1	1	1	1		
8	2	124160-39540	JOINT, PIPE 10	1	1	1	1	1	1		
9	2	121750-39550	3-WAY JOINT	1	1	1	1	1	1		
10	1	124550-59820	BOLT 8, PIPE JOINT	3	3	3	3	3	3		
11	1	124160-39140	BOLT 10, PIPE JOINT	1	1	1	1	1	1		
12	1	23414-080000	GASKET 8, ROUND	6	6	6	6	6	6		
13	1	23414-100000	GASKET 10, ROUND	2	2	2	2	2	2		
14	1	124450-39240	RETAINER, PIPE	1	1	1	1	1	1		
15	1	124060-39451	SENDER, OIL PRESSURE	1	1	1	1	1	1		



(A)=3GM30 (D)=3GM30C  
 (B)=3GM30VE (E)=3GM30F  
 (C)=3GM30B (F)=3GM30FVE

Fig.32.COOLING SEA WATER PUMP

Fig. **32** 冷却水ポンプ(海水)  
 COOLING SEA WATER PUMP

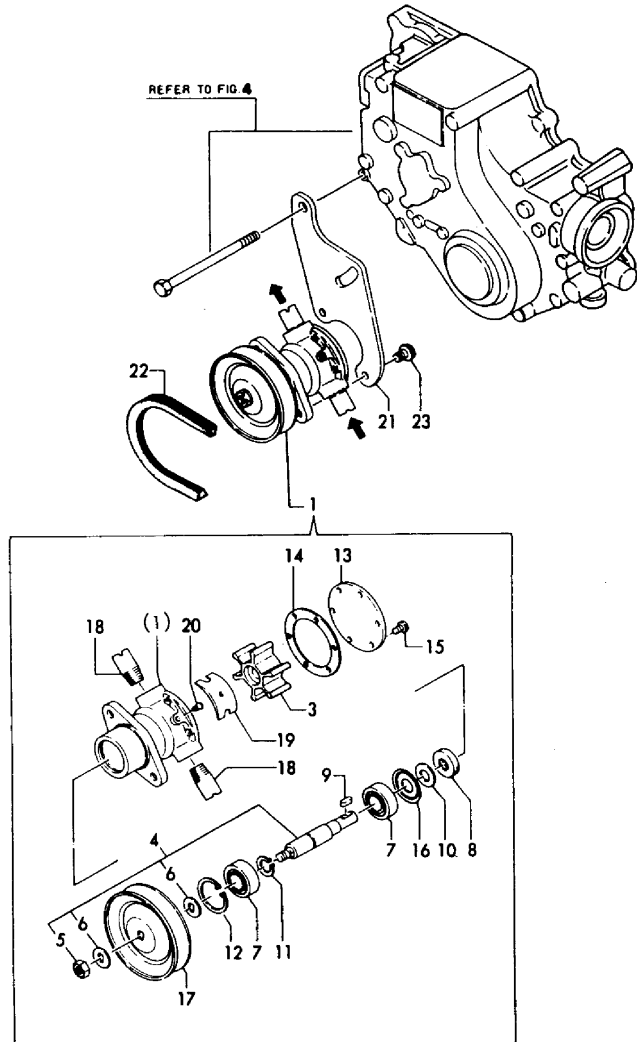


REF.	LEV.	PARTS NO.	DESCRIPTION	QTY						I	R
				(A)	(B)	(C)	(D)	(E)	(F)		
1	1	128270-42000	PUMP ASSY, C. WATER	1	1	1	1				
3	2	104211-42050	CAM	1	1	1	1				
4	2	124070-42060	SHAFT, IMPELLER	1	1	1	1				
5	2	104211-42070	IMPELLER, C. WATER	1	1	1	1				
6	2	104211-42080	COVER, C.W. PUMP	1	1	1	1				
7	2	104211-42090	GASKET	1	1	1	1				
8	2	104211-42100	SEAL TC10 25 7, OIL	1	1	1	1				
9	2	104211-42110	RING, WATER SEAL	1	1	1	1				
10	2	104211-42120	RETAINER	1	1	1	1				
11	2	104211-42130	SPACER	1	1	1	1				
12	2	124070-42400	V-PULLEY, C.W. PUMP	1	1	1	1				
13	2	124070-42410	COLLAR	1	1	1	1				
14	2	124070-42420	WASHER	1	1	1	1				
15	2	128270-49300	ELBOW 1/4	2	2	2	2				
16	2	22252-000300	CIRCLIP 30	1	1	1	1				
17	2	24107-062004	BALL BEARING	2	2	2	2				
18	2	26347-080002	U-NUT M 8	1	1	1	1				
19	2	26554-040062	SCREW M 4X 6	1	1	1	1				
20	2	26554-040082	SCREW M 4X 8	6	6	6	6				
21	1	128270-42150	BRACKET, C.W. PUMP	1	1	1	1				
22	1	104511-78780	V-BELT	1	1	1	1				
23	1	26106-080122	BOLT M 8X 12 PLATED	2	2	2	2				

(A)=3GM30 (D)=3GM30C  
 (B)=3GM30VE (E)=3GM30F  
 (C)=3GM30B (F)=3GM30FVE

Fig.33.COOLING SEA WATER PUMP

Fig.33 冷却水ポンプ(海水)  
 COOLING SEA WATER PUMP

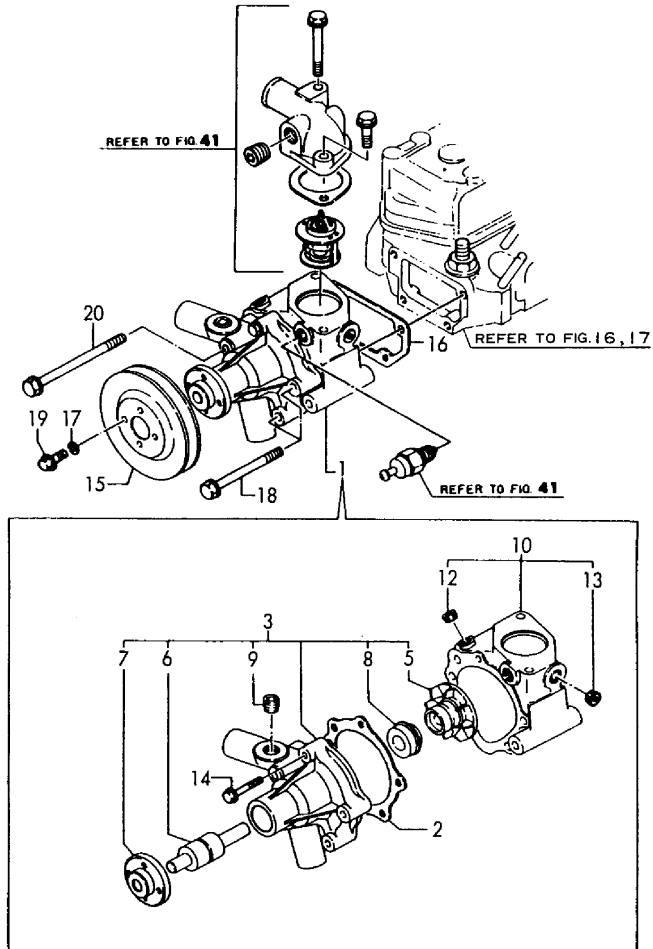


REF.	LEV.	PARTS NO.	DESCRIPTION	QTY						I	R		
				(A)	(B)	(C)	(D)	(E)	(F)				
1	1	121575-42000	PUMP ASSY, C.S.W.							1	1		
3	2	124223-42091	IMPELLER, C. WATER							1	1		
4	2	121575-42020	SHAFT, IMPELLER							1	1		
5	3	26347-080002	U-NUT M 8							1	1		
6	3	124070-42420	WASHER							2	2		
7	2	24107-062024	BALL BEARING							2	2		
8	2	124223-42080	SEAL TC13 28 7, OIL							1	1		
9	2	124223-42040	KEY							1	1		
10	2	124223-42070	PIECE							1	1		
11	2	22242-000150	CIRCLIP 15							1	1		
12	2	22252-000350	CIRCLIP 35							1	1		
13	2	121575-42150	COVER							1	1		
14	2	124223-42110	GASKET							1	1		
15	2	26554-040082	SCREW M 4X 8							6	6		
16	2	121575-42120	COVER							1	1		
17	2	124070-42400	V-PULLEY, C.W. PUMP							1	1		
18	2	121575-49300	JOINT PT 3/8							2	2		
19	2	124323-42100	CAM, IMPELLER							1	1		
20	2	26554-040102	SCREW M 4X 10							1	1		
21	1	128270-42150	BRACKET, C.W. PUMP							1	1		
22	1	104511-78780	V-BELT							1	1		
23	1	26106-080122	BOLT M 8X 12 PLATED							2	2		

(A)=3GM30 (D)=3GM30C  
 (B)=3GM30VE (E)=3GM30F  
 (C)=3GM30B (F)=3GM30FVE

Fig.34.COOLING FRESH WATER PUMP

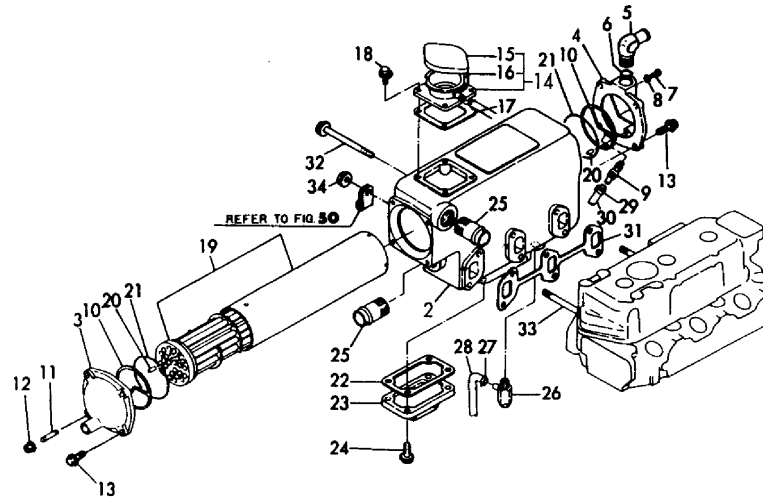
Fig. 34 冷却水ポンプ(清水)  
 COOLING FRESH WATER PUMP



REF.	LEV.	PARTS NO.	DESCRIPTION	QTY						I	R
				(A)	(B)	(C)	(D)	(E)	(F)		
1	1	128695-42010	PUMP ASSY, C.F.W.							1	1
2	2	121000-42051	GASKET, C.W.PUMP							1	1
3	2	121000-42100	PUMP ASSY, C. WATER							1	1
5	3	129350-42200	IMPELLER							1	1
6	3	121450-42240	SHAFT, IMPELLER							1	1
7	3	121450-42260	FLANGE, V-PULLEY							1	1
8	3	121450-42310	SEAL, MECHANICAL							1	1
9	3	23871-030000	PLUG PT3/8,SCREW							1	1
10	2	728695-43500	BRACKET ASSY, PUMP							1	1
12	3	23871-020000	PLUG PT1/4,SCREW							1	1
13	3	23871-030000	PLUG PT3/8,SCREW							1	1
14	2	26106-060322	BOLT M 6X 32 PLATED							1	1
15	1	128695-42350	V-PULLEY							1	1
16	1	121450-44410	GASKET, BRACKET							1	1
17	1	22217-060000	SPRING WASHER 6							4	4
18	1	26106-080902	BOLT M 8X 90 PLATED							3	3
19	1	26106-060102	BOLT M 6X 10 PLATED							4	4
20	1	26106-081102	BOLT M 8X110 PLATED							1	1

Fig.35.COOLING FRESH WATER COOLER

Fig.35 清水クーラ  
COOLING FRESH WATER COOLER



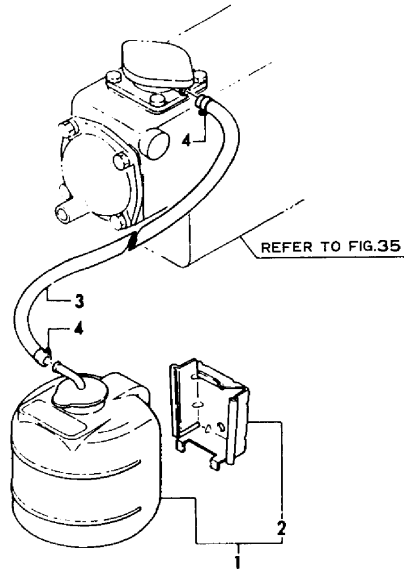
(A)=3GM30 (D)=3GM30C  
(B)=3GM30VE (E)=3GM30F  
(C)=3GM30B (F)=3GM30FVE

REF.	LEV.	PARTS NO.	DESCRIPTION	QTY						I	R	
				(A)	(B)	(C)	(D)	(E)	(F)			
1	1	728390-44500	EXCHANGER ASSY, HEAT								1	
I 1-1	1	128390-44900	EXCHANGER ASSY, HEAT								1	1 N
				(E=E11046)								
2	2	128390-44010	TANK, HEAT EXCHANGER								1	1
3	2	128695-44050	COVER, SIDE								1	1
4	2	128690-44060	COVER, OUTLET								1	1
5	2	128690-49310	ELBOW								1	1
6	2	24311-000160	O-RING 1A P-16.0								1	1
7	2	26554-050102	SCREW M 5X 10								1	1
8	2	23414-050000	GASKET 5								1	1
9	2	128695-44090	COCK PT1/8								1	1
10	2	128695-44070	GASKET								2	2
11	2	26216-060182	STUD M 6X 18 PLATED								1	1
12	2	26366-060002	NUT M 6								1	1
13	2	26106-060182	BOLT M 6X 18 PLATED								7	7
14	2	123682-44190	FILLER W/BALL								1	1
15	3	123682-44210	CAP								1	1
16	3	123682-44220	CHAIN								1	1
17	2	123682-44200	GASKET								1	
I 17-1	2	123682-44201	GASKET, (NON-ASB.)								1	1 N
				(E=E11515)								
18	2	26106-060142	BOLT M 6X 14 PLATED								4	4
19	2	128390-44401	CORE ASSY, COOLER								1	1
20	2	124790-44470	PIN								2	2
21	2	24311-000700	O-RING 1A P-70.0								2	2
22	2	128390-44490	GASKET								1	
I 22-1	2	128390-44491	GASKET, (NON-ASB.)								1	1 N
				(E=E11515)								
23	2	128390-44480	COVER, TANK								1	1
24	2	26106-080202	BOLT M 8X 20 PLATED								4	4
25	2	124160-49480	JOINT, PIPE								2	2
26	2	120130-49350	COCK 1/4								1	1
27	1	124460-77680	RETAINER								1	1
28	1	23061-070300	PIPE 7X 300								1	1
29	1	124722-59050	CLAMP 9								1	
I 29-1	1	124460-77680	RETAINER								1	1 N
				(E=E13317)								
30	1	23061-070300	PIPE 7X 300								1	1
31	1	121450-13250	GASKET, EXH.MANIFOLD								1	
I 31-1	1	121450-13251	GASKET, (NON-ASB.)								1	1 N
				(E=E11515)								
32	1	26106-080902	BOLT M 8X 90 PLATED								4	4
33	1	26216-080902	STUD M 8X 90 PLATED								2	2
34	1	26366-080002	NUT M 8								2	2

Fig.36.SUBTANK

(A)=3GM30 (D)=3GM30C  
 (B)=3GM30VE (E)=3GM30F  
 (C)=3GM30B (F)=3GM30FVE

Fig. **36** サブタンク  
 SUB TANK

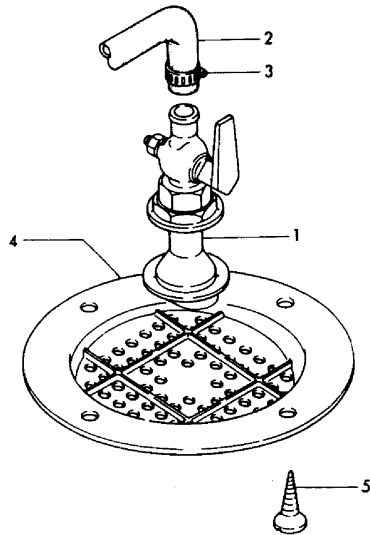


REF.	LEV.	PARTS NO.	DESCRIPTION	Q'TY						I	R
				(A)	(B)	(C)	(D)	(E)	(F)		
1	1	120445-44530	SUB RESERVOIR ASSY							1	1
2	2	120445-44540	BRACKET, SUB-TANK							1	1
3	1	124790-44560	PIPE, C. WATER							1	1
4	1	23010-013000	CLAMP 13							2	2

(A)=3GM30 (D)=3GM30C  
 (B)=3GM30VE (E)=3GM30F  
 (C)=3GM30B (F)=3GM30FVE

Fig.37.KINGSTON COCK

Fig. **37** キングストンコック  
 KINGSTON COCK



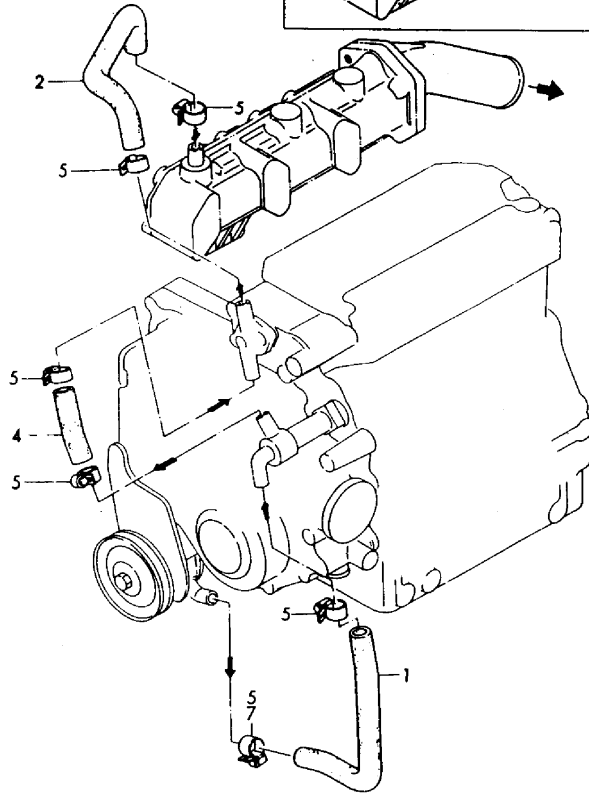
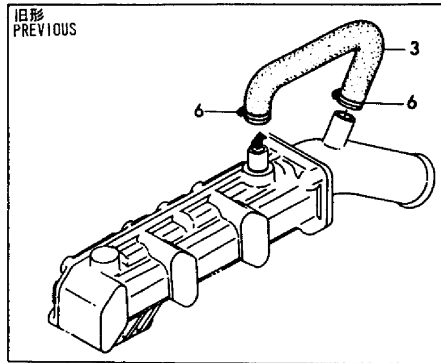
REF.	LEV.	PARTS NO.	DESCRIPTION	Q'TY						I	R
				(A)	(B)	(C)	(D)	(E)	(F)		
1	1	43662-010030	COCK ASSY, SEA WATER	1	1	1					1
2	1	104211-49080	PIPE, COOLING WATER	1	1	1					1
3	1	23000-022000	CLAMP 22	3	3	3					1
4	1	43666-020951	COVER, STRAINER	1	1	1					1
5	1	22724-800380	SCREW 8X 38	4	4	4					1

Remarks  
 1)OPTIONAL FOR 3GM30 & 3GM30VE

(A)=3GM30 (D)=3GM30C  
 (B)=3GM30VE (E)=3GM30F  
 (C)=3GM30B (F)=3GM30FVE

Fig.38.COOLING SEA WATER LINE

Fig.38 冷却水パイプ(海水)  
 COOLING SEA WATER PIPE

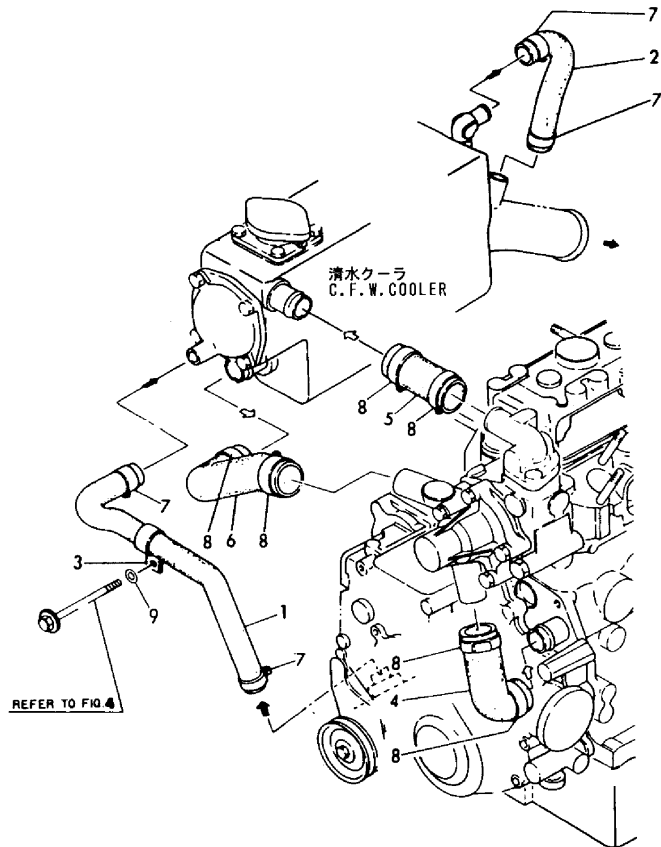


REF.	LEV.	PARTS NO.	DESCRIPTION	QTY						I	R
				(A)	(B)	(C)	(D)	(E)	(F)		
1	1	128270-49010	PIPE, COOLING WATER	1		1	1				
1A	1	121370-49040	PIPE, COOLING WATER		1						
2	1	128370-49020	PIPE, COOLING WATER	1	1	1	1				
3	1	121370-49040	PIPE, COOLING WATER	1		1	1				Z
		(A=E01538)	(C=E00133) (D=E00212)								
4	1	128270-49050	PIPE, COOLING WATER	1	1	1	1				
5	1	23000-022000	CLAMP 22	6	4	6	6				
6	1	23000-025000	CLAMP 25	2		2	2				Z
		(A=E01538)	(C=E00133) (D=E00212)								
7	1	23000-025000	CLAMP 25		2						

(A)=3GM30 (D)=3GM30C  
 (B)=3GM30VE (E)=3GM30F  
 (C)=3GM30B (F)=3GM30FVE

Fig.39.COOLING FRESH WATER LINE

Fig.39 冷却水パイプ(清水)  
 COOLING FRESH WATER PIPE



REF.	LEV.	PARTS NO.	DESCRIPTION	QTY						I	R	
				(A)	(B)	(C)	(D)	(E)	(F)			
1	1	128690-49010	PIPE (B), C. WATER						1			
1A	1	128291-49020	PIPE B								1	
2	1	124770-49040	PIPE, COOLING WATER						1		1	
3	1	121575-49310	CLAMP						1		1	
4	1	128290-49510	PIPE, COOLING WATER						1		1	
5	1	128695-49520	PIPE (E), C. WATER						1		1	
6	1	128695-49530	PIPE (F), C. WATER						1		1	
7	1	23000-025000	CLAMP 25						4		4	
8	1	23000-041000	CLAMP 41						6		6	
9	1	22137-060000	WASHER 6, POLISHED						1		1	W

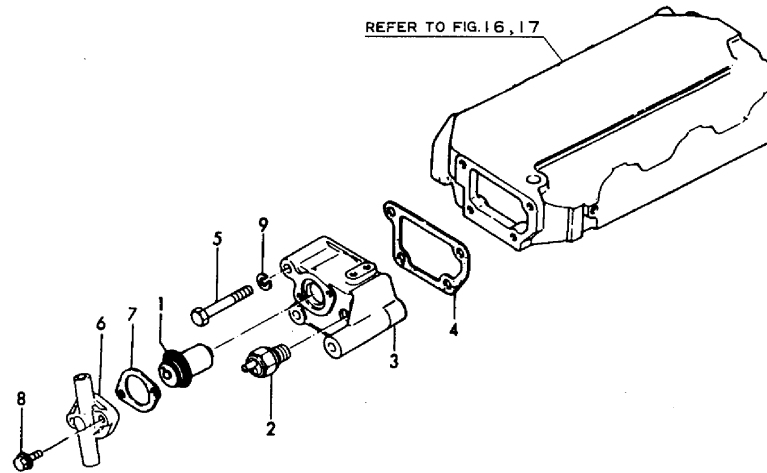
(E=EXXX)



Fig.40.THERMOSTAT

(A)=3GM30 (D)=3GM30C  
 (B)=3GM30VE (E)=3GM30F  
 (C)=3GM30B (F)=3GM30FVE

Fig. **40** サーモスタット  
 THERMOSTAT

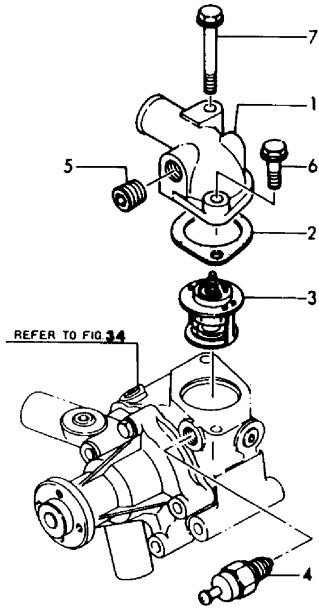


REF.	LEV.	PARTS NO.	DESCRIPTION	QTY						I	R
				(A)	(B)	(C)	(D)	(E)	(F)		
1	1	105582-49200	THERMOSTAT	1	1	1	1				
2	1	128275-91340	SWITCH, THERMO(65C	1	1	1	1				
3	1	128270-49100	BRACKET, THERMOSTAT	1	1	1	1				
4	1	121450-44410	GASKET, BRACKET	1	1	1	1				
5	1	26116-080602	BOLT M 8X 60 PLATED	4	4	4	4				
6	1	128170-49150	COVER, THERMOSTAT	1	1	1	1				
7	1	104211-49160	PACKING	1	1	1	1				
8	1	26106-060182	BOLT M 6X 18 PLATED	2	2	2	2				
9	1	22217-080000	SPRING WASHER 8	4	4	4	4				

Fig.41.THERMOSTAT

(A)=3GM30 (D)=3GM30C  
 (B)=3GM30VE (E)=3GM30F  
 (C)=3GM30B (F)=3GM30FVE

Fig.41 サーモスタット  
 THERMOSTAT

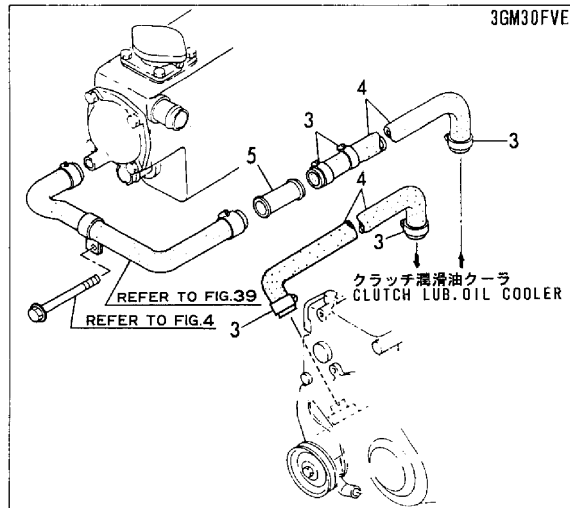
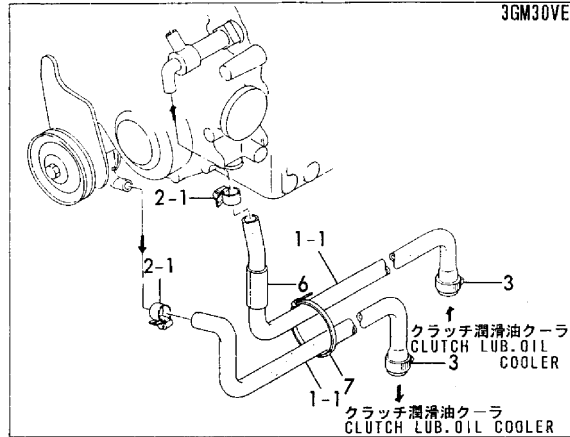
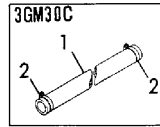


REF.	LEV.	PARTS NO.	DESCRIPTION	QTY						I	R	
				(A)	(B)	(C)	(D)	(E)	(F)			
1	1	128690-49530	COVER, THERMOSTAT							1		
1-1	1	124101-49530	COVER, THERMOSTAT							1	1	S
				(E=E04946)								
2	1	129350-49540	GASKET, THERMO.							1		
2-1	1	124736-49540	GASKET, THERMO.							1	1	S
				(E=EXXX)								
3	1	121750-49800	THERMOSTAT							1	1	
4	1	127610-91350	SWITCH, THERMO							1	1	
5	1	23873-030000	PLUG PT 3/8							1		Z
				(E=EXXX)								
6	1	26106-080302	BOLT M 8X 30 PLATED							1	1	
7	1	26106-080652	BOLT M 8X 65 PLATED							1	1	

Fig.42.COOLING SEA WATER LINE(OPTIONAL)

(A)=3GM30 (D)=3GM30C  
 (B)=3GM30VE (E)=3GM30F  
 (C)=3GM30B (F)=3GM30FVE

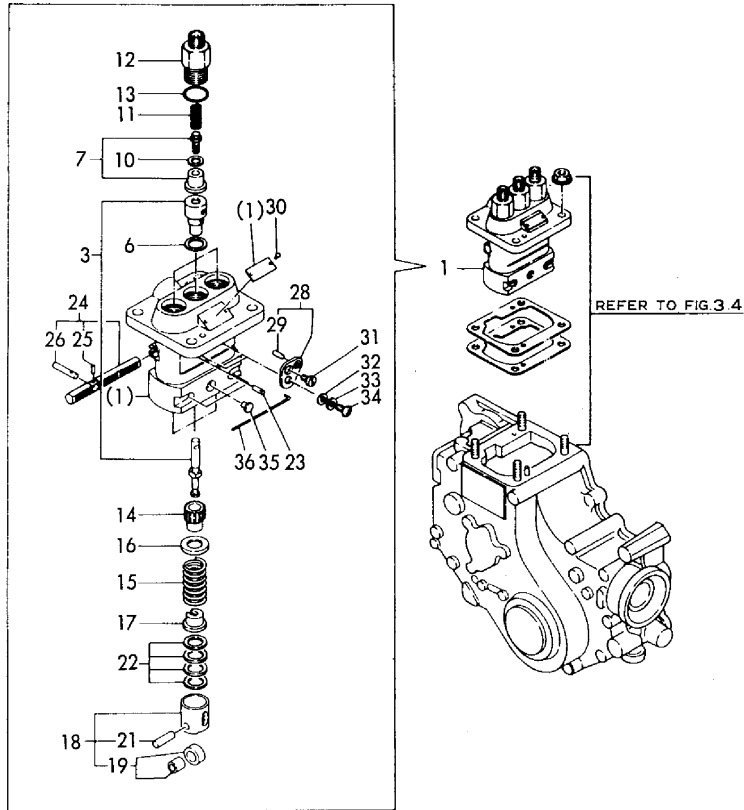
Fig.42 冷却水パイプ(海水)(オプション)  
 COOLING SEA WATER PIPE(OPTIONAL)



REF.	LEV.	PARTS NO.	DESCRIPTION	QTY						I	R	
				(A)	(B)	(C)	(D)	(E)	(F)			
1	1	128170-49080	PIPE, COOLING WATER				1					
I 1-1	1	128170-49081	PIPE, COOLING WATER (D=E00212)			2		1			N	
2	1	23000-022000	CLAMP 22						2			
I 2-1	1	23000-022000	CLAMP 22 (D=E00212)			2			1			K
3	1	23000-025000	CLAMP 25			2			1		5	
4	1	124223-49050	PIPE, COOLING WATER								2	
5	1	128291-49250	JOINT								1	
6	1	128271-49450	PROTECTOR				1					
7	1	121750-59890	RETAINER				1					

Fig.43.FUEL INJECTION PUMP

Fig.43 燃料噴射ポンプ  
FUEL INJECTION PUMP



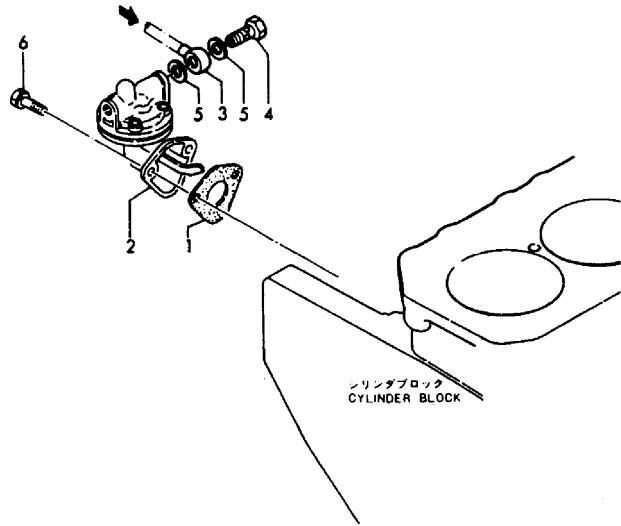
(A)=3GM30 (D)=3GM30C  
(B)=3GM30VE (E)=3GM30F  
(C)=3GM30B (F)=3GM30FVE

REF.	LEV.	PARTS NO.	DESCRIPTION	QTY						I	R
				(A)	(B)	(C)	(D)	(E)	(F)		
1	1	728374-51100	PUMP ASSY. F.INJECT.	1	1	1	1				
I	1-1	728374-51101	PUMP ASSY. F.INJECT.	1	1	1	1	1	1	1	N
		(A=E13959)	(C=E00394)	(D=E01583)	(E=E13924)						
3	2	128170-51101	PLUNGER W/BARREL	3	3	3	3	3	3	3	
6	2	124950-51270	GASKET	3	3	3	3	3	3	3	
7	2	128170-51300	VALVE W/SEAT, DELIV.	3		3	3	3			
I	7-1	2	105500-51300	VALVE W/SEAT, DELIV.	3	3	3	3	3	3	N
		(A=E13959)	(C=E00394)	(D=E01583)	(E=E13924)						
10	2	124550-51350	GASKET, DELIVERY	3	3	3	3	3	3	3	
11	2	124550-51320	SPRING, DELIV. VALVE	3	3	3	3	3	3	3	
12	2	124550-51341	RETAINER	3	3	3	3	3	3	3	
13	2	124550-51370	O-RING, DELIVERY	3	3	3	3	3	3	3	
14	2	124950-51510	PINION	3	3	3	3	3	3	3	
15	2	124950-51190	SPRING, PLUNGER	3	3	3	3	3	3	3	
16	2	174307-51170	RETAINER A	3	3	3	3	3	3	3	
17	2	174307-51181	RETAINER B	3	3	3	3	3	3	3	
18	2	124550-51200	TAPPET	3	3	3	3	3	3	3	
19	3	111100-51220	ROLLER	3	3	3	3	3	3	3	
21	3	174100-54120	PIN, ROLLER	3	3	3	3	3	3	3	
22	2	174307-51700	SHIM SET	3	3	3	3	3	3	3	
23	2	103854-51251	PIN, PLUNGER	1	1	1	1	1	1	1	
24	2	121450-51500	RACK, CONTROL	1	1	1	1	1	1	1	
25	3	121450-51550	PIN	1	1	1	1	1	1	1	
26	3	124550-51590	LOCKER	1	1	1	1	1	1	1	
28	2	124950-51640	SHIM SET, CONTROL	2	2	2	2	2	2	2	
29	3	124950-51670	PIN	2	2	2	2	2	2	2	
30	2	124220-51890	RIVET, LABEL	2	2	2	2	2	2	2	
31	2	103854-51660	SCREW	2	2	2	2	2	2	2	
I	32	2	22117-050000	WASHER 5	2	2	2	2	2	2	Z
		(A=E0000)	(C=E0000)	(D=E0000)	(E=E0000)						
I	33	2	22217-050000	SPRING WASHER 5	2	2	2	2	2	2	Z
		(A=E0000)	(C=E0000)	(D=E0000)	(E=E0000)						
34	2	26587-050102	SCREW M 5X 10	2	2	2	2	2	2	2	
I	34-1	2	26033-050102	SCREW M 5X 10	2	2	2	2	2	2	N
		(A=E0000)	(C=E0000)	(D=E0000)	(E=E0000)						
35	2	124950-51450	PIECE, GUIDE	3	3	3	3	3	3	3	
36	2	121150-51460	PIN	1	1	1	1	1	1	1	

Fig.44.FUEL FEED PUMP

(A)=3GM30 (D)=3GM30C  
 (B)=3GM30VE (E)=3GM30F  
 (C)=3GM30B (F)=3GM30FVE

Fig. **44** 燃料フィードポンプ  
 FUEL FEED PUMP

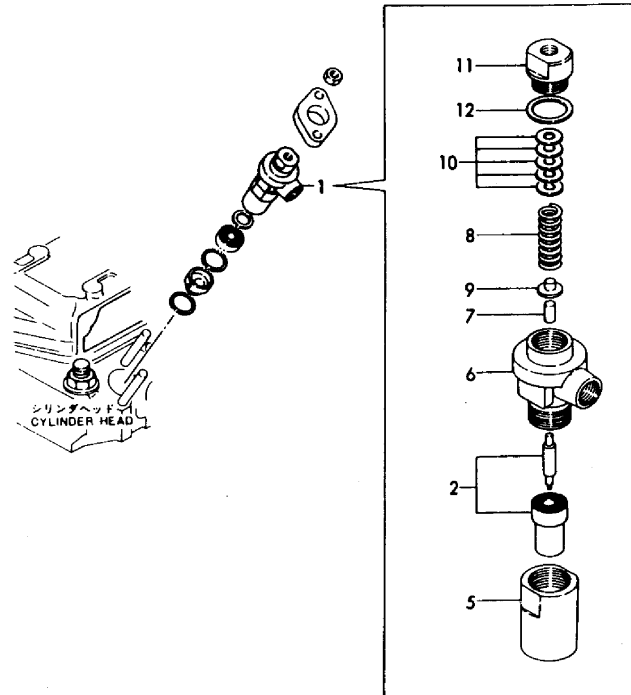


REF.	LEV.	PARTS NO.	DESCRIPTION	QTY						I	R	
				(A)	(B)	(C)	(D)	(E)	(F)			
1	1	121520-01850	GASKET, F.FEED PUMP	1			1	1				
1-1	1	121520-01851	GASKET, (NON-ASB.)	1	1	1	1	1	1	1	N	
		(A=E10103)	(C=E00309)	(D=E01060)	(E=E10104)							
2	1	129301-52020	PUMP ASSY, FUEL FEED	1	1	1	1	1	1	1		
3	1	104264-59030	JOINT 8, PIPE	1	1	1	1	1	1	1		
4	1	105582-59150	BOLT, PIPE JOINT	1	1	1	1	1	1	1		
5	1	23414-080000	GASKET 8, ROUND	2	2	2	2	2	2	2		
6	1	26013-060162	BOLT M 6X 16	2	2	2	2	2	2	2		

(A)=3GM30 (D)=3GM30C  
 (B)=3GM30VE (E)=3GM30F  
 (C)=3GM30B (F)=3GM30FVE

Fig.45.FUEL INJECTION VALVE

Fig. **45** 燃料噴射弁  
 FUEL INJECTION VALVE

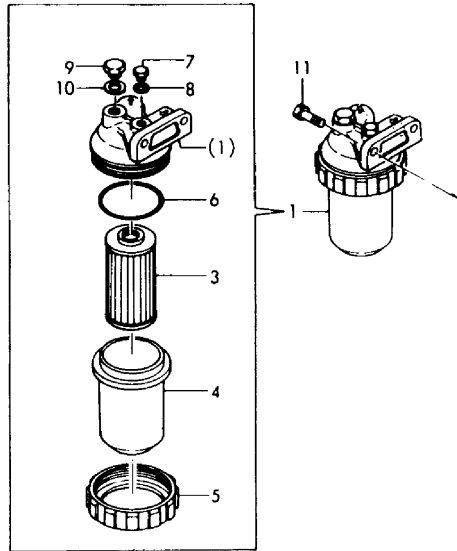


REF.	LEV.	PARTS NO.	DESCRIPTION	QTY						I	R
				(A)	(B)	(C)	(D)	(E)	(F)		
1	1	728170-53100	VALVE ASSY, F.INJECT	3	3	3	3	3	3		
2	2	124770-53000	NOZZLE ASSY,F.INJECT	3	3	3	3	3	3		
5	2	128170-53080	HOLDER, VALVE W/CASE	3	3	3	3	3	3		
6	2	103854-53100	BODY, F.I. VALVE	3	3	3	3	3	3		
7	2	113200-53110	SPINDLE, INTER	3	3	3	3	3	3		
8	2	104211-53120	SPRING, NOZZLE	3	3	3	3	3	3		
9	2	113200-53120	SHOE, SPRING	3	3	3	3	3	3		
10	2	110250-53150	SHIM SET	3	3	3	3	3	3		
11	2	103854-53180	RETAINER, NOZ.SPRING	3	3	3	3	3	3		
12	2	172100-53200	GASKET	3	3	3	3	3	3		

Fig.46.FUEL STRAINER

(A)=3GM30 (D)=3GM30C  
 (B)=3GM30VE (E)=3GM30F  
 (C)=3GM30B (F)=3GM30FVE

Fig. **46** 燃料フィルタ  
 FUEL STRAINER

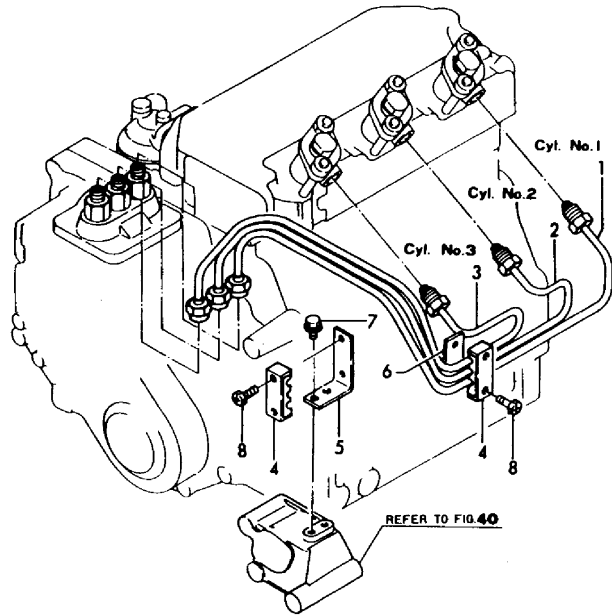


REF.	LEV.	PARTS NO.	DESCRIPTION	QTY						I	R
				(A)	(B)	(C)	(D)	(E)	(F)		
1	1	124790-55601	STRAINER ASSY, FUEL	1	1	1	1	1	1		
3	2	104500-55710	ELEMENT, FUEL	1	1	1	1	1	1		
4	2	121370-55730	CUP, STRAINER	1	1	1	1	1	1		
5	2	110250-55610	RING, RETAINING	1	1	1	1	1	1		
6	2	24341-000440	O-RING 1A S-44.0	1	1	1	1	1	1		
7	2	101720-55750	PLUG 6	1	1	1	1	1	1		
8	2	23418-060000	GASKET 6, NYLON	1	1	1	1	1	1		
9	2	135210-51900	PLUG	1	1	1	1	1	1		
10	2	23414-080012	GASKET 8	1	1	1	1	1	1		
11	1	26013-060162	BOLT M 6X 16	2	2	2	2	2	2		

Fig.47.FUEL INJECTION LINE

(A)=3GM30 (D)=3GM30C  
 (B)=3GM30VE (E)=3GM30F  
 (C)=3GM30B (F)=3GM30FVE

**Fig.47** 燃料噴射パイプ  
 FUEL INJECTION PIPE



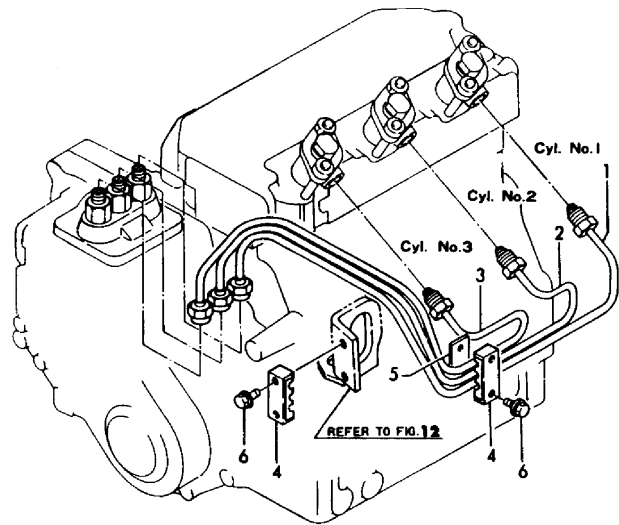
REF.	LEV.	PARTS NO.	DESCRIPTION	Q'TY						I	R	
				(A)	(B)	(C)	(D)	(E)	(F)			
I	1	1	128370-59810	PIPE (A), F. INJECT.								
I	2	1	128370-59820	PIPE (B), F. INJECT.								
I	3	1	128370-59830	PIPE (C), F. INJECT.								
	4	1	123372-59100	CLAMP		2	2	2	2			
I	5	1	121450-59850	BRACKET (A)								
	6	1	121250-59860	RETAINER (B)		1	1	1	1			
I	7	1	26106-060122	BOLT M 6X 12 PLATED								
I	8	1	121465-59950	BOLT M 6X 16, PLATED								



(A)=3GM30 (D)=3GM30C  
 (B)=3GM30VE (E)=3GM30F  
 (C)=3GM30B (F)=3GM30FVE

Fig.48.FUEL INJECTION LINE

**Fig.48** 燃料噴射パイプ  
 FUEL INJECTION PIPE



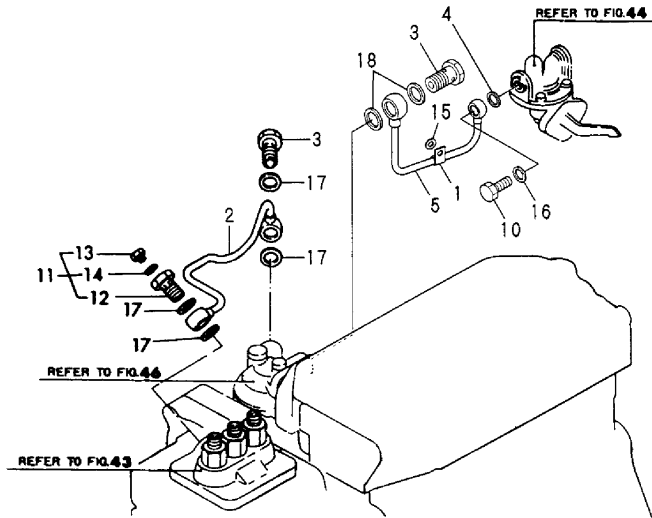
REF.	LEV.	PARTS NO.	DESCRIPTION	QTY						I	R	
				(A)	(B)	(C)	(D)	(E)	(F)			
I	1	128390-59810	PIPE (1), F. INJECT.									
I	2	128390-59820	PIPE (2), F. INJECT.									
I	3	128390-59830	PIPE (3), F. INJECT.									
	4	123372-59100	CLAMP						2	2		
	5	121250-59860	RETAINER (B)						1	1		
	6	26106-060162	BOLT M 6X 16 PLATED						4	4		

Fig.49.FUEL LINE

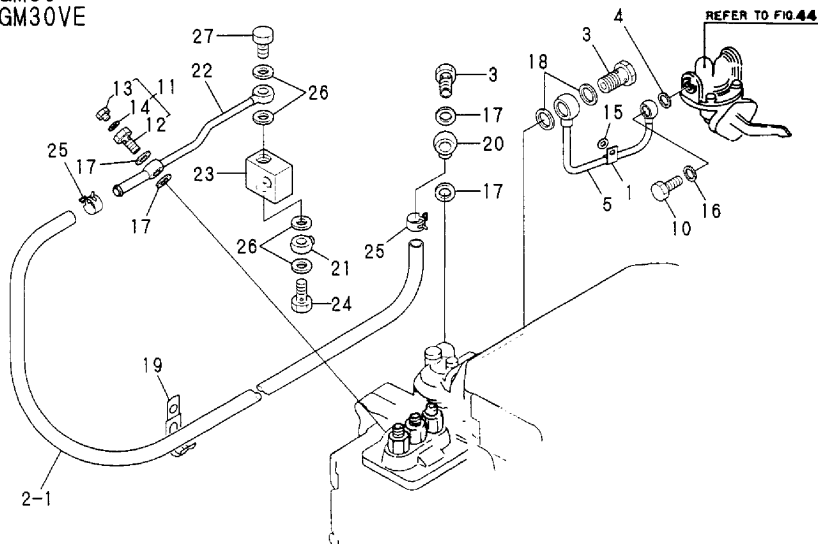
(A)=3GM30 (D)=3GM30C  
 (B)=3GM30VE (E)=3GM30F  
 (C)=3GM30B (F)=3GM30FVE

P/C NEWS No:Y00F5062-2  
 PUBLISHED:2000/11

Fig.49 燃料パイプ  
 FUEL PIPE



3GM30  
 3GM30VE

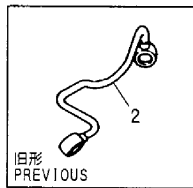
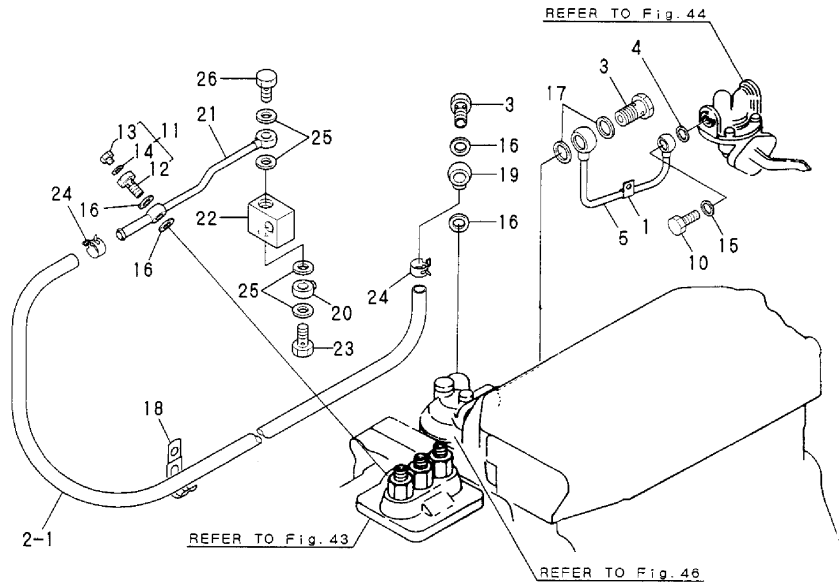


REF.	LEV.	PARTS NO.	DESCRIPTION	QTY						I	R
				(A)	(B)	(C)	(D)	(E)	(F)		
1	1	124450-39240	RETAINER, PIPE	1	1	1	1				
2	1	128370-59010	PIPE (A) ASSY, FUEL	1	1	1	1				
I	2-1	119173-59120	PIPE	1	1						S
		(A=*1997.01) (B=*1997.01)									
3	1	23857-060000	JOINT BOLT 6	2	2	2	2				
4	1	104884-59170	GASKET	1	1	1	1				
5	1	128370-59081	PIPE, FUEL OIL (B)	1	1	1	1				
10	1	105582-59150	BOLT, PIPE JOINT	1	1	1	1				
11	1	103854-59191	BOLT W/PLUG & SEAL	1	1	1	1				
12	2	103854-59201	BOLT, JOINT	1	1	1	1				
13	2	124060-59380	PLUG	1	1	1	1				
14	2	22190-060002	SEAL WASHER 6S	1	1	1	1				
I	15	22117-080000	WASHER 8	1	1	1	1				Z
		(A=*1997.01) (B=*1997.01) (C=*1997.01) (D=*1997.01)									
16	1	23414-080000	GASKET 8, ROUND	1	1	1	1				
I	16-1	22190-080002	SEAL WASHER 8S	1	1	1	1				N
		(A=*2000.03) (B=*2000.03) (C=*2000.03) (D=*2000.03)									
17	1	23414-120000	GASKET 12, ROUND	4	4	4	4				
I	17-1	22190-120002	SEAL WASHER 12	4	4	4	4				N
		(A=*2000.03) (B=*2000.03) (C=*2000.03) (D=*2000.03)									
18	1	23414-120000	GASKET 12, ROUND	2	2	2	2				
I	18-1	22190-120002	SEAL WASHER 12	2	2	2	2				N
		(A=*2000.03) (B=*2000.03) (C=*2000.03) (D=*2000.03)									
I	19	194440-51620	CLAMP, WIRE HARNESS	1	1						W
		(A=*1997.01) (B=*1997.01)									
I	20	104264-59020	JOINT 12, PIPE	1	1						W
		(A=*1997.01) (B=*1997.01)									
I	21	104264-59020	JOINT 12, PIPE	1	1						W
		(A=*1997.01) (B=*1997.01)									
I	22	128377-59550	PIPE,FUEL OIL CMP	1	1						W
		(A=*1997.01) (B=*1997.01)									
I	23	128296-59900	JOINT	1	1						W
		(A=*1997.01) (B=*1997.01)									
I	24	128296-59940	VALVE, CHECK	1	1						W
		(A=*1997.01) (B=*1997.01)									
I	25	23000-016000	CLAMP 16	2	2						W
		(A=*1997.01) (B=*1997.01)									
I	26	22190-120002	SEAL WASHER 12	4	4						W
		(A=*1997.01) (B=*1997.01)									
I	27	23857-060000	JOINT BOLT 6	1	1						W
		(A=*1997.01) (B=*1997.01)									

Fig.50.FUEL LINE(3GM30F/FVE)

P/C NEWS No:Y00F5062-2  
PUBLISHED:2000/11

Fig. 50 燃料パイプ (3GM30F/FVE)  
FUEL PIPE (3GM30F/FVE)



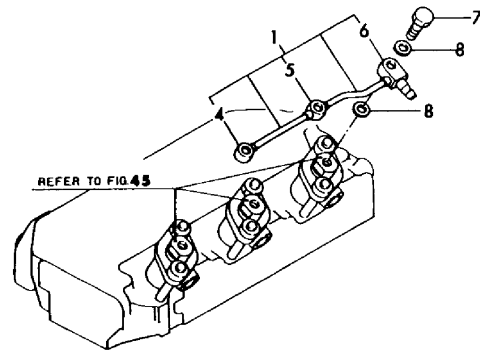
(A)=3GM30 (D)=3GM30C  
(B)=3GM30VE (E)=3GM30F  
(C)=3GM30B (F)=3GM30FVE

REF.	LEV.	PARTS NO.	DESCRIPTION	QTY						I	R		
				(A)	(B)	(C)	(D)	(E)	(F)				
1	1	124450-39240	RETAINER, PIPE							1	1		
2	1	128390-59010	PIPE (A) ASSY, FUEL							1	1		
I	2-1	119173-59120	PIPE							1	1	S	
								(E=*1997.01)		(F=*1997.01)			
3	1	23857-060000	JOINT BOLT 6							2	2		
4	1	104884-59170	GASKET							1	1		
5	1	128370-59081	PIPE, FUEL OIL (B)							1	1		
10	1	105582-59150	BOLT, PIPE JOINT							1	1		
11	1	103854-59191	BOLT W/PLUG & SEAL							1	1		
12	2	103854-59201	BOLT, JOINT							1	1		
13	2	124060-59380	PLUG							1	1		
14	2	22190-060002	SEAL WASHER 6S							1	1		
15	1	23414-080000	GASKET 8, ROUND							1	1		
I	15-1	22190-080002	SEAL WASHER 8S							1	1	N	
								(E=*2000.03)		(F=*2000.03)			
16	1	23414-120000	GASKET 12, ROUND							4	4		
I	16-1	22190-120002	SEAL WASHER 12							4	4	N	
								(E=*2000.03)		(F=*2000.03)			
17	1	23414-120000	GASKET 12, ROUND							2	2		
I	17-1	22190-120002	SEAL WASHER 12							2	2	N	
								(E=*2000.03)		(F=*2000.03)			
I	18	194440-51620	CLAMP, WIRE HARNESS							1	1	W	
								(E=*1997.01)		(F=*1997.01)			
I	19	104264-59020	JOINT 12, PIPE							1	1	W	
								(E=*1997.01)		(F=*1997.01)			
I	20	104264-59020	JOINT 12, PIPE							1	1	W	
								(E=*1997.01)		(F=*1997.01)			
I	21	128377-59550	PIPE,FUEL OIL CMP							1	1	W	
								(E=*1997.01)		(F=*1997.01)			
I	22	128296-59900	JOINT							1	1	W	
								(E=*1997.01)		(F=*1997.01)			
I	23	128296-59940	VALVE, CHECK							1	1	W	
								(E=*1997.01)		(F=*1997.01)			
I	24	23000-016000	CLAMP 16							2	2	W	
								(E=*1997.01)		(F=*1997.01)			
I	25	22190-120002	SEAL WASHER 12							4	4	W	
								(E=*1997.01)		(F=*1997.01)			
I	26	23857-060000	JOINT BOLT 6							1	1	W	
								(E=*1997.01)		(F=*1997.01)			

Fig.51.FUEL RETURN LINE

(A)=3GM30 (D)=3GM30C  
 (B)=3GM30VE (E)=3GM30F  
 (C)=3GM30B (F)=3GM30FVE

Fig.51 燃料戻しパイプ  
 FUEL RETURN PIPE

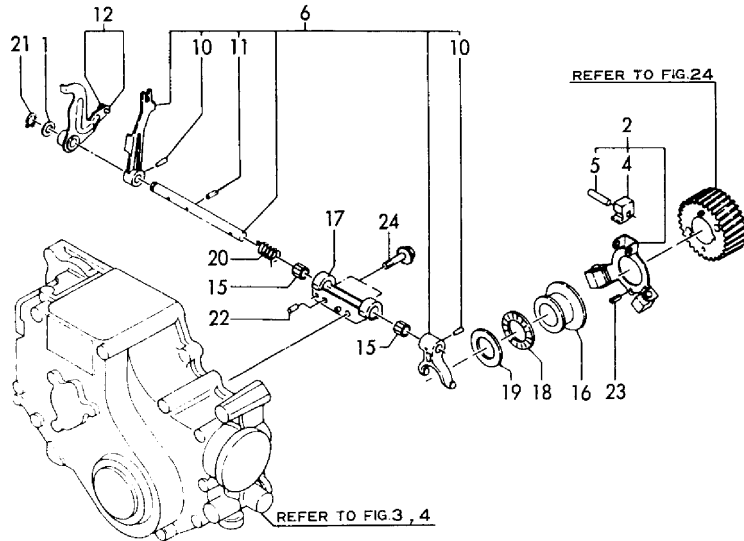


REF.	LEV.	PARTS NO.	DESCRIPTION	QTY						I	R
				(A)	(B)	(C)	(D)	(E)	(F)		
1	1	128370-59500	PIPE, FUEL RETURN	1	1	1	1	1	1		
4	2	103288-39170	JOINT 8	1	1	1	1	1	1		
5	2	124450-39180	JOINT	1	1	1	1	1	1		
6	2	124790-59530	JOINT	1	1	1	1	1	1		
7	1	101147-59810	BOLT 8, PIPE JOINT	3	3	3	3	3	3		
8	1	23414-080000	GASKET 8, ROUND	6	6	6	6	6	6		

(A)=3GM30 (D)=3GM30C  
 (B)=3GM30VE (E)=3GM30F  
 (C)=3GM30B (F)=3GM30FVE

Fig.52.GOVERNOR DRIVING

Fig. 52 ガバナ駆動  
 GOVERNOR EQUIPMENT

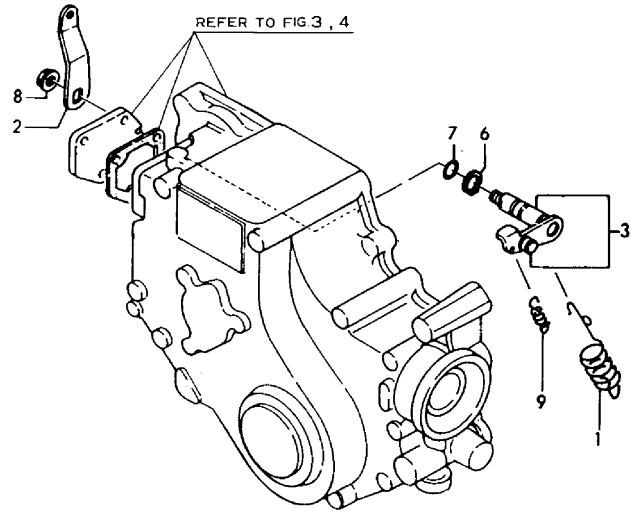


REF.	LEV.	PARTS NO.	DESCRIPTION	QTY						I	R
				(A)	(B)	(C)	(D)	(E)	(F)		
1	1	104211-42130	SPACER	1	1	1	1	1	1		
2	1	171016-61100	WEIGHT, GOVERNOR	1		1	1	1			
2-1	1	771016-61620	WEIGHT, GOVERNOR	1	1	1	1	1	1	1	N
		(A=*1982.07)	(C=*1982.07)	(D=*1982.07)	(E=*1982.07)						
I 4	2	104200-61200	WEIGHT, GOVERNOR								
5	2	121575-61220	PIN, GOVERNOR WEIGHT	3	3	3	3	3	3		
6	1	721500-61560	LEVER ASSY, GOVERNOR	1	1	1	1	1	1	1	
10	2	22322-030200	TAPER PIN 3X20	2	2	2	2	2	2	2	
11	2	22351-030012	SPRING PIN 3X12	1	1	1	1	1	1	1	
12	1	121575-61160	LEVER ASSY, CONTROL	1		1	1	1			
I 12-1	1	121575-61161	LEVER ASSY, CONTROL	1	1	1	1	1	1	1	N
		(A=E14187)	(C=E00396)	(D=E01638)	(E=E14136)						
15	1	122410-61650	BEARING, NEEDLE	2	2	2	2	2	2	2	
16	1	121000-61600	SLEEVE, GOVERNOR	1	1	1	1	1	1	1	
17	1	121575-61620	SUPPORT	1	1	1	1	1	1	1	
18	1	121575-61710	NEEDLE BEARING	1	1	1	1	1	1	1	
19	1	121575-61720	COLLAR, BEARING	1	1	1	1	1	1	1	
20	1	121575-66310	SPRING, STARTING	1	1	1	1	1	1	1	
21	1	22242-000100	CIRCLIP 10	1	1	1	1	1	1	1	
22	1	22312-040080	PIN 4X8, STRAIGHT	2	2	2	2	2	2	2	
23	1	22351-040008	SPRING PIN 4X 8	2	2	2	2	2	2	2	
24	1	26106-060282	BOLT M 6X 28 PLATED	2	2	2	2	2	2	2	

Fig.53.CONTROL DEVICE

(A)=3GM30 (D)=3GM30C  
 (B)=3GM30VE (E)=3GM30F  
 (C)=3GM30B (F)=3GM30FVE

Fig.53 操縦装置  
 CONTROL DEVICE

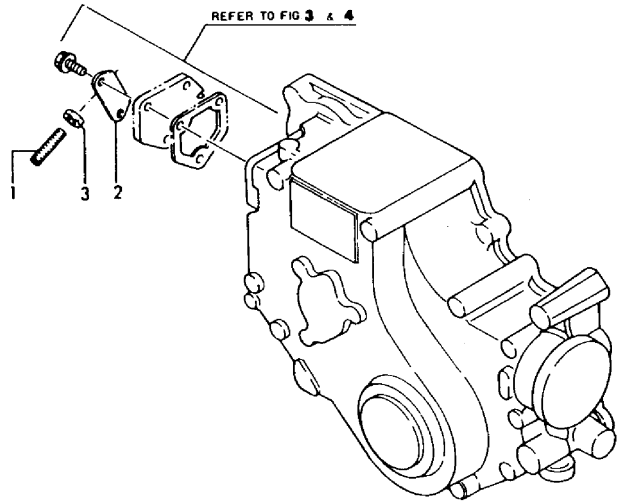


REF.	LEV.	PARTS NO.	DESCRIPTION	QTY						I	R
				(A)	(B)	(C)	(D)	(E)	(F)		
1	1	128270-66010	SPRING, REGULATOR	1	1	1	1	1	1		
2	1	121575-66051	HANDLE, REGULATOR	1	1	1	1	1	1		
3	1	121000-66090	LEVER ASSY, REGULAT	1	1	1	1	1	1		
6	1	22242-000120	CIRCLIP 12	1	1	1	1	1	1		
7	1	24311-000090	O-RING 1A P-9.0	1	1	1	1	1	1		
8	1	26366-080002	NUT M 8	1	1	1	1	1	1		
9	1	121575-66200	SPRING, REGULATOR	1	1	1	1	1	1		

(A)=3GM30 (D)=3GM30C  
 (B)=3GM30VE (E)=3GM30F  
 (C)=3GM30B (F)=3GM30FVE

Fig.54.IDLE ADJUSTER

Fig. **54** アイドルアジャスタ  
 IDLE ADJUSTER

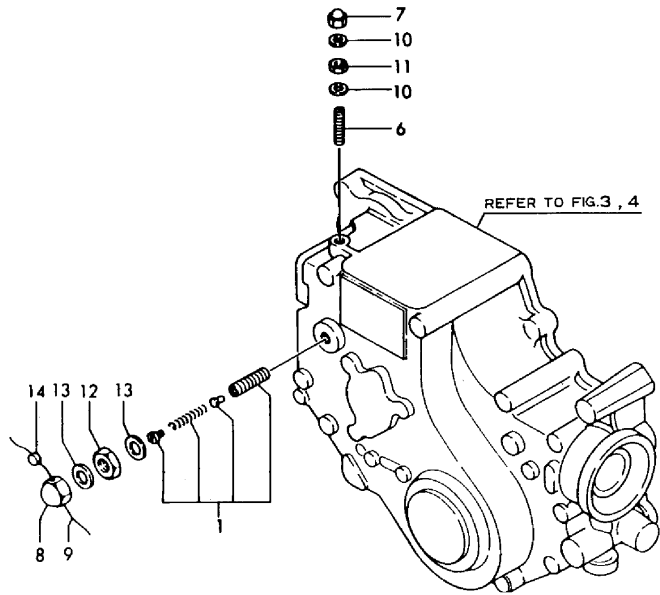


REF.	LEV.	PARTS NO.	DESCRIPTION	QTY						I	R
				(A)	(B)	(C)	(D)	(E)	(F)		
1	1	121575-66800	SCREW, ADJUST	1	1	1	1	1	1		
2	1	121575-66850	RETAINER	1	1	1	1	1	1		
3	1	26756-060002	LOCK NUT 6	1	1	1	1	1	1		

(A)=3GM30 (D)=3GM30C  
 (B)=3GM30VE (E)=3GM30F  
 (C)=3GM30B (F)=3GM30FVE

Fig.55.FUEL CONTROL DEVICE

Fig. **55** 燃料制限装置  
 FUEL CONTROL DEVICE



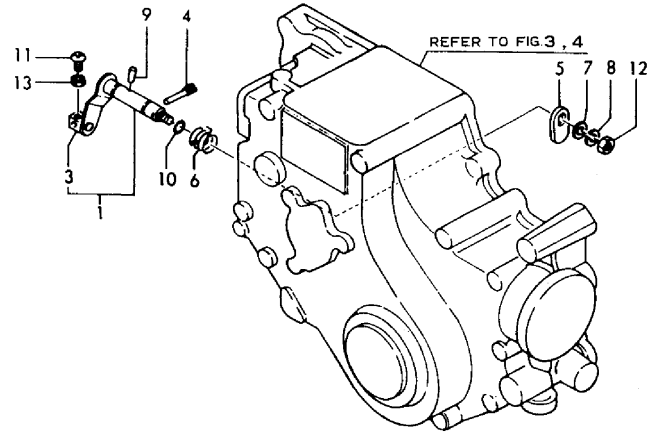
REF.	LEV.	PARTS NO.	DESCRIPTION	QTY						I	R
				(A)	(B)	(C)	(D)	(E)	(F)		
1	1	128270-66550	CONTROLLER ASSY	1	1	1	1	1	1		
6	1	121575-66800	SCREW, ADJUST	1	1	1	1	1	1		
7	1	128170-66870	CAP NUT M 6	1	1	1	1	1	1		
8	1	128170-66880	CAP NUT M12	1	1	1	1	1	1		
9	1	22451-100000	WIRE 1.0	1	1	1	1	1	1		
10	1	23414-060000	GASKET 6, ROUND	2	2	2	2	2	2		
11	1	26756-060002	LOCK NUT 6	1	1	1	1	1	1		
12	1	128170-66890	LOCK NUT M12	1	1	1	1	1	1		
13	1	43400-500450	SEAL WASHER 12S	2	2	2	2	2	2		
14	1	135210-61090	LEAD	1	1	1	1	1	1		



(A)=3GM30 (D)=3GM30C  
 (B)=3GM30VE (E)=3GM30F  
 (C)=3GM30B (F)=3GM30FVE

Fig.56.ENGINE STOP DEVICE

Fig.56 機関停止装置  
 ENGINE STOP DEVICE

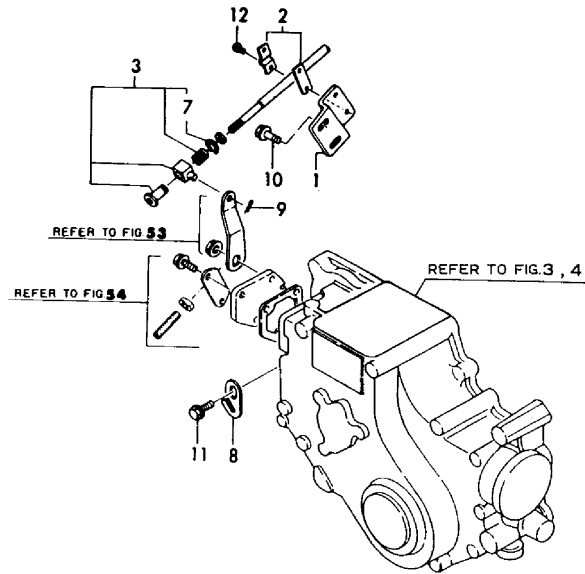


REF.	LEV.	PARTS NO.	DESCRIPTION	QTY						I	R
				(A)	(B)	(C)	(D)	(E)	(F)		
1	1	121575-66510	LEVER ASSY, ENG,STOP	1	1	1	1				
3	2	104211-03770	PLATE	1	1	1	1				
4	1	124250-03640	SCREW, STOP	1	1	1	1				
5	1	121575-66550	CAM	1	1	1	1				
6	1	121575-66580	SPRING, RETURN	1	1	1	1				
7	1	22117-060000	WASHER 6	1	1	1	1				
8	1	22217-060000	SPRING WASHER 6	1	1	1	1				
9	1	22322-030160	TAPER PIN 3X16	1	1	1	1				
10	1	24311-000070	O-RING 1A P-7.0	1	1	1	1				
11	1	26557-050122	SCREW M 5X 12	1	1	1	1				
12	1	26716-060002	NUT 6	1	1	1	1				
13	1	26756-050002	LOCK NUT M 5 PLATED	1	1	1	1				

(A)=3GM30 (D)=3GM30C  
 (B)=3GM30VE (E)=3GM30F  
 (C)=3GM30B (F)=3GM30FVE

Fig.57.SPEED REMOTE CONTROL

Fig. 57 スピードリモコン  
 SPEED REMOTE CONTROL



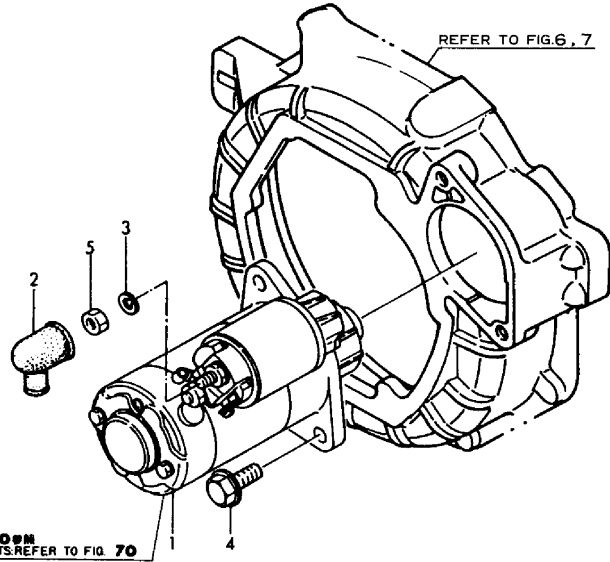
REF.	LEV.	PARTS NO.	DESCRIPTION	QTY						I	R
				(A)	(B)	(C)	(D)	(E)	(F)		
1	1	105311-67100	BRACKET, CABLE	1	1	1	1	1	1		
2	1	41710-000410	CLAMP	1	1	1	1	1	1		
3	1	105311-67200	RETAINER, JOINT	1	1	1	1	1	1		
7	2	22242-000100	CIRCLIP 10	1	1	1	1	1	1		
8	1	121575-67580	BRACKET, CABLE	1		1	1	1	1		
I	8-1	121575-67581	BRACKET, CABLE	1	1	1	1	1	1	1	N
		(A=E14020)	(C=E00396)	(D=E01583)	(E=E14015)						
9	1	22414-250150	COTTER PIN 2.5X15	1		1	1	1	1		
I	9-1	22360-080000	SNAP PIN 8	1	1	1	1	1	1	1	N
		(A=E09572)	(C=E00292)	(D=E01006)	(E=E09571)						
10	1	26106-060102	BOLT M 6X 10 PLATED	2	2	2	2	2	2		
11	1	26106-060122	BOLT M 6X 12 PLATED	1	1	1	1	1	1		
12	1	26557-050122	SCREW M 5X 12	2	2	2	2	2	2		



(A)=3GM30 (D)=3GM30C  
 (B)=3GM30VE (E)=3GM30F  
 (C)=3GM30B (F)=3GM30FVE

Fig.59.STARTING MOTOR

Fig. **59** スターティングモータ  
 STARTING MOTOR

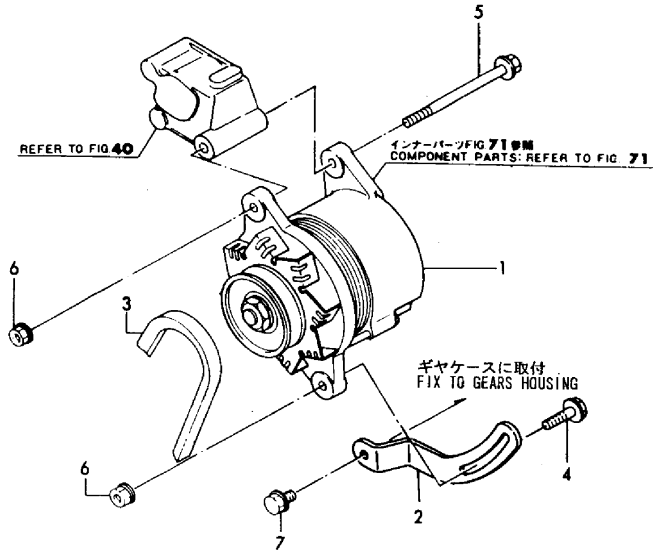


REF.	LEV.	PARTS NO.	DESCRIPTION	QTY						I	R
				(A)	(B)	(C)	(D)	(E)	(F)		
1	1	128170-77010	STARTER	1	1	1	1	1	1		
2	1	124550-77030	COVER, TERMINAL	1	1	1	1	1	1		
3	1	22217-080000	SPRING WASHER 8	1	1	1	1	1	1		
4	1	26106-100302	BOLT M10X 30 PLATED	2	2	2	2	2	2		
5	1	26756-080002	LOCK NUT M 8 PLATED	1	1	1	1	1	1		

Fig.60.GENERATOR

(A)=3GM30 (D)=3GM30C  
 (B)=3GM30VE (E)=3GM30F  
 (C)=3GM30B (F)=3GM30FVE

Fig.60 ジェネレータ  
 GENERATOR

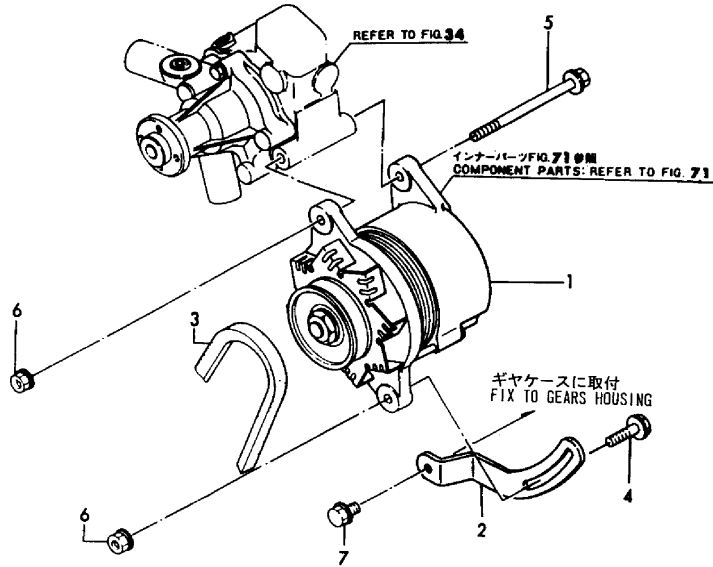


REF.	LEV.	PARTS NO.	DESCRIPTION	QTY						I	R
				(A)	(B)	(C)	(D)	(E)	(F)		
1	1	129772-77200	GENERATOR(12V-55A)	1	1	1	1				
2	1	128271-77330	ADJUSTER, BELT	1	1	1	1				
3	1	128670-77350	V-BELT (A-31)	1	1	1	1				
4	1	26106-080302	BOLT M 8X 30 PLATED	1	1	1	1				
5	1	128271-77340	BOLT M 8X120	1	1	1	1				
6	1	26366-080002	NUT M 8	2	2	2	2				
7	1	26106-100162	BOLT M10X 16 PLATED	1	1	1	1				Z
		(A=EXXX)	(C=EXXX)	(D=EXXX)							

Fig.61.GENERATOR

(A)=3GM30 (D)=3GM30C  
 (B)=3GM30VE (E)=3GM30F  
 (C)=3GM30B (F)=3GM30FVE

Fig.61 ジェネレータ  
 GENERATOR



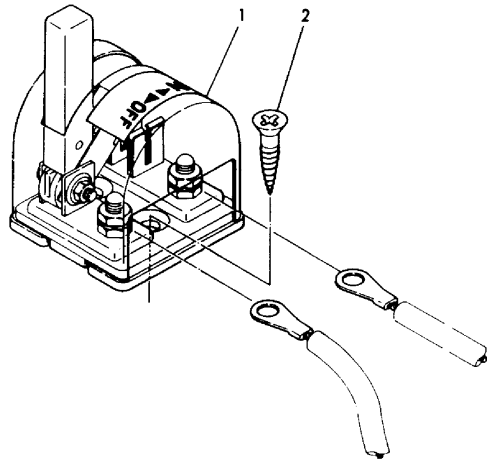
REF.	LEV.	PARTS NO.	DESCRIPTION	QTY						I	R		
				(A)	(B)	(C)	(D)	(E)	(F)				
1	1	129772-77200	GENERATOR(12V-55A)							1	1		
2	1	128271-77330	ADJUSTER, BELT							1	1		
3	1	124732-42290	V-BELT (A-37)							1	1		
4	1	26106-080302	BOLT M 8X 30 PLATED							1	1		
5	1	128271-77340	BOLT M 8X120							1	1		
6	1	26366-080002	NUT M 8							2	2		
7	1	26106-100162	BOLT M10X 16 PLATED							1		Z	

(E=EXXX)

Fig.62.BATTERY SWITCH

(A)=3GM30 (D)=3GM30C  
 (B)=3GM30VE (E)=3GM30F  
 (C)=3GM30B (F)=3GM30FVE

Fig. **62** バッテリスイッチ  
 BATTERY SWITCH



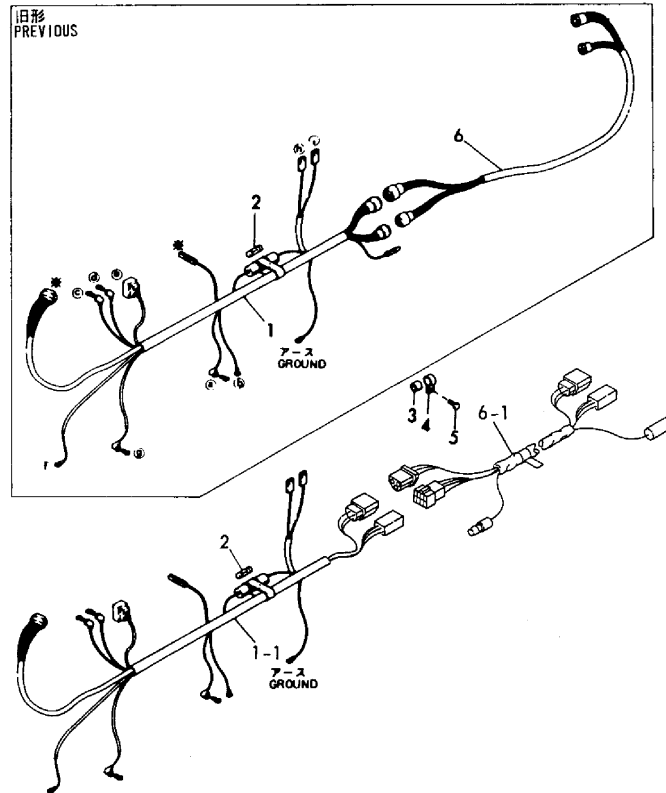
REF.	LEV.	PARTS NO.	DESCRIPTION	QTY						I	R
				(A)	(B)	(C)	(D)	(E)	(F)		
1	1	123310-77640	SWITCH, BATTERY	1	1	1	1	1	1	1	1
2	1	22724-800380	SCREW 8X 38	2	2	2	2	2	2	2	1

Remarks  
 1)OPTIONAL FOR 3GM30,3GM30VE,3GM30C,  
 3GM30F & 3GM30FVE

Fig.63.WIRE HARNESS

(A)=3GM30 (D)=3GM30C  
 (B)=3GM30VE (E)=3GM30F  
 (C)=3GM30B (F)=3GM30FVE

Fig. **63** ワイヤハーネス  
 WIRE HARNESS



REF.	LEV.	PARTS NO.	DESCRIPTION	QTY						I	R
				(A)	(B)	(C)	(D)	(E)	(F)		
1	1	128270-77921	HARNESS, WIRE	1		1	1	1			
I	1-1	128271-77920 (A=E14020)	HARNESS, WIRE (C=E00396) (D=E01583)	1		1	1	1			S
I	1-2	128271-77921 (A=E14187)	HARNESS, WIRE (C=E00396) (D=E01643)	1	1	1	1	1	1	1	N
2	2	46150-003680	FUSE 30A	1	1	1	1	1	1	1	
3	1	124770-77940	PROTECTOR	1	1	1	1	1	1	1	
4	1	124070-77950	CLAMP	1	1	1	1	1	1	1	
5	1	26106-080142	BOLT M 8X 14 PLATED	1	1	1	1	1	1	1	
6	1	128170-77500	HARNESS, WIRE	1		1	1	1			
I	6-1	128391-77700 (A=E14020)	HARNESS, WIRE(3M) (C=E00396) (D=E01583)	1	1	1	1	1	1	1	S



(A)=3GM30 (D)=3GM30C  
 (B)=3GM30VE (E)=3GM30F  
 (C)=3GM30B (F)=3GM30FVE

Fig.64.CLUTCH

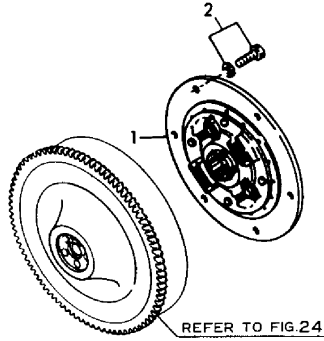
Fig64 クラッチ

この項目はイラスト表現していません。

REF.	LEV.	PARTS NO.	DESCRIPTION	QTY						I	R
				(A)	(B)	(C)	(D)	(E)	(F)		
1	1	128371-81010	CLUTCH KM3A I=2.36	1	1			1			
I 1-1	1	128374-81110	CLUTCH KM3P I=2.36 (A=E01888) (C=E00146)	1	1			1			N
2	1	128371-81020	CLUTCH KM3A I=2.61	1	1			1			
I 2-1	1	128374-81120	CLUTCH KM3P I=2.61 (A=E01888) (C=E00146)	1	1			1			N
3	1	128371-81030	CLUTCH KM3A I=3.20	1				1			
I 3-1	1	128374-81130	CLUTCH KM3P I=3.20 (A=E01888)	1				1			N
4	1	128371-81050	DISK, DAMPER	1	1			1			
I 4-1	1	177070-03501	DISK (NON-ASB.) (A=E11483) (C=E00343)	1	1	1		1	1		N
5	1	26013-080142	BOLT M 8X 14	6	6	6		6	6		
6	1	26106-080282	BOLT M 8X 28 PLATED	8		8		8			
6-1	1	26106-080502	BOLT M 8X 50 PLATED (C=E00109)			8					S
I 6-2	1	26106-080282	BOLT M 8X 28 PLATED (C=E00146)			8					S
7	1	128171-81150	SPACER (C=E00109)			1					W
I 7-1	1	128171-81150	SPACER (C=E00146)			1					Z
8	1	128374-81310	CLUTCH ASSY I=2.36	1						1	
9	1	128374-81320	CLUTCH ASSY I=2.61	1						1	
10	1	128374-81330	CLUTCH ASSY I=3.20	1						1	

Fig.65.DUMPER DISK

Fig. **65** ダンパディスク  
DUMPER DISK



Y00F5062 65.DUMPER DISK

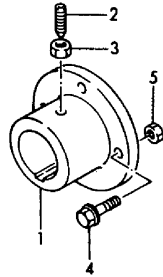
(A)=3GM30 (D)=3GM30C  
(B)=3GM30VE (E)=3GM30F  
(C)=3GM30B (F)=3GM30FVE

REF.	LEV.	PARTS NO.	DESCRIPTION	Q'TY						I	R	
				(A)	(B)	(C)	(D)	(E)	(F)			
1	1	128371-81050	DISK, DAMPER				1					
I 1-1	1	177070-03501	DISK (NON-ASB.)				1					N
			(D=E01177)									
2	1	26013-080142	BOLT M 8X 14				6					

Fig.66.TAPER COUPLING

(A)=3GM30 (D)=3GM30C  
 (B)=3GM30VE (E)=3GM30F  
 (C)=3GM30B (F)=3GM30FVE

Fig.66 テーパーカップリング  
 TAPER COUPLING



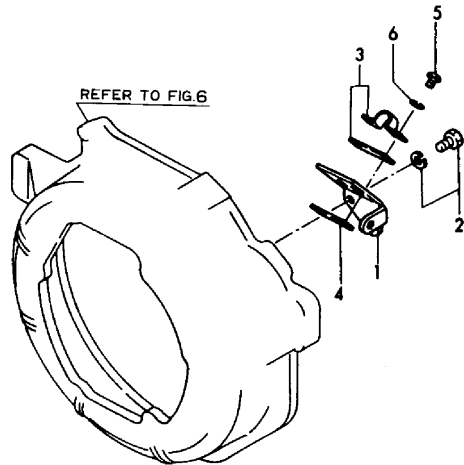
REF.	LEV.	PARTS NO.	DESCRIPTION	Q'TY						I	R
				(A)	(B)	(C)	(D)	(E)	(F)		
1	1	48110-028063	COUPLING 28, TAPER	1	1	1					1
I 1-1	1	48110-025063	COUPLING 25, TAPER (C=E00364)			1					N
2	1	48110-032411	SCREW	1	1	1					1
3	1	26756-080002	LOCK NUT M 8 PLATED	1	1	1					1
4	1	26106-100322	BOLT M10X 32 PLATED	4	4	4					1
5	1	26706-100002	NUT M10	4	4	4					1

Remarks  
 1)OPTIONAL FOR 3GM30 & 3GM30VE

(A)=3GM30 (D)=3GM30C  
 (B)=3GM30VE (E)=3GM30F  
 (C)=3GM30B (F)=3GM30FVE

Fig.67.CLUTCH REMOTE CONTROL

Fig. **67** クラッチリモコン  
 CLUTCH REMOTE CONTROL

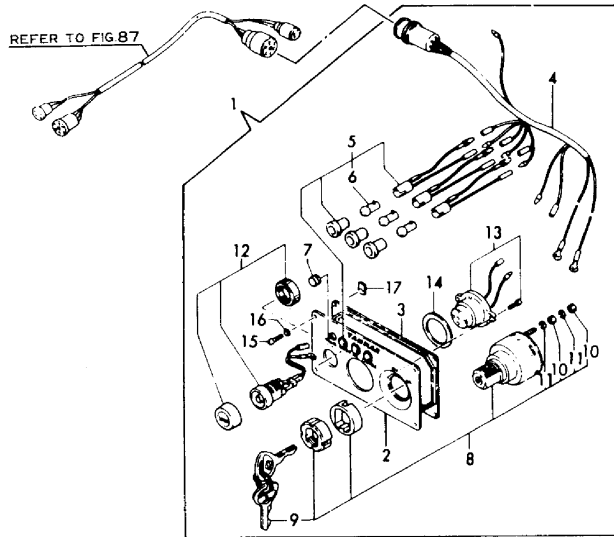


REF.	LEV.	PARTS NO.	DESCRIPTION	QTY						I	R	
				(A)	(B)	(C)	(D)	(E)	(F)			
1	1	128170-86300	BRACKET, CABLE	1	1	1			1	1		
2	1	26106-060142	BOLT M 6X 14 PLATED	2	2	2			2	2		
3	1	41710-000410	CLAMP	1	1	1			1	1		
4	1	121574-86320	RETAINER	1	1	1			1	1		
5	1	26557-050122	SCREW M 5X 12	2	2	2			2	2		
6	1	22212-050000	SPRING WASHER 5	2	2	2			2	2		

Fig.68.PANEL(A-TYPE)

(A)=3GM30 (D)=3GM30C  
 (B)=3GM30VE (E)=3GM30F  
 (C)=3GM30B (F)=3GM30FVE

Fig.68 計器盤(Aタイプ)  
 PANEL(A-TYPE)



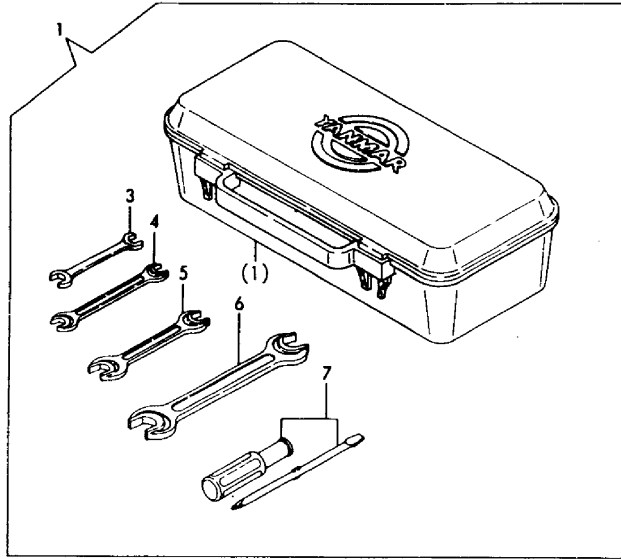
REF.	LEV.	PARTS NO.	DESCRIPTION	QTY						I	R
				(A)	(B)	(C)	(D)	(E)	(F)		
1	1	128270-91001	PANEL ASSY, INSTRUM	1	1	1		1	1		1
2	2	128270-91010	HOUSING, PANEL	1	1	1		1	1		
3	2	128270-91020	PACKING	1	1	1		1	1		
4	2	128270-91031	HARNESS, WIRE	1	1	1		1	1		
5	2	128270-91040	LAMP, PILOT	3	3	3		3	3		
6	3	46150-001110	BULB(12V3W/G11.BA9S)	3	3	3		3	3		
7	2	128270-91230	COVER	1	1	1		1	1		
8	2	124070-91250	SWITCH W/KEY	1	1	1		1	1		
9	3	124070-91290	KEY, SWITCH	1	1	1		1	1		
10	3	26716-050002	NUT M 5	4	4	4		4	4		
11	3	22217-050000	SPRING WASHER 5	4	4	4		4	4		
12	2	124070-91300	SWITCH	1	1	1		1	1		
13	2	128270-91350	BUZZER, ALARM	1	1	1		1	1		
14	2	128270-91360	PACKING, BUZZER	1	1	1		1	1		
15	2	128170-91810	SCREW M5	4	4	4		4	4		
16	2	128170-91820	WASHER 5	4	4	4		4	4		
17	2	128170-91830	PLATE NUT M5	4	4	4		4	4		
I	18	128391-77860	HARNESS, WIRE	1	1	1		1	1		W 1
		(A=E14020)	(C=E00396)					(E=E14015)			

Remarks  
 1)OPTIONAL FOR 3GM30,3GM30VE,3GM30F,  
 3GM30FVE

Fig.69.TOOL

(A)=3GM30 (D)=3GM30C  
 (B)=3GM30VE (E)=3GM30F  
 (C)=3GM30B (F)=3GM30FVE

Fig.69 工具  
 TOOL

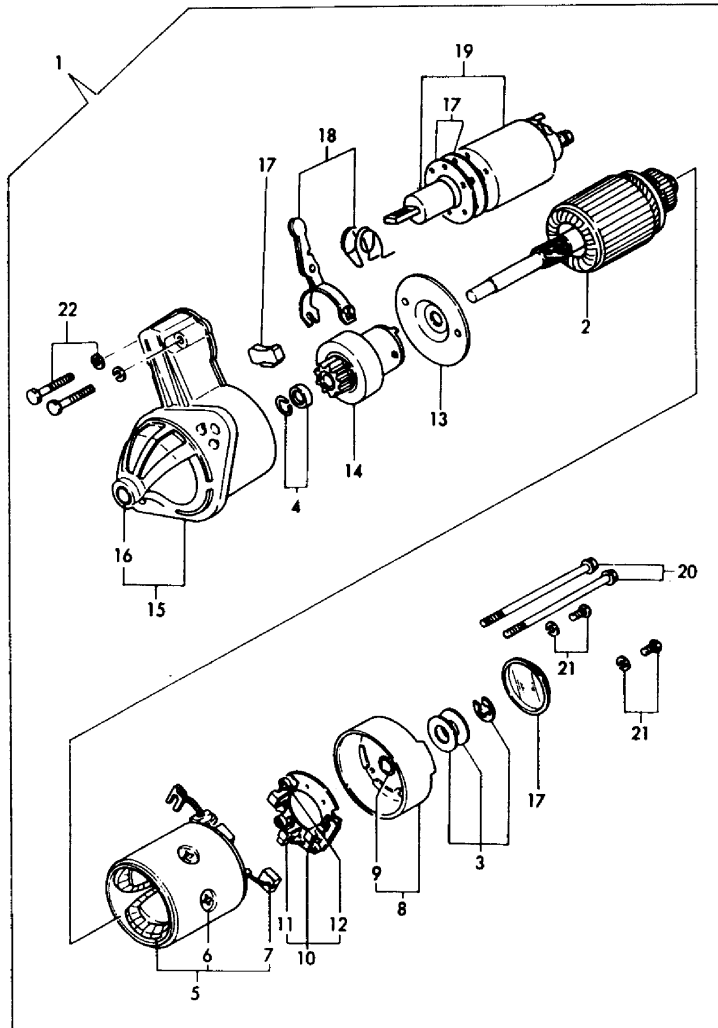


REF.	LEV.	PARTS NO.	DESCRIPTION	QTY						I	R
				(A)	(B)	(C)	(D)	(E)	(F)		
1	1	704507-92100	BOX ASSY, TOOL	1	1	1	1	1	1		
3	2	28110-100130	WRENCH 10X13	1	1	1	1	1	1		
4	2	28110-120140	WRENCH 12X14	1	1	1	1	1	1		
5	2	28110-170190	WRENCH 17X19	1	1	1	1	1	1		
6	2	28110-220240	WRENCH 22X24	1	1	1	1	1	1		
7	2	104200-92350	DRIVER, SCREW	1	1	1	1	1	1		

(A)=3GM30 (D)=3GM30C  
 (B)=3GM30VE (E)=3GM30F  
 (C)=3GM30B (F)=3GM30FVE

Fig.70.STARTING MOTOR COMPONENT PART

Fig.70 スターティングモータ インナーパーツ  
 STARTING MOTOR COMPONENT PART

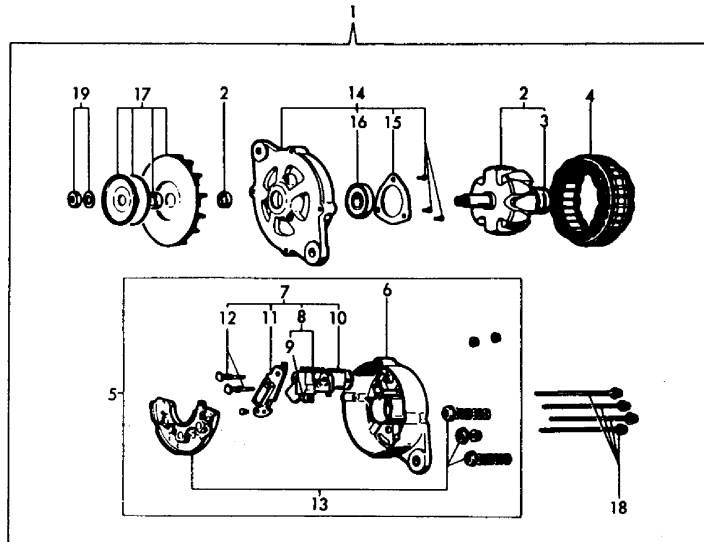


REF.	LEV.	PARTS NO.	DESCRIPTION	QTY						I	R
				(A)	(B)	(C)	(D)	(E)	(F)		
1	1	128170-77010	STARTER	1	1	1	1	1	1		
2	2	X211451005	ARMATURE	1	1	1	1	1	1		
3	2	X21148110	WASHER SET, THRUST	1	1	1	1	1	1		
4	2	X21147155	STOPPER SET, PINION	1	1	1	1	1	1		
5	2	X211462101	COIL ASSY, FIELD	1	1	1	1	1	1		
6	3	X21143215	SCREW, CORE	4	4	4	4	4	4		
7	3	X21145312	BRUSH (+)	2	2	2	2	2	2		
8	2	X211413005	COVER ASSY	1	1	1	1	1	1		
9	3	X21145352	METAL	1	1	1	1	1	1		
10	2	X211433101	HOLDER	1	1	1	1	1	1		
11	3	X21148313	BRUSH (-)	2	2	2	2	2	2		
12	3	X2114314	SPRING	4	4	4	4	4	4		
13	2	X21144454	PLATE	1	1	1	1	1	1		
14	2	X211415006	PINION ASSY	1	1	1	1	1	1		
15	2	X211476503	CASE ASSY	1	1	1	1	1	1		
16	3	X21144661	METAL, GEAR CASE	1	1	1	1	1	1		
17	2	X21146963	COVER	1	1	1	1	1	1		
18	2	X21149652	LEVER SET, SHIFT	1	1	1	1	1	1		
19	2	X211447009	SWITCH	1	1	1	1	1	1		
20	2	X21148852	BOLT, THROUGH	2	2	2	2	2	2		
21	2	X21142835	SCREW SET	2	2	2	2	2	2		
22	2	X21145866	BOLT	2	2	2	2	2	2		

(A)=3GM30 (D)=3GM30C  
 (B)=3GM30VE (E)=3GM30F  
 (C)=3GM30B (F)=3GM30FVE

Fig.71.GENERATOR COMPONENT PART

Fig. **71** ジェネレーターインナーパーツ  
 GENERATOR COMPONENT PART



REF.	LEV.	PARTS NO.	DESCRIPTION	QTY						I	R
				(A)	(B)	(C)	(E)	(F)			
1	1	129772-77200	GENERATOR(12V-55A)	1	1	1	1	1	1		
2	2	XL15571001	ROTOR ASSY	1	1	1	1	1	1		
3	3	X6201SD	BALL BEARING	1	1	1	1	1	1		
4	2	XL15542001	STATOR ASSY	1	1	1	1	1	1		
5	2	XL15553002	COVER ASSY, REAR	1	1	1	1	1	1		
6	3	XL22553012	COVER, REAR	1	1	1	1	1	1		
7	3	XL1556315	REGULATOR ASSY,BRUSH	1	1	1	1	1	1		
8	4	XL2255330	BRUSH ASSY	1	1	1	1	1	1		1
9	4	XL12013262	BRUSH	2	2	2	2	2	2		
10	4	XTR1Z63	REGULATOR	1	1	1	1	1	1		
11	4	XL2251318	CONDENCER ASSY	1	1	1	1	1	1		
12	4	XL13513134	BOLT M5	2	2	2	2	2	2		
13	3	XL2253320	DIODE ASSY	1	1	1	1	1	1		
14	2	XL2253400	FRONT COVER ASSY	1	1	1	1	1	1		
15	3	XL15014042	BEARING RETAINER	1	1	1	1	1	1		
16	3	X6203BM	BALL BEARING	1	1	1	1	1	1		
17	2	XL22555001	PULLEY ASSY	1		1	1	1	1		
I	17-1	2 XL1557500	PULLEY ASSY	1	1	1	1	1	1	1	N
		(A=E06576)	(C=E00254)	(D=E00686)	(E=E06565)						
18	2	XL15018015	BOLT, THROUGH	4	4	4	4	4	4		
19	2	XL1501810	NUT ASSY, PULLEY	1	1	1	1	1	1		
20	2	XL15028001	SCREW ASSY	1	1	1	1	1	1		2

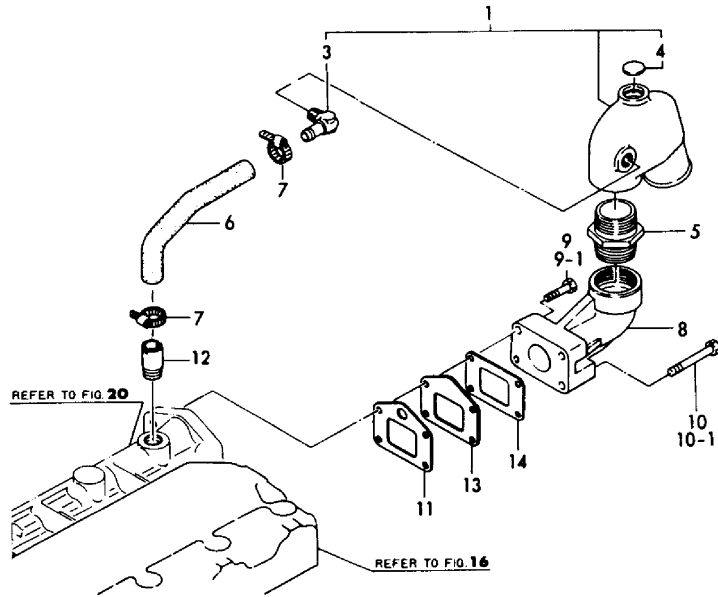
Remarks  
 2) NOT ILLUSTRATED



Fig.72.MIXING ELBOW(OPTIONAL)

(A)=3GM30 (D)=3GM30C  
 (B)=3GM30VE (E)=3GM30F  
 (C)=3GM30B (F)=3GM30FVE

Fig.72 ミキシングエルボ(オプション)  
 MIXING ELBOW(OPTIONAL)



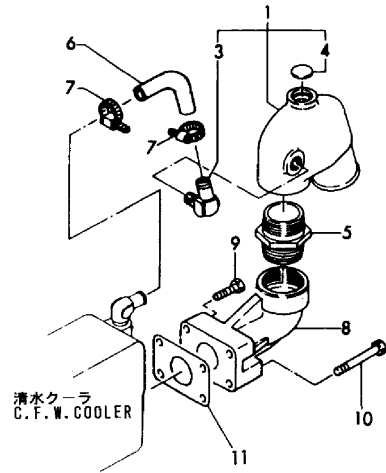
REF.	LEV.	PARTS NO.	DESCRIPTION	QTY						I	R
				(A)	(B)	(C)	(D)	(E)	(F)		
1	1	124070-13520	ELBOW, MIXING	1	1	1	1				
3	2	124070-13300	ELBOW (PT3/8)	1	1	1	1				
4	2	27233-250000	PLUG 25	1	1	1	1				
5	1	104214-13580	JOINT	1	1	1	1				
6	1	128370-49250	PIPE, COOLING WATER	1	1	1	1				
7	1	23000-025000	CLAMP 25	2	2	2	2				
8	1	128370-13610	ELBOW, EXHAUST	1	1	1	1				
9	1	26116-080402	BOLT M 8X 40 PLATED	2		2	2				
9-1	1	26203-080452	BOLT M 8X 45	2	2	2	2				S
		(A=E01538)				(C=E00133)	(D=E00212)				
10	1	26116-080602	BOLT M 8X 60 PLATED	2		2	2				
10-1	1	26203-080652	BOLT M 8X 65	2	2	2	2				S
		(A=E01538)				(C=E00133)	(D=E00212)				
11	1	128370-13230	GASKET	1		1	1				W
		(A=E01538)				(C=E00133)	(D=E00212)				
11-1	1	128370-13231	GASKET	1	1	1	1				N
		(A=E05446)				(C=E00215)	(D=E00123)				
12	2	121575-49300	JOINT PT 3/8	1	1	1	1				W
		(A=E01538)				(C=E00133)	(D=E00212)				
13	2	128370-13220	SPACER	1	1	1	1				W
		(A=E01538)				(C=E00133)	(D=E00212)				
14	1	128370-13200	GASKET	1		1	1				
I 14-1	1	128370-13201	GASKET, (NON-ASB.)	1	1	1	1				N
		(A=E11532)				(C=E00343)	(D=E01203)				

Fig.73.MIXING ELBOW(OPTIONAL)

Y00F5062 73.MIXING ELBOW(OPTIONAL)

(A)=3GM30 (D)=3GM30C  
 (B)=3GM30VE (E)=3GM30F  
 (C)=3GM30B (F)=3GM30FVE

Fig.73 ミキシングエルボ(オプション)  
 MIXING ELBOW(OPTIONAL)

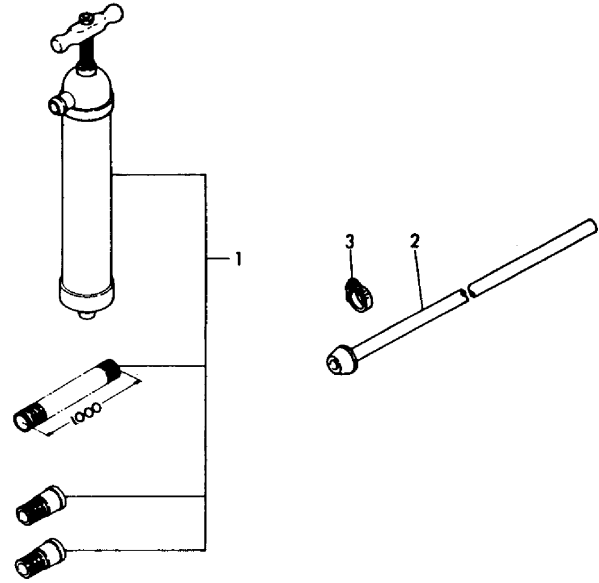


REF.	LEV.	PARTS NO.	DESCRIPTION	QTY						I	R		
				(A)	(B)	(C)	(D)	(E)	(F)				
1	1	124070-13520	ELBOW, MIXING							1	1		
3	2	124070-13300	ELBOW (PT3/8)							1	1		
4	2	27233-250000	PLUG 25							1	1		
5	1	104214-13580	JOINT							1	1		
6	1	128690-49250	PIPE, COOLING WATER							1	1		
7	1	23000-025000	CLAMP 25							2	2		
8	1	128370-13610	ELBOW, EXHAUST							1	1		
9	1	26203-080402	BOLT M 8X 40							2	2		
10	1	26203-080602	BOLT M 8X 60							2	2		
11	1	128370-13200	GASKET							1			W
										(E=FROM 1ST)			
I	11-1	1	128370-13201	GASKET, (NON-ASB.)						1	1		N
										(E=E11515)			

(A)=3GM30 (D)=3GM30C  
 (B)=3GM30VE (E)=3GM30F  
 (C)=3GM30B (F)=3GM30FVE

Fig.74.LUB.OIL WASTE PUMP(OPTIONAL)

Fig. **74** 潤滑油排油ポンプ(オプション)  
 LUB.OIL WASTE PUMP(OPTIONAL)

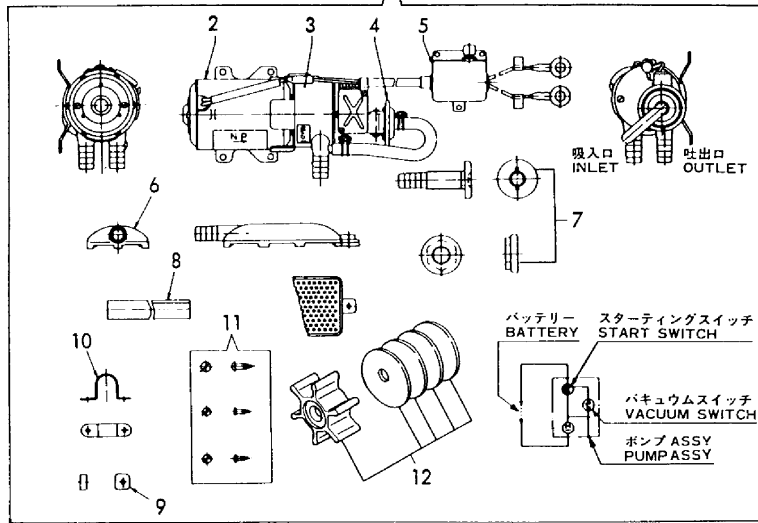
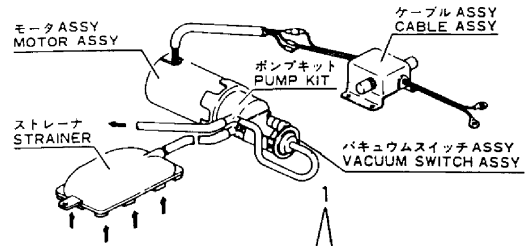


REF.	LEV.	PARTS NO.	DESCRIPTION	QTY						I	R
				(A)	(B)	(C)	(D)	(E)	(F)		
1	1	28210-000080	PUMP	1	1	1	1	1	1		
2	1	128275-39710	PIPE, LUB OIL	1	1	1	1	1	1		
3	1	23080-018000	CLAMP 18	3	3	3	3	3	3		

(A)=3GM30 (D)=3GM30C  
 (B)=3GM30VE (E)=3GM30F  
 (C)=3GM30B (F)=3GM30FVE

Fig.75.ELECTRIC BILGE PUMP(12V)(OPTIONAL)

Fig.75 電動ビルジポンプ(12V)(オプション)  
 ELECTRIC BILGE PUMP(12V)(OPTIONAL)

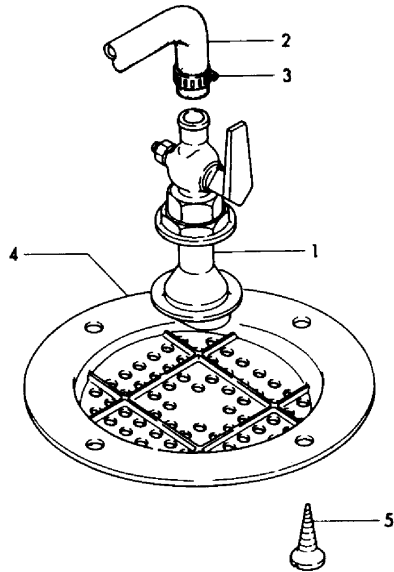


REF.	LEV.	PARTS NO.	DESCRIPTION	QTY						I R
				(A)	(B)	(C)	(D)	(E)	(F)	
I 1	1	977782-00122	PUMP(12V), BILGE	1	1	1	1	1	1	
I 2	2	XBP2901200	MOTOR ASSY.	1	1	1	1	1	1	
I 3	2	XBP1901300	PUMP SET	1	1	1	1	1	1	
I 4	2	XBP1902400	VACUUM SWITCH ASSY	1	1	1	1	1	1	
I 5	2	XBP1905500	CABLE ASSY.	1	1	1	1	1	1	
I 6	2	XBP1902810	STRAINER	1	1	1	1	1	1	
I 7	2	XBP1901820	OUTLET	1	1	1	1	1	1	
I 8	2	XBP1901830	HOSE	1	1	1	1	1	1	
I 9	2	XBP1901910	SPACER	1	1	1	1	1	1	
I 10	2	XBP1901920	CLAMP	1	1	1	1	1	1	
I 11	2	XBP1901950	SCREW SET	1	1	1	1	1	1	
I 12B	2	947859-20010	IMPELLER	1	1	1	1	1	1	

(A)=3GM30 (D)=3GM30C  
 (B)=3GM30VE (E)=3GM30F  
 (C)=3GM30B (F)=3GM30FVE

Fig.76.KINGSTON COCK(OPTIONAL)

Fig. **76** キングストンコック(オプション)  
 KINGSTON COCK(OPTIONAL)

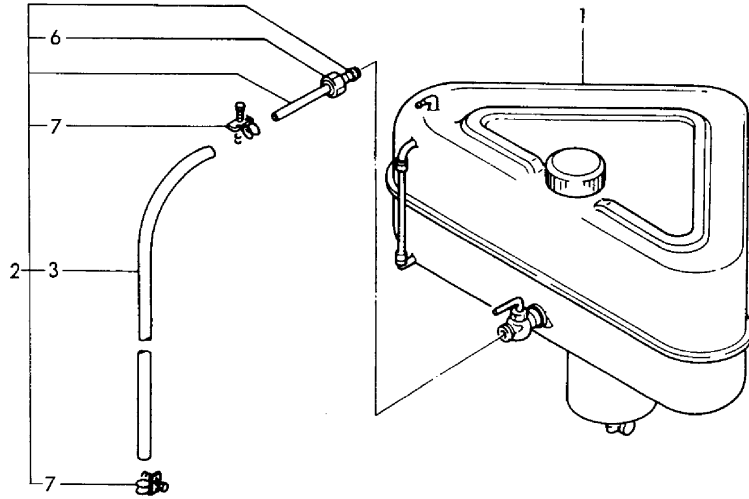


REF.	LEV.	PARTS NO.	DESCRIPTION	Q'TY						I R	
				(A)	(B)	(C)	(D)	(E)	(F)		
1	1	43662-015020	COCK ASSY, SEA WATER						1	1	
2	1	124223-49050	PIPE, COOLING WATER						1	1	
3	1	23000-025000	CLAMP 25						2	2	
4	1	43666-020951	COVER, STRAINER						1	1	
5	1	22724-800380	SCREW 8X 38						4	4	

(A)=3GM30 (D)=3GM30C  
 (B)=3GM30VE (E)=3GM30F  
 (C)=3GM30B (F)=3GM30FVE

Fig.77.FUEL TANK(OPTIONAL)

Fig. **77** 燃料タンク (オプション)  
 FUEL TANK (OPTIONAL)

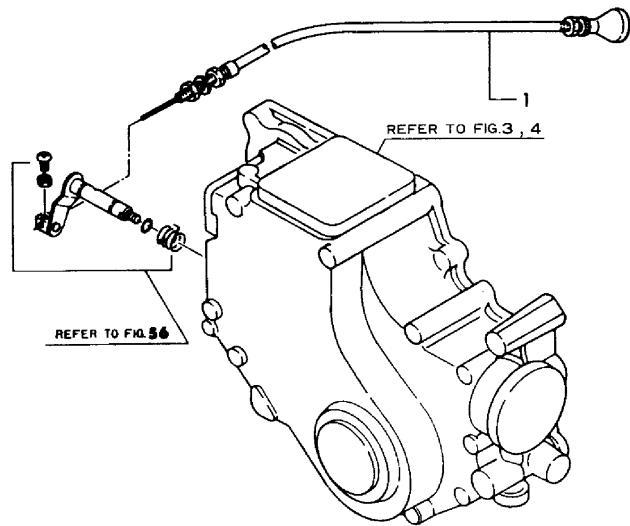


REF.	LEV.	PARTS NO.	DESCRIPTION	QTY						I	R
				(A)	(B)	(C)	(D)	(E)	(F)		
1	1	83213-003012	TANK (30L), FUEL	1	1	1	1	1	1		
2	1	124070-59060	PIPE, FUEL OIL	1	1	1	1	1	1		
3	2	124070-59130	PIPE, FUEL OIL	1	1	1	1	1	1		
6	2	138603-59380	CAP NUT	1	1	1	1	1	1		
7	2	23010-014000	CLAMP 14	2	2	2	2	2	2		

(A)=3GM30 (D)=3GM30C  
 (B)=3GM30VE (E)=3GM30F  
 (C)=3GM30B (F)=3GM30FVE

Fig.78.ENGINE STOP CABLE(OPTIONAL)

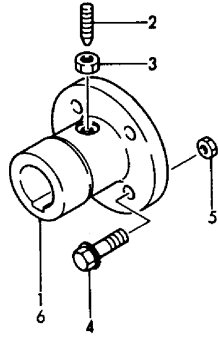
Fig.78 ストップケーブル(オプション)  
 ENGINE STOP CABLE(OPTIONAL)



REF.	LEV.	PARTS NO.	DESCRIPTION	Q'TY						I	R
				(A)	(B)	(C)	(D)	(E)	(F)		
1	1	104271-67550	CABLE L=3000	1	1	1	1	1	1		

Fig.79.TAPER COUPLING(OPTIONAL)

Fig. **79** テーパーカップリング(オプション)  
TAPER COUPLING(OPTIONAL)



Y00F5062 79.TAPER COUPLING(OPTIONAL)

(A)=3GM30 (D)=3GM30C  
(B)=3GM30VE (E)=3GM30F  
(C)=3GM30B (F)=3GM30FVE

REF.	LEV.	PARTS NO.	DESCRIPTION	QTY						I	R
				(A)	(B)	(C)	(D)	(E)	(F)		
1	1	48110-032502	COUPLING					1	1		1
2	1	48110-032411	SCREW					1	1		
3	1	26756-080002	LOCK NUT M 8 PLATED					1	1		
4	1	26106-100322	BOLT M10X 32 PLATED					4	4		
5	1	26706-100002	NUT M10					4	4		
6	1	48110-028063	COUPLING 28, TAPER					1	1	W	1

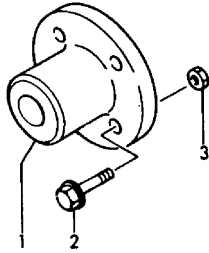
(E=EXXX)

Remarks  
1)SELECT PART.



Fig.80.COUPLING(OPTIONAL)

Fig. **80** カップリング(オプション)  
COUPLING(OPTIONAL)



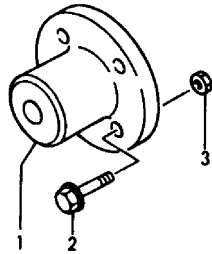
Y00F5062 80.COUPLING(OPTIONAL)

(A)=3GM30 (D)=3GM30C  
(B)=3GM30VE (E)=3GM30F  
(C)=3GM30B (F)=3GM30FVE

REF.	LEV.	PARTS NO.	DESCRIPTION	Q'TY						I	R
				(A)	(B)	(C)	(D)	(E)	(F)		
1	1	105583-85900	COUPLING (22), SOLID	1	1			1	1		
2	1	26106-100322	BOLT M10X 32 PLATED	4	4			4	4		
3	1	26706-100002	NUT M10	4	4			4	4		

Fig.81.STRAIGHT COUPLING(OPTIONAL)

Fig. **81** ストレートカップリング(オプション)  
STRAIGHT COUPLING(OPTIONAL)



Y00F5062 81.STRAIGHT COUPLING(OPTIONAL)

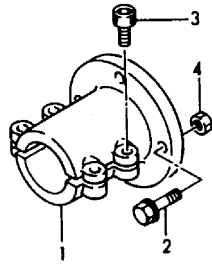
(A)=3GM30 (D)=3GM30C  
(B)=3GM30VE (E)=3GM30F  
(C)=3GM30B (F)=3GM30FVE

REF.	LEV.	PARTS NO.	DESCRIPTION	Q'TY						I	R
				(A)	(B)	(C)	(D)	(E)	(F)		
1	1	45414-500260	COUPLING (16)	1	1			1	1		
2	1	26106-100322	BOLT M10X 32 PLATED	4	4			4	4		
3	1	26706-100002	NUT M10	4	4			4	4		

Fig.82.SLIT COUPLING(OPTIONAL)

(A)=3GM30 (D)=3GM30C  
 (B)=3GM30VE (E)=3GM30F  
 (C)=3GM30B (F)=3GM30FVE

Fig. **82** スリットカップリング(オプション)  
 SLIT COUPLING(OPTIONAL)

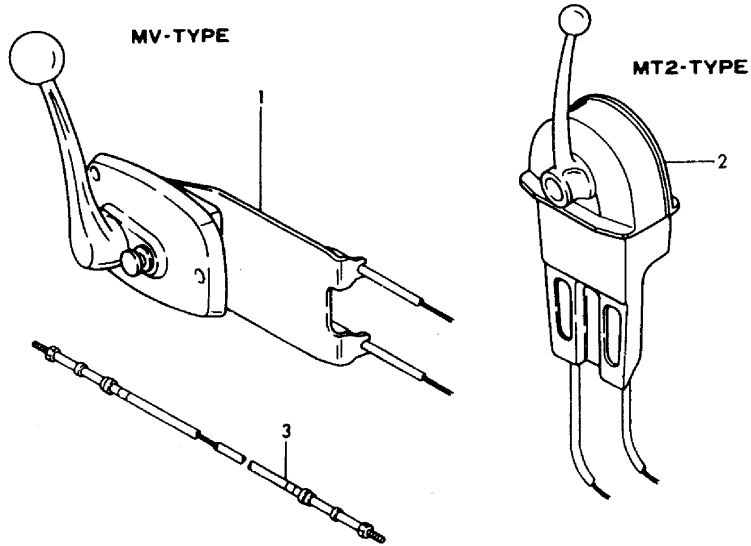


REF.	LEV.	PARTS NO.	DESCRIPTION	Q'TY						I	R	
				(A)	(B)	(C)	(D)	(E)	(F)			
1	1	104214-83980	COUPLING (20), SLIT	1	1	1			1	1		
2	1	26106-100322	BOLT M10X 32 PLATED	4	4	4			4	4		
3	1	26450-080282	BOLT M 8X 28	4	4	4			4	4		
4	1	26706-100002	NUT M10	4	4	4			4	4		

(A)=3GM30 (D)=3GM30C  
 (B)=3GM30VE (E)=3GM30F  
 (C)=3GM30B (F)=3GM30FVE

Fig.83.SINGLE LEVER CONTROL(OPTIONAL)

Fig. **83** シングルレバーコントロール(オプション)  
 SINGLE LEVER CONTROL (OPTIONAL)

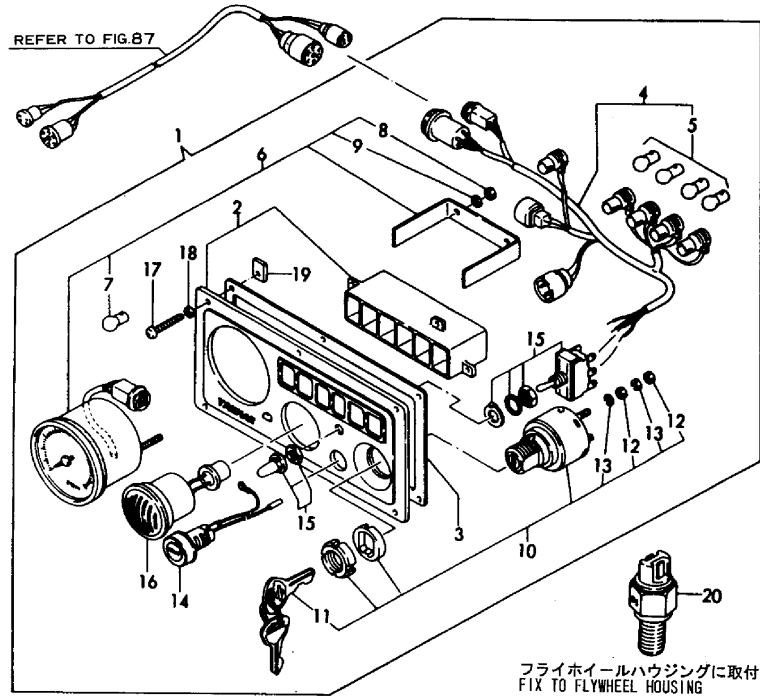


REF.	LEV.	PARTS NO.	DESCRIPTION	QTY						I	R
				(A)	(B)	(C)	(D)	(E)	(F)		
1	1	128170-86500	MOUNT	1	1	1	1	1	1		
2	1	196311-34250	HEAD, REMOTE-CONTROL	1		1	1	1			
2-1	1	41730-000680	HEAD, REMOTE-CONTROL	1	1	1	1	1	1	1	S
3	1	41710-000380	CABLE L=4000	(A=E) 2	(B=E) 2	(C=E) 2	(D=E) 2	(E=E) 2	(F=E) 2		

Fig.84.PANEL(B-TYPE)(OPTIONAL)

(A)=3GM30 (D)=3GM30C  
 (B)=3GM30VE (E)=3GM30F  
 (C)=3GM30B (F)=3GM30FVE

Fig. 84 計器盤 (Bタイプ) (オプション)  
 PANEL (B-TYPE) (OPTIONAL)



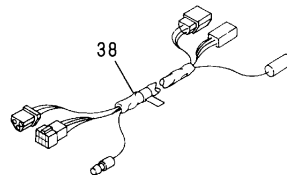
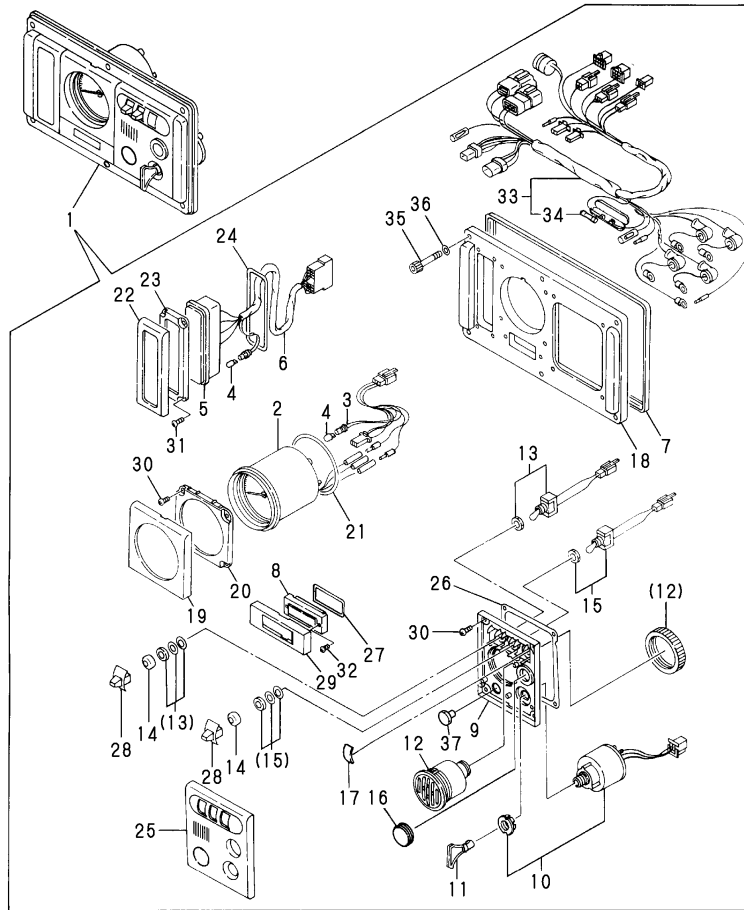
REF.	LEV.	PARTS NO.	DESCRIPTION	QTY						I	R
				(A)	(B)	(C)	(D)	(E)	(F)		
1	1	128170-91001	PANEL ASSY, INSTRUM	1	1	1	1	1	1		
I	2	128170-91010	HOUSING, PANEL								
I	3	128170-91020	GASKET								
I	4	128170-91031	HARNESS, WIRE								
5	3	46150-001110	BULB(12V3W/G11.BA9S)	4	4	4	4	4	4		
I	6	128170-91100	TACHOMETER (P=97)								
7	3	46150-001110	BULB(12V3W/G11.BA9S)	1	1	1	1	1	1		
8	3	26716-050002	NUT M 5	2	2	2	2	2	2		
9	3	22217-050000	SPRING WASHER 5	2	2	2	2	2	2		
I	10	124070-91250	SWITCH W/KEY								
11	3	124070-91290	KEY, SWITCH	1	1	1	1	1	1		
12	3	26716-050002	NUT M 5	4	4	4	4	4	4		
13	3	22217-050000	SPRING WASHER 5	4	4	4	4	4	4		
I	14	124070-91300	SWITCH								
I	15	128170-91310	SWITCH, LAMP								
I	16	104271-91351	BUZZER								
I	17	128170-91810	SCREW M5								
I	18	128170-91820	WASHER 5								
I	19	128170-91830	PLATE NUT M5								
20	1	128170-91160	SENSOR, TACHOMETER	1	1	1	1	1	1		
I	21	128391-77860	HARNESS, WIRE	1	1	1	1	1	1		W
				(A=E14020)	(C=E00396)	(D=E01583)	(E=E14015)				

(A)=3GM30 (D)=3GM30C  
 (B)=3GM30VE (E)=3GM30F  
 (C)=3GM30B (F)=3GM30FVE

Fig.85.PANEL(B-TYPE,NEW,OPTIONAL)

P/C NEWS No:Y00F5062-3  
 PUBLISHED:2003/7

Fig.85 計器盤 (Bタイプ, 新形, オプション)  
 INSTRUMENT PANEL (B-TYPE, NEW, OPTIONAL)



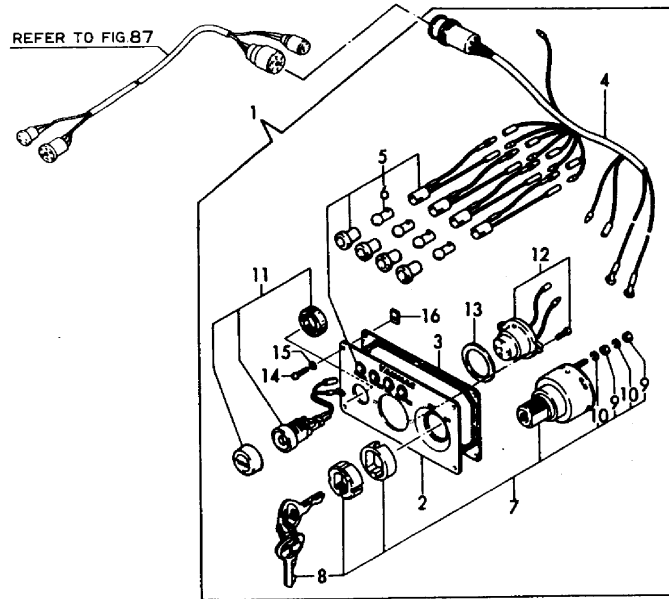
Remarks  
 (1)FOR 3GM30B TYPE NEW PANEL  
 (E/#00396)  
 (M)MISPRINT:REFER TO THE NEXT ITEM.

REF.	LEV.	PARTS NO.	DESCRIPTION	QTY						I	R	
				(A)	(B)	(C)	(D)	(E)	(F)			
1	1	128391-91130	PANEL ASSY, INSTRUM				1					1
2	2	128391-91200	METER, TACHO./HOUR				1					
3	2	129574-91870	WIRE				1					
4	2	124617-91980	BULB				6					
I	5	2	119183-91860	WIRE			1					M
I	5-1	2	128391-91260	BOX, ARARM			1					
6	2	128391-91860	WIRE				1					
7	2	128391-91700	PACKING				1					
8	2	129170-91650	COVER				1					
9	2	129574-91410	BRACKET				1					
10	2	121575-91250	SWITCH W/KEY				1					
11	2	123482-91291	KEY, SWITCH				1					
12	2	104271-91352	BUZZER				1					
13	2	129170-91800	SWITCH				1					
14	2	129574-91780	CAP				2					
15	2	129574-91790	SWITCH				1					
16	2	120324-91690	BLIND				1					
17	2	129170-91810	BLIND				1					
18	2	128391-91930	PANEL				1					
19	2	129574-91620	COVER				1					
20	2	129574-91420	BRACKET				1					
21	2	129574-91720	GASKET				1					
22	2	128391-91640	COVER				1					
23	2	128391-91440	PLATE				1					
24	2	128391-91740	GASKET				1					
25	2	120324-91610	COVER				1					
26	2	129574-91710	GASKET				1					
27	2	129574-91750	GASKET				1					
28	2	129574-91770	KNOB				2					
29	2	129574-91650	COVER				1					
30	2	127692-91410	SCREW				8					
31	2	127692-91440	SCREW				4					
32	2	127692-91450	SCREW				2					
33	2	128391-91850	HARNES, WIRE				1					
34	3	124617-91990	FUSE (3A)				1					
35	2	127687-91870	BOLT 6X 35				6					
36	2	127687-91880	WASHER				6					
I	37	2	129574-91760	BLIND			1					W
			(C=*1994.01)									
38	1	128391-77700	HARNES, WIRE(3M)				1					

(A)=3GM30 (D)=3GM30C  
 (B)=3GM30VE (E)=3GM30F  
 (C)=3GM30B (F)=3GM30FVE

Fig.86.PANEL(A-TYPE)(OPTIONAL)

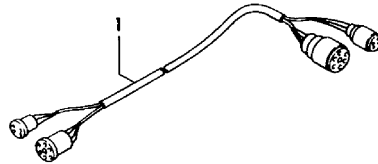
Fig.86 計器盤(Aタイプ)(オプション)  
 PANEL(A-TYPE)(OPTIONAL)



REF.	LEV.	PARTS NO.	DESCRIPTION	QTY						I	R	
				(A)	(B)	(C)	(D)	(E)	(F)			
1	1	128371-91000	PANEL ASSY, INSTRUM				1					
2	2	128270-91010	HOUSING, PANEL				1					
3	2	128270-91020	PACKING				1					
4	2	128371-91030	HARNESS, WIRE				1					
5	2	128270-91040	LAMP, PILOT				4					
6	3	46150-001110	BULB(12V3W/G11.BA9S)				4					
7	2	124070-91250	SWITCH W/KEY				1					
8	3	124070-91290	KEY, SWITCH				1					
9	3	26716-050002	NUT M 5				4					
10	3	22217-050000	SPRING WASHER 5				4					
11	2	124070-91300	SWITCH				1					
12	2	128270-91350	BUZZER, ALARM				1					
13	2	128270-91360	PACKING, BUZZER				1					
14	2	128170-91810	SCREW M5				4					
15	2	128170-91820	WASHER 5				4					
16	2	128170-91830	PLATE NUT M5				4					

Fig.87.EXTENSION WIRE(OPTIONAL)

Fig. **87** エクステンションコード(オプション)  
EXTENSION WIRE(OPTIONAL)



Y00F5062 87.EXTENSION WIRE(OPTIONAL)

(A)=3GM30 (D)=3GM30C  
(B)=3GM30VE (E)=3GM30F  
(C)=3GM30B (F)=3GM30FVE

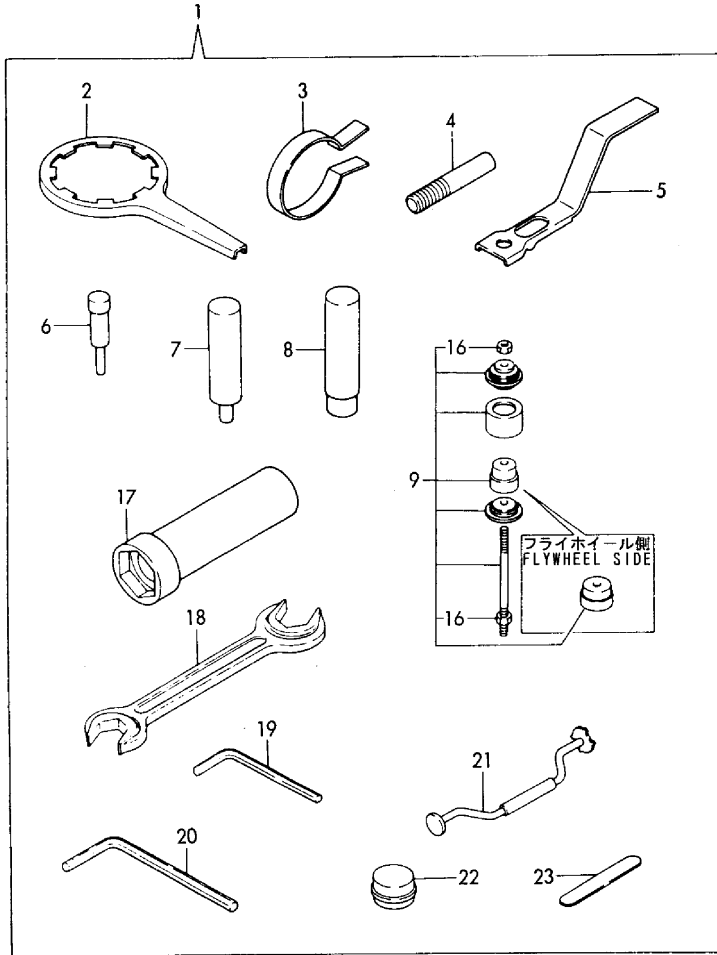
REF.	LEV.	PARTS NO.	DESCRIPTION	Q'TY						I	R
				(A)	(B)	(C)	(D)	(E)	(F)		
1	1	128170-77500	HARNESS, WIRE	1	1	1	1	1	1		



Fig.88.SPECIAL TOOL(OPTIONAL)

(A)=3GM30 (D)=3GM30C  
 (B)=3GM30VE (E)=3GM30F  
 (C)=3GM30B (F)=3GM30FVE

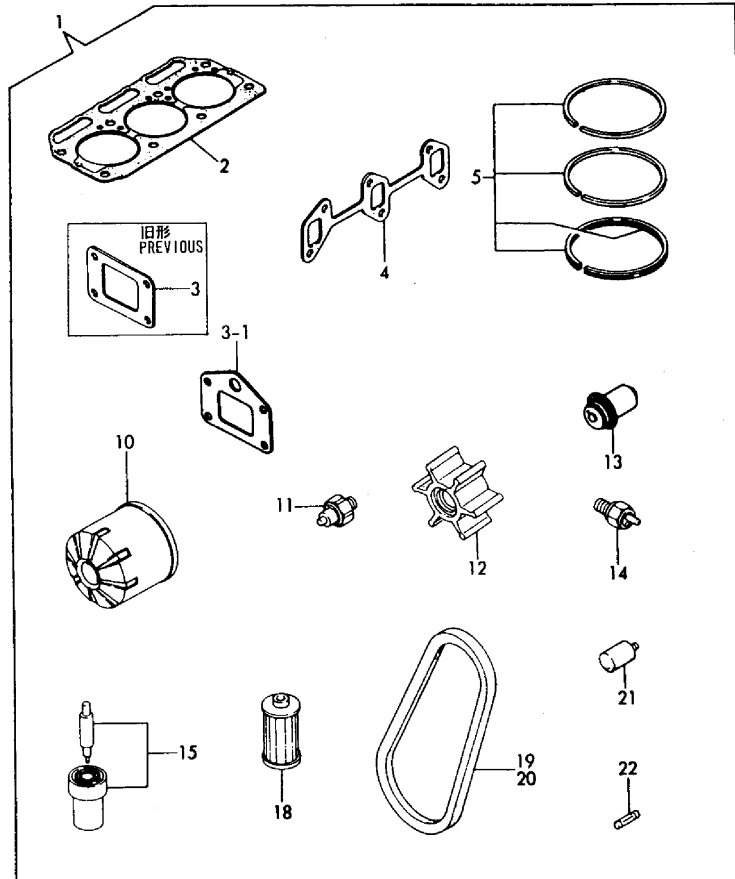
Fig. 88 特殊工具(オプション)  
 SPECIAL TOOL (OPTIONAL)



REF.	LEV.	PARTS NO.	DESCRIPTION	----- QTY -----						I	R
				(A)	(B)	(C)	(D)	(E)	(F)		
1	1	728270-92400	TOOL, ASSY, SPECIAL	1	1	1	1	1	1		
2	2	124550-35350	WRENCH, FILTER	1	1	1	1	1	1		
3	2	101200-92140	TOOL, PISTON&RING	1	1	1	1	1	1		
4	2	101104-92180	PULLER, NOZZLE	1	1	1	1	1	1		
5	2	124085-92210	REMOVER, VALVE	1	1	1	1	1	1		
6	2	124085-92250	REMOVER, VALVE GUIDE	1	1	1	1	1	1		
7	2	124085-92260	REMOVER, PISTON PIN	1	1	1	1	1	1		
8	2	124085-92270	REMOVER, PIN BUSH	1	1	1	1	1	1		
9	2	124085-92400	REPLACER, MAIN BERG.	1	1	1	1	1	1		
16	3	26716-160002	NUT M16	2	2	2	2	2	2		
17	2	124085-92700	WRENCH	1	1	1	1	1	1		
18	2	28110-270300	WRENCH 27X30	1	1	1	1	1	1		
19	2	28150-040000	BAR WRENCH	1	1	1	1	1	1		
20	2	28150-050000	BAR WRENCH	1	1	1	1	1	1		
21	2	28210-000031	RAPPING TOOL	1	1	1	1	1	1		
22	2	28210-000070	LAPPING POWDER	1	1	1	1	1	1		
23	2	28312-200750	THICKNESS GAUGE	1	1	1	1	1	1		

Fig.89.REPAIR PART(OPTIONAL)

Fig.89 スペアパーツ(オプション)  
REPAIR PART(OPTIONAL)

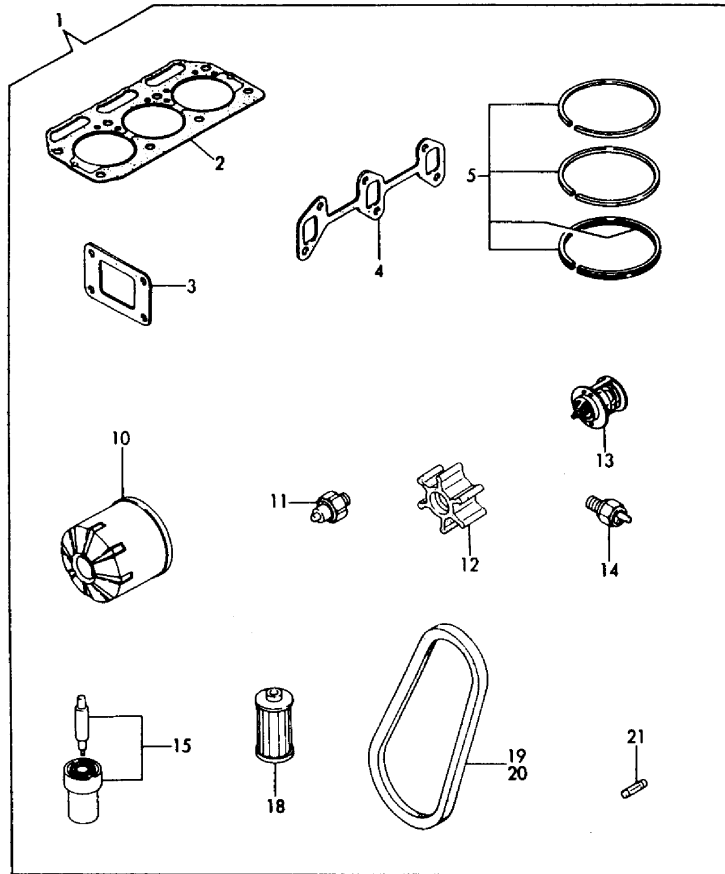


(A)=3GM30 (D)=3GM30C  
(B)=3GM30VE (E)=3GM30F  
(C)=3GM30B (F)=3GM30FVE

REF.	LEV.	PARTS NO.	DESCRIPTION	QTY						I	R
				(A)	(B)	(C)	(D)	(E)	(F)		
1	1	728374-92500	REPAIR SET	1	1	1	1				
2	2	128374-01330	GASKET, CYL. HEAD	1		1	1				
2-1	2	128374-01911	GASKET, CYL. HEAD	1	1	1	1				N
		(A=E04576)	(C=E00202)	(D=E00119)							
3	2	128370-13200	GASKET	1		1	1				
I	3-1	2	128370-13230	GASKET	1		1	1			S
		(A=E01538)	(C=E00133)	(D=E00212)							
I	3-2	2	128370-13231	GASKET	1	1	1	1			N
		(A=E05449)	(C=E00215)	(D=E00123)							
4	2	121450-13250	GASKET, EXH.MANIFOLD	1		1	1				
I	4-1	2	121450-13251	GASKET, (NON-ASB.)	1	1	1	1			N
		(A=E11532)	(C=E00343)	(D=E01203)							
5	2	705311-22500	RING SET	3	3	3	3				
10	2	124450-35100	FILTER, LUB. OIL	1		1	1				
I	10-1	2	119660-35150	FILTER, LUB. OIL	1	1	1	1			N
		(A=E11532)	(C=E00343)	(D=E01203)							
11	2	124060-39451	SENDER, OIL PRESSURE	1	1	1	1				
12	2	104211-42070	IMPELLER, C. WATER	1	1	1	1				
13	2	105582-49200	THERMOSTAT	1	1	1	1				
14	2	128275-91340	SWITCH, THERMO(65C	1	1	1	1				
15	2	124770-53000	NOZZLE ASSY,F.INJECT	3	3	3	3				
18	2	104500-55710	ELEMENT, FUEL	1	1	1	1				
19	2	104511-78780	V-BELT	1	1	1	1				
20	2	128670-77350	V-BELT (A-31)	1	1	1	1				
21	2	27210-200300	ZINC, ANTI-CORROSIVE	3	3	3	3				
22	2	46150-003680	FUSE 30A	1	1	1	1				

Fig.90.REPAIR PART(OPTIONAL)

Fig. **90** スペアパーツ(オプション)  
REPAIR PART(OPTIONAL)

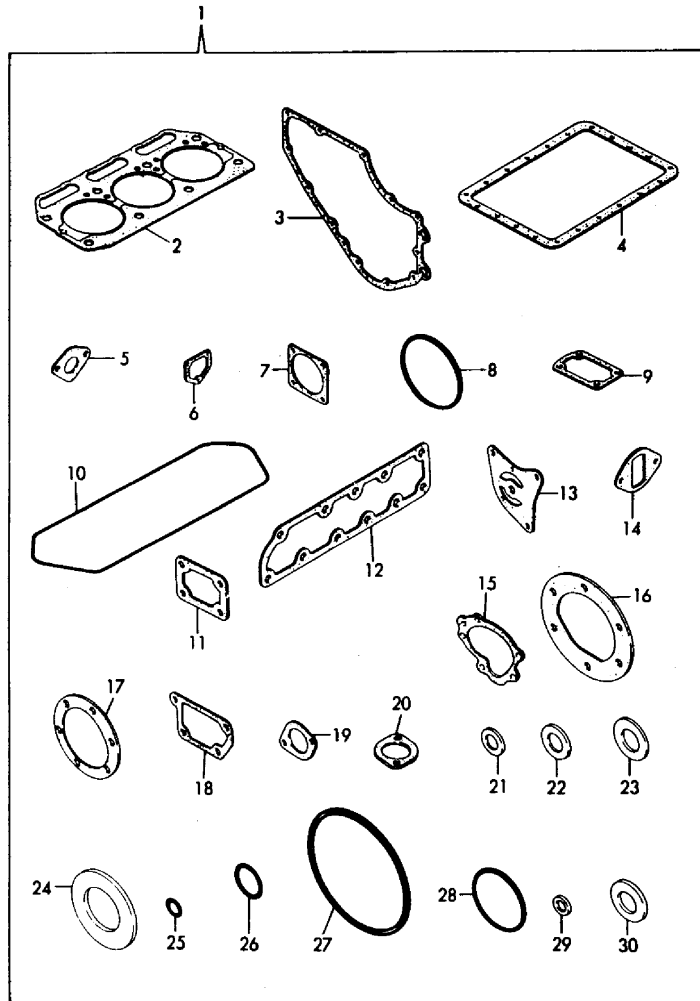


(A)=3GM30 (D)=3GM30C  
(B)=3GM30VE (E)=3GM30F  
(C)=3GM30B (F)=3GM30FVE

REF.	LEV.	PARTS NO.	DESCRIPTION	Q'TY						I	R		
				(A)	(B)	(C)	(D)	(E)	(F)				
1	1	728391-92500	REPAIR SET							1	1		
2	2	128374-01330	GASKET, CYL. HEAD							1			
2-1	2	128374-01911	GASKET, CYL. HEAD							1	1	N	
				(E=E04594)									
3	2	128370-13200	GASKET							1			
I 3-1	2	128370-13201	GASKET, (NON-ASB.)							1	1	N	
				(E=E11515)									
4	2	121450-13250	GASKET, EXH.MANIFOLD							1			
I 4-1	2	121450-13251	GASKET, (NON-ASB.)							1	1	N	
				(E=E11515)									
5	2	705311-22500	RING SET							3	3		
10	2	124450-35100	FILTER, LUB. OIL							1			
I 10-1	2	119660-35150	FILTER, LUB. OIL							1	1	R	
				(E=E11515)									
11	2	124060-39451	SENDER, OIL PRESSURE							1	1		
12	2	124223-42091	IMPELLER, C. WATER							1	1		
13	2	121750-49800	THERMOSTAT							1	1		
14	2	127610-91350	SWITCH, THERMO							1	1		
15	2	124770-53000	NOZZLE ASSY,F.INJECT							3	3		
18	2	104500-55710	ELEMENT, FUEL							1	1		
19	2	104511-78780	V-BELT							1	1		
20	2	124732-42290	V-BELT (A-37)							1	1		
21	2	46150-003680	FUSE 30A							1	1		

Fig.91.GASKET SET(OPTIONAL)

Fig. 91 パッキンセット(オプション)  
GASKET SET(OPTIONAL)



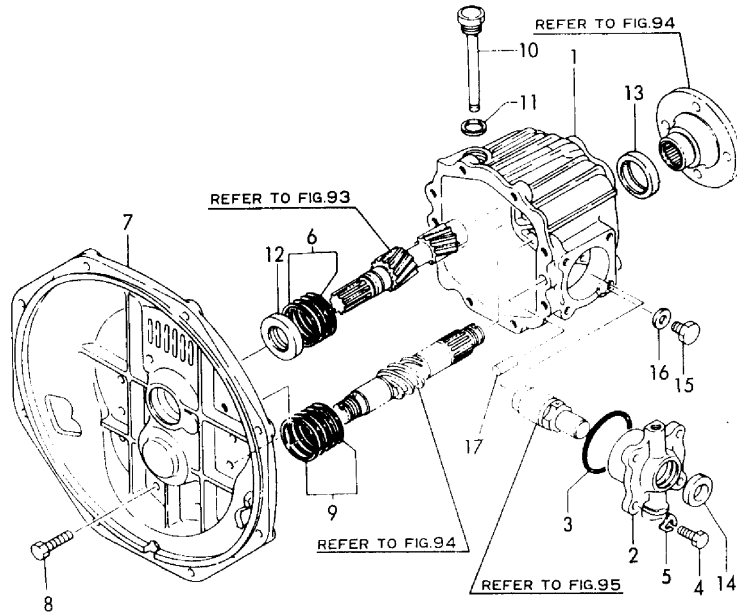
(A)=3GM30 (D)=3GM30C  
(B)=3GM30VE (E)=3GM30F  
(C)=3GM30B (F)=3GM30FVE

REF.	LEV.	PARTS NO.	DESCRIPTION	QTY						I	R
				(A)	(B)	(C)	(D)	(E)	(F)		
1	1	728374-92600	GASKET SET	1	1	1	1	1	1		
2	2	128374-01330	GASKET, CYL. HEAD	1		1	1	1			
2-1	2	128374-01911	GASKET, CYL. HEAD	1	1	1	1	1	1	1	N
3	2	121575-01510	GASKET, GEAR HOUSING	1		1	1	1	1		
I 3-1	2	121575-01511	GASKET, (NON-ASB.)	1	1	1	1	1	1	1	N
4	2	121450-01751	GASKET, OIL SUMP	1	1	1	1	1	1	1	
5	2	121520-01850	GASKET, F.FEED PUMP	1		1	1	1	1		
I 5-1	2	121520-01851	GASKET, (NON-ASB.)	1	1	1	1	1	1	1	N
6	2	121575-01860	GASKET, COVER	1		1	1	1	1		
I 6-1	2	121575-01861	GASKET, (NON-ASB.)	1	1	1	1	1	1	1	N
7	2	124240-01882	GASKET, HYD.OIL PUMP	1		1	1	1	1		
I 7-1	2	124240-01883	GASKET, (NON-ASB.)	1	1	1	1	1	1	1	N
8	2	105225-02020	O-RING	1	1	1	1	1	1	1	
9	2	121000-03070	GASKET	1	1	1	1	1	1	1	
10	2	121450-11310	GASKET, BONNET	1	1	1	1	1	1	1	
11	2	121450-11680	GASKET, COVER	1		1	1	1	1		
I 11-1	2	121450-11681	GASKET, (NON-ASB.)	1	1	1	1	1	1	1	N
12	2	128370-13180	GASKET	1		1	1	1	1		
I 12-1	2	128370-13181	GASKET, (NON-ASB.)	1	1	1	1	1	1	1	N
13	2	121450-32021	GASKET, L.O.PUMP	1	1	1	1	1	1	1	
14	2	124160-34844	GASKET	1		1	1	1	1		
I 14-1	2	124160-34845	GASKET, (NON-ASB.)	1	1	1	1	1	1	1	N
15	2	121000-42051	GASKET, C.W.PUMP	1	1	1	1	1	1	1	
16	2	104211-42090	GASKET	1	1	1	1	1	1	1	
17	2	124223-42110	GASKET	1	1	1	1	1	1	1	
18	2	121450-44410	GASKET, BRACKET	1	1	1	1	1	1	1	
19	2	104211-49160	PACKING	1	1	1	1	1	1	1	
20	2	129350-49540	GASKET, THERMO.	1		1	1	1	1		
20-1	2	124736-49540	GASKET, THERMO.	1	1	1	1	1	1	1	S
21	2	23414-080000	GASKET 8, ROUND	20	20	20	20	20	20	20	
22	2	23414-100000	GASKET 10, ROUND	5	5	5	5	5	5	5	
23	2	23414-120000	GASKET 12, ROUND	20	20	20	20	20	20	20	
24	2	23414-250000	GASKET 25,ROUND	5	5	5	5	5	5	5	
25	2	24311-000100	O-RING 1A P-10.0	2	2	2	2	2	2	2	
26	2	24311-000160	O-RING 1A P-16.0	1	1	1	1	1	1	1	
27	2	24311-000700	O-RING 1A P-70.0	2	2	2	2	2	2	2	
28	2	24321-000350	O-RING 1A G-35.0	1	1	1	1	1	1	1	
29	2	43400-500390	SEAL WASHER 6S	2	2	2	2	2	2	2	
30	2	43400-500450	SEAL WASHER 12S	2	2	2	2	2	2	2	

Fig.92.CLUTCH HOUSING

(A)=KM3A (D)=  
 (B)= (E)=  
 (C)= (F)=

Fig. 92 クラッチケース  
 CLUTCH CASE

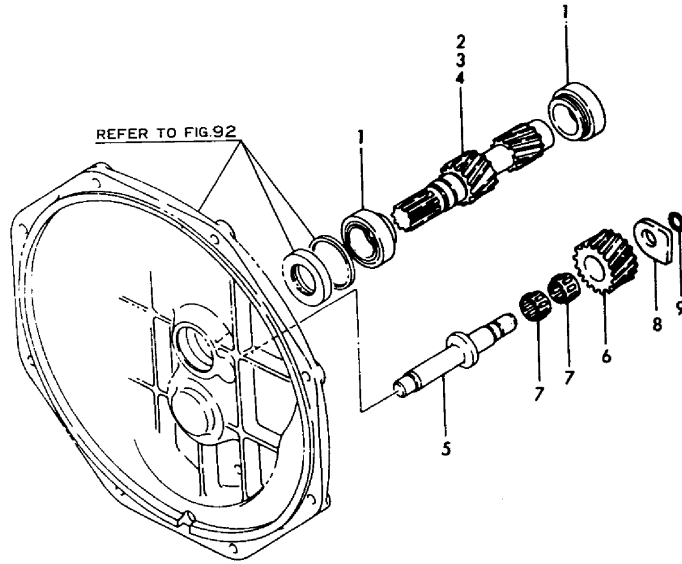


REF.	LEV.	PARTS NO.	DESCRIPTION	QTY						I	R
				(A)	(B)	(C)	(D)	(E)	(F)		
1	1	177070-02011	HOUSING, CLUTCH	1							
2	1	177088-02091	COVER, SIDE	1							
3	1	24341-000600	O-RING 1A S-60.0	1							
4	1	26116-080202	BOLT M 8X 20 PLATED	4							
5	1	22287-080000	LOCKING WASHER	4							
6	1	177088-02350	SHIM SET	1							
7	1	177070-02031	FLANGE, CLUTCH	1							
8	1	26116-080252	BOLT M 8X 25 PLATED	8							
9	1	177090-02250	SHIM SET	1							
10	1	177088-02450	DIPSTICK	1							
11	1	23414-160021	GASKET 16	1							
12	1	177088-02950	SEAL SC25 40 8, OIL	1							
13	1	177088-02961	SEAL MHSA34 44 8,OIL	1							
14	1	177088-02970	SEAL, OIL	1							
15	1	23883-100002	PLUG 10	1							
16	1	23414-100000	GASKET 10, ROUND	1							
17	1	22312-100160	PARALLEL PIN 10X16	2							

(A)=KM3A (D)=  
 (B)= (E)=  
 (C)= (F)=

Fig.93.INPUT SHAFT & SUPPORT SHAFT

Fig. **93** インプットシャフト & サポートシャフト  
 INPUT SHAFT & SUPPORT SHAFT

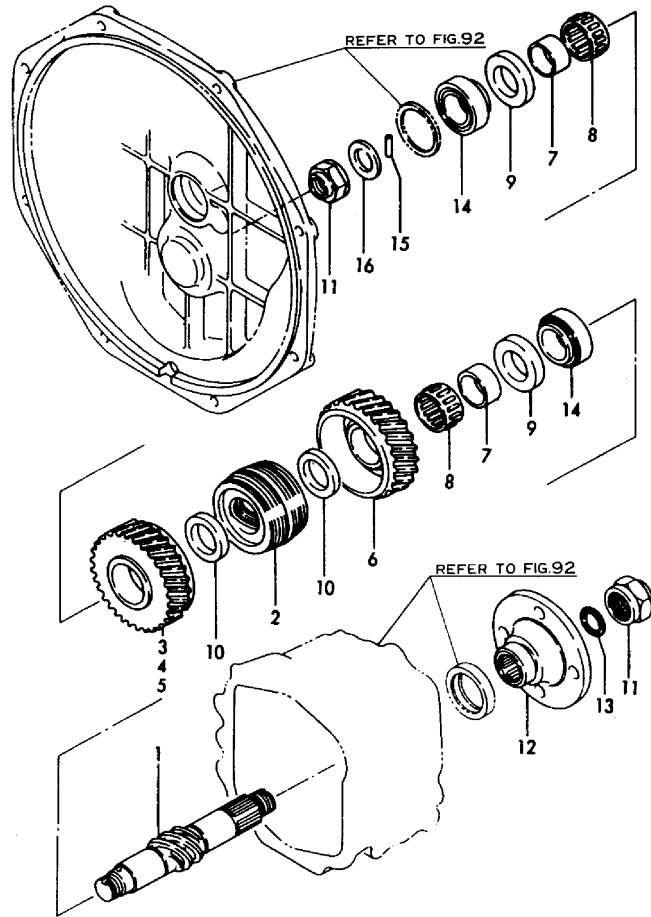


REF.	LEV.	PARTS NO.	DESCRIPTION	Q'TY						I	R
				(A)	(B)	(C)	(D)	(E)	(F)		
1	1	177088-03400	ROLLER BERING	2							
2	1	177070-03030	SHAFT, INPUT	1							
3	1	177070-03010	SHAFT, INPUT	1							
4	1	177070-03020	SHAFT, INPUT	1							
5	1	177070-03301	SHAFT, REVERSE IDLE	1							
6	1	177088-03311	GEAR (Z=26), IDLE	1							
7	1	177088-03331	NEEDLE BERG.#K162213	2							
8	1	177088-03341	WASHER, THRUST	1							
9	1	24341-000120	O-RING 1A S-12.0	1							

Fig.94.OUTPUT SHAFT

(A)=KM3A (D)=  
 (B)= (E)=  
 (C)= (F)=

Fig.94 アウトプットシャフト  
 OUTPUT SHAFT

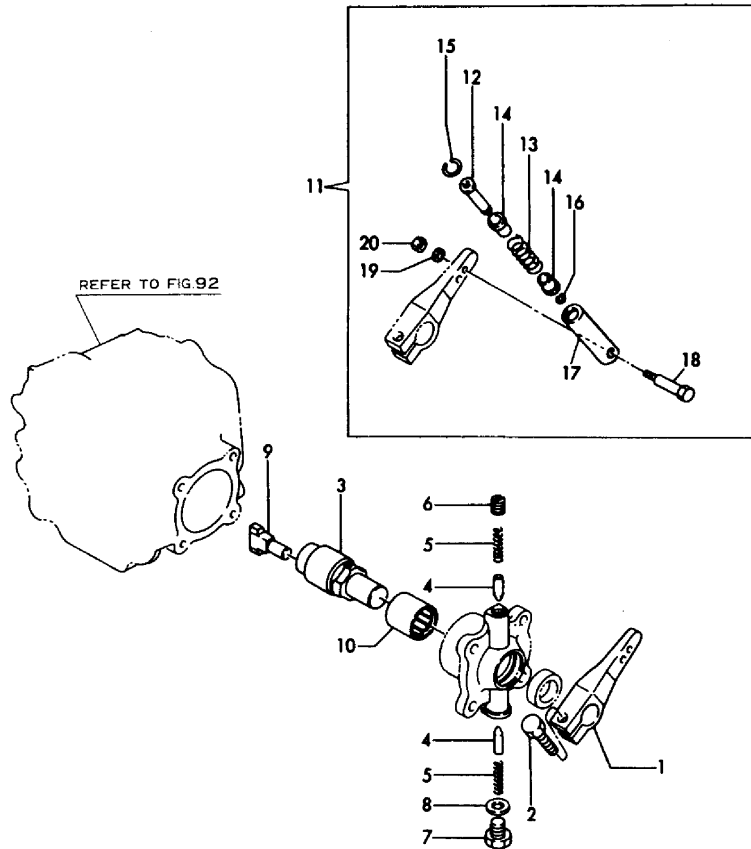


REF.	LEV.	PARTS NO.	DESCRIPTION	QTY						I	R
				(A)	(B)	(C)	(D)	(E)	(F)		
1	1	177070-03040	SHAFT, OUTPUT	1							
2	1	177070-03070	CONE,DRIVE	1							
3	1	177070-03130	GEAR (Z=59), FORWARD	1							
4	1	177070-03111	GEAR (Z=60), REV.	1							
5	1	177070-03121	GEAR (Z=64), FORWARD	1							
6	1	177070-03111	GEAR (Z=60), REV.	1							
7	1	177070-03190	RACE, BEARING INNER	2							
8	1	177070-03200	NEEDLE BEARING	2							
9	1	177070-03230	COLLAR (A), THRUST	2							
10	1	177070-03250	COLLAR (B), THRUST	2							
11	1	177088-03272	NUT	2							
12	1	177070-03550	COUPLING, OUTPUT	1							
13	1	24311-000210	O-RING 1A P-21.0	1							
14	1	24141-302050	ROLLER BEARING	2							
15	1	177088-03290	PIN 4D-22L	1							
16	1	177088-03280	COLLAR 32D-45T	1							

(A)=KM3A (D)=  
 (B)= (E)=  
 (C)= (F)=

Fig.95.REMOTE CONTROL DEVICE

Fig. 95 操纵装置  
 REMOTE CONTROL DEVICE



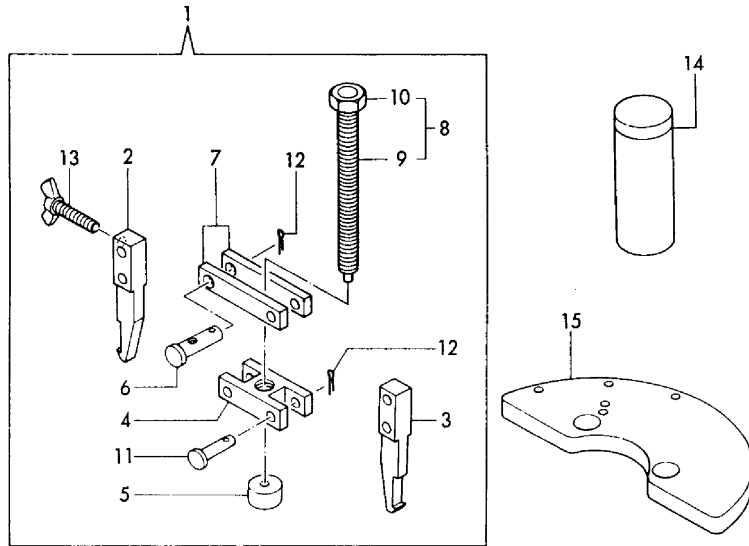
REF.	LEV.	PARTS NO.	DESCRIPTION	QTY						I	R
				(A)	(B)	(C)	(D)	(E)	(F)		
1	1	177095-06040	LEVER	1							
2	1	26106-080252	BOLT M 8X 25 PLATED	1							
3	1	177088-06010	SHAFT	1							
4	1	177095-03190	PIN	2							
5	1	177088-06020	SPRING	2							
6	1	26911-100102	SCREW M10X10	1							
7	1	23883-100002	PLUG 10	1							
8	1	23414-100000	GASKET 10, ROUND	1							
9	1	177088-06050	SHIFTER	1							
10	1	177088-06070	NEEDLE BERG. #HK3026	1							
11	1	177088-06090	CONNECTOR ASSY	1							
12	2	177088-06120	CONNECTOR	1							
13	2	177088-06170	SPRING, SHIFT	1							
14	2	177088-06140	RETAINER, SPRING	2							
15	2	177088-06150	CIRCLIP	1							
16	2	177088-06160	CIRCLIP	1							
17	2	177088-06110	HOLDER	1							
18	2	177088-06100	CONNECTOR, HOLDER	1							
19	2	22117-060000	WASHER 6	1							
20	2	26716-060002	NUT 6	1							



(A)=KM3A (D)=  
 (B)= (E)=  
 (C)= (F)=

Fig.96.TOOL(OPTIONAL)

Fig. **96** 工具(オプション)  
 TOOL (OPTIONAL)

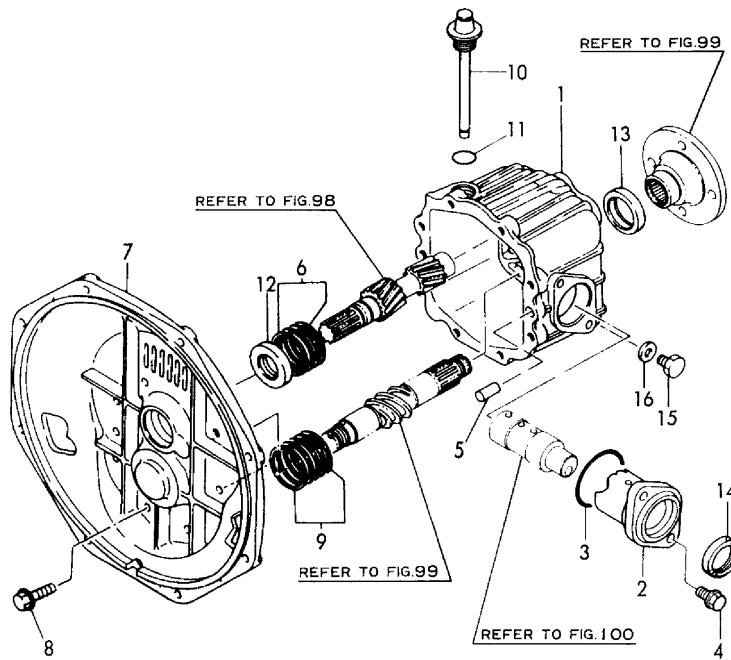


REF.	LEV.	PARTS NO.	DESCRIPTION	QTY						I	R
				(A)	(B)	(C)	(D)	(E)	(F)		
1	1	177088-09010	TOOLS ASSY	1							
2	2	177088-09020	TOOL A	1							
3	2	177088-09030	TOOL B	1							
4	2	177088-09040	BRACKET	1							
5	2	177088-09050	RETAINER	1							
6	2	177088-09060	PIN	1							
7	2	177088-09070	PLATE	2							
8	2	177088-09080	BOLT ASSY	1							
9	3	177088-09090	BOLT	1							
10	3	26736-100002	NUT M10	1							
11	2	22487-060240	PIN 6X 24	3							
12	2	22414-160120	COTTER PIN 1.6X12	4							
13	2	26646-040352	WING BOLT	1							
14	1	177088-09150	TOOL, DRIVE	1							
15	1	177088-09160	JIG, LEVER LOCATING	1							

Fig.97.CLUTCH HOUSING

(A)=KM3P (D)=  
 (B)= (E)=  
 (C)= (F)=

Fig. **97** クラッチケース  
 CLUTCH HOUSING

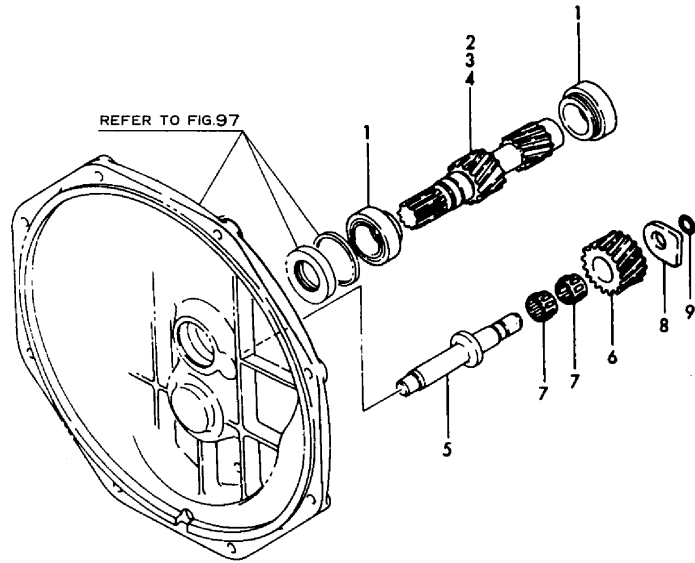


REF.	LEV.	PARTS NO.	DESCRIPTION	QTY						I	R
				(A)	(B)	(C)	(D)	(E)	(F)		
1	1	177070-02012	HOUSING, CLUTCH	1							
2	1	177088-02120	COVER, SIDE	1							
3	1	24321-000400	O-RING 1A G-40.0	1							
4	1	26013-080252	BOLT M 8X 25	2							
5	1	22312-100160	PARALLEL PIN 10X16	2							
6	1	177088-02350	SHIM SET	1							
7	1	177070-02031	FLANGE, CLUTCH	1							
8	1	26106-080252	BOLT M 8X 25 PLATED	8							
9	1	177088-02300	SHIM SET	1							
10	1	177088-02451	DIPSTICK, LUB. OIL	1							
11	1	24311-000180	O-RING 1A P-18.0	1							
12	1	177088-02950	SEAL SC25 40 8, OIL	1							
13	1	177088-02961	SEAL MHA34 44 8,OIL	1							
14	1	24421-284008	SEAL TC28 40 08, OIL	1							
15	1	23887-100002	PLUG 10	1							
16	1	23414-100000	GASKET 10, ROUND	1							

(A)=KM3P (D)=  
 (B)= (E)=  
 (C)= (F)=

Fig.98.INPUT SHAFT & SUPPORT SHAFT

Fig. **98** インพุットシャフト & サポートシャフト  
 INPUT SHAFT & SUPPORT SHAFT

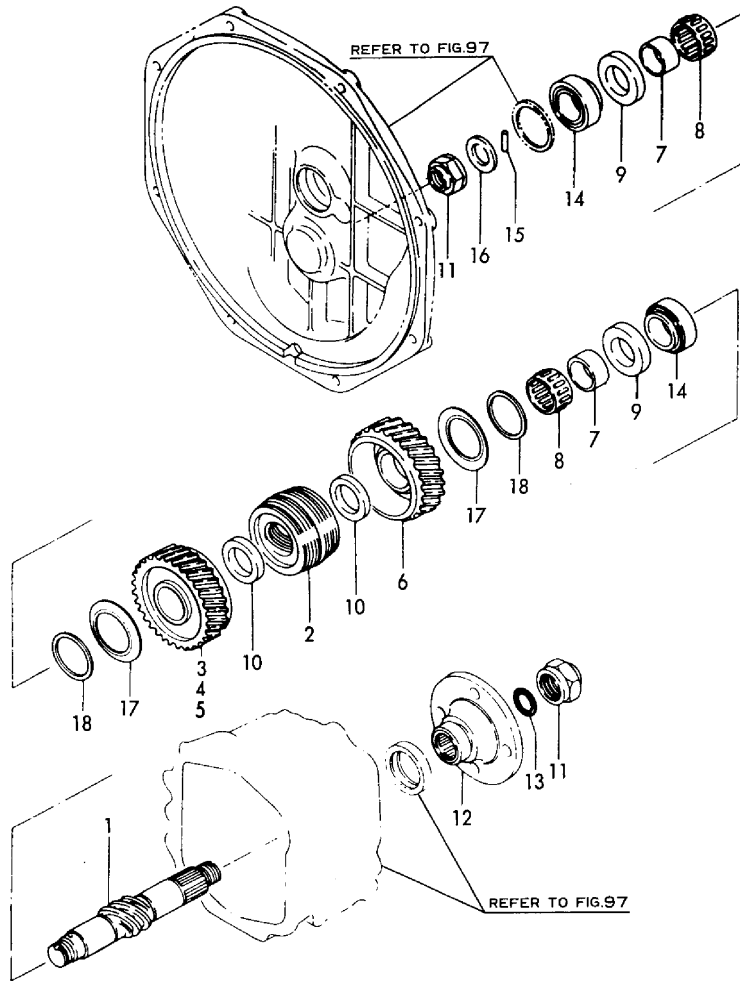


REF.	LEV.	PARTS NO.	DESCRIPTION	QTY						I	R
				(A)	(B)	(C)	(D)	(E)	(F)		
1	1	177088-03400	ROLLER BERING	2							
2	1	177070-03031	SHAFT, INPUT I=2.36	1							
3	1	177070-03011	SHAFT, INPUT I=2.61	1							
4	1	177070-03021	SHAFT, INPUT I=3.20	1							
5	1	177070-03302	SHAFT, IDLE GEAR	1							
6	1	177088-03311	GEAR (Z=26), IDLE	1							
7	1	177088-03331	NEEDLE BERG.#K162213	2							
8	1	177088-03341	WASHER, THRUST	1							
9	1	24341-000120	O-RING 1A S-12.0	1							

Fig.99.OUTPUT SHAFT

(A)=KM3P (D)=  
 (B)= (E)=  
 (C)= (F)=

Fig. 99 アウトプットシャフト  
 OUTPUT SHAFT

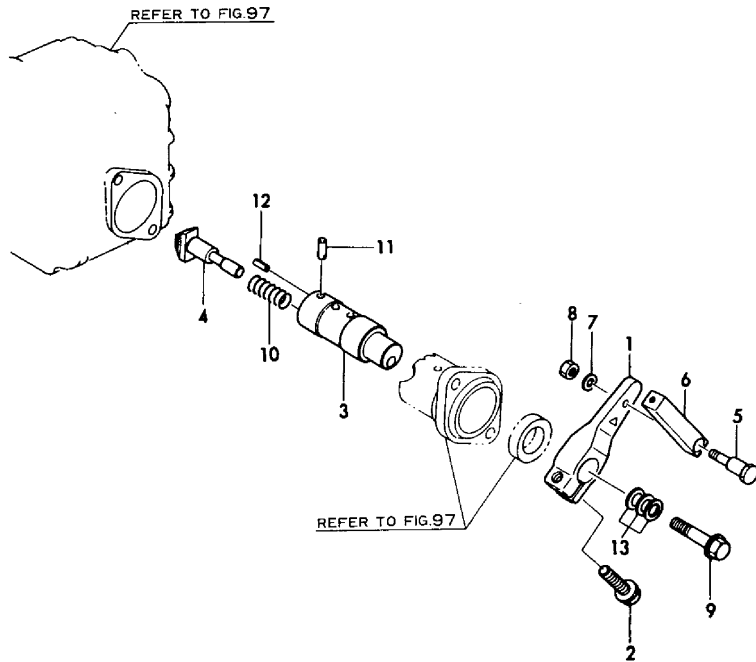


REF.	LEV.	PARTS NO.	DESCRIPTION	QTY						I	R	
				(A)	(B)	(C)	(D)	(E)	(F)			
1	1	177070-03041	SHAFT,OUTPUT	1								
2	1	177070-03071	CONE,DRIVE	1								
3	1	177070-03131	GEAR,FORWARD 59	1								
4	1	177070-03112	GEAR,FORWARD 60	1								
5	1	177070-03122	GEAR,FORWARD 64	1								
6	1	177070-03112	GEAR,FORWARD 60	1								
7	1	177070-03190	RACE, BEARING INNER	2								
8	1	177070-03200	NEEDLE BEARING	2								
9	1	177070-03231	COLLAR (A), THRUST	2								
10	1	177070-03250	COLLAR (B), THRUST	2								
11	1	177088-03272	NUT	2								
12	1	177070-03550	COUPLING, OUTPUT	1								
13	1	24311-000210	O-RING 1A P-21.0	1								
14	1	24141-302050	ROLLER BEARING	2								
15	1	177088-03290	PIN 4D-22L	1								
16	1	177088-03280	COLLAR 32D-45T	1								
17	1	177088-03540	SPRING	2								
18	1	177073-03340	RETAINER	2								

Fig.100.REMOTE CONTROL DEVICE

(A)=KM3P (D)=  
 (B)= (E)=  
 (C)= (F)=

Fig. 100 操縦装置  
 REMOTE CONTROL DEVICE

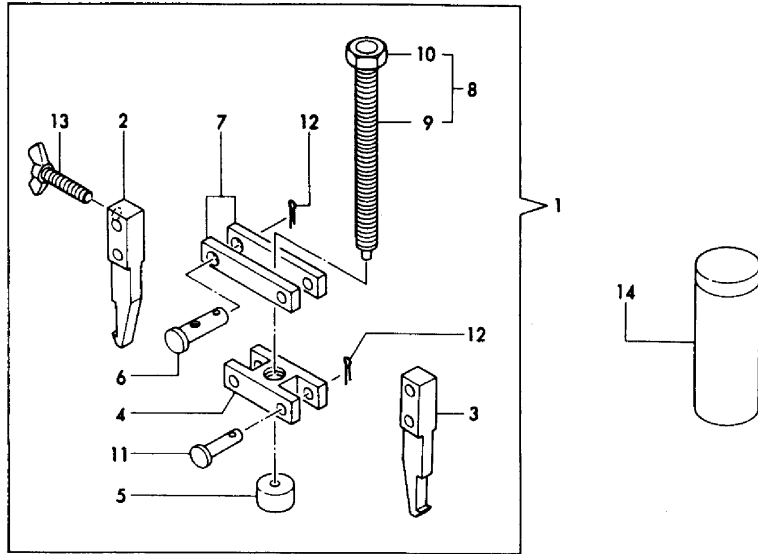


REF.	LEV.	PARTS NO.	DESCRIPTION	QTY						I	R
				(A)	(B)	(C)	(D)	(E)	(F)		
1	1	177088-06400	LEVER	1							
2	1	26106-080252	BOLT M 8X 25 PLATED	1							
3	1	177088-06350	SHAFT, CONTROL	1							
4	1	177088-06390	SHIFTER	1							
5	1	177088-06101	CONNECTOR	1							
6	1	177088-06410	HOLDER	1							
7	1	22137-060000	WASHER 6, POLISHED	1							
8	1	26716-060002	NUT 6	1							
9	1	177088-06360	BOLT	1							
10	1	177088-06370	SPRING	1							
11	1	196322-06610	PIN 5X18	1							
12	1	22351-020012	SPRING PIN 2X 12	1							
13	1	177088-06380	SHIM SET	1							

Fig.101.TOOL(OPTIONAL)

(A)=KM3P (D)=  
 (B)= (E)=  
 (C)= (F)=

Fig. 101 工具(オプション)  
 TOOL (OPTIONAL)

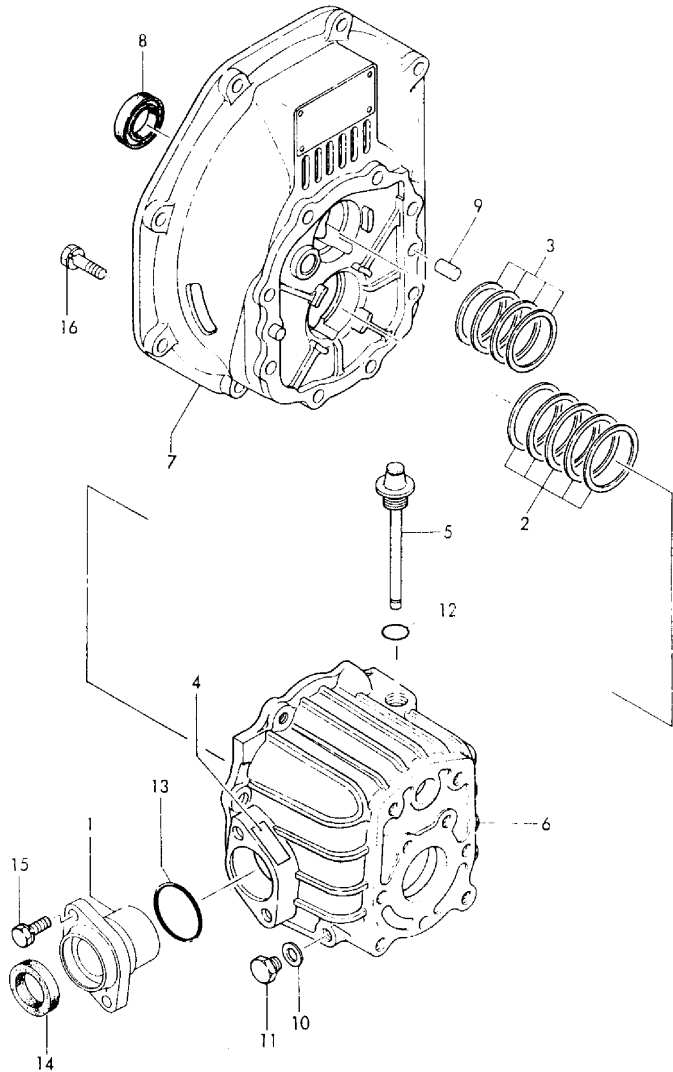


REF.	LEV.	PARTS NO.	DESCRIPTION	QTY						I	R
				(A)	(B)	(C)	(D)	(E)	(F)		
1	1	177088-09010	TOOLS ASSY	1							
2	2	177088-09020	TOOL A	1							
3	2	177088-09030	TOOL B	1							
4	2	177088-09040	BRACKET	1							
5	2	177088-09050	RETAINER	1							
6	2	177088-09060	PIN	1							
7	2	177088-09070	PLATE	2							
8	2	177088-09080	BOLT ASSY	1							
9	3	177088-09090	BOLT	1							
10	3	26736-100002	NUT M10	1							
11	2	22487-060240	PIN 6X 24	3							
12	2	22414-160120	COTTER PIN 1.6X12	4							
13	2	26646-040352	WING BOLT	1							
14	1	177088-09150	TOOL, DRIVE	1							

Fig.102.CLUTCH HOUSING

(A)=KM3V (D)=  
 (B)= (E)=  
 (C)= (F)=

Fig. **102** クラッチケース  
 CLUTCH CASE

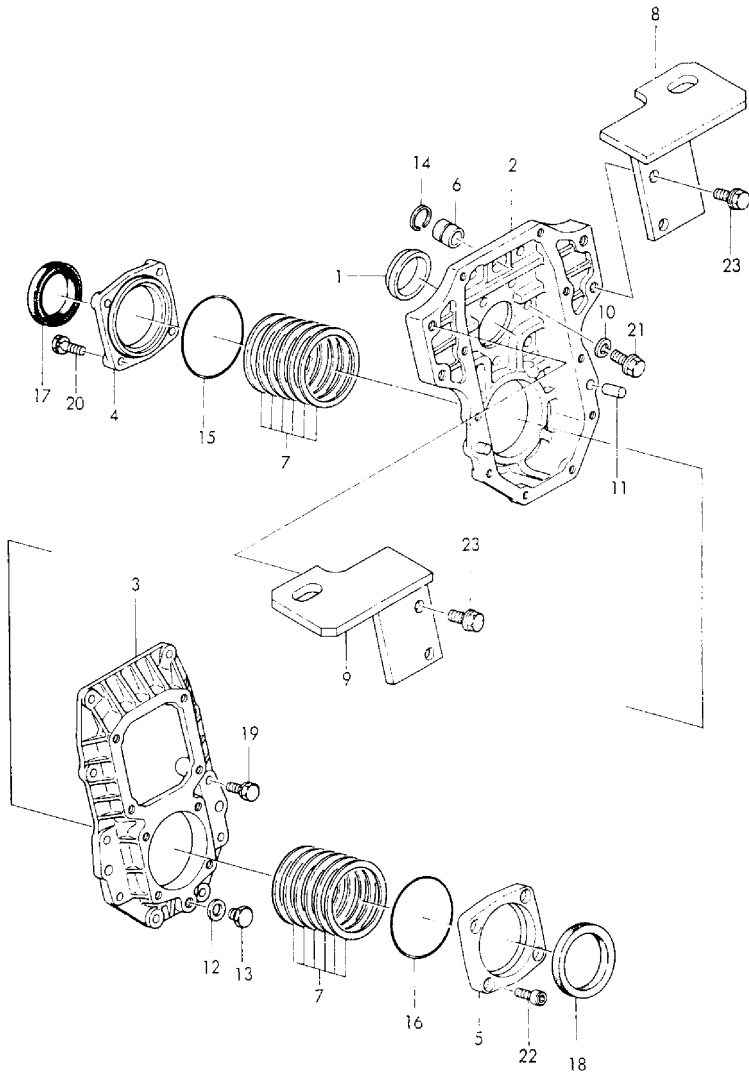


REF.	LEV.	PARTS NO.	DESCRIPTION	QTY						I	R
				(A)	(B)	(C)	(D)	(E)	(F)		
1	1	177088-02120	COVER, SIDE	1							
2	1	177088-02300	SHIM SET	1							
3	1	177088-02350	SHIM SET	1							
4	1	177088-02430	LABEL	1							
5	1	177088-02451	DIPSTICK, LUB. OIL	1							
6	1	177070-02511	CASE	1							
7	1	177070-02520	FLANGE	1							
8	1	177088-02950	SEAL SC25 40 8, OIL	1							
9	1	22312-100160	PARALLEL PIN 10X16	2							
10	1	23414-100000	GASKET 10, ROUND	1							
11	1	23887-100002	PLUG 10	1							
12	1	24311-000180	O-RING 1A P-18.0	1							
13	1	24321-000400	O-RING 1A G-40.0	1							
14	1	24421-284008	SEAL TC28 40 08, OIL	1							
15	1	26013-080252	BOLT M 8X 25	2							
16	1	26016-080252	BOLT M 8X 25	8							

Fig.103.V-DRIVE HOUSING

(A)=KM3V (D)=  
 (B)= (E)=  
 (C)= (F)=

Fig. **103** Vドライブケース  
 V-DRIVE HOUSING



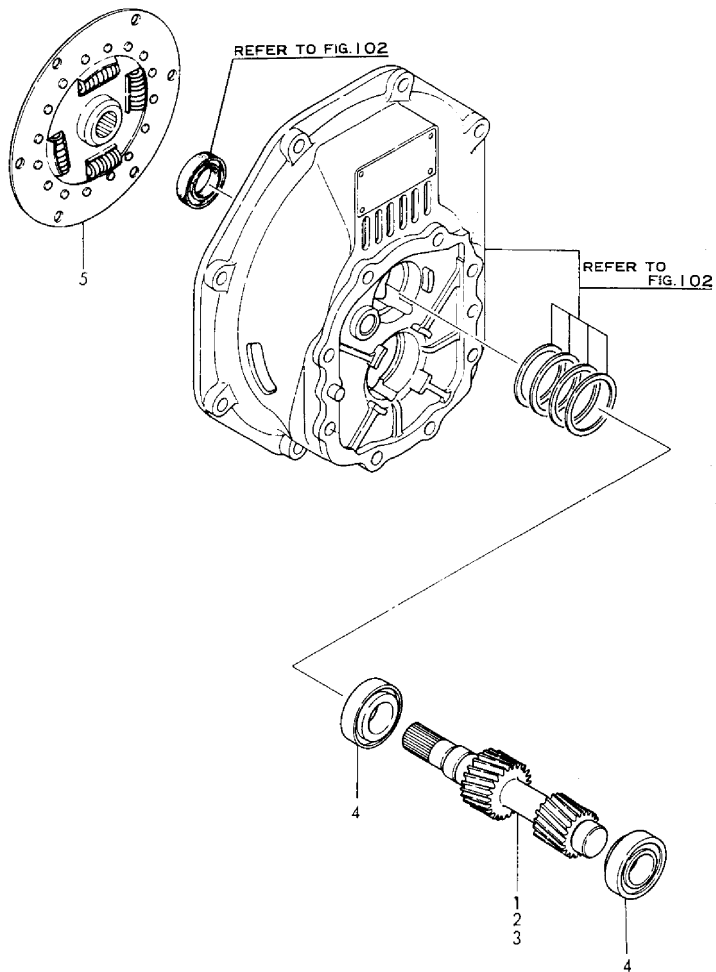
REF.	LEV.	PARTS NO.	DESCRIPTION	QTY						I	R
				(A)	(B)	(C)	(D)	(E)	(F)		
1	1	177070-02680	BUSH	1							
2	1	177070-02801	HOUSING(A), V-DRIVE	1							
3	1	177070-02811	HOUSING(B), V-DRIVE	1							
4	1	177070-02820	COVER(A)	1							
5	1	177070-02830	COVER(B)	1							
6	1	177070-02840	PARALLEL PIN	1							
7	1	177070-02850	SHIM SET	2							
8	1	177070-02900	BRACKET(R)	1							
9	1	177070-02910	BRACKET(L)	1							
10	1	22287-100000	WASHER 10	8							
11	1	22312-100160	PARALLEL PIN 10X16	2							
12	1	23414-100000	GASKET 10, ROUND	1							
13	1	23887-100002	PLUG 10	1							
14	1	24164-000202	CIRCLIP 20-S	1							
15	1	24341-000750	O-RING 1A S-75.0	1							
16	1	24341-000750	O-RING 1A S-75.0	1							
17	1	24421-456209	SEAL TC 456209, OIL	1							
18	1	24421-557209	SEAL TC55 72 09, OIL	1							
19	1	26016-080252	BOLT M 8X 25	10							
20	1	26016-080252	BOLT M 8X 25	4							
21	1	26106-100252	BOLT M10X 25 PLATED	8							
22	1	26450-080202	BOLT M 8X 20	4							
23	1	26106-100252	BOLT M10X 25 PLATED	4							



Fig.104.INPUT SHAFT

(A)=KM3V (D)=  
 (B)= (E)=  
 (C)= (F)=

Fig. **104** インプットシャフト  
 INPUT SHAFT



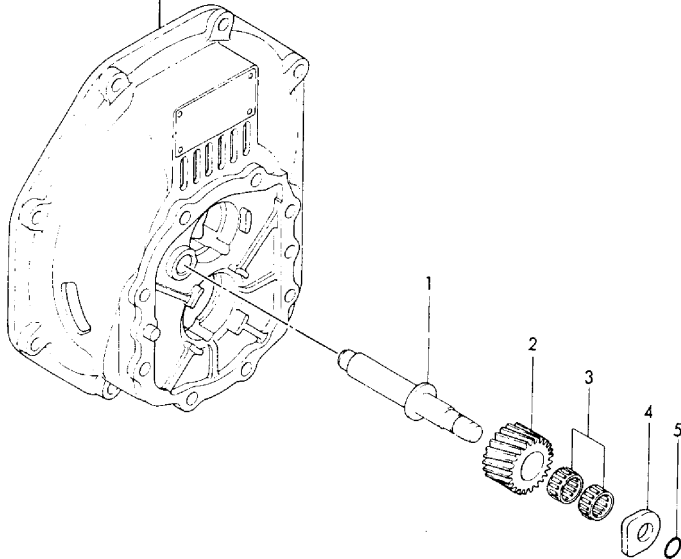
REF.	LEV.	PARTS NO.	DESCRIPTION	Q'TY						I	R
				(A)	(B)	(C)	(D)	(E)	(F)		
1	1	177070-03011	SHAFT, INPUT I=2.61	1							
2	1	177070-03021	SHAFT, INPUT I=3.20	1							
3	1	177070-03031	SHAFT, INPUT I=2.36	1							
4	1	177088-03400	ROLLER BERING	2							
5	1	177070-03500	DISK, DAMPER	1							

Fig.105.SUPPORT SHAFT

(A)=KM3V (D)=  
 (B)= (E)=  
 (C)= (F)=

Fig. **105** サポートシャフト  
 SUPPORT SHAFT

REFER TO FIG.102

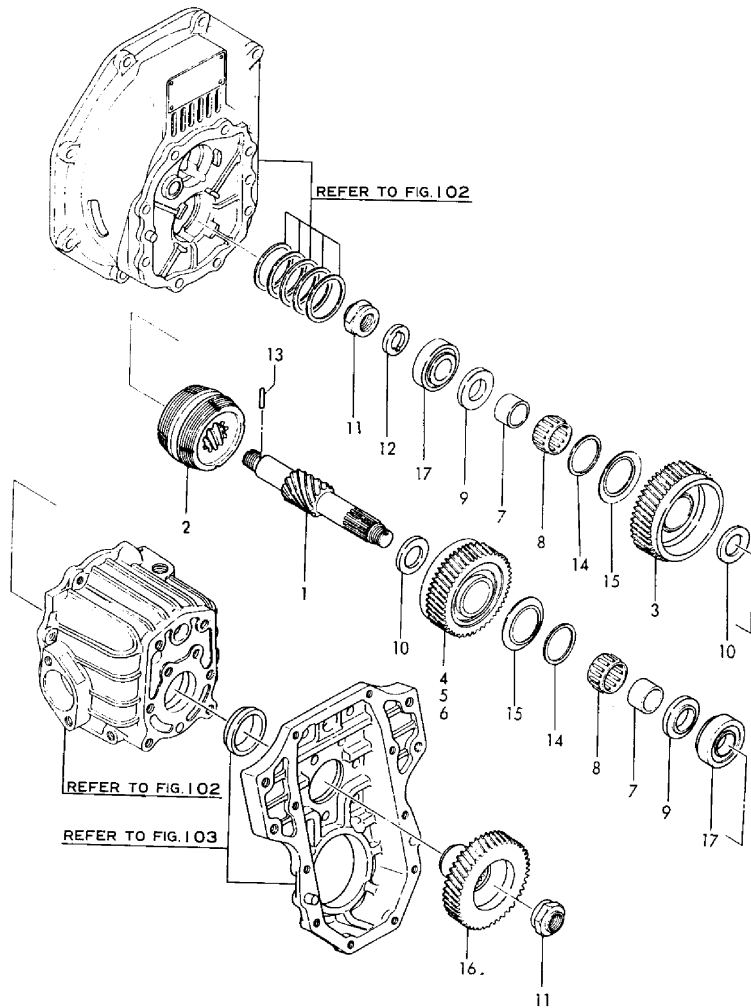


REF.	LEV.	PARTS NO.	DESCRIPTION	QTY						I	R
				(A)	(B)	(C)	(D)	(E)	(F)		
1	1	177070-03302	SHAFT, IDLE GEAR	1							
2	1	177088-03311	GEAR (Z=26), IDLE	1							
3	1	177088-03331	NEEDLE BERG.#K162213	2							
4	1	177088-03341	WASHER, THRUST	1							
5	1	24341-000120	O-RING 1A S-12.0	1							

Fig.106.OUTPUT SHAFT

(A)=KM3V (D)=  
 (B)= (E)=  
 (C)= (F)=

Fig. 106 アウトプットシャフト  
 OUTPUT SHAFT

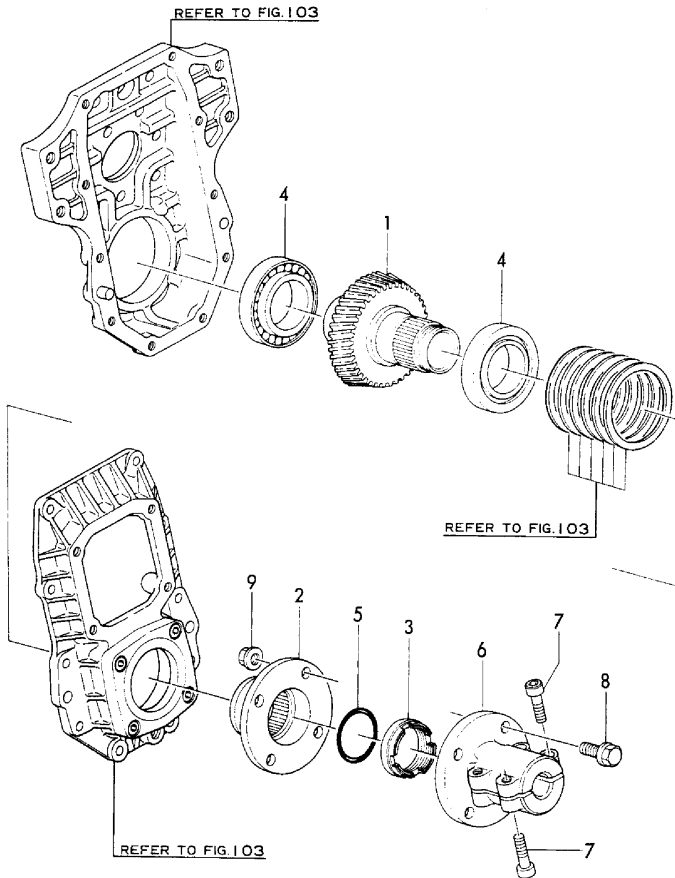


REF.	LEV.	PARTS NO.	DESCRIPTION	QTY						I	R
				(A)	(B)	(C)	(D)	(E)	(F)		
1	1	177070-03041	SHAFT,OUTPUT	1							
2	1	177070-03071	CONE,DRIVE	1							
3	1	177070-03112	GEAR,FORWARD 60	1							
4	1	177070-03112	GEAR,FORWARD 60	1							
5	1	177070-03122	GEAR,FORWARD 64	1							
6	1	177070-03131	GEAR,FORWARD 59	1							
7	1	177070-03190	RACE, BEARING INNER	2							
8	1	177070-03200	NEEDLE BEARING	2							
9	1	177070-03231	COLLAR (A), THRUST	2							
10	1	177070-03250	COLLAR (B), THRUST	2							
11	1	177088-03272	NUT	2							
12	1	177088-03280	COLLAR 32D-45T	1							
13	1	177088-03290	PIN 4D-22L	1							
14	1	177073-03340	RETAINER	2							
15	1	177088-03540	SPRING	2							
16	1	177070-03600	GEAR Z46	1							
17	1	24141-302050	ROLLER BEARING	2							

Fig.107.V-DRIVE SHAFT

(A)=KM3V (D)=  
 (B)= (E)=  
 (C)= (F)=

Fig. 107 Vドライブシャフト  
 V-DRIVE SHAFT



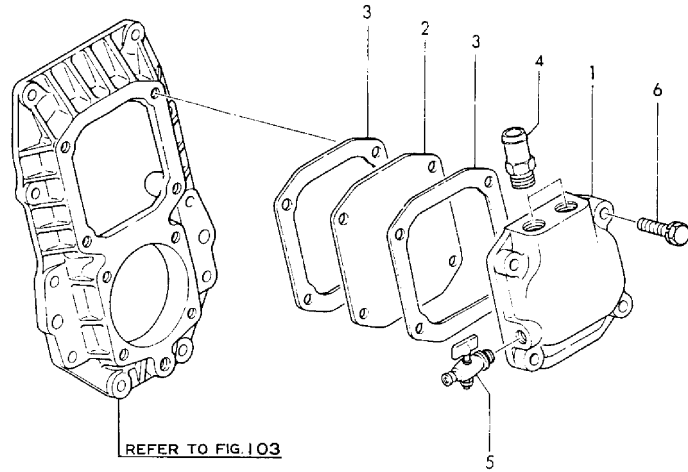
REF.	LEV.	PARTS NO.	DESCRIPTION	QTY						I	R
				(A)	(B)	(C)	(D)	(E)	(F)		
1	1	177070-03610	V-DRIVE SHAFT Z46	1							
2	1	177070-03620	COUPLING	1							
3	1	177070-03630	LOCK NUT	1							
4	1	24141-320090	BEARING	2							
5	1	24321-000400	O-RING 1A G-40.0	1							
6	1	104214-83980	COUPLING (20), SLIT	1							1
7	1	26206-100302	BOLT M10X30	4							1
8	1	26450-080302	BOLT M 8X 30	4							1
9	1	26706-100002	NUT M10	4							1

Remarks  
 1) OPTIONAL

Fig.108.LUB. OIL COOLER

(A)=KM3V (D)=  
 (B)= (E)=  
 (C)= (F)=

Fig. **108** 潤滑油クーラ  
 LUB.OIL COOLER

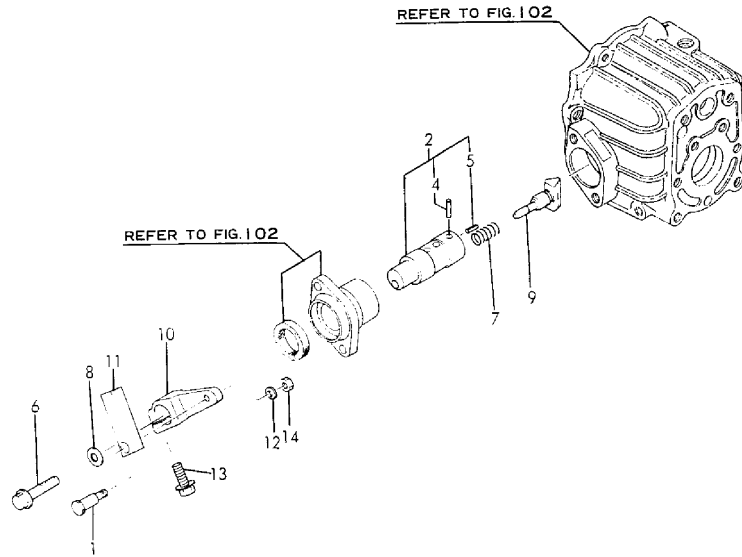


REF.	LEV.	PARTS NO.	DESCRIPTION	Q'TY						I	R
				(A)	(B)	(C)	(D)	(E)	(F)		
1	1	177070-04250	BODY, COOLER	1							
2	1	177070-04260	PLATE, COOLER	1							
3	1	177070-04270	GASKET	2							
4	1	177070-04280	JOINT	2							
5	1	128695-44090	COCK PT1/8	1							
6	1	26016-080352	BOLT M 8X 35	4							

Fig.109.REMOTE CONTROL DEVICE

(A)=KM3V (D)=  
 (B)= (E)=  
 (C)= (F)=

Fig. 109 操縦装置  
 REMOTE CONTROL DEVICE

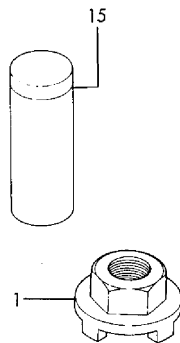
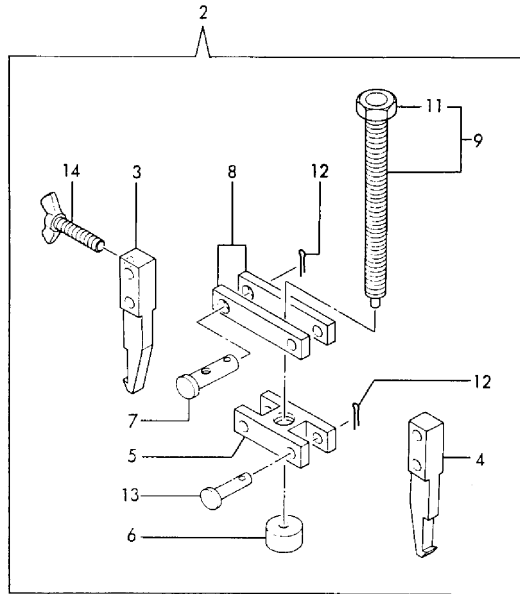


REF.	LEV.	PARTS NO.	DESCRIPTION	Q'TY						I	R
				(A)	(B)	(C)	(D)	(E)	(F)		
1	1	177088-06101	CONNECTOR	1							
2	1	177088-06340	SHAFT ASSY	1							
4	2	196322-06610	PIN 5X18	1							
5	2	22351-020012	SPRING PIN 2X 12	1							
6	1	177088-06360	BOLT	1							
7	1	177088-06370	SPRING	1							
8	1	177088-06380	SHIM SET	1							
9	1	177088-06390	SHIFTER	1							
10	1	177088-06400	LEVER	1							
11	1	177088-06410	HOLDER	1							
12	1	22137-060000	WASHER 6, POLISHED	1							
13	1	26106-080252	BOLT M 8X 25 PLATED	1							
14	1	26716-060002	NUT 6	1							

Fig.110.TOOL(OPTIONAL)

(A)=KM3V (D)=  
 (B)= (E)=  
 (C)= (F)=

Fig. 110 工具(オプション)  
 TOOL (OPTIONAL)



REF.	LEV.	PARTS NO.	DESCRIPTION	Q'TY						I	R
				(A)	(B)	(C)	(D)	(E)	(F)		
1	1	177070-09010	TOOL	1							
2	1	177088-09010	TOOLS ASSY	1							
3	2	177088-09020	TOOL A	1							
4	2	177088-09030	TOOL B	1							
5	2	177088-09040	BRACKET	1							
6	2	177088-09050	RETAINER	1							
7	2	177088-09060	PIN	1							
8	2	177088-09070	PLATE	1							
9	2	177088-09080	BOLT ASSY	1							
11	3	26736-100002	NUT M10	1							
12	2	22417-160120	COTTER PIN 1.6X12	4							
13	2	22487-060240	PIN 6X 24	3							
14	2	26646-040352	WING BOLT	1							
15	1	177088-09150	TOOL, DRIVE	1							

