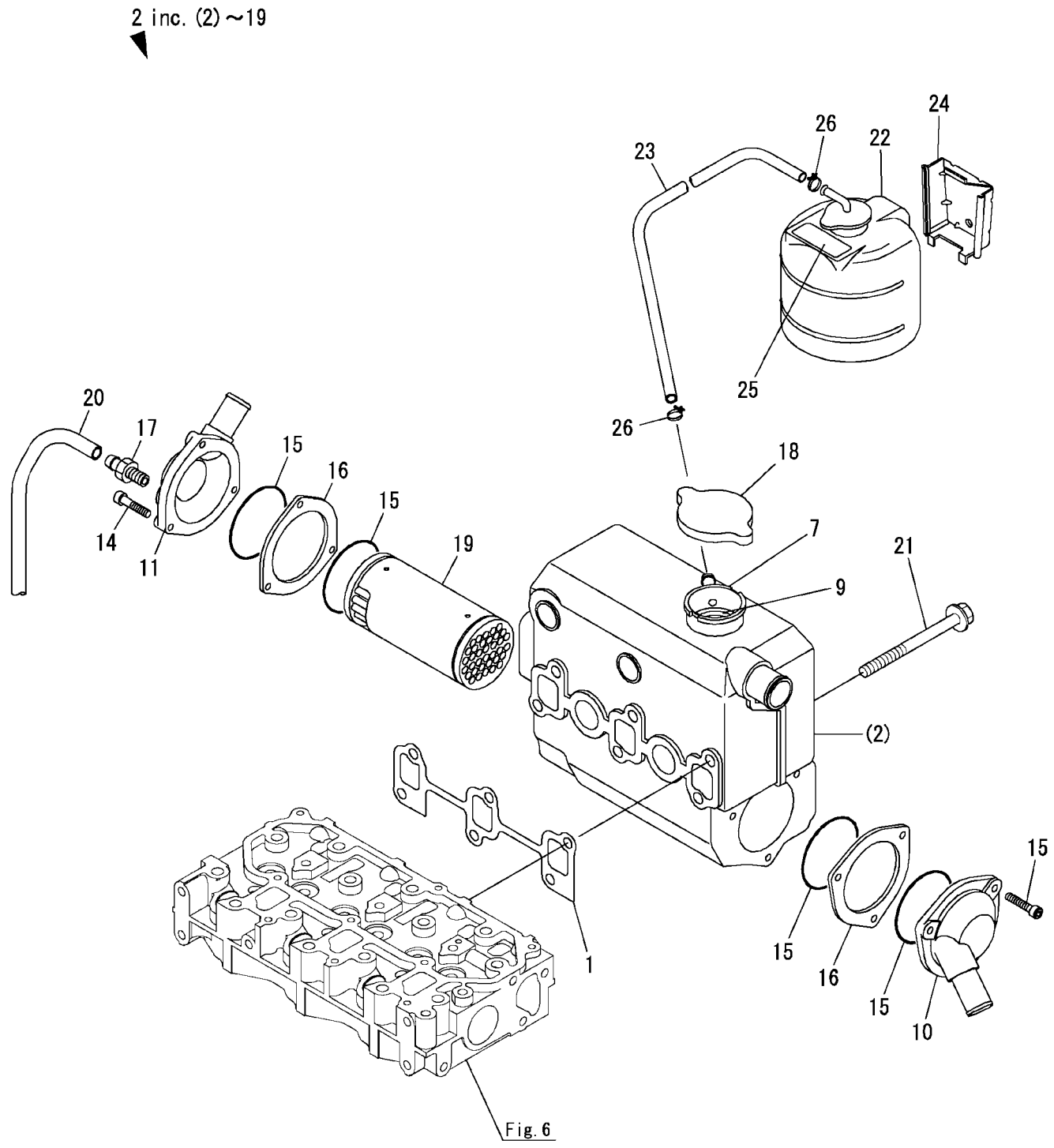


Fig.15. COOLING FRESH WATER COOLER

(A)=3YM30
(B)=
(C)=

(D)=
(E)=
(F)=



| REF. | LEV. | PARTS NO. | DESCRIPTION | Q'TY | | | | | | I | R |
|------|------|--------------|----------------------|------|-----|-----|-----|-----|-----|---|---|
| | | | | (A) | (B) | (C) | (D) | (E) | (F) | | |
| 1 | 1 | 119717-13110 | GASKET, MANIFOLD | 1 | | | | | | | |
| 2 | 1 | 128990-44900 | EXCHANGER ASSY, HEAT | 1 | | | | | | | |
| 7 | 3 | 129673-44110 | FILLER NECK | 1 | | | | | | | |
| 9 | 3 | 129673-44150 | TUBE D28.5X1.5 LG6 | 1 | | | | | | | |
| 10 | 2 | 128990-44070 | BONNET, INLET | 1 | | | | | | | |
| 11 | 2 | 128990-44080 | BONNET ASSY, OUTLET | 1 | | | | | | | |
| 14 | 2 | 128990-44090 | SCREW, M6X30 | 6 | | | | | | | |
| 15 | 2 | 128990-44100 | O RING D65.6 X 3.53 | 4 | | | | | | | |
| 16 | 2 | 128990-44110 | SPACER | 2 | | | | | | | |
| 17 | 2 | 128990-44120 | DRAIN PLUG | 1 | | | | | | | |
| 18 | 2 | 128990-44130 | CAP 0.95 BAR | 1 | | | | | | | |
| 19 | 2 | 128990-44400 | ELEMENT | 1 | | | | | | | |
| 20 | 1 | 23061-070300 | PIPE 7X 300 | 1 | | | | | | | |
| 21 | 1 | 26106-081152 | BOLT M 8X115 PLATED | 6 | | | | | | | |
| 22 | 1 | 128397-44500 | TANK ASSY, SUB | 1 | | | | | | | |
| 23 | 1 | 129270-44500 | PIPE, OVER FLOW | 1 | | | | | | | |
| 24 | 1 | 128397-44510 | BRACKET, SUB TANK | 1 | | | | | | | |
| 25 | 1 | 129670-44570 | LABEL, SUB-TANK | 1 | | | | | | | |
| 26 | 1 | 23010-013000 | CLAMP 13 | 2 | | | | | | | |