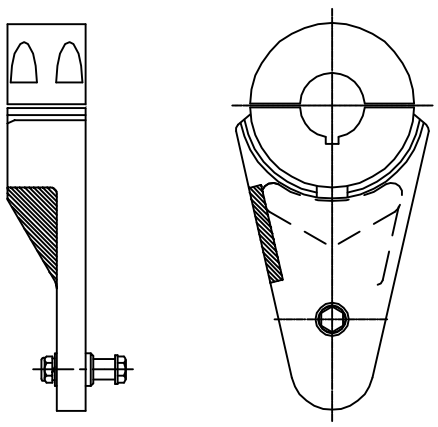


PLATE: WOOD
 LAMINATION: 1. 5 x CSM[®] 450 g/m
 2. 5 x ROW 69^g g/m

1. 3x SCREW M8x50 - DIN 963 4.8
2. 3x NUT M8 - DIN 934 8
3. 3x DISK 9 - DIN 125

PLATE: WOOD
 LAMINATION: 1. 5 x CSM[®] 450 g/m
 2. 5 x ROW 69^g g/m



NOTICE:
 - SEE ALSO DRAWINGS: M4-0288

- M3-0013
- M3-0016
- M3-0025
- M4-0287

03-07-802 PLAN BOER		ELAN	
E 3333	1:2	MARINE	
RUDDER ASSEMBLY		1:1	