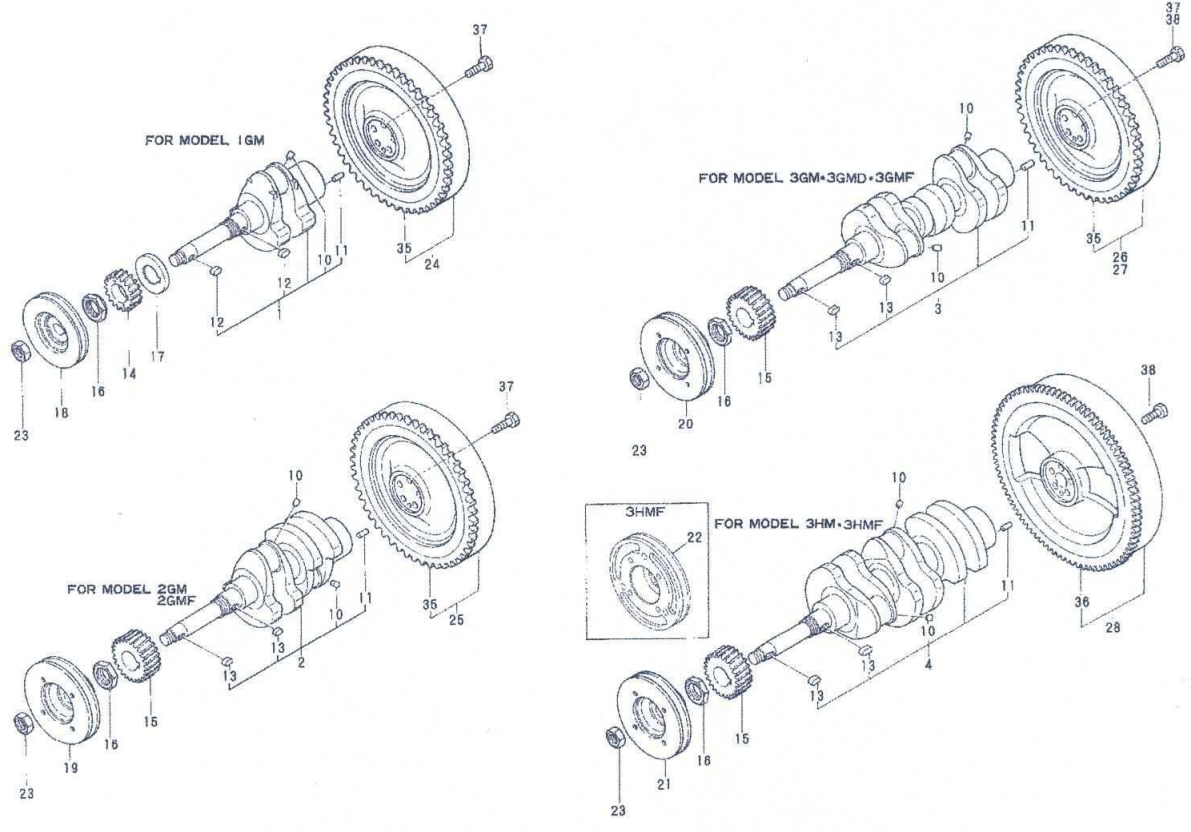


Fig. 18. CRANKSHAFT & FLYWHEEL



Remarks
 (1) INTERCHANGEABLE BY SIMULTANEOUS
 REPLACEMENT WITH REF. NO.2-1,
 19-1,25-1,
 2GMF *1982.01
 (2) 3GMF

18. CRANKSHAFT & FLYWHEEL

REF.	LEV.	PARTS NO.	DESCRIPTION	(A)	(B)	(C)	(D)	(E)	(F)	I	R
1	1	728170-21700	CRANKSHAFT ASSY	1							
2	1	724000-21700	CRANKSHAFT ASSY		1						
2-1	1	724000-21701	CRANKSHAFT ASSY			1					
3	1	721000-21700	CRANKSHAFT ASSY				1				
3A	1	721000-21700	CRANKSHAFT ASSY				1				
3A-1	1	721000-21701	CRANKSHAFT ASSY				1				
4	1	721500-21700	CRANKSHAFT ASSY					1			
10	2	27221-060100	PLUG 6X10	1	2	3	3	3	3		
10-1	2	27221-060140	PLUG 6X14	1	2	3	3	3	3		
		(A=EXXX)	(B=EXXX)	(D=EXXX)	(E=EXXX)	(F=EXXX)	(G=EXXX)	(H=EXXX)	(I=EXXX)		
10-2	2	24190-080001	BALL 1/4, STEEL	1	2	3	3	3	3		
		(A=*1982.05)	(B=*1982.05)	(D=*1982.05)	(E=*1982.05)	(F=*1982.05)	(G=*1982.05)	(H=*1982.05)	(I=*1982.05)		
11	2	22312-080160	PARALLEL PIN 8X 16	1	1	1	1	1	1		
12	2	22512-070120	KEY 7X 12	2							
13	2	22512-070180	KEY 7X 18	2							
14	1	128170-21200	GEAR, CRANKSHAFT	1	2	2	2	2	2		
15	1	129350-21200	GEAR, CRANKSHAFT	1	1	1	1	1	1		
16	1	121450-21540	NUT, CRANK SHAFT GEAR	1	1	1	1	1	1		
17	1	128170-21250	WASHER, THRUST	1	1	1	1	1	1		
18	1	128170-21650	V-PULLEY	1							
19	1	128270-21650	V-PULLEY	1							
19-1	1	128270-21651	V-PULLEY	1							
		(B=E/#04758)									S 1
20	1	128370-21650	V-PULLEY	1							
21	1	128670-21650	V-PULLEY	1							
22	1	128695-21650	V-PULLEY	1							
23	1	26776-180002	NUT M18, LOCK	1	1	1	1	1	1		
24	1	128170-21590	FLYWHEEL W/RING GEAR	1	1	1	1	1	1		
25	1	128270-21590	FLYWHEEL W/RING GEAR	1	1	1	1	1	1		
25-1	1	128270-21591	FLYWHEEL W/RING GEAR	1	1	1	1	1	1		S 1
		(B=E/#04758)									
26	1	128370-21590	FLYWHEEL W/RING GEAR	1							
26A	1	128371-21590	FLYWHEEL W/RING GEAR	1							
27	1	128371-21590	FLYWHEEL W/RING GEAR	1							
28	1	128670-21590	FLYWHEEL W/RING GEAR	1							
35	2	124950-21600	GEAR, RING	1	1	1	1	1	1		
36	2	104211-21600	GEAR, RING	1	1	1	1	1	1		
37	1	121000-21500	BOLT, REAMER	5	5	5	5	5	5		
38	1	121574-21500	BOLT, REAMER	5	5	5	5	5	5		