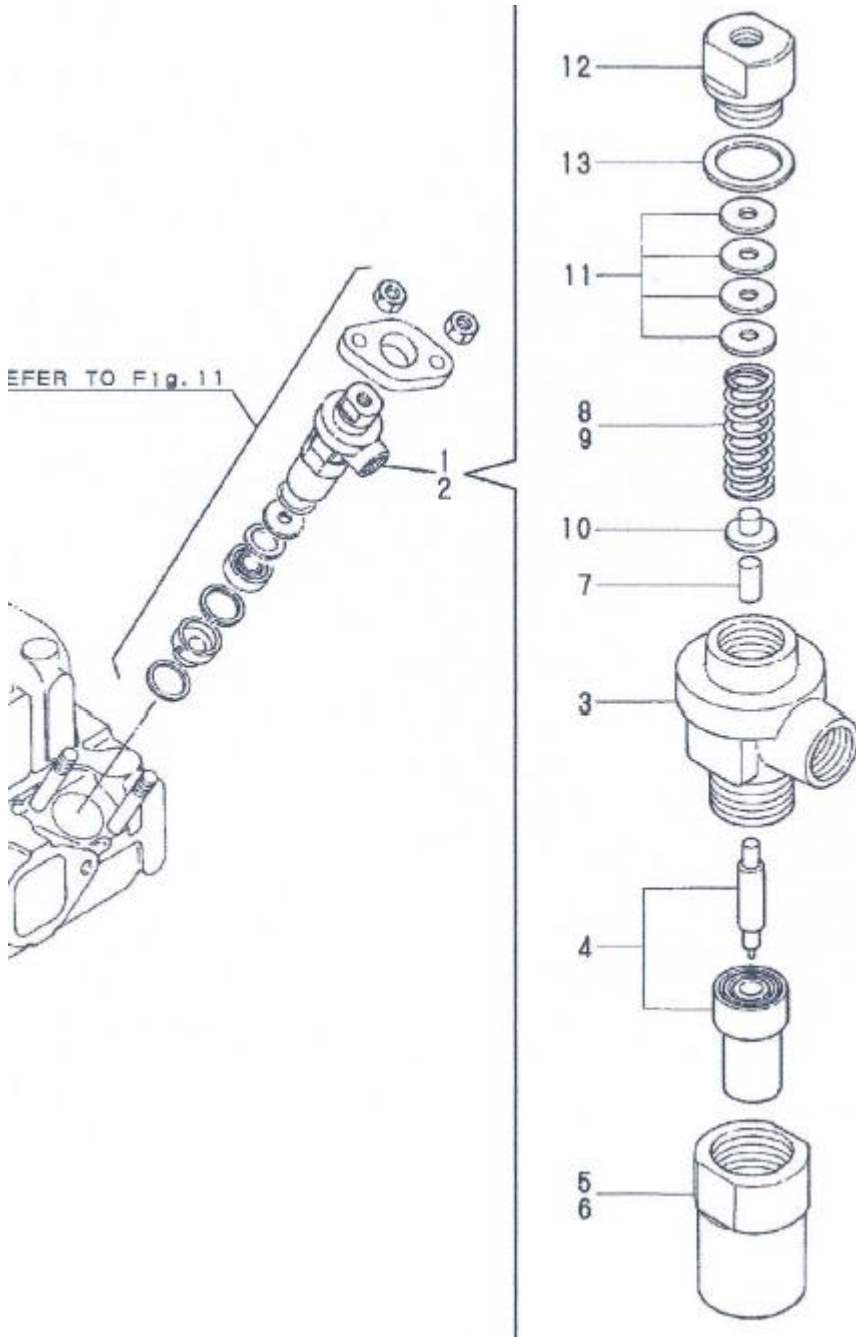


103	24341-000260	o-ring 1a s-26.0	1.68€	<a href="http://www.dieselpartseurope.com/webwinkel/index.php?main_page=product_info&amp;cPath=&amp;products_id=94821">http://www.dieselpartseurope.com/webwinkel/index.php?main_page=product_info&amp;cPath=&amp;products_id=94821</a>
104	128275-11500	cover	5.01€	<a href="http://www.dieselpartseurope.com/webwinkel/index.php?main_page=product_info&amp;cPath=&amp;products_id=14687">http://www.dieselpartseurope.com/webwinkel/index.php?main_page=product_info&amp;cPath=&amp;products_id=14687</a>
100	101147-11490	insulator	5.01€	<a href="http://www.dieselpartseurope.com/webwinkel/index.php?main_page=product_info&amp;products_id=7869">http://www.dieselpartseurope.com/webwinkel/index.php?main_page=product_info&amp;products_id=7869</a>
96	124950-11410	chamber, rear	11.67€	<a href="http://www.dieselpartseurope.com/webwinkel/index.php?main_page=product_info&amp;products_id=12168">http://www.dieselpartseurope.com/webwinkel/index.php?main_page=product_info&amp;products_id=12168</a>
102	128275-11490	insulator	9.07€	<a href="http://www.dieselpartseurope.com/webwinkel/index.php?main_page=product_info&amp;products_id=14686">http://www.dieselpartseurope.com/webwinkel/index.php?main_page=product_info&amp;products_id=14686</a>
98	124950-11450	gasket, chamber	1.91€	<a href="http://www.dieselpartseurope.com/webwinkel/index.php?main_page=product_info&amp;cPath=&amp;products_id=12169">http://www.dieselpartseurope.com/webwinkel/index.php?main_page=product_info&amp;cPath=&amp;products_id=12169</a>
94	121000-11420	chamber, front	64.88€	<a href="http://www.dieselpartseurope.com/webwinkel/index.php?main_page=product_info&amp;cPath=&amp;products_id=65535">http://www.dieselpartseurope.com/webwinkel/index.php?main_page=product_info&amp;cPath=&amp;products_id=65535</a>

REF.	LEV.	PARTS NO.	DESCRIPTION	QTY						I	R
				(A)	(B)	(C)	(D)	(E)	(F)		
102	1	128275-11490	INSULATOR	1	2	3	3	3	3		W
		(A=*1980.11) (B=*1980.11) (C=*1980.11) (D=*1980.11)				(E=*1980.11)			(F=*1980.11)		
103	1	24341-000260	O-RING 1A S-26.0	1	2	3	3				
104	1	128275-11500	COVER	1	2	3	3				W
		(A=*1980.11) (B=*1980.11) (C=*1980.11) (D=*1980.11)									
105	1	128695-11500	COVER					3	3		W
						(E=*1980.11)			(F=*1980.11)		

(A)=1GM (D)=3GMD  
 (B)=2GM(F) (E)=3HM  
 (C)=3GM(F) (F)=3HMF



20902 36.FUEL INJECTION VALVE

(A)=1GM  
(B)=2GM(F)  
(C)=3GM(F)

(D)=3GMD  
(E)=3HM  
(F)=3HMF

REF.	LEV.	PARTS NO.	DESCRIPTION	QTY						I	R
				(A)	(B)	(C)	(D)	(E)	(F)		
1	1	728170-53100	VALVE ASSY, F.INJECT	1	2	3	3				
2	1	724060-53101	VALVE ASSY, F.INJECT					3	3		
3	2	103854-53100	BODY, F.I. VALVE	1	2	3	3	3	3		
4	2	124770-53000	NOZZLE ASSY,F.INJECT	1	2	3	3	3	3		
5	2	128170-53080	HOLDER, VALVE W/CASE	1	2	3	3				
6	2	104200-53080	HOLDER, VALVE W/CASE					3	3		
7	2	113200-53110	SPINDLE, INTER	1	2	3	3	3	3		
8	2	104211-53120	SPRING, NOZZLE	1	2	3	3				
9	2	103854-53120	SPRING, NOZZLE					3	3		
9-1	2	104211-53120	SPRING, NOZZLE					3	3		R
10	2	113200-53120	SHOE, SPRING		(E=EXXX)			(F=EXXX)			
11	2	110250-53150	SHIM SET	1	2	3	3	3	3		
12	2	103854-53180	RETAINER, NOZ.SPRING	1	2	3	3	3	3		
13	2	172100-53200	GASKET	1	2	3	3	3	3		