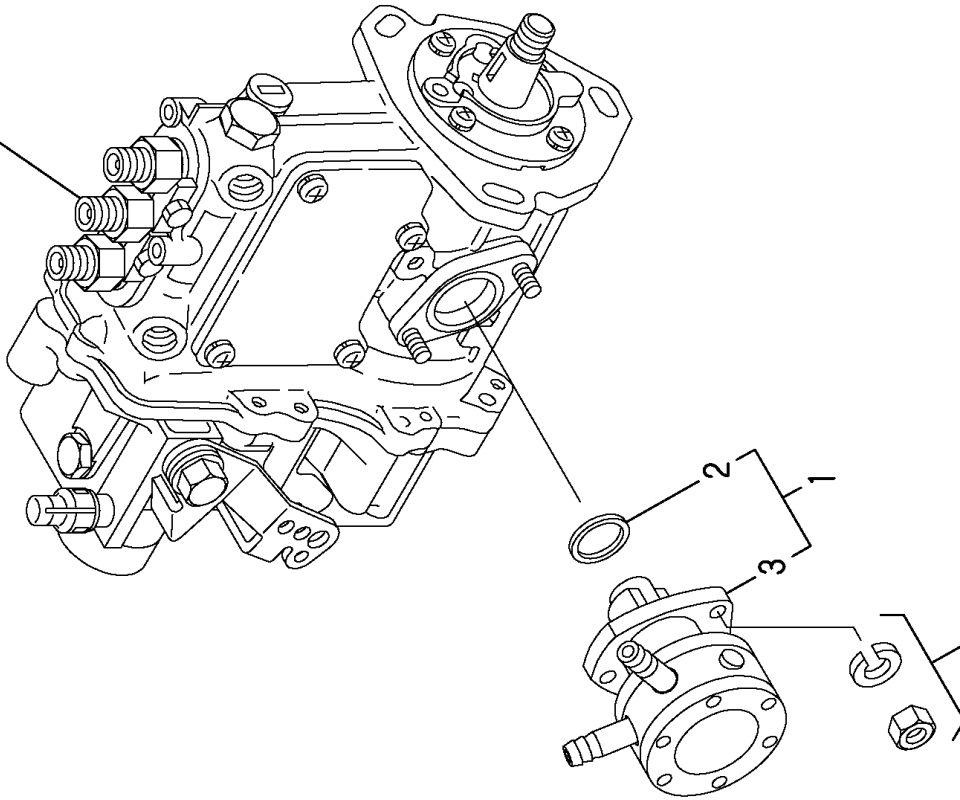


Fig.22. FUEL FEED PUMP

REFER TO Fig. 20



REFER TO Fig. 20

OCR10-G56000 22. FUEL FEED PUMP

(A)=3YM30

(B)=

(C)=

(D)=

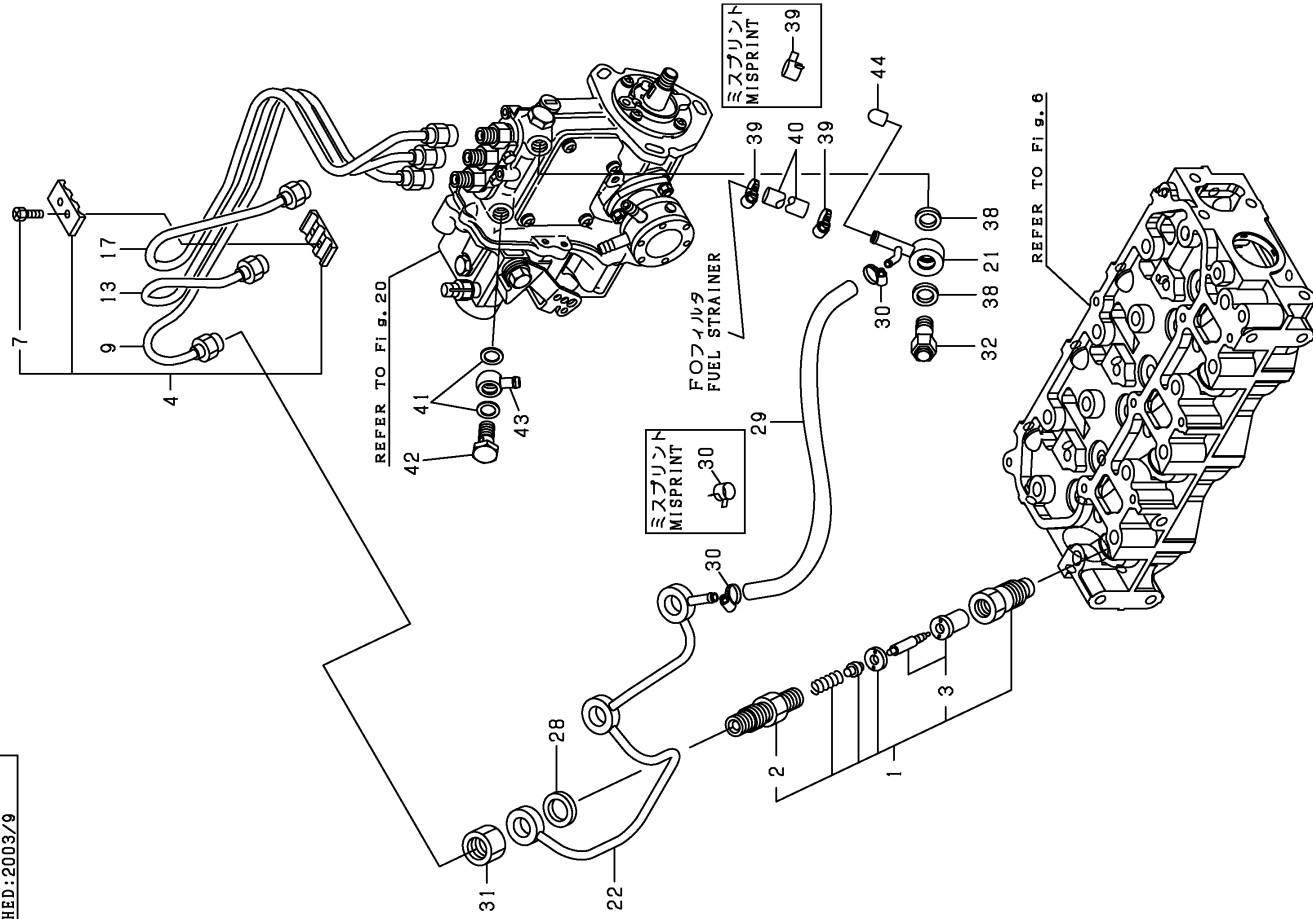
(E)=

(F)=

REF.	LEV.	PARTS NO.	DESCRIPTION	(A)	(B)	(C)	(D)	(E)	(F)	QTY	I	R
1	2	129158-52000	FUEL PUMP ASSY	1								
2	3	129155-52051	GASKET	1								
3	3	129158-52100	FEED PUMP ASSY	1								

Fig.23. FUEL INJECTION VALVE

P/C NEWS No.: Y00R5600-1
 PUBLISHED: 2003/9



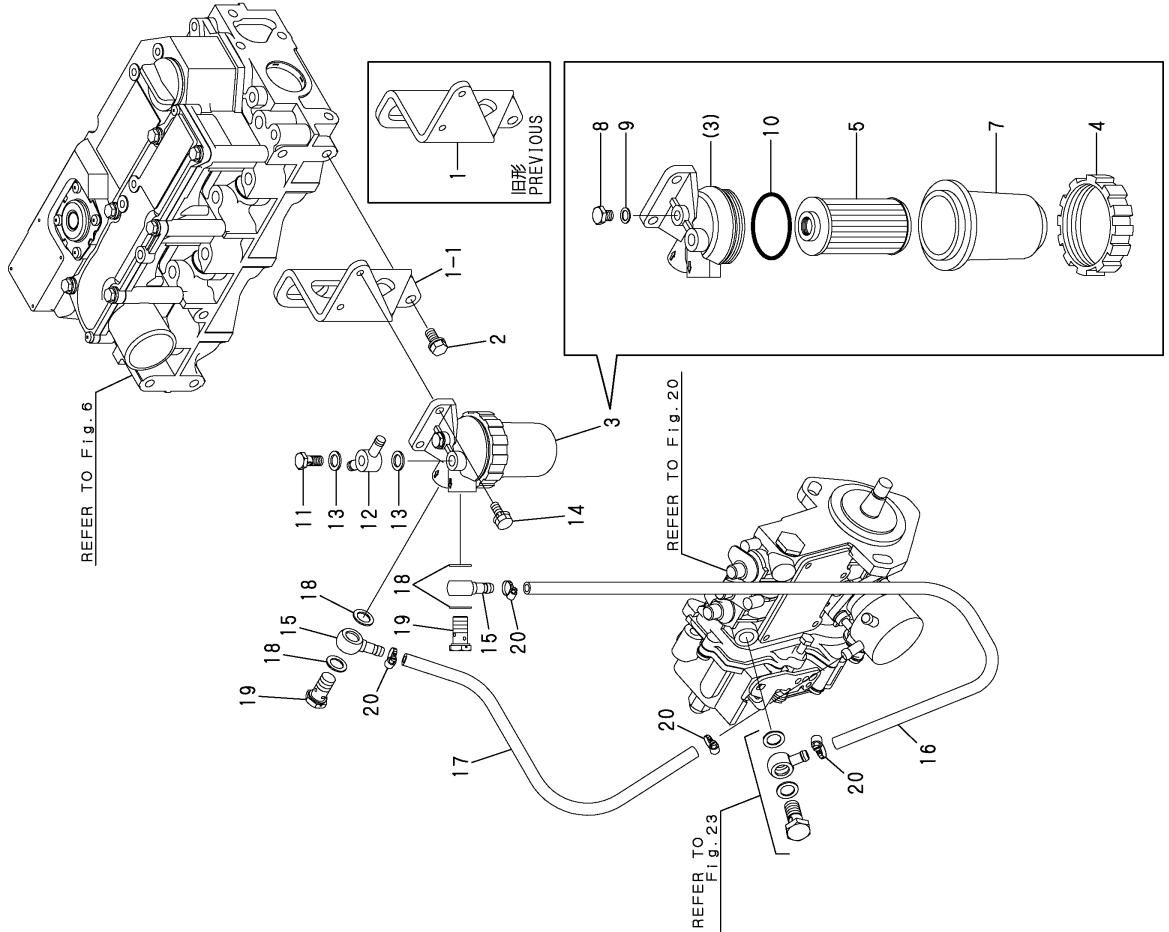
OCR10-G56000 23. FUEL INJECTION VALVE

(A)=3YM30
 (B)=
 (C)=
 (D)=
 (E)=
 (F)=

REF.	LEV.	PARTS NO.	DESCRIPTION	(A)	(B)	(C)	(D)	(E)	(F)	QTY	I	R
1	1	119515-53000	VALVE ASSY, INJECTION							3		
2	2	118200-53010	HOLDER, NOZZLE							3		
3	2	119515-53010	VALVE ASSY, INJECTION							3		
4	1	129150-59120	RETAINER, PIPE							1		
7	2	129150-59131	BOLT M4X14, HEX.SCKT.							2		
9	1	119717-59810	PIPE ASSY, INJECTION							1		
13	1	119717-59820	PIPE ASSY, INJECTION							1		
17	1	119717-59830	PIPE ASSY, INJECTION							1		
21	1	119840-59570	JOINT							1		
22	1	119717-59510	PIPE ASSY, RETURN							1		
28	1	129901-59560	GASKET, RETURN							3		
29	1	119773-59511	PIPE, FUEL							1		
30	1	23000-016000	CLAMP 16							2		
31	1	119620-59700	NUT, NOZZLE RETURN							3		
32	1	119813-59950	VALVE ASSY, CHECK							1		
38	1	22190-120002	SEAL WASHER 12							2		
39	1	23000-016000	CLAMP 16							2		
40	1	128370-59040	PIPE, FUEL OIL							1		
41	1	22190-120002	SEAL WASHER 12							2		
42	1	103854-39140	BOLT, PIPE JOINT							1		
43	1	101304-59020	JOINT, PIPE 12							1		
44	1	119309-59590	CAP, 4.2							4		

Fig.24. FUEL PIPE & FUEL STRAINER

P/C NEWS No.:Y00R6600-3
PUBLISHED:2004/11



OCR10-G56000 24. FUEL PIPE & FUEL STRAINER

(A)=3YM30

(B)=

(C)=

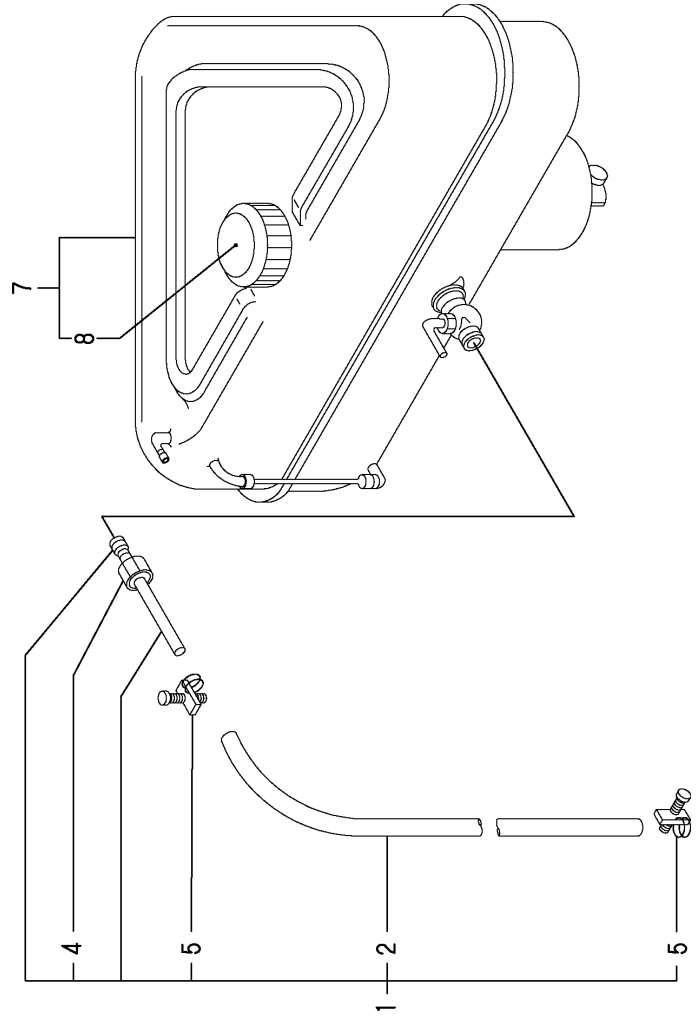
(D)=

(E)=

(F)=

REF.	LEV.	PARTS NO.	DESCRIPTION	(A)	(B)	(C)	(D)	(E)	(F)	QTY	I	R
1	1	128990-55010	BRACKET, FILTER	1								
1	1-1	128990-55011 (A="2004.11)	BRACKET, FILTER	1								N
2	1	26106-080162	BOLT M 8X 16 PLATED	2								
3	1	128990-55600	STRAINER ASSY	1								
4	2	110250-55610	RING, RETAINING	1								
5	2	104500-55710	ELEMENT, STRAINER	1								
7	2	121370-55730	CUP, STRAINER	1								
8	2	101720-55750	PLUG 6	1								
9	2	23418-060000	GASKET 6, NYLON	1								
10	2	24341-000440	O-RING 1A S-44.0	1								
11	1	128990-59150	BOLT, JOINT M8	1								
12	1	128990-59530	JOINT, RETURN	1								
13	1	22190-080002	SEAL WASHER 8S	2								
14	1	26013-060162	BOLT M 6X 16	2								
15	1	104264-59020	JOINT 12, PIPE	2								
16	1	119172-59201	PIPE, FUEL	1								
17	1	129470-59542	PIPE, FUEL OIL	1								
18	1	22190-120002	SEAL WASHER 12	4								
19	1	23857-060000	JOINT BOLT 6, PIPE	2								
20	1	23000-016000	CLAMP 16	4								

(A)=3YM30
 (B)=
 (C)=
 (D)=
 (E)=
 (F)=



REF.	LEV.	PARTS NO.	DESCRIPTION	(A)	(B)	(C)	(D)	(E)	(F)	QTY	I	R
1	1	124070-59060	PIPE ASSY, FUEL OIL	1								
2	2	124070-59130	PIPE, FUEL OIL	1								
4	2	138603-59380	CAP NUT	1								
5	2	23010-014000	CLAMP 14	2								
7	1	83213-003012	TANK ASSY, FUEL OIL	1								
8	2	105430-55041	CAP ASSY, FUEL TANK	1								

Fig.25. FUEL TANK(OPTIONAL)