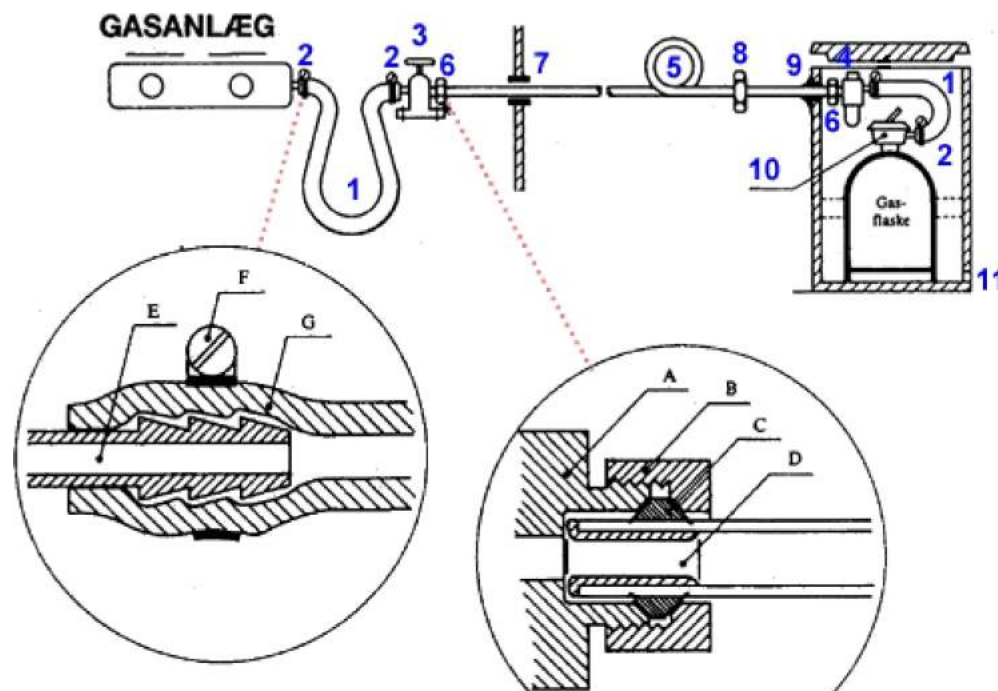




## About gas installations in pleasure boats

All gas installations in Danish boats / ships must comply with the Danish Maritime Authority's rules. All parts and parts of the assembly must be approved (CE and / or DG marked). Installation of the "simple F-gas system" (gas set) in pleasure boats under 24 m must be carried out by an unauthorized, but artisanal competent person = the sailor himself or a competent helper. See the sketch from the Danish Maritime Authority's technical regulation no.



Privacy & Cookies: This site uses cookies. By continuing to use this website, you agree to their use.  
To find out more, including how to control cookies, see here: [Cookie Policy](#)

Close and accept

1. Approved gas hose. May be the Danish with 11.5 mm pitch requiring Danish gas nipple and stainless steel special straps, or the CE approved hoses with fixed, squeezed stainless steel end fittings. Squeezed hoses are a requirement in all new boats after June 1998.
2. Assembly between gas hose and appliance, tap, tester and regulator. Can be gl. Danish type where
  5. is hose nipple with grooves
  6. is stainless steel bolt type (not worm type)
  7. is gas hose for straps. The new CE approved clamped hoses (without straps) are the future and should be used for major renovations, see below 6.
3. Check valve. Must be of the type that clearly indicates whether the tap is closed or open (click taps). Needle valves are no longer allowed and should be replaced.
4. Density Tester / Gas leak tester. Must be used in all Danish ships / boats.
5. Copper pipes. DS el. CE approved "soft" 6/8 mm copper pipe with 0.8 mm goods = 6.4 mm clearing. 6.2 mm support bushing MUST always be used in copper pipes. Length in yachts max. ca. 10 m. There must be a "loop" or equivalent expansion / movement option on the copper pipe.
6. Gaskompressionsfittings. For fixing copper pipes for tap or tester, or with clamped hoses for attaching tubing to appliance, tap and tester and regulator without tension straps.
  1. Stop valve / leakage tester (for clamped hoses also gas appliance and gas regulator).
  2. Throttle nut for gas = heavy nut.
  3. Cutting ring. Is a "loose" brass ring or ring inserted inside the nut (see).
  4. Support bush MUST be used not to deform the copper pipe - but not in brass and steel pipes.
7. Transmission in bulkheads The copper pipe must be protected against wear with silicone rubber
8. Pipe shackles with elastic rubber for protection when fastening copper pipes. Distance approx. 50 cm. Shotguns are similar to a bracket. Metal el. plastic shackles without protection must not be used.
9. Gas tight passage of copper pipe from gas box. Use movable seal, - silicone el
10. Low pressure regulator on the gas bottle which reduces the pressure of the bottle to 30 mbar (300mvp). The CE rules require

Privacy & Cookies: This site uses cookies. By continuing to use this website, you agree to their use.  
To find out more, including how to control cookies, see here: [Cookie Policy](#)

Close and accept