

Fig 1-6
1000 General Exploded View

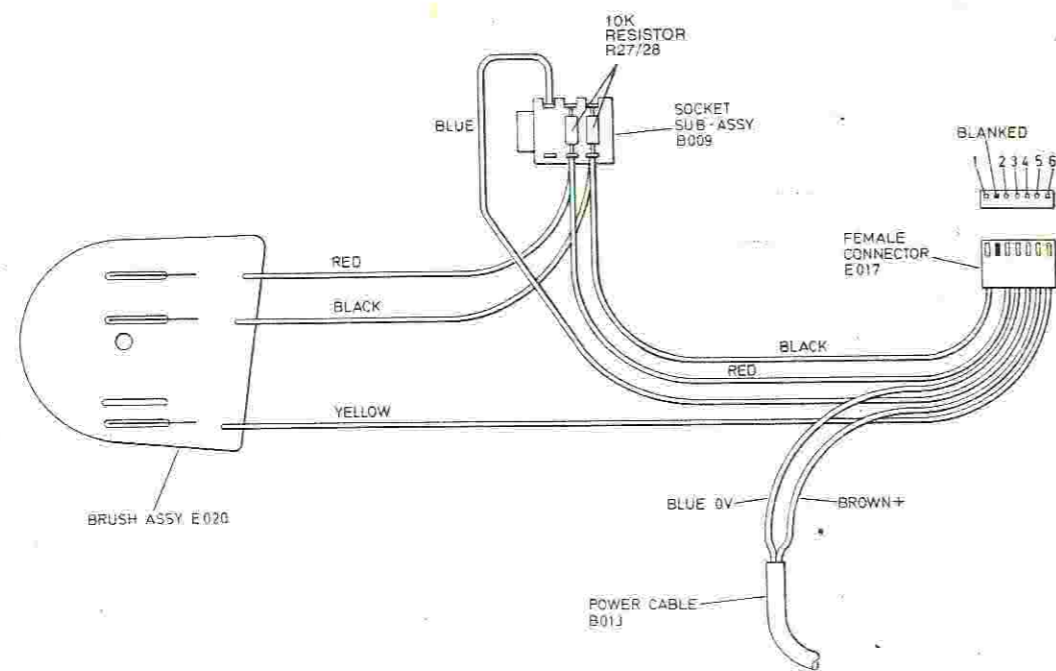


Fig 1-13
 1000 Wiring Diagram

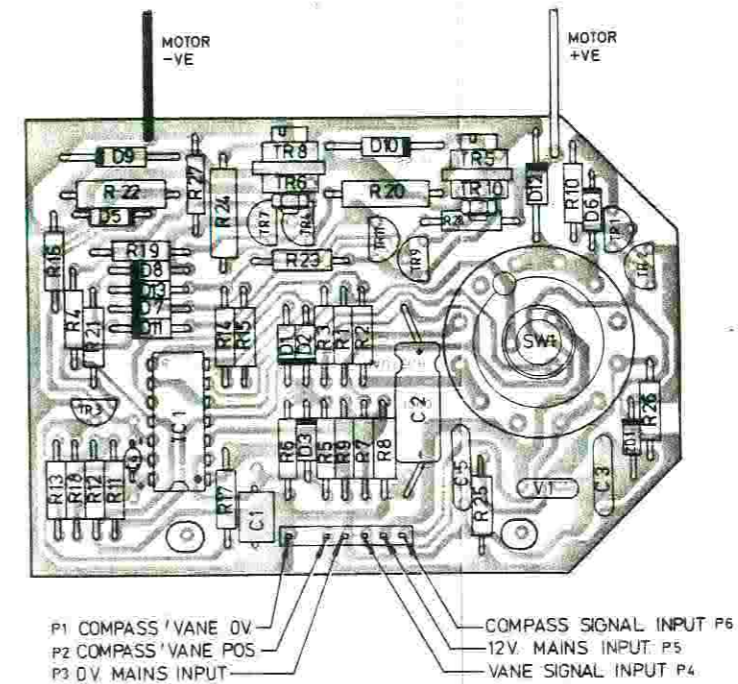


Fig 1-14
 1000 PCB Layout

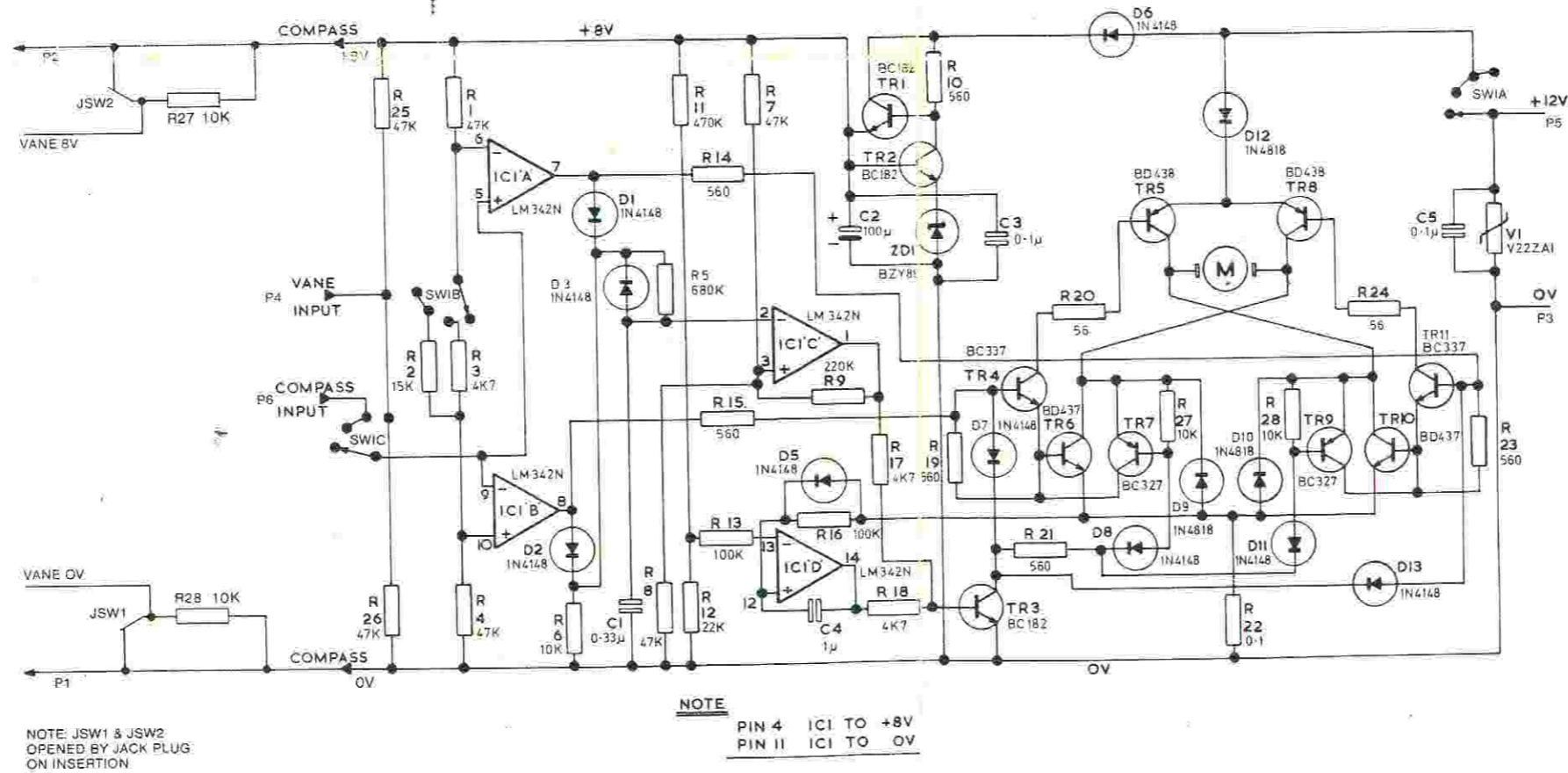


Fig 1-15
 1000 Circuit Diagram

Figures
 1-13, 1-14, 1-15