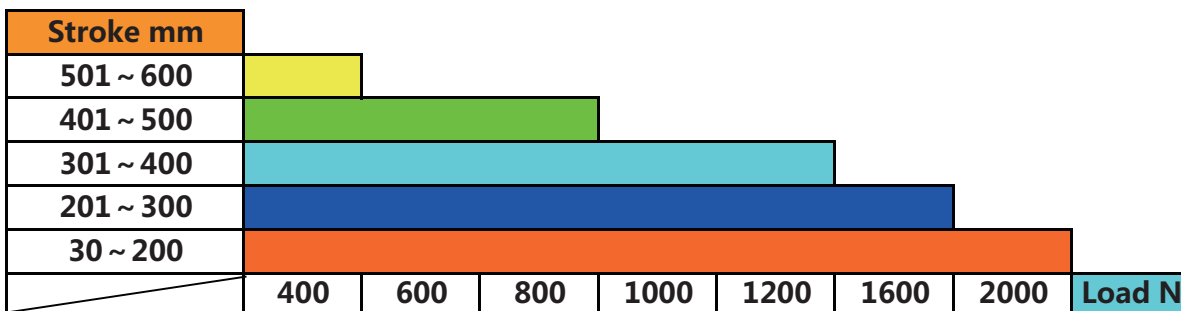




# Table 1.0 Transmission parameters of the code

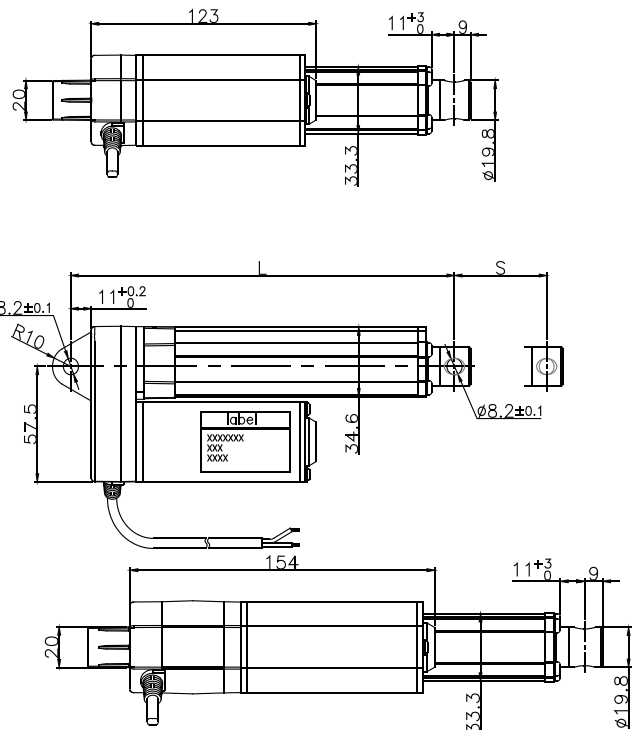
Code	Rating load (N)	Speed (mm/s) ±10%		Current A (Normal temperture)							
				12 V		24 V		36 V		48 V	
		No load	Full load	No load	Full load	No load	Full load	No load	Full load	No load	Full load
A	2000	5	4	1.2	3.5	0.6	2.0	0.4	1.5	0.3	1.0
B	1600	7	5.5	1.2	3.5	0.6	2.0	0.4	1.5	0.3	1.0
C	1200	10	8	1.2	3.5	0.6	2.0	0.4	1.5	0.3	1.0
D	700	18	14	1.2	3.5	0.6	2.0	0.4	1.5	0.3	1.0
E	300	38	30	1.2	3.5	0.7	2.0	0.5	1.5	0.3	1.0
F	1200	8	6	1.5	4.0	0.8	2.5	0.5	1.5	0.3	1.0
G	800	10	8	1.5	4.0	0.8	2.5	0.5	1.5	0.3	1.0
H	600	14	11	1.5	4.0	0.8	2.5	0.5	1.5	0.3	1.0
I	400	28	22	1.5	4.0	0.8	2.5	0.5	1.5	0.3	1.0
J	200	55	45	1.5	4.0	0.8	2.5	0.5	1.5	0.3	1.0

# Table 2.0 Stroke and Load

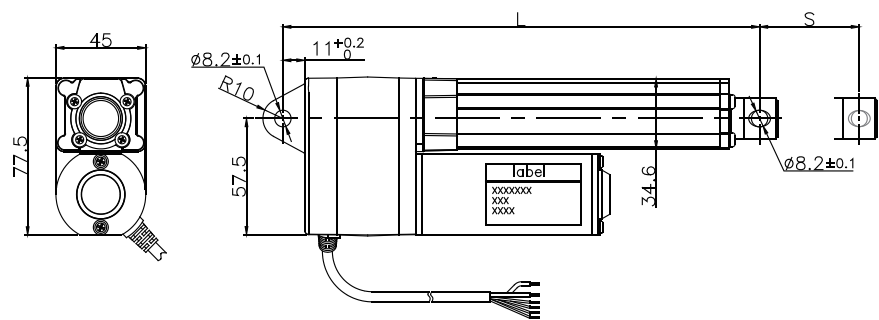


# Table 3.0 Dimension standard

1): Dimension standard  
 $30 \leq \text{Stroke} < 300, L = S + 108$   
 (Stroke: 30, Speed: 20+,  $L \geq 140$ )  
 $300 \leq \text{Stroke} < 500, L = S + 120$   
 $500 \leq \text{Stroke} \leq 600, L = S + 130$   
 Mounting holes  $90^\circ$  (standard)

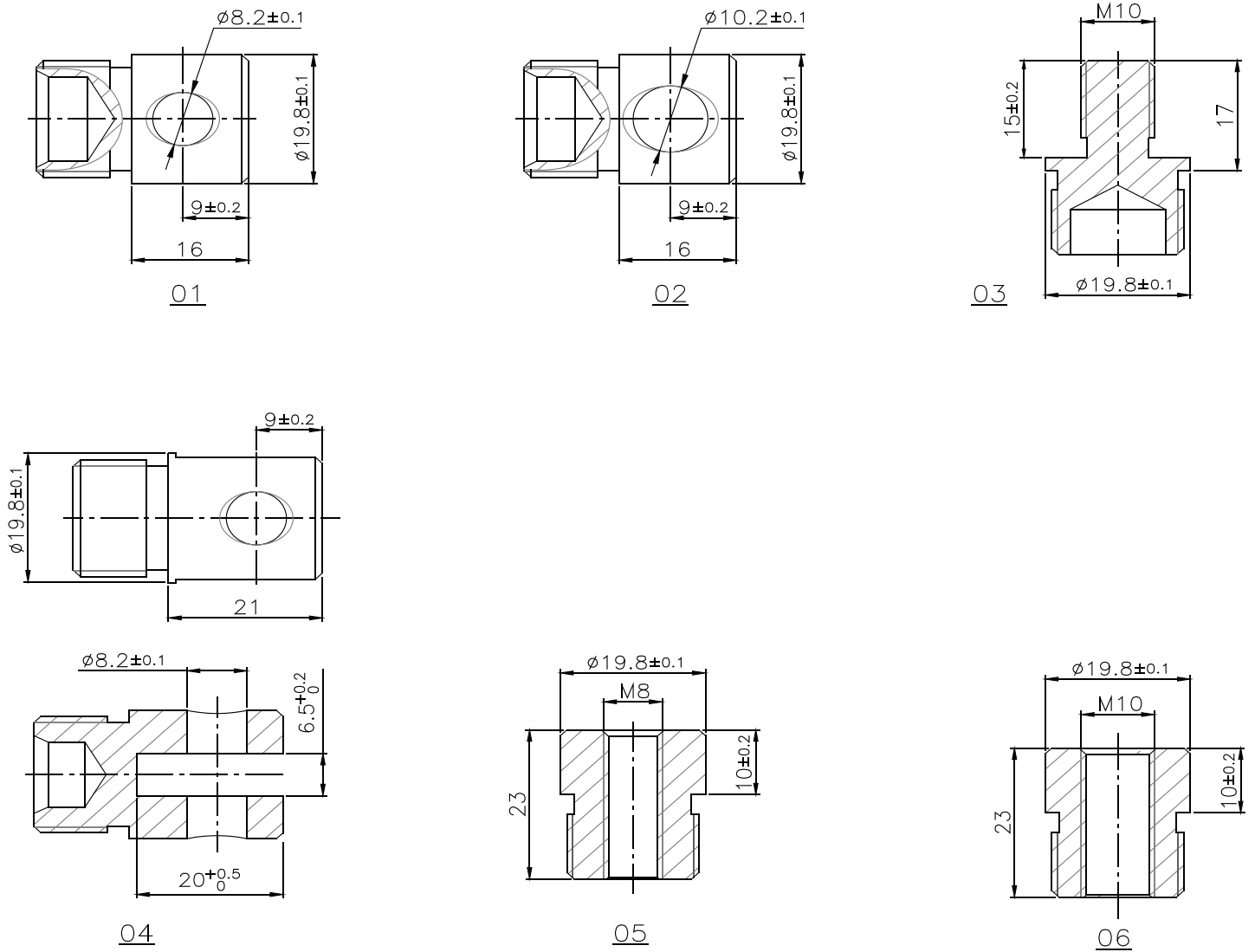


2): Dimensions with potentiometer  
 $30 \leq \text{Stroke} < 300, L = S + 140$   
 $300 \leq \text{Stroke} < 500, L = S + 150$   
 $500 \leq \text{Stroke} \leq 600, L = S + 160$   
 Mounting hole  $90^\circ$  (standard)



Note: When front attachment is joint bearing or customized attachment, the dimension is not apply to above rules

Table 4.0 Front attachment



Note: "01" —Standard, "07" —Customized

Table 5.0 Potentiometer range

Code	Output signal	Features	Resolution
		Stroke	1mm stroke ±10%
A~E	Potentiometer	200 mm 10K Ω	0.0464 K Ω
F~J		300 mm 10K Ω	0.0294 K Ω
A	Hall	Signal (one pole pair)	12.5
B			9.45
C			6.3
D			3.15
E			1.58
F			8
G			6
H			4
I			2
J			1
Version		Date	Alter
C		19.05.2016	No

