

OCF10-M50502EN

# P R E F A C E

1. This parts catalog has been issued Model 2GM20(-B,C,F) parts catalog (Pub. No. 000Y00R3751) .

Parts catalog No.:000Y00F50552  
Date of issue :Mar. , 1995

2. This Parts Catalog Covers all parts of engines massproduced since May, 1984 .

3. Specification and Model Code.

Model	Specification	Cooling System	Model Code
2GM20	Marine main engine (for export)	Ser water cooling	128271(S,N,G)
2GM20-B	Marine main engine (domestic use)		128271(A,B,C)
2GM20C	For sail drive		128271 E
2GM20F	Marine main engine (for export)	Fresh water cooling	128291(S,N,G)

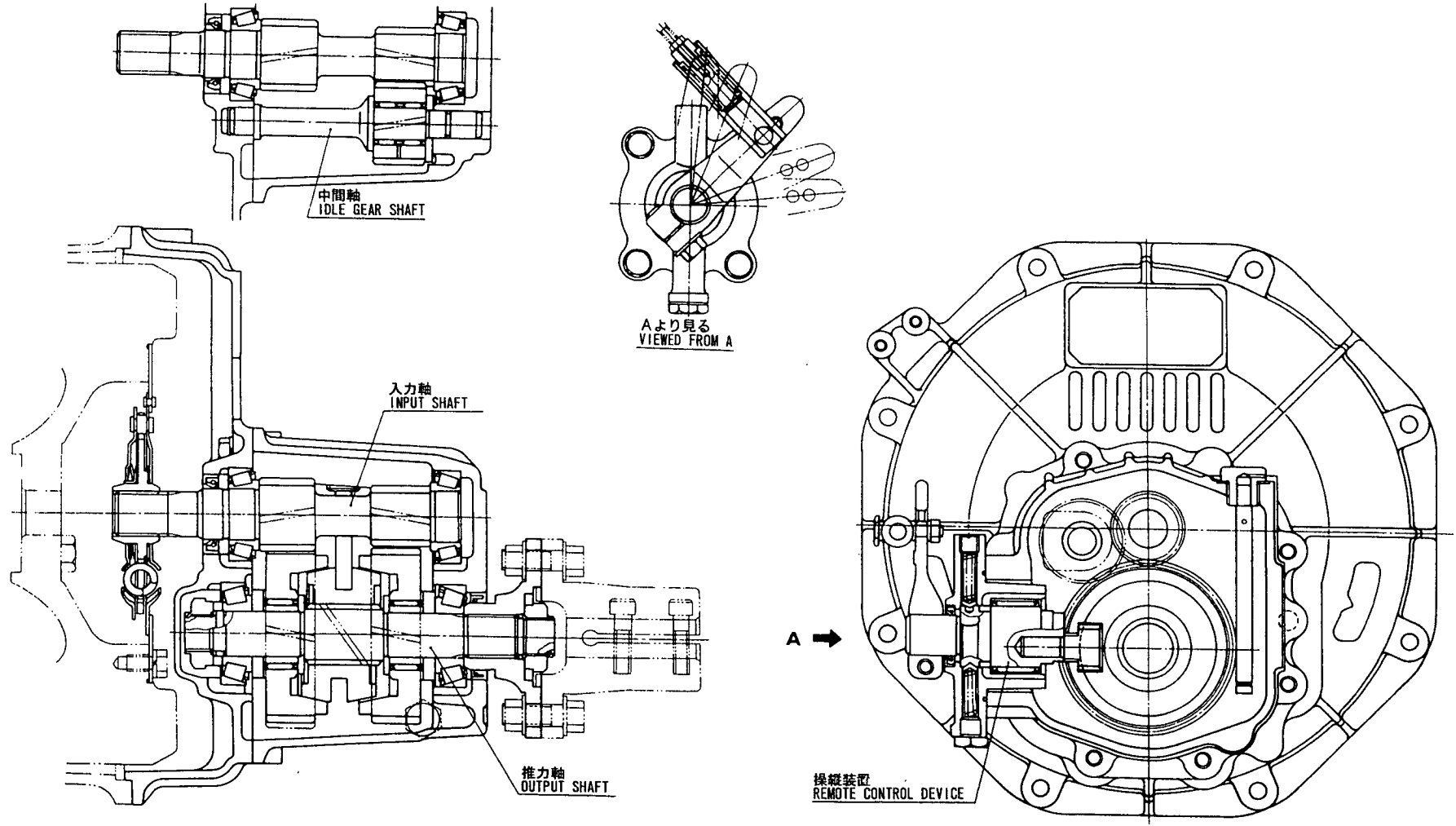
4. Parts of Sail Drive are not listed in this Psrts Catalog. For these Parts, please refer to separate-volume "SD20/SD30 Sail Drive Parts Catalog" (Pub.No.000YE0F1291)

5. Engine Painting Color.....Urethane Metallic Echol Silver

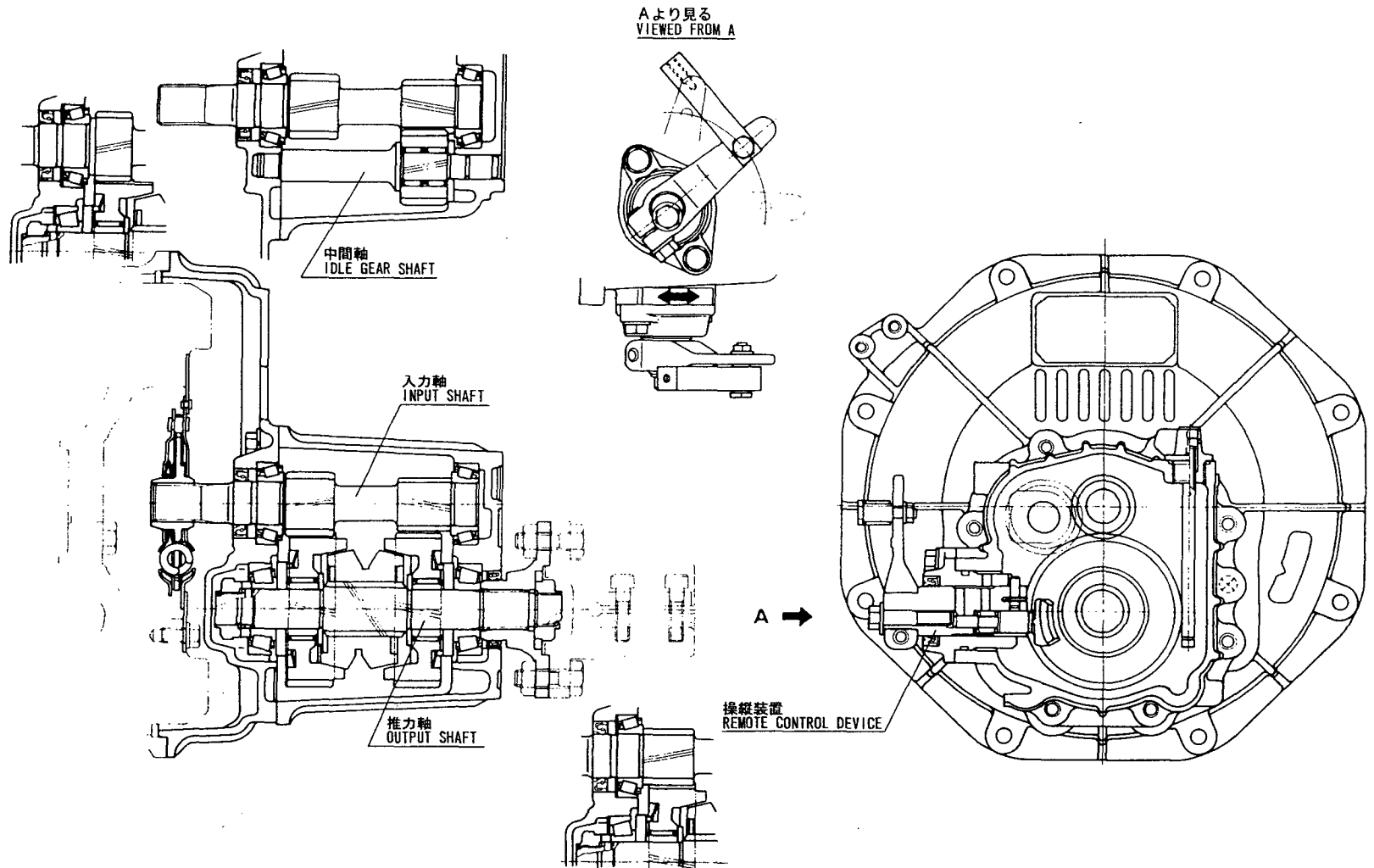
Replacement parts painted in Metallic Echol Silver are supplied.

<u>Parts No.</u>	<u>Description</u>
977620-10070	1 ℓ (can)
977620-40070	4 ℓ (can)
977620-30071	Spray, one

KM2-C 断面図  
KM2-C SECTIONAL VIEW



KM2 P 断面図  
KM2P SECTIONAL VIEW



# Contents

OCF10-M50502

Fig. No.	Fig. Name
2GM20	
1.	CYLINDER BLOCK
2.	CYLINDER BLOCK
3.	GEAR HOUSING
4.	GEAR HOUSING
5.	LUB. OIL SUMP
6.	FLYWHEEL HOUSING
7.	FLYWHEEL HOUSING
8.	MAIN BEARING HOUSING
9.	BREATHER
10.	LABEL
11.	ENGINE LIFTER
12.	ENGINE LIFTER
13.	ENGINE BRACKET
14.	ENGINE BRACKET
15.	FLEXIBLE MOUNT
16.	ANTI-CORROSIVE ZINC
17.	CYLINDER HEAD
18.	CYLINDER HEAD
19.	BONNET
20.	AIR INTAKE SILENCER
21.	MIXING ELBOW
22.	MIXING ELBOW
23.	CAMSHAFT
24.	CAMSHAFT

Fig. No.	Fig. Name
25.	CRANKSHAFT & FLYWHEEL
26.	PISTON
27.	CONNECTING ROD
28.	LUB. OIL PUMP
29.	LUB. OIL DIPSTICK
30.	LUB. OIL STRAINER
31.	LUB. OIL PRESS. REGULATING VALVE
32.	LUB. OIL LINE
33.	COOLING SEA WATER PUMP
34.	COOLING SEA WATER PUMP
35.	COOLING FRESH WATER PUMP
36.	COOLING FRESH WATER COOLER
37.	SUBTANK
38.	KINGSTON COCK
39.	COOLING SEA WATER LINE
40.	COOLING FRESH WATER LINE
41.	THERMOSTAT
42.	THERMOSTAT
43.	COOLING SEA WATER LINE(OPTIONAL)
44.	FUEL INJECTION PUMP
45.	FUEL FEED PUMP
46.	FUEL INJECTION VALVE
47.	FUEL STRAINER
48.	FUEL STRAINER
49.	FUEL INJECTION LINE

# Contents

OCF10-M50502

Fig. No. Fig. Name

- 50. FUEL INJECTION LINE
- 51. FUEL LINE
- 52. FUEL LINE
- 53. FUEL RETURN LINE
- 54. GOVERNOR DRIVING
- 55. CONTROL DEVICE
- 56. IDLE ADJUSTER
- 57. FUEL CONTROL DEVICE
- 58. ENGINE STOP DEVICE
- 59. SPEED REMOTE CONTROL
- 60. SPEED REMOTE CONTROL
- 61. HAND START
- 62. STARTING MOTOR
- 63. GENERATOR
- 64. GENERATOR
- 65. BATTERY SWITCH
- 66. WIRE HARNESS
- 67. CLUTCH
- 68. DUMPER DISK
- 69. TAPER COUPLING
- 70. CLUTCH REMOTE CONTROL
- 71. PANEL(A-TYPE)
- 72. TOOL
- 73. STARTING MOTOR COMPONENT PART
- 74. GENERATOR COMPONENT PART

Fig. No. Fig. Name

- 75. MIXING ELBOW(OPTIONAL)
- 76. MIXING ELBOW(OPTIONAL)
- 77. LUB. OIL WASTE PUMP(OPTIONAL)
- 78. ELECTRIC BILGE PUMP(12,OPTIONA
- 79. KINGSTON COCK(OPTIONAL)
- 80. FUEL TANK(OPTIONAL)
- 81. ENGINE STOP CABLE(OPTIONAL)
- 82. TAPER COUPLING(OPTIONAL)
- 83. COUPLING(OPTIONAL)
- 84. STRAIGHT COUPLING(OPTIONAL)
- 85. SLIT COUPLING(OPTIONAL)
- 86. SINGLE LEVER CONTROL(OPTIONAL)
- 87. PANEL(B-TYPE)(OPTIONAL)
- 88. PANEL(B-TYPE,NEW,OPTIONAL)
- 89. PANEL(A-TYPE)(OPTIONAL)
- 90. EXTENSION WIRE(OPTIONAL)
- 91. SPECIAL TOOL(OPTIONAL)
- 92. REPAIR PART(OPTIONAL)
- 93. REPAIR PART(OPTIONAL)
- 94. GASKET SET(OPTIONAL)

KM2C

- 95. CLUTCH HOUSING
- 96. INPUT SHAFT & SUPPORT SHAFT
- 97. OUTPUT SHAFT

# Contents

OCF10-M50502

Fig. No. Fig. Name

98. REMOTE CONTROL DEVICE

## KM2P

99. TOOL(OPTIONAL)

100. CLUTCH HOUSING

101. INPUT SHAFT & SUPPORT SHAFT

102. OUTPUT SHAFT

103. REMOTE CONTROL DEVICE

104. TOOL(OPTIONAL)

## KM3V

105. CLUTCH HOUSING

106. V-DRIVE HOUSING

107. INPUT SHAFT

108. SUPPORT SHAFT

109. OUTPUT SHAFT

110. V-DRIVE SHAFT

111. LUB. OIL COOLER

112. REMOTE CONTROL DEVICE

113. TOOL(OPTIONAL)

114. SAFETY LABEL

Fig. No. Fig. Name

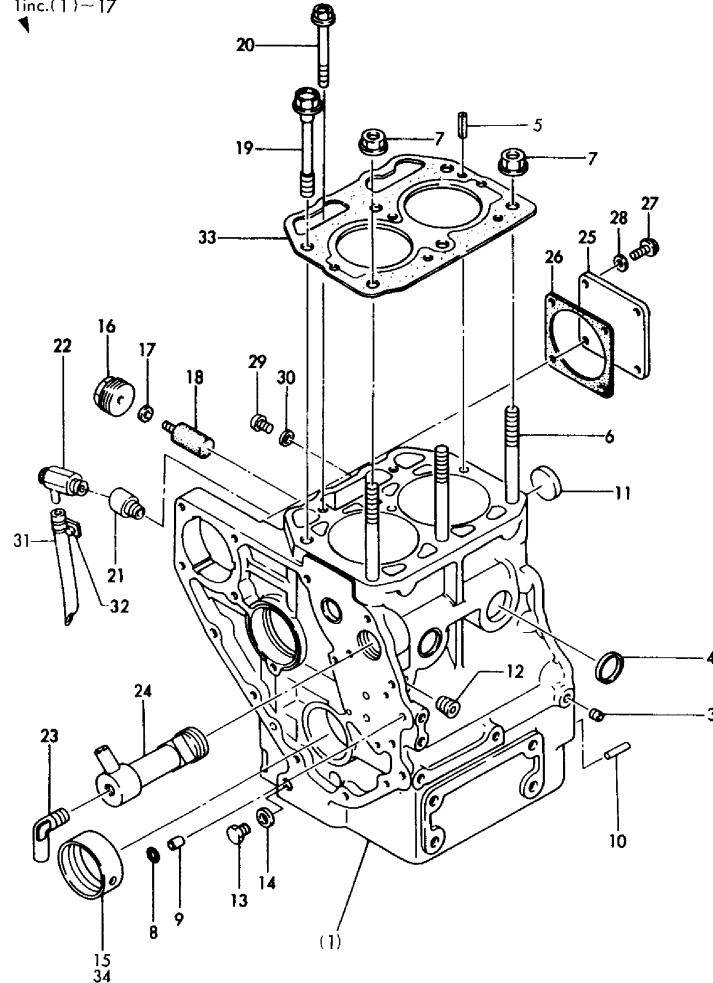
Fig.1. CYLINDER BLOCK

(A)=2GM20  
(B)=2GM20VE  
(C)=2GM20B

(D)=2GM20C  
(E)=2GM20F  
(F)=2GM20FVE

Fig.1 シリンダブロック  
CYLINDER BLOCK

見出しNo.1は、見出しNo.(1)から17を含みます。  
Inc.(1)-17



No.	Lev.	Parts No.	Description	Q'ty						I	R
				(A)	(B)	(C)	(D)	(E)	(F)		
1	1	728271-01560	BLOCK ASSY, CYLINDER	1	1	1	1				
3	2	124060-01050	PLUG, PT1/8	6	6	6	6				
4	2	105311-01090	PLUG, 30	4	4	4	4				
5	2	22351-060012	PIN, SPRING 6.0X12	2		2	2				Z
		(A=E0000)	(C=E0000)				(D=E0000)				
6	2	121450-01210	BOLT, HEAD	3	3	3	3				
7	2	121450-01220	NUT, CYLINDER HEAD	3	3	3	3				
8	2	24311-000100	O-RING, 1AP10.0	2	2	2	2				
9	2	124085-01900	GUIDE	2	2	2	2				
10	2	22312-080160	PIN, PARALLEL M8X16	2	2	2	2				
11	2	27243-300000	PLUG, 30	1		1	1				
11-1	2	121450-01990	PLUG, 30	1		1	1				N
		(A=E0000)	(C=E0000)				(D=E0000)				
12	2	23873-020000	PLUG, R02	1	1	1	1				
13	2	121450-01960	PLUG, PF1/4	1	1	1	1				
14	2	121450-01980	GASKET	1	1	1	1				
15	2	121450-02100	BEARING, MAIN	1	1	1	1				
16	2	128270-09300	PLUG, NPTF1	1	1	1	1				
17	2	123210-09310	GASKET	1	1	1	1				
18	2	27210-200300	ZINC, SCREW20X30	1	1	1	1				
19	1	121450-01203	BOLT, HEAD	3	3	3	3				
20	1	129350-01230	BOLT, HEAD	2	2	2	2				
21	1	128270-01890	SPACER	1	1	1	1				
22	1	120130-49350	COCK, 1/4	1	1	1	1				
23	1	105583-49910	ELBOW, PT1/4	1	1	1	1				
24	1	128270-01450	JOINT	1	1	1	1				
25	1	124240-01871	COVER	1	1	1	1				
26	1	124950-26021	GASKET	1		1	1				
26-1	1	124240-01882	GASKET	1		1	1				N
		(A=E0000)	(C=E0000)				(D=E0000)				
26-2	1	124240-01883	GASKET	1		1	1				N
		(A=E16293)	(C=E01046)				(D=E01482)				
26-3	1	129C26-01890	GASKET, HO-P	1		1	1				R
		(A=E00000)	(C=E00000)				(D=E00000)				
27	1	26106-080142	BOLT, M8X 14 PLATED	4	4	4	4				
28	1	23414-080000	GASKET, 8X1.0	4		4	4				
28-1	1	23414-080000	GASKET, 8X1.0	1	1	1	1				K
		(A=E01531)	(C=E00141)				(D=E00245)				
29	1	124060-32990	PLUG	1		1	1				Z
		(A=E0000)	(C=E0000)				(D=E0000)				
30	1	23414-080000	GASKET, 8X1.0	1		1	1				Z
		(A=E0000)	(C=E0000)				(D=E0000)				
31	1	23061-070200	PIPE, 7X 200	1	1	1	1				
32	1	124460-77680	RETAINER	1	1	1	1				
33	1	128271-01330	GASKET, HEAD	1		1	1				
33-1	1	128271-01911	GASKET, HEAD	1		1	1				N
		(A=E08117)	(C=E00494)				(D=E00725)				
34	1	121450-02310	BEARING, 0.25 US	1	1	1	1				1

Remarks

(1)Under sized(U.S.=0.25)part.

N:Old  $\xrightarrow{\text{Yes}}$  New, Q:Old  $\xrightarrow{\text{No}}$  New, R:Old  $\xrightarrow{\text{Yes}}$  New, S:Old  $\xrightarrow{\text{No}}$  New, W:Add, Z:Discontinued, F:Interchangeable by set, K:Q'ty Change



Fig.2. CYLINDER BLOCK

(A)=2GM20  
(B)=2GM20VE  
(C)=2GM20B

(D)=2GM20C  
(E)=2GM20F  
(F)=2GM20FVE

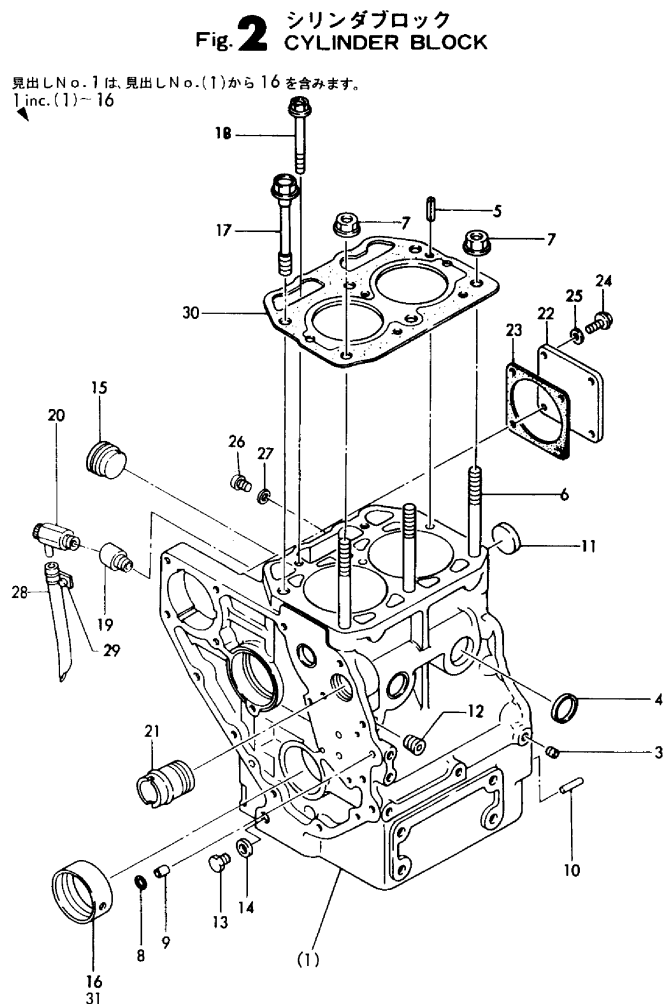


Fig.2 シリンダブロック  
CYLINDER BLOCK

見出しNo. 1は、見出しNo.(1)から16を含みます。  
1 inc.(1)~16

No.	Lev.	Parts No.	Description	Q'ty						I	R
				(A)	(B)	(C)	(D)	(E)	(F)		
1	1	728271-01560	BLOCK ASSY, CYLINDER					1	1		1
3	2	124060-01050	PLUG, PT1/8					6	6		
4	2	105311-01090	PLUG, 30					4	4		
5	2	22351-060012	PIN, SPRING 6.0X12					2			Z
								(E=E16283)			
6	2	121450-01210	BOLT, HEAD					3	3		
7	2	121450-01220	NUT, CYLINDER HEAD					3	3		
8	2	24311-000100	O-RING, 1AP10.0					2	2		
9	2	124085-01900	GUIDE					2	2		
10	2	22312-080160	PIN, PARALLEL M8X16					2	2		
11	2	27243-300000	PLUG, 30					1			
11-1	2	121450-01990	PLUG, 30					1			N
								(E=E16283)			
12	2	23873-020000	PLUG, R02					1	1		
13	2	121450-01960	PLUG, PF1/4					1	1		
14	2	121450-01980	GASKET					1	1		
15	2	171051-01921	PLUG, NPTF1					1	1		
16	2	121450-02100	BEARING, MAIN					1	1		
17	1	121450-01203	BOLT, HEAD					3	3		
18	1	129350-01230	BOLT, HEAD					2	2		
19	1	128270-01890	SPACER					1	1		
20	1	120130-49350	COCK, 1/4					1	1		
21	1	124160-49480	JOINT, PIPE					1	1		
22	1	124240-01871	COVER					1	1		
23	1	124240-01882	GASKET					1			
23-1	1	124240-01883	GASKET					1			N
								(E=E16283)			
23-2	1	129C26-01890	GASKET, HO-P					1			R
								(E=E16283)			
24	1	26106-080142	BOLT, M8X 14 PLATED					4	4		
25	1	23414-080000	GASKET, 8X1.0					4			
25-1	1	23414-080000	GASKET, 8X1.0					1	1		K
								(E=E01250)			
26	1	124060-32990	PLUG					1			Z
								(E=E16283)			
27	1	23414-080000	GASKET, 8X1.0					1			Z
								(E=E16283)			
28	1	23061-070200	PIPE, 7X 200					1	1		
29	1	124460-77680	RETAINER					1	1		
30	1	128271-01330	GASKET, HEAD					1			
30-1	1	128271-01911	GASKET, HEAD					1			N
								(E=E07898)			
31	1	121450-02310	BEARING, 0.25 US					1	1		2

Remarks

- 1)Cylinder block assy of model 2GM20F is supplied as model 2gm20. Although component parts are partly differet but interchangeable.
- 2)Under sized part(0.25).

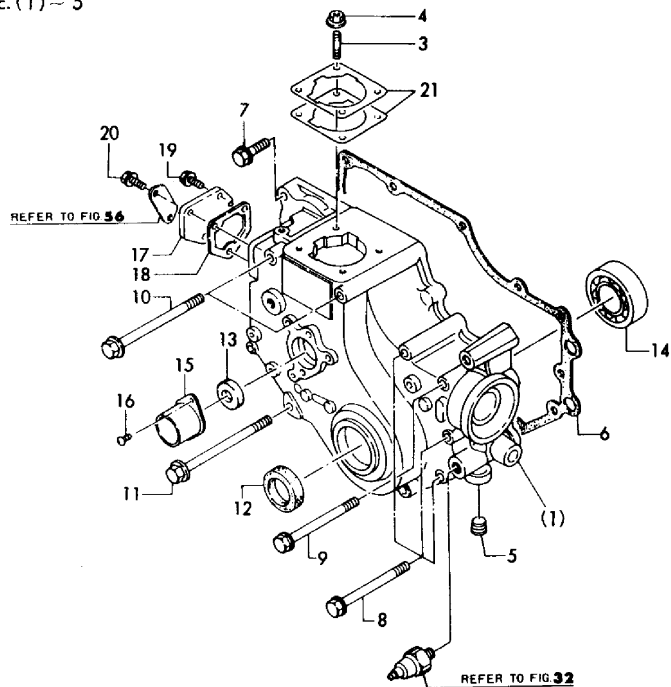
Fig.3. GEAR HOUSING

(A)=2GM20  
(B)=2GM20VE  
(C)=2GM20B

(D)=2GM20C  
(E)=2GM20F  
(F)=2GM20FVE

Fig.3 ギヤケース  
GEAR HOUSING

見出しNo. 1は、見出しNo. (1)から5を含みます。  
1 inc. (1) ~ 5



No.	Lev.	Parts No.	Description	Q'ty						I	R
				(A)	(B)	(C)	(D)	(E)	(F)		
1	1	728270-01610	CASE ASSY, GEAR	1	1		1				
3	2	121450-01560	STUD, M8X22	4			4				
3-1	2	26216-080222	STUD, M8X 22	4			4				N
4	2	26366-080002	NUT, M8	4	4		4				
5	2	124060-01050	PLUG, PT1/8	1	1		1				
6	1	121575-01510	GASKET, GEAR CASE	1			1				
6-1	1	121575-01511	GASKET, GEAR CASE	1			1				N
7	1	26106-080302	BOLT, M8X 30 PLATED	2	2		2				
8	1	26106-080852	BOLT, M8X 85 PLATED	5	5		5				
9	1	26106-080902	BOLT, M8X 90 PLATED	1	1		1				
10	1	26106-081152	BOLT, M8X115 PLATED	2	2		2				
11	1	26106-081152	BOLT, M8X115 PLATED	2	2		2				
12	1	121450-01800	SEAL, OIL	1			1				
12-2	1	121450-01801	SEAL, TC25408	1			1				N
13	1	128270-01820	SEAL, SC16286	1	1		1				
14	1	24101-063050	BEARING, BALL 6305C3	1	1		1				
15	1	128170-01830	COVER	1	1		1				
16	1	26557-060102	SCREW, M6X10	2	2		2				
17	1	121000-01850	COVER, BLOCK	1	1		1				
18	1	121575-01860	GASKET	1			1				
18-1	1	121575-01861	GASKET	1			1				N
19	1	26106-060122	BOLT, M6X 12 PLATED	1	1		1				
20	1	26106-060142	BOLT, M6X 14 PLATED	2	2		2				
21	1	124950-01951	SHIM SET, ADJUSTING	1	1		1				

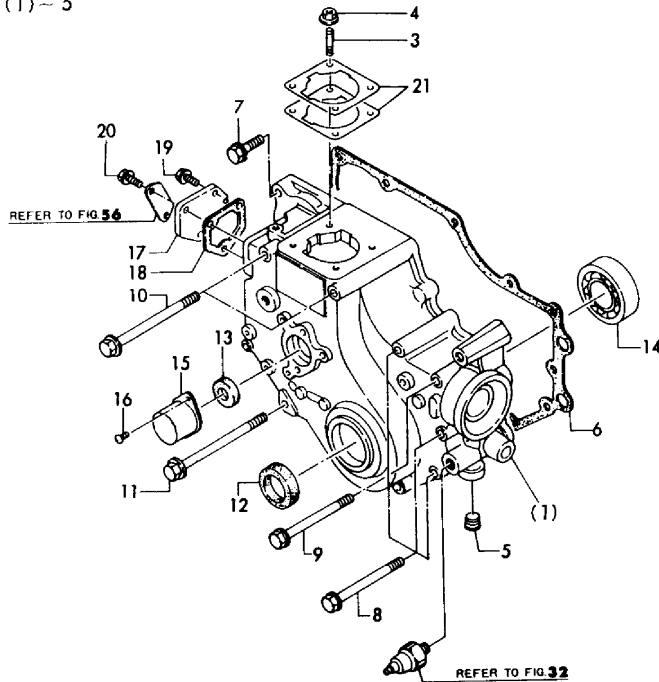
Fig.4. GEAR HOUSING

(A)=2GM20  
(B)=2GM20VE  
(C)=2GM20B

(D)=2GM20C  
(E)=2GM20F  
(F)=2GM20FVE

Fig.4 ギヤケース  
GEAR HOUSING

見出しNo. 1は、見出しNo. (1)から5を含みます。  
1 inc. (1) ~ 5

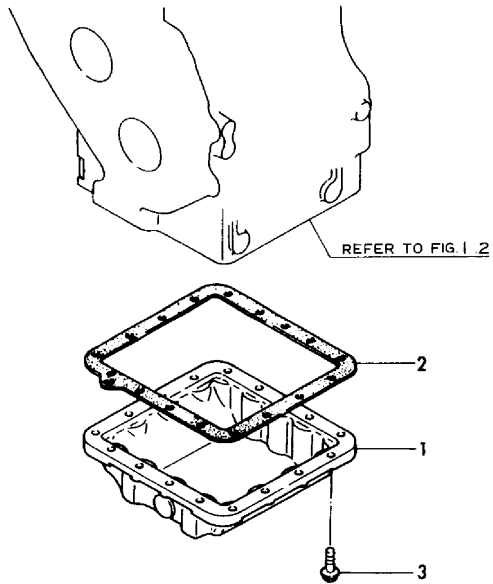


No.	Lev.	Parts No.	Description	Q'ty						I	R
				(A)	(B)	(C)	(D)	(E)	(F)		
1	1	728270-01610	CASE ASSY, GEAR			1		1		1	
3	2	121450-01560	STUD, M8X22			4		4		4	
4	2	26366-080002	NUT, M8			4		4		4	
5	2	124060-01050	PLUG, PT1/8			1		1		1	
6	1	121575-01510	GASKET, GEAR CASE			1		1			
6-1	1	121575-01511	GASKET, GEAR CASE			1		1			N
			(C=E01277)					(E=E17941)			
7	1	26106-080302	BOLT, M8X 30 PLATED			2		2		2	
8	1	26106-080852	BOLT, M8X 85 PLATED			5		5		5	
9	1	26106-080902	BOLT, M8X 90 PLATED			1		1		1	
10	1	26106-081152	BOLT, M8X115 PLATED			2		2		2	
11	1	26106-081152	BOLT, M8X115 PLATED			2		2		2	
12	1	121450-01800	SEAL, OIL					1			
12-1	1	121450-01800	SEAL, OIL			1		1			N
			(C=E01263)					(E=E17941)			
12-2	1	121450-01801	SEAL, TC25408			1		1			N
			(C=E01277)					(E=E17887)			
13	1	128270-01820	SEAL, SC16286			1		1		1	
14	1	24101-063050	BEARING, BALL 6305C3			1		1		1	
15	1	128670-01830	COVER			1		1		1	
16	1	26557-060102	SCREW, M6X10			2		2		2	
17	1	121000-01850	COVER, BLOCK			1		1		1	
18	1	121575-01860	GASKET			1		1			
18-1	1	121575-01861	GASKET			1		1			N
			(C=E01277)					(E=E17941)			
19	1	26106-060122	BOLT, M6X 12 PLATED			1		1		1	
20	1	26106-060142	BOLT, M6X 14 PLATED			2		2		2	
21	1	124950-01951	SHIM SET, ADJUSTING			1		1		1	

(A)=2GM20  
(B)=2GM20VE  
(C)=2GM20B

(D)=2GM20C  
(E)=2GM20F  
(F)=2GM20FVE

Fig.5 オイルパン  
LUB. OIL SUMP



No.	Lev.	Parts No.	Description	Q'ty						I	R
				(A)	(B)	(C)	(D)	(E)	(F)		
1	1	128270-01720	SUMP, OIL	1	1	1	1	1	1		
2	1	124000-01750	GASKET, OIL SUMP	1		1	1	1			
2-1	1	124000-01751	GASKET, OIL SUMP	1		1	1	1			N
3	1	26106-060162	BOLT, M6X 16 PLATED	(A=E17944) 17		(C=E01277) 17	(D=E01641) 17	(E=E17941) 17			
3-1	1	26014-060202	BOLT, M6X 20	(A=E17944) 17		(C=E01277) 17	(D=E01641) 17	(E=E17941) 17			N
		(A=E17944)	(C=E01277)	(D=E01641)	(E=E17941)						
		(A=E17944)	(C=E17944)	(D=E17941)	(E=E17941)						

---

---

---

---

---

---

---

---

---

---

---

---

---

---

---

---

---

---

---

---

---

---

---

---

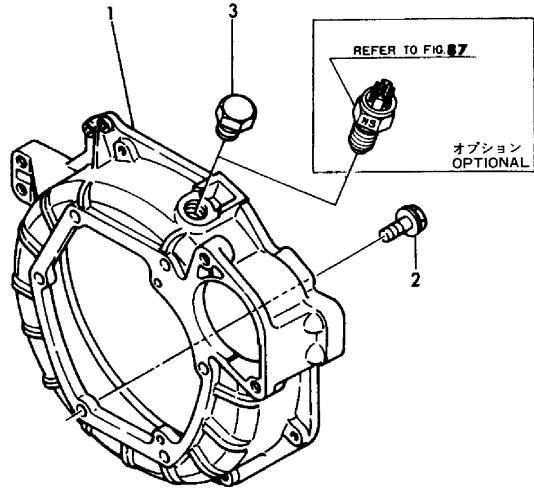
---

Fig.6. FLYWHEEL HOUSING

(A)=2GM20  
 (B)=2GM20VE  
 (C)=2GM20B

(D)=2GM20C  
 (E)=2GM20F  
 (F)=2GM20FVE

Fig.6 フライホイールハウジング  
 FLYWHEEL HOUSING



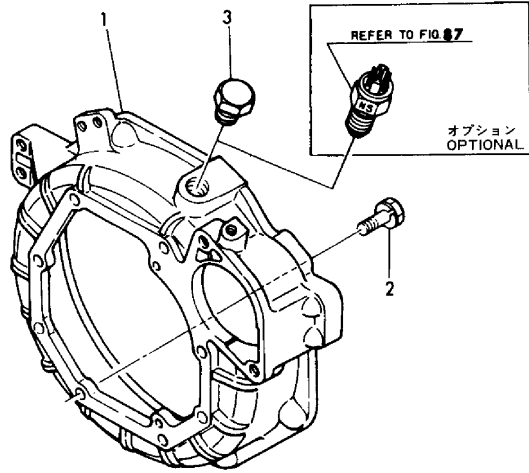
No.	Lev.	Parts No.	Description	Qty						I	R
				(A)	(B)	(C)	(D)	(E)	(F)		
1	1	128170-01600	FLANGE, MOUNTING	1	1	1		1			
2	1	26106-100252	BOLT, M10X 25 PLATED	6	6	6		6			
3	1	23887-180002	PLUG, 18	1	1	1		1			

# Fig.7. FLYWHEEL HOUSING

(A)=2GM20  
 (B)=2GM20VE  
 (C)=2GM20B

(D)=2GM20C  
 (E)=2GM20F  
 (F)=2GM20FVE

**Fig. 7** フライホイールハウジング  
 FLYWHEEL HOUSING



No.	Lev.	Parts No.	Description	Q'ty						I	R
				(A)	(B)	(C)	(D)	(E)	(F)		
1	1	128371-01601	HOUSING, FLYWHEEL				1				
2	1	26013-100252	BOLT, M10X 25				8				
3	1	23887-180002	PLUG, 18				1				

---

---

---

---

---

---

---

---

---

---

---

---

---

---

---

---

---

---

---

---

---

---

---

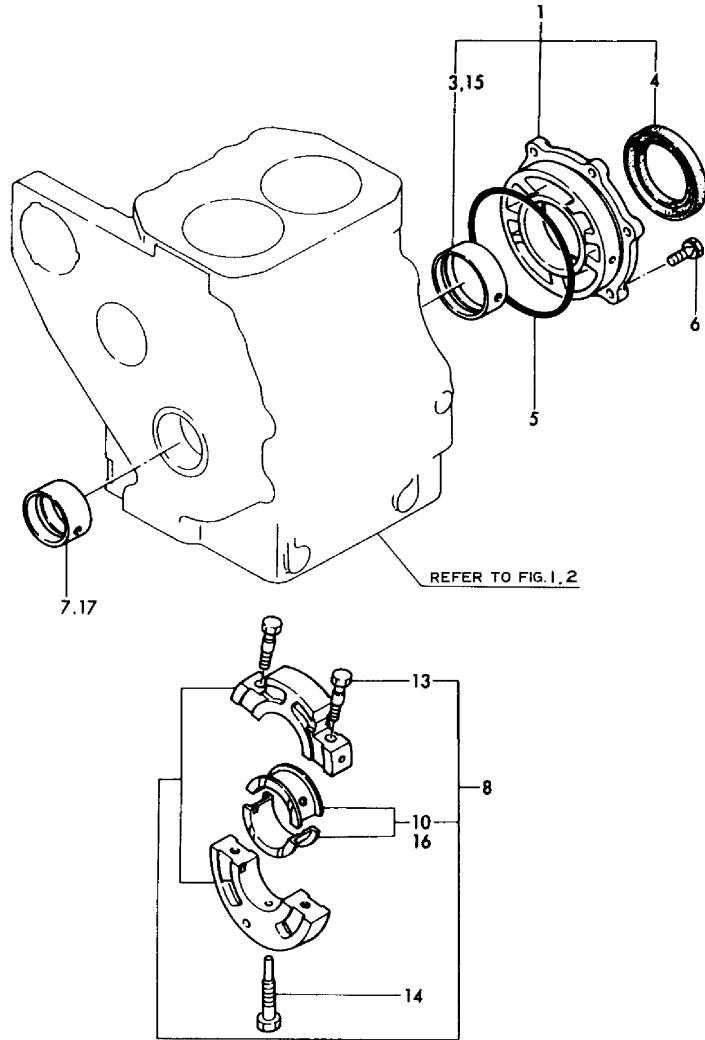
---

Fig.8. MAIN BEARING HOUSING

(A)=2GM20  
(B)=2GM20VE  
(C)=2GM20B

(D)=2GM20C  
(E)=2GM20F  
(F)=2GM20FVE

Fig.8 メインメタル  
MAIN BEARING HOUSING



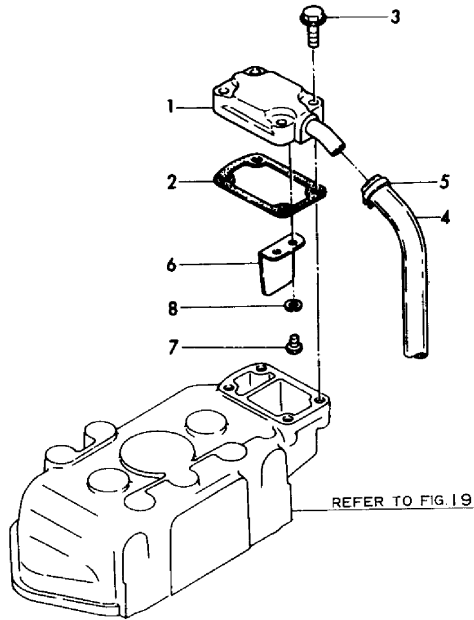
No.	Lev.	Parts No.	Description	Q'ty						I	R
				(A)	(B)	(C)	(D)	(E)	(F)		
1	1	721450-02500	HOUSING ASSY, METAL	1	1	1	1	1	1		
3	2	121450-02110	BEARING, MAIN	1	1	1	1	1	1		
4	2	124085-02220	SEAL, OIL	1	1	1	1	1	1		
5	1	105225-02040	GASKET	1		1	1	1			
5-1	1	105225-02020	O-RING	1		1	1	1			N
		(A=EXXX)	(C=EXXX)	(D=EXXX)	(E=EXXX)						
6	1	26013-080202	BOLT, M8X 20	6	6	6	6	6	6		
7	1	121450-02100	BEARING, MAIN	1	1	1	1	1	1		
8	1	721450-02612	HOUSING ASSY, METAL	1	1	1	1	1	1		
10	2	121450-02160	BEARING, MAIN	1	1	1	1	1	1		
13	2	121450-02071	BOLT	2	2	2	2	2	2		
14	1	105225-02300	BOLT	1	1	1	1	1	1		
15	1	121450-02320	METAL ASSY, 0.25	1	1	1	1	1	1		
16	1	121450-02370	BEARING, 0.25 US	1	1	1	1	1	1		
17	1	121450-02310	BEARING, 0.25 US	1	1	1	1	1	1		

Fig.9. BREATHER

(A)=2GM20  
(B)=2GM20VE  
(C)=2GM20B

(D)=2GM20C  
(E)=2GM20F  
(F)=2GM20FVE

Fig.9 ブリーザ  
BREATHER



No.	Lev.	Parts No.	Description	Q'ty						I	R
				(A)	(B)	(C)	(D)	(E)	(F)		
1	1	121000-03020	COVER, BREATHER	1	1	1	1	1	1		
2	1	121000-03070	GASKET	1	1	1	1	1	1		
3	1	26106-060252	BOLT, M6X 25 PLATED	4	4	4	4	4	4		
4	1	124000-03200	PIPE , BREATHER	1	1	1	1	1	1		
5	1	23080-013000	CLAMP, 13	2	2	2	2	2	2		
6	1	121000-03080	PLATE, SHELTER	1	1	1	1	1	1		
7	1	26557-050102	SCREW, M5X10	2	2	2	2	2	2		
8	1	22217-050000	WASHER, SPRING 5	2	2	2	2	2	2		

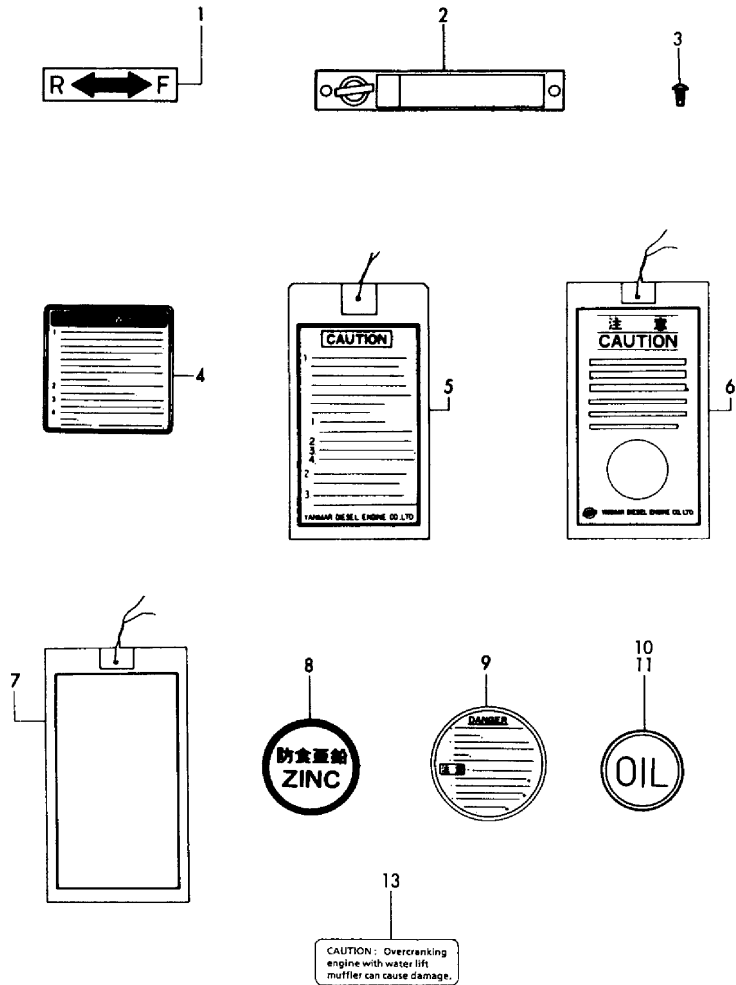


Fig.10. LABEL

(A)=2GM20  
(B)=2GM20VE  
(C)=2GM20B

(D)=2GM20C  
(E)=2GM20F  
(F)=2GM20FVE

Fig. 10 銘板 LABEL



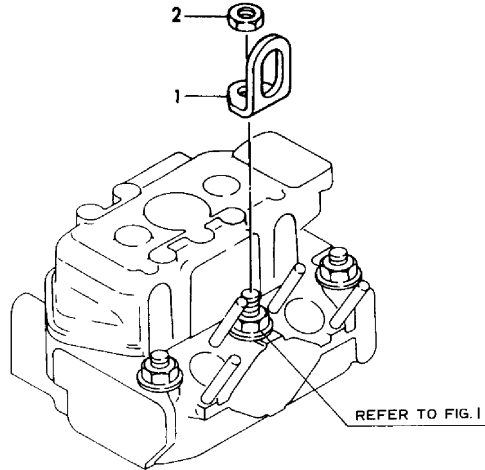
No.	Lev.	Parts No.	Description	Qty						I	R
				(A)	(B)	(C)	(D)	(E)	(F)		
1	1	177088-02430	LABEL	1	1	1		1	1		
2	1	105582-07061	LABEL			1					
3	1	102210-07990	RIVET			2					
4	1	127611-07350	LABEL						1		
4-1	1	129198-07350	LABEL						1		N
				(E=E15069)							
5	1	126630-07370	LABEL						1	1	
6	1	123682-07850	LABEL, CAUTION						1	1	
7	1	128170-07850	LABEL, CAUTION	1	1		1				
8	1	124220-09340	LABEL	2	2	2	2				
9	1	120445-44620	LABEL, CAUTION						1	1	
10	1	42222-003550	LABEL	1		1			1		Z
				(A=E15069)		(C=E15069)		(E=E15069)			
11	1	42222-003550	LABEL				2				W
				(A=E15069)		(C=E15069)		(E=E15069)			
13	1	128171-07150	LABEL	1					1	1	W
				(A=E21461)		(D=E02191)		(E=E21466)			

# Fig.11. ENGINE LIFTER

(A)=2GM20  
(B)=2GM20VE  
(C)=2GM20B

(D)=2GM20C  
(E)=2GM20F  
(F)=2GM20FVE

**Fig. 11** 吊り上げ金具  
ENGINE LIFTER



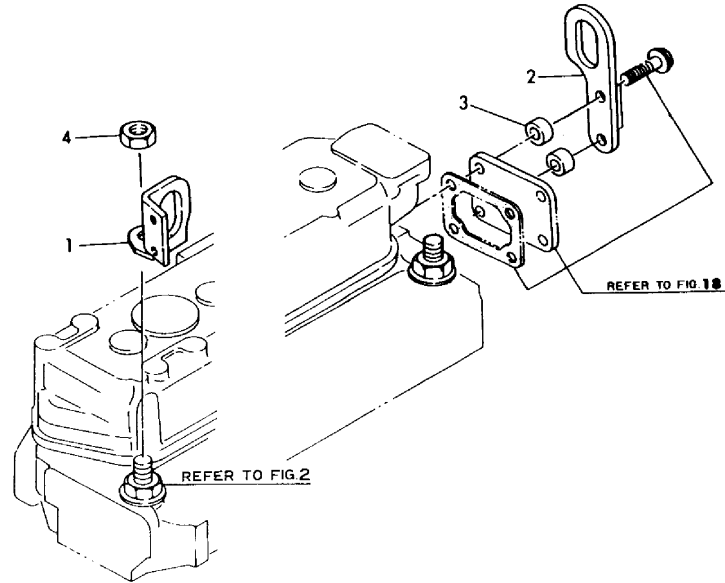
No.	Lev.	Parts No.	Description	Q'ty						I	R
				(A)	(B)	(C)	(D)	(E)	(F)		
1	1	121575-07230	LIFTER	1	1	1	1				
2	1	26776-120002	NUT, LOCK M12	1	1	1	1				

Fig.12. ENGINE LIFTER

(A)=2GM20  
(B)=2GM20VE  
(C)=2GM20B

(D)=2GM20C  
(E)=2GM20F  
(F)=2GM20FVE

Fig. 12 吊り上げ金具  
ENGINE LIFTER



No.	Lev.	Parts No.	Description	Q'ty						I	R
				(A)	(B)	(C)	(D)	(E)	(F)		
1	1	128695-07230	LIFTER					1			1
2	1	121575-07240	LIFTER					1			1
3	1	123372-03150	SPACER					2			2
4	1	129305-07950	NUT, M12					1			
4-1	1	26776-120002	NUT, LOCK M12					1			N

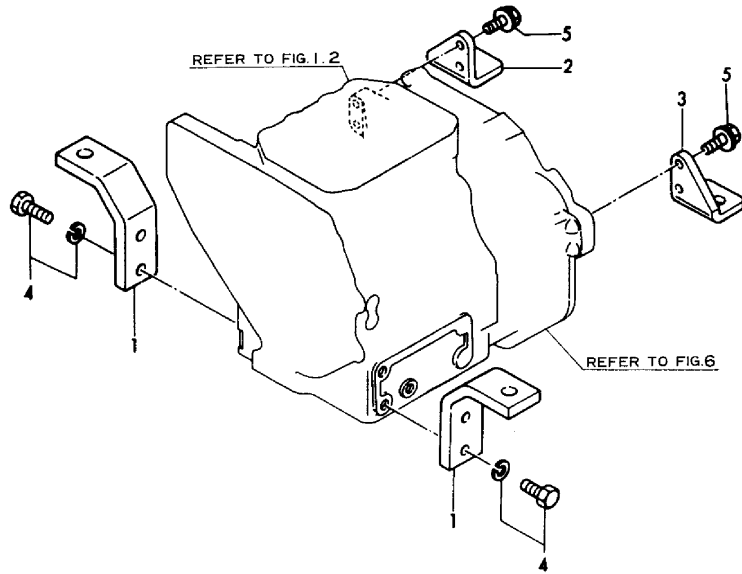
(E=EXXX)

Fig.13. ENGINE BRACKET

(A)=2GM20  
(B)=2GM20VE  
(C)=2GM20B

(D)=2GM20C  
(E)=2GM20F  
(F)=2GM20FVE

Fig. 13 マウンティングフット  
ENGINE BRACKET



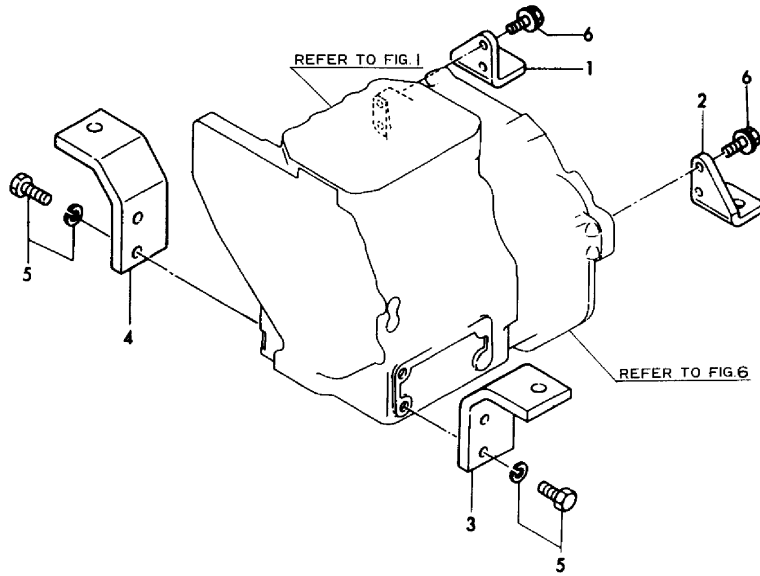
No.	Lev.	Parts No.	Description	Q'ty						I	R
				(A)	(B)	(C)	(D)	(E)	(F)		
1	1	128170-08100	FOOT	2	2	2		2	2		
2	1	128170-08120	FOOT	1	1	1		1	1		
3	1	128170-08130	FOOT	1	1	1		1	1		
4	1	26013-120302	BOLT, M12X 30	4	4	4		4	4		
5	1	26103-100252	BOLT M10X25	4		4		4			
5-1	1	26106-100252	BOLT, M10X 25 PLATED	4		4		4			N
(A=E XXX)				(C=E XXX)				(E=E XXX)			

Fig.14. ENGINE BRACKET

(A)=2GM20  
(B)=2GM20VE  
(C)=2GM20B

(D)=2GM20C  
(E)=2GM20F  
(F)=2GM20FVE

Fig. 14 マウンティングフット  
ENGINE BRACKET



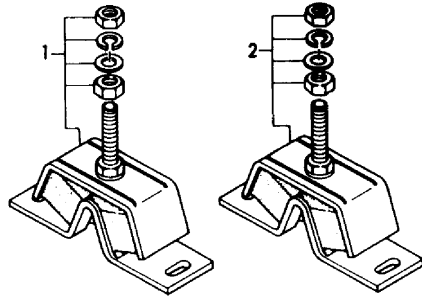
No.	Lev.	Parts No.	Description	Q'ty						I	R	
				(A)	(B)	(C)	(D)	(E)	(F)			
1	1	128170-08120	FOOT				1					
2	1	128170-08130	FOOT				1					
3	1	128271-08150	FOOT				1					
4	1	128271-08160	FOOT				1					
5	1	26013-120302	BOLT, M12X 30				4					
6	1	26106-100252	BOLT, M10X 25 PLATED				4					

Fig.15. FLEXIBLE MOUNT

(A)=2GM20  
(B)=2GM20VE  
(C)=2GM20B

(D)=2GM20C  
(E)=2GM20F  
(F)=2GM20FVE

Fig. 15 フレキシブルマウント  
FLEXIBLE MOUNT



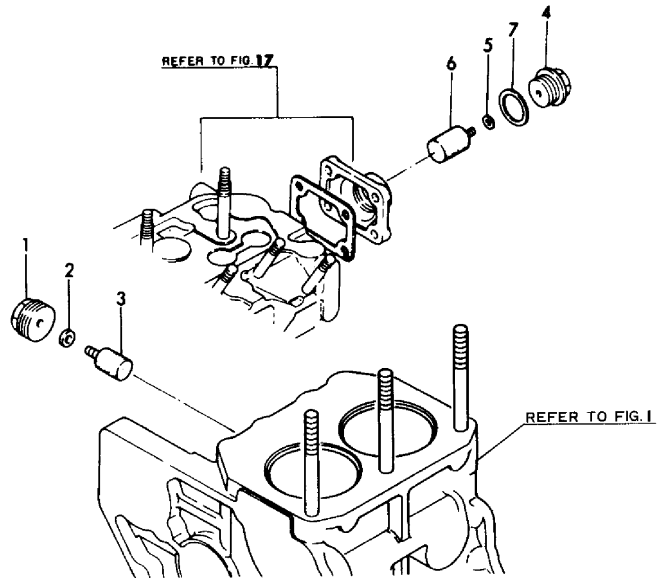
No.	Lev.	Parts No.	Description	Q'ty						I	R	
				(A)	(B)	(C)	(D)	(E)	(F)			
1	1	124772-08341	MOUNT, FLEXIBLE 100	2	4	2		2		4		
2	1	128270-08341	MOUNT, FLEXIBLE 75	2		2	2	2				

Fig.16. ANTI-CORROSIVE ZINC

(A)=2GM20  
(B)=2GM20VE  
(C)=2GM20B

(D)=2GM20C  
(E)=2GM20F  
(F)=2GM20FVE

Fig. 16 防食亜鉛  
ANTI-CORROSIVE ZINC



No.	Lev.	Parts No.	Description	Q'ty						I	R
				(A)	(B)	(C)	(D)	(E)	(F)		
1	2	128270-09300	PLUG, NPTF1	1	1	1	1				
2	2	123210-09310	GASKET	1	1	1	1				
3	2	27210-200300	ZINC, SCREW20X30	1	1	1	1				
4	2	122780-09320	PLUG	1	1	1	1				
5	2	123210-09310	GASKET	1	1	1	1				
6	2	27210-200300	ZINC, SCREW20X30	1	1	1	1				
7	2	23414-250000	GASKET, 25X1.0	1	1	1	1				

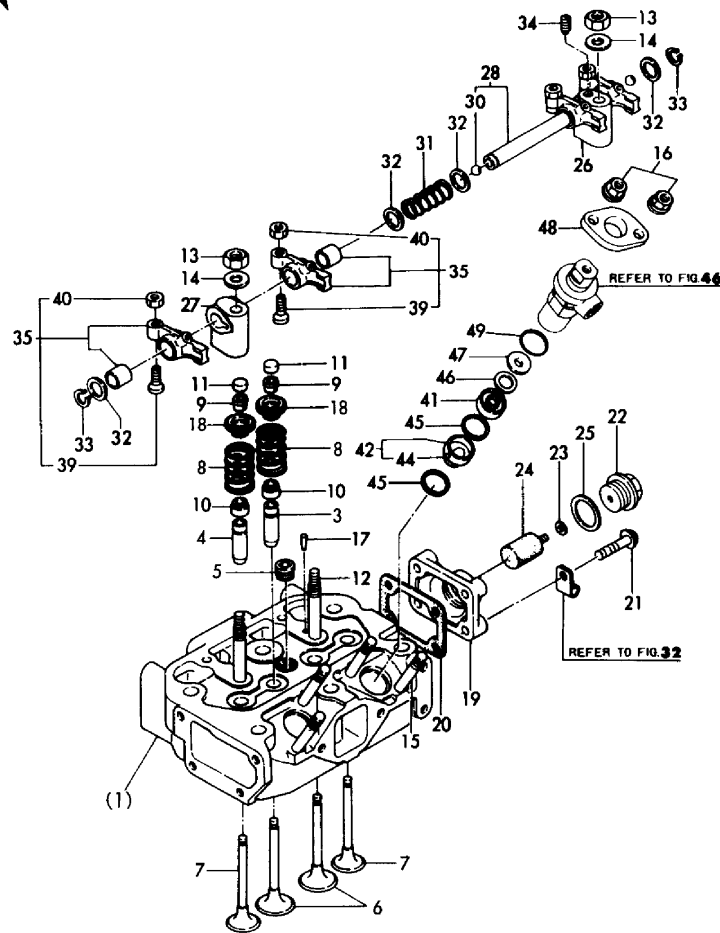
Fig.17. CYLINDER HEAD

(A)=2GM20  
(B)=2GM20VE  
(C)=2GM20B

(D)=2GM20C  
(E)=2GM20F  
(F)=2GM20FVE

Fig. 17 シリンダヘッド  
CYLINDER HEAD

見出しNo. 1は、見出しNo. (1)から25を含みます。  
↑inc.(1)~25



No.	Lev.	Parts No.	Description	Q'ty						I	R
				(A)	(B)	(C)	(D)	(E)	(F)		
1	1	728272-11700	HEAD ASSY, CYLINDER	1	1	1	1				
3	3	124060-11160	GUIDE, VALVE	2	2	2	2				
4	3	128272-11170	GUIDE, VALVE	2	2	2	2				
5	3	23871-030000	PLUG, R03	1	1	1	1				
6	2	105225-11100	VALVE, INTAKE	2	2	2	2				
7	2	105225-11110	VALVE, EXHAUST	2	2	2	2				
8	2	121575-11121	SPRING, VALVE	4	4	4	4				
9	2	101158-11190	COTTER	8	8	8	8				
10	2	124950-11340	SEAL, VALVE STEM	4	4	4	4				
11	2	104211-11370	CAP, VALVE	4	4	4	4				
12	2	105225-11350	STUD	2	2	2	2				
13	2	26696-100002	NUT, LOCK M10	2	2	2	2				
14	2	22137-100000	WASHER, 10	2	2	2	2				
15	2	26216-080652	STUD, M8X 65	4	4	4	4				
16	2	26366-080002	NUT, M8	4	4	4	4				
17	2	121000-11050	PIN, 4.5X12	1	1	1	1				
18	2	104200-11180	RETAINER, SPRING	4	4	4	4				
19	2	121575-11670	COVER, HEAD	1	1	1	1				
20	2	121450-11680	GASKET	1	1	1	1				
20-1	2	121450-11681	GASKET	1	1	1	1				N
		(A=E17944)	(C=E01277)	(D=E01641)							
21	2	26106-080302	BOLT, M8X 30 PLATED	4	4	4	4				
22	2	122780-09320	PLUG	1	1	1	1				
23	2	123210-09310	GASKET	1	1	1	1				
24	2	27210-200300	ZINC, SCREW20X30	1	1	1	1				
25	2	23414-250000	GASKET, 25X1.0	1	1	1	1				
26	1	121450-11260	SUPPORT, ROCKER ARM	1	1	1	1				
27	1	121450-11270	SUPPORT, ROCKER ARM	1	1	1	1				
28	1	124000-11240	SHAFT, ROCKER ARM	1	1	1	1				
30	2	24190-110001	BALL, STEEL 11/32	2	2	2	2				
31	1	121550-11280	SPRING	1	1	1	1				
32	1	121550-11290	WASHER	4	4	4	4				
33	1	22242-000140	RING, 14	2	2	2	2				
34	1	26921-080102	SCREW, M8X10	1	1	1	1				
35	1	724085-11650	ARM ASSY, ROCKER	4	4	4	4				
39	2	101158-11230	SCREW, VALVE ADJUST	4	4	4	4				
40	2	26756-080002	NUT, LOCK M8	4	4	4	4				
41	1	128275-11410	CHAMBER	2	2	2	2				
42	1	105311-11420	CHAMBER	2	2	2	2				
44	2	103338-11430	PIN	2	2	2	2				
45	1	124950-11450	GASKET, CHAMBER	4	4	4	4				
46	1	128275-11490	PROTECTOR	2	2	2	2				
47	1	128275-11500	COVER	2	2	2	2				
48	1	101147-11900	RETAINER	2	2	2	2				
49	1	24341-000260	O-RING, 1AS26.0	2	2	2	2				



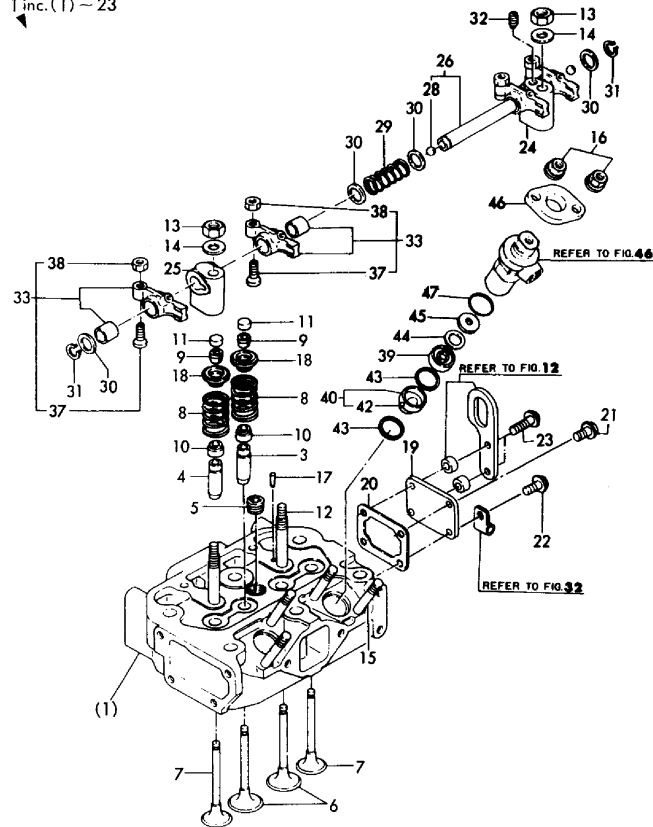
Fig.18. CYLINDER HEAD

(A)=2GM20  
(B)=2GM20VE  
(C)=2GM20B

(D)=2GM20C  
(E)=2GM20F  
(F)=2GM20FVE

Fig. 18 シリンダヘッド  
CYLINDER HEAD

見出しNo. 1は、見出しNo. (1)から23を含みます。  
1 inc. (1) ~ 23



No.	Lev.	Parts No.	Description	Q'ty						I	R
				(A)	(B)	(C)	(D)	(E)	(F)		
1	1	728272-11700	HEAD ASSY, CYLINDER					1	1		1
3	3	124060-11160	GUIDE, VALVE					2	2		
4	3	128272-11170	GUIDE, VALVE					2	2		
5	3	23871-030000	PLUG, R03					1	1		
6	2	105225-11100	VALVE, INTAKE					2	2		
7	2	105225-11110	VALVE, EXHAUST					2	2		
8	2	121575-11121	SPRING, VALVE					4	4		
9	2	101158-11190	COTTER					8	8		
10	2	124950-11340	SEAL, VALVE STEM					4	4		
11	2	104211-11370	CAP, VALVE					4	4		
12	2	105225-11350	STUD					2	2		
13	2	26696-100002	NUT, LOCK M10					2	2		
14	2	22137-100000	WASHER, 10					2	2		
15	2	26216-080652	STUD, M8X 65					4	4		
16	2	26366-080002	NUT, M8					4	4		
17	2	121000-11050	PIN, 4.5X12					1	1		
18	2	104200-11180	RETAINER, SPRING					4	4		
19	2	121450-11670	COVER, HEAD					1	1		
20	2	121450-11680	GASKET					1			
20-1	2	121450-11681	GASKET					1			N
								(E=E17941)			
21	2	26106-080122	BOLT, M8X 12 PLATED					1	1		
22	2	26106-080142	BOLT, M8X 14 PLATED					1	1		
23	2	26106-080252	BOLT, M8X 25 PLATED					2	2		
24	1	121450-11260	SUPPORT, ROCKER ARM					1	1		
25	1	121450-11270	SUPPORT, ROCKER ARM					1	1		
26	1	124000-11240	SHAFT, ROCKER ARM					1	1		
28	2	24190-110001	BALL, STEEL 11/32					2	2		
29	1	121550-11280	SPRING					1	1		
30	1	121550-11290	WASHER					4	4		
31	1	22242-000140	RING, 14					2	2		
32	1	26921-080102	SCREW, M8X10					1	1		
33	1	724085-11650	ARM ASSY, ROCKER					4	4		
37	2	101158-11230	SCREW, VALVE ADJUST					4	4		
38	2	26756-080002	NUT, LOCK M8					4	4		
39	1	128275-11410	CHAMBER					2	2		
40	1	105311-11420	CHAMBER					2	2		
42	2	103338-11430	PIN					2	2		
43	1	124950-11450	GASKET, CHAMBER					4	4		
44	1	128275-11490	PROTECTOR					2	2		
45	1	128275-11500	COVER					2	2		
46	1	101147-11900	RETAINER					2	2		
47	1	24341-000260	O-RING, 1AS26.0					2	2		

Remarks

1) CYLINDER HEAD ASSY OF MODEL 2GM20F IS SUPPLIED AS MODEL 2GM20. ALTHOUGH COMPONENT PARTS ARE PARTLY DIFFERET, BUT INTERCHANGEABLE.

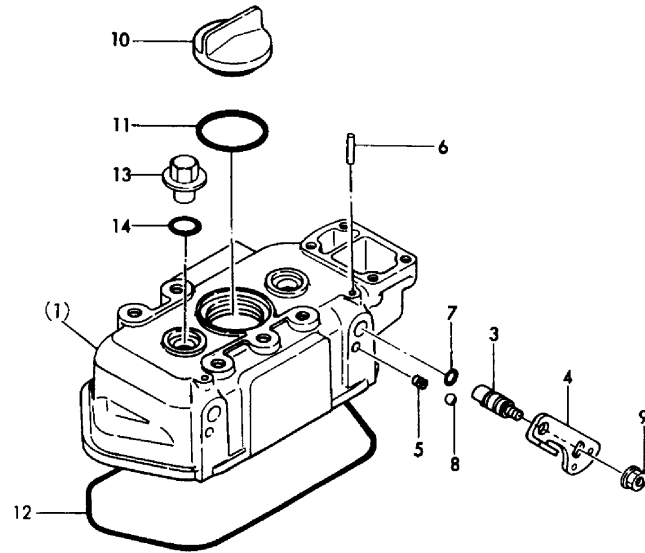
Fig.19. BONNET

(A)=2GM20  
(B)=2GM20VE  
(C)=2GM20B

(D)=2GM20C  
(E)=2GM20F  
(F)=2GM20FVE

**Fig. 19** ボンネット  
**BONNET**

見出しNo. 1は、見出しNo. (1)から12を含みます。  
1 inc. (1) ~ 12



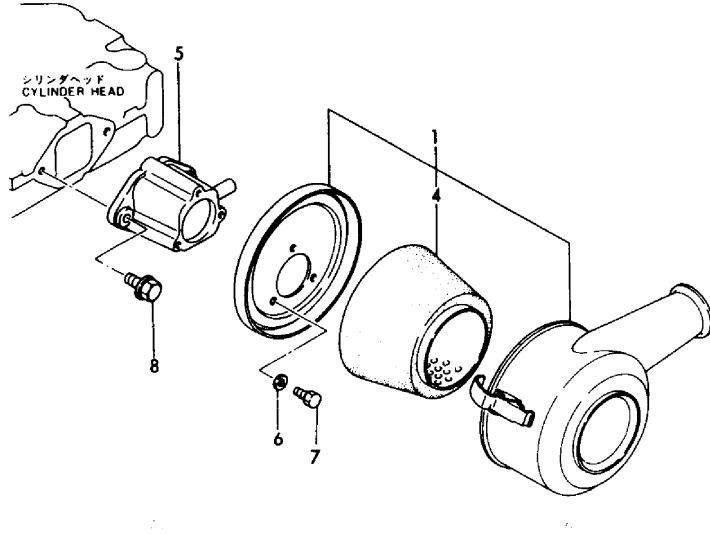
No.	Lev.	Parts No.	Description	Q'ty						I	R
				(A)	(B)	(C)	(D)	(E)	(F)		
1	1	728270-11520	BONNET ASSY, HEAD	1	1	1	1	1	1		
3	2	128270-03610	SHAFT, DECOMPRESSION	2	2	2	2	2	2		
4	2	128270-03750	LEVER, DECOMPRESSION	2	2	2	2	2	2		
5	2	128270-03640	SPRING, DECOMPRESSION	2	2	2	2	2	2		
6	2	22312-030220	PIN, PARALLEL M3X22	2	2	2	2	2	2		
7	2	24311-000070	O-RING, 1AP7.0	2	2	2	2	2	2		
8	2	24190-080001	BALL, STEEL 1/4	2	2	2	2	2	2		
9	2	26366-060002	NUT, M6	2	2	2	2	2	2		
10	2	124160-01751	COVER, FILLER	1	1	1	1	1	1		
11	2	24321-000350	O-RING, 1AG35.0	1	1	1	1	1	1		
12	2	128270-11310	GASKET, BONNET	1	1	1	1	1	1		
13	1	124160-11360	KNOB	2	2	2	2	2	2		
14	1	24311-000120	O-RING, 1AP12.0	2	2	2	2	2	2		

Fig.20. AIR INTAKE SILENCER

(A)=2GM20  
(B)=2GM20VE  
(C)=2GM20B

(D)=2GM20C  
(E)=2GM20F  
(F)=2GM20FVE

**Fig. 20** 吸気サイレンサ  
AIR INTAKE SILENCER



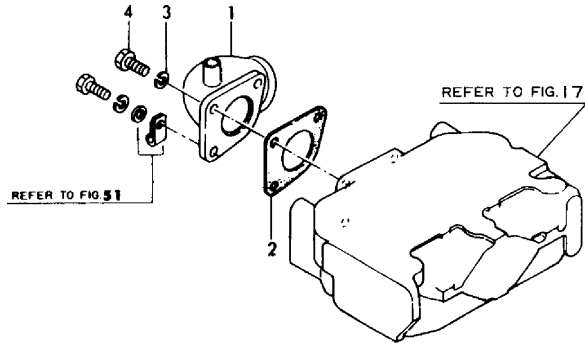
No.	Lev.	Parts No.	Description	Q'ty						I	R
				(A)	(B)	(C)	(D)	(E)	(F)		
1	1	128270-12500	SILENCER ASSY	1	1	1	1	1	1		
4	2	128270-12540	ELEMENT	1	1	1	1	1	1		
5	1	128270-12700	PIPE, AIR INTAKE	1	1	1	1	1	1		
6	1	22117-060000	WASHER, 6	3	3	3	3	3	3		
7	1	26013-060142	BOLT, M6X 14	3	3	3	3	3	3		
8	1	26106-080182	BOLT, M8X 18 PLATED	2	2	2	2	2	2		

Fig.21. MIXING ELBOW

(A)=2GM20  
(B)=2GM20VE  
(C)=2GM20B

(D)=2GM20C  
(E)=2GM20F  
(F)=2GM20FVE

Fig. 21 ミキシングエルボ  
MIXING ELBOW



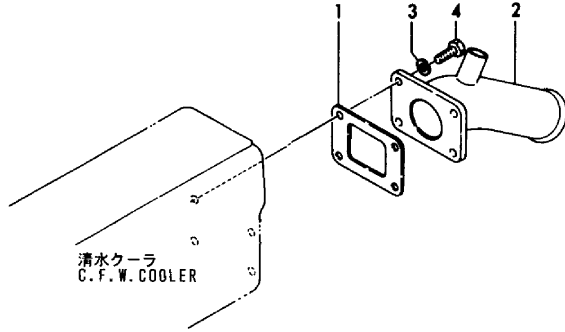
No.	Lev.	Parts No.	Description	Q'ty						I	R
				(A)	(B)	(C)	(D)	(E)	(F)		
1	1	128170-13530	ELBOW	1	1	1	1				
2	1	128170-13200	GASKET	1		1	1				
2-1	1	128170-13201	GASKET	1		1	1				N
3	1	22217-080000	WASHER, SPRING 8	3	3	3	3				
4	1	26115-080202	BOLT, M8X 20	3	3	3	3				

Fig.22. MIXING ELBOW

(A)=2GM20  
(B)=2GM20VE  
(C)=2GM20B

(D)=2GM20C  
(E)=2GM20F  
(F)=2GM20FVE

Fig.22 ミキシングエルボ  
MIXING ELBOW



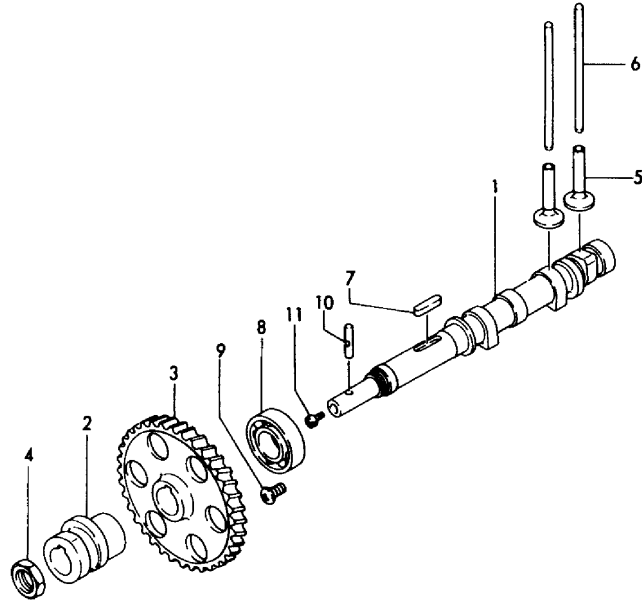
No.	Lev.	Parts No.	Description	Q'ty						I	R	
				(A)	(B)	(C)	(D)	(E)	(F)			
1	1	128370-13200	GASKET					1				
1-1	1	128370-13201	GASKET					1				N
				(E=E17941)								
2	1	128370-13530	ELBOW					1				1
3	1	22217-080000	WASHER, SPRING 8					4				4
4	1	26115-080202	BOLT, M8X 20					4				
4-1	1	26203-080202	BOLT, M8X 20 PLATED					4				N
				(E=E06654)								

Fig.23. CAMSHAFT

(A)=2GM20  
(B)=2GM20VE  
(C)=2GM20B

(D)=2GM20C  
(E)=2GM20F  
(F)=2GM20FVE

Fig.23 カムシャフト  
CAMSHAFT



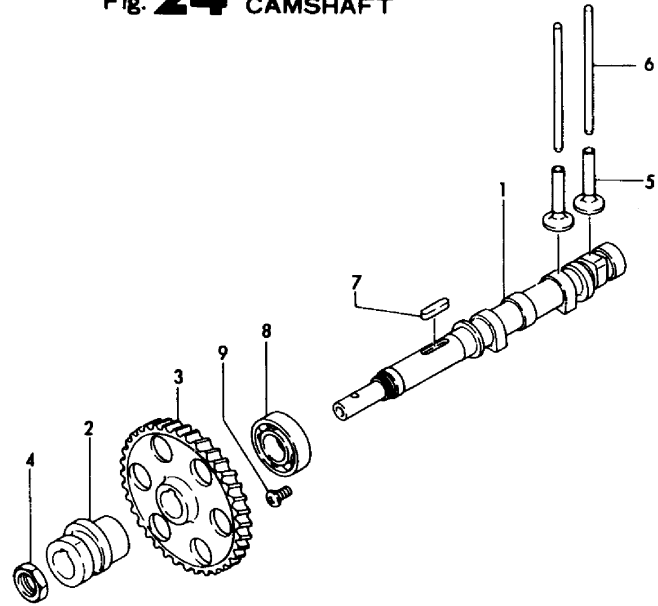
No.	Lev.	Parts No.	Description	Q'ty						I	R	
				(A)	(B)	(C)	(D)	(E)	(F)			
1	1	128270-14010	CAMSHAFT	1	1		1					
2	1	124000-14090	CAM, FUEL	1	1		1					
3	1	129350-14100	GEAR, CAMSHAFT	1	1		1					
4	1	128170-14150	NUT	1	1		1					
5	1	104200-14200	TAPPET	4	4		4					
6	1	121450-14400	ROD, PUSH	4	4		4					
7	1	22512-070300	KEY, 7X 30	1	1		1					
8	1	24101-062054	BEARING, BALL 6205	1	1		1					
9	1	26587-080122	SCREW, M8X12	1	1		1					
10	1	124070-14760	PIN	1	1		1					
11	1	26450-050102	BOLT, M5X 10	1	1		1					

Fig.24. CAMSHAFT

(A)=2GM20  
(B)=2GM20VE  
(C)=2GM20B

(D)=2GM20C  
(E)=2GM20F  
(F)=2GM20FVE

Fig. 24 カムシャフト  
CAMSHAFT



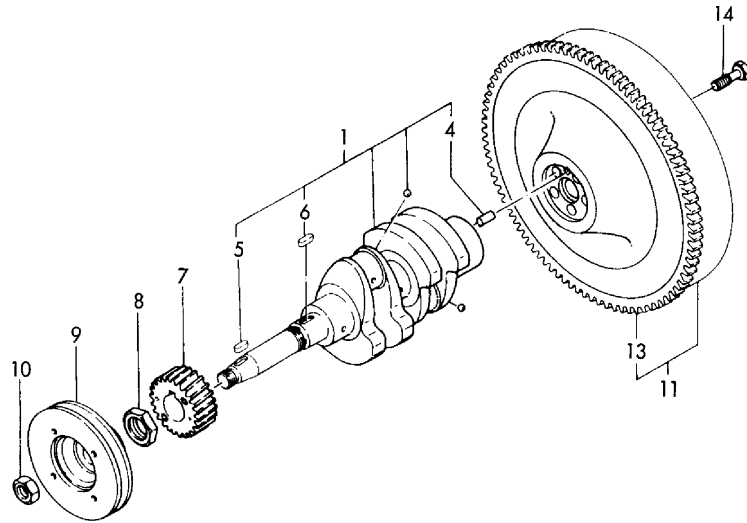
No.	Lev.	Parts No.	Description	Q'ty						I	R
				(A)	(B)	(C)	(D)	(E)	(F)		
1	1	128270-14010	CAMSHAFT			1		1	1		
2	1	124000-14090	CAM, FUEL			1		1	1		
3	1	129350-14100	GEAR, CAMSHAFT			1		1	1		
4	1	128170-14150	NUT			1		1	1		
5	1	104200-14200	TAPPET			4		4	4		
6	1	121450-14400	ROD, PUSH			4		4	4		
7	1	22512-070300	KEY, 7X 30			1		1	1		
8	1	24101-062054	BEARING, BALL 6205			1		1	1		
9	1	26587-080122	SCREW, M8X12			1		1	1		

Fig.25. CRANKSHAFT & FLYWHEEL

(A)=2GM20  
(B)=2GM20VE  
(C)=2GM20B

(D)=2GM20C  
(E)=2GM20F  
(F)=2GM20FVE

Fig. **25** クランクシャフト&フライホイール  
CRANKSHAFT & FLYWHEEL



No.	Lev.	Parts No.	Description	Q'ty						I	R
				(A)	(B)	(C)	(D)	(E)	(F)		
1	1	724085-21701	CRANKSHAFT ASSY	1	1	1	1	1	1		
4	2	22312-080160	PIN, PARALLEL M8X16	1	1	1	1	1	1		
5	2	22512-070180	KEY, 7X 18	1	1	1	1	1	1		
6	2	22512-070180	KEY, 7X 18	1	1	1	1	1	1		
7	1	129350-21200	GEAR, CRANKSHAFT	1	1	1	1	1	1		
8	1	121450-21540	NUT, CRANKSHAFT GEAR	1		1	1	1			
8-1	1	121450-21541	NUT, CRANKSHAFT GEAR	1		1	1	1			N
		(A=E08741)	(C=E08741)	(D=E08741)	(E=E08720)						
9	1	128270-21651	V-PULLEY	1	1	1	1	1	1		
10	1	26776-180002	NUT, LOCK M18	1	1	1	1	1	1		
11	1	128271-21590	FLYWHEEL ASSY	1	1	1	1	1	1		
13	2	124950-21600	GEAR, RING	1	1	1	1	1	1		
14	1	121574-21500	BOLT, FLYWHEEL 10 45	5	5	5	5	5	5		



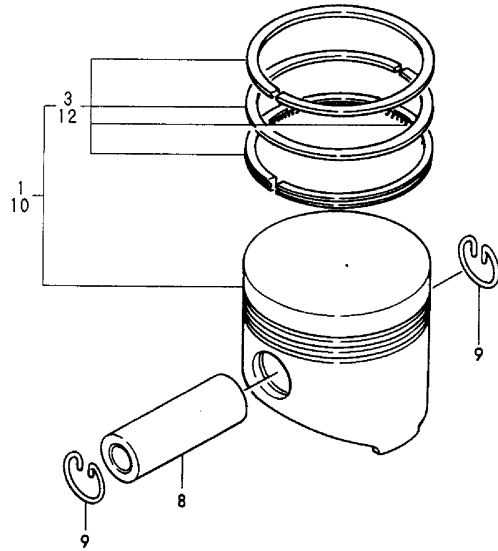
Fig.26. PISTON

(A)=2GM20  
(B)=2GM20VE  
(C)=2GM20B

(D)=2GM20C  
(E)=2GM20F  
(F)=2GM20FVE

P/C NEWS No. Y00F5052-2  
PUBLISHED:2000/11

Fig.26 ピストン  
PISTON



No.	Lev.	Parts No.	Description	Q'ty						I	R
				(A)	(B)	(C)	(D)	(E)	(F)		
1	1	105311-22090	PISTON ASSY, S	2	2	2	2	2	2		
3	2	705311-22500	RING SET, PISTON	2	2	2	2	2	2		
8	1	105225-22300	PIN, PISTON	2	2	2	2	2	2		
9	1	105225-22400	CIRCLIP	4	4	4	4	4	4		
10	1	128171-22250	PISTON ASSY, 0.25 OS	2	2	2	2	2	2		1
12	2	705325-22540	RING SET, 0.25 OS	2	2	2	2	2	2		1

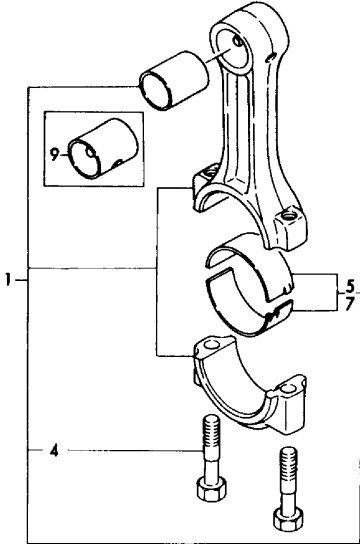
Remarks  
(1)OVER SIZED (O.S.=0.25) PART.

Fig.27. CONNECTING ROD

(A)=2GM20  
(B)=2GM20VE  
(C)=2GM20B

(D)=2GM20C  
(E)=2GM20F  
(F)=2GM20FVE

Fig.27 コネクティングロッド  
CONNECTING ROD



No.	Lev.	Parts No.	Description	Q'ty						I	R
				(A)	(B)	(C)	(D)	(E)	(F)		
1	1	728171-23100	ROD ASSY, CONNECTING	2	2	2	2	2	2		
4	2	105225-23200	BOLT, CONNECTING ROD	4	4	4	4	4	4		
5	2	705311-23600	BEARING, CRANK PIN	2	2	2	2	2	2		
7	1	105311-23380	METAL ASSY, 0.25	2	2	2	2	2	2		1
9	1	105225-23180	BEARING, PISTON PIN	2	2	2	2	2	2		2

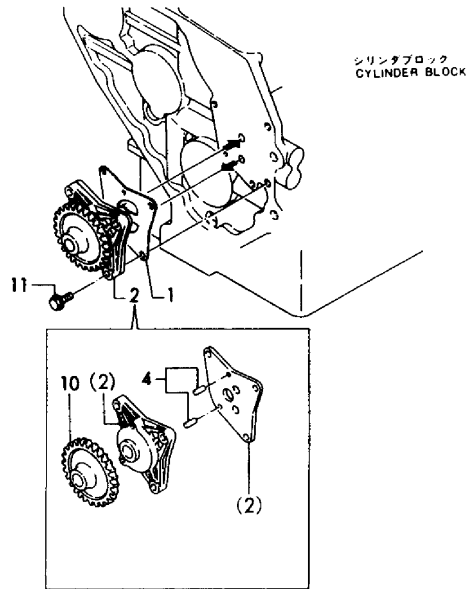
Remarks  
1) UNDER-SIZED PART.  
2) REPAIR PART.

Fig.28. LUB. OIL PUMP

(A)=2GM20  
(B)=2GM20VE  
(C)=2GM20B

(D)=2GM20C  
(E)=2GM20F  
(F)=2GM20FVE

Fig.28 潤滑油ポンプ  
LUB. OIL PUMP



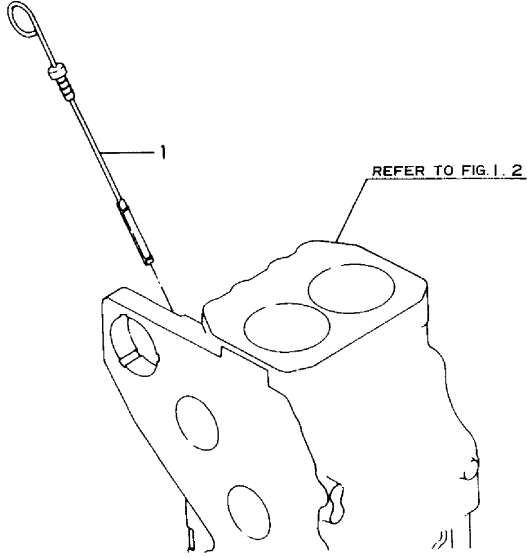
No.	Lev.	Parts No.	Description	Q'ty						I	R
				(A)	(B)	(C)	(D)	(E)	(F)		
1	1	121450-32021	GASKET, PUMP	1	1	1	1	1	1		
2	1	121575-32090	PUMP ASSY, OIL	1	1	1	1	1	1		
4	2	121450-32050	PIN	2	2	2	2	2	2		
4-1A	2	121450-32050 (A=E04634)	PIN (C=E00307) (D=E00492)	1	1	1	1	1	1	1	K
4-1B	2	121450-32060 (A=E04634)	PIN, 4X8 (C=E00307) (D=E00492)	1		1	1	1			W
10	2	121450-32200	GEAR, OIL PUMP	1	1	1	1	1	1		
11	1	26106-060202	BOLT, M6X 20 PLATED	3		3	3	3			
11-1	1	26013-060222 (A=E04634)	BOLT, M6X 22 (C=E00307) (D=E00492)	3		3	3	3			N

Fig.29. LUB. OIL DIPSTICK

(A)=2GM20  
(B)=2GM20VE  
(C)=2GM20B

(D)=2GM20C  
(E)=2GM20F  
(F)=2GM20FVE

Fig.29 検油棒  
LUB.OIL DIPSTICK



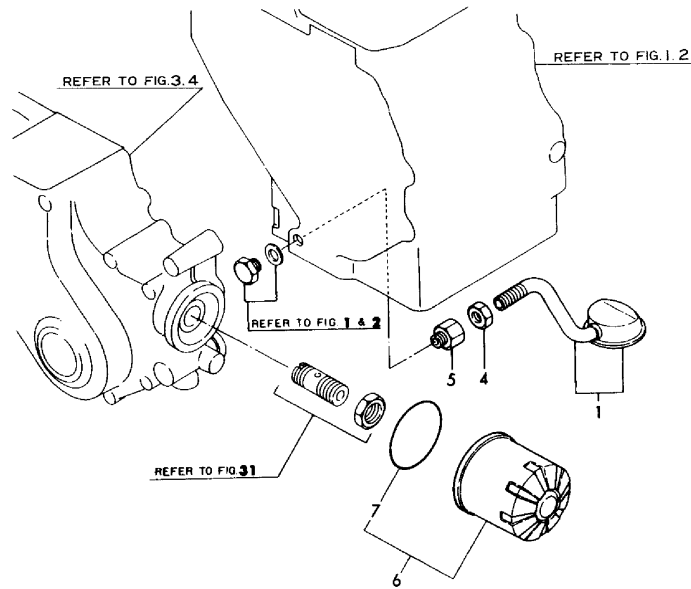
No.	Lev.	Parts No.	Description	Q'ty						I	R
				(A)	(B)	(C)	(D)	(E)	(F)		
1	1	128270-34800	DIPSTICK, OIL	1	1	1	1	1	1		

Fig.30. LUB. OIL STRAINER

(A)=2GM20  
(B)=2GM20VE  
(C)=2GM20B

(D)=2GM20C  
(E)=2GM20F  
(F)=2GM20FVE

**Fig.30** 潤滑油フィルタ  
LUB.OIL STRAINER



No.	Lev.	Parts No.	Description	Q'ty						I	R
				(A)	(B)	(C)	(D)	(E)	(F)		
1	1	128270-35090	PIPE ASSY, OIL INLET	1	1	1	1	1	1		
4	1	124450-35070	NUT, PF1/4	1	1	1	1	1	1		
5	1	121150-35100	BRACKET	1	1	1	1	1	1		
6	1	124450-35100	FILTER, OIL	1		1	1	1			
6-1	1	119660-35150	FILTER, LUB. OIL	1		1	1	1			R
		(A=E17927)	(C=E01263) (D=E01626)	(E=E17887)							
6-2	1	119305-35151	FILTER ASSY, D68XL65	1		1	1	1			N 1
		(A=EXXXXX)	(C=EXXXXX) (D=EXXXXX)	(E=EXXXXX)							
7	2	124450-35100	FILTER, OIL	1		1	1	1			Z
		(A=EXXXXX)	(C=EXXXXX) (D=EXXXXX)	(E=EXXXXX)							

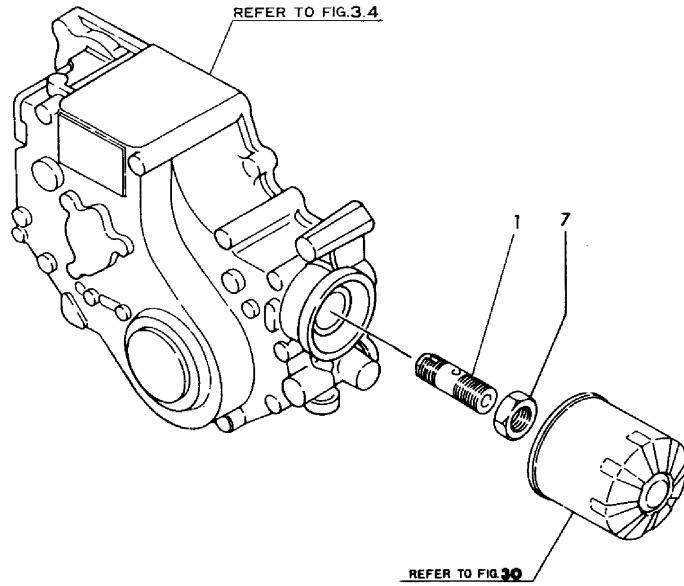
Remarks  
(1)O-ring is integrated type.  
(integrated to the LO.filter)

Fig.31. LUB. OIL PRESS. REGULATING VALVE

(A)=2GM20  
(B)=2GM20VE  
(C)=2GM20B

(D)=2GM20C  
(E)=2GM20F  
(F)=2GM20FVE

Fig. **31** 潤滑油調圧弁  
L. O. PRESS. REGULATING VALVE



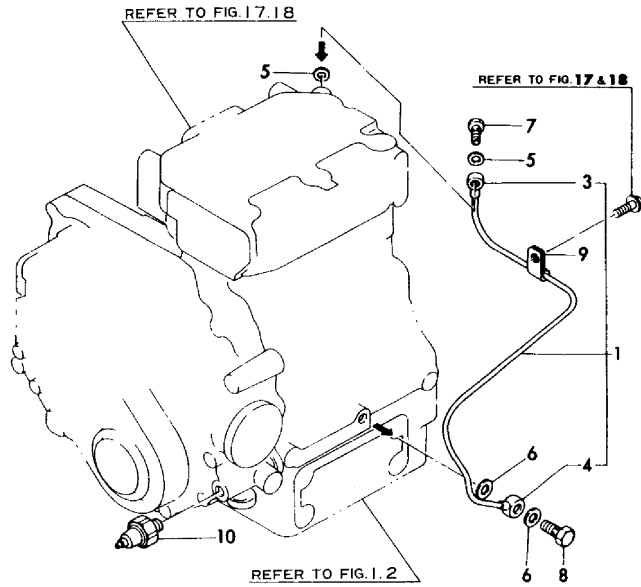
No.	Lev.	Parts No.	Description	Q'ty						I	R
				(A)	(B)	(C)	(D)	(E)	(F)		
1	1	124085-35300	VALVE ASSY, CONTROL	1	1	1	1	1	1		
7	1	124085-35350	NUT, M20	1	1	1	1	1	1		

Fig.32. LUB. OIL LINE

(A)=2GM20  
(B)=2GM20VE  
(C)=2GM20B

(D)=2GM20C  
(E)=2GM20F  
(F)=2GM20FVE

**Fig.32** 潤滑油パイプ  
LUB.OIL PIPE

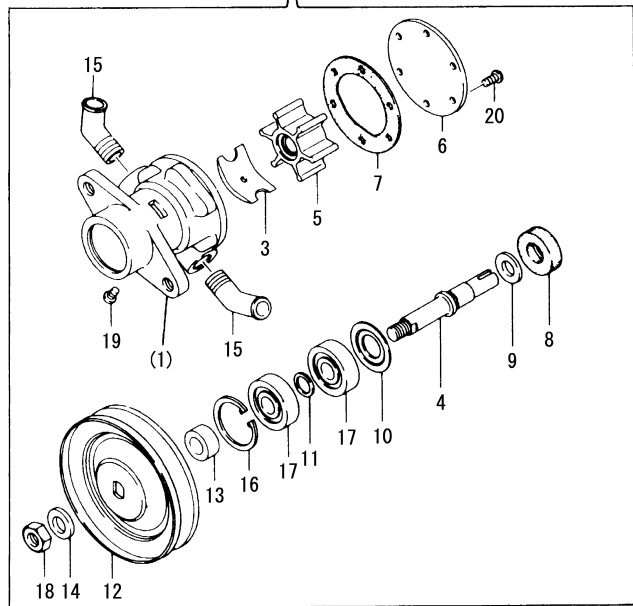
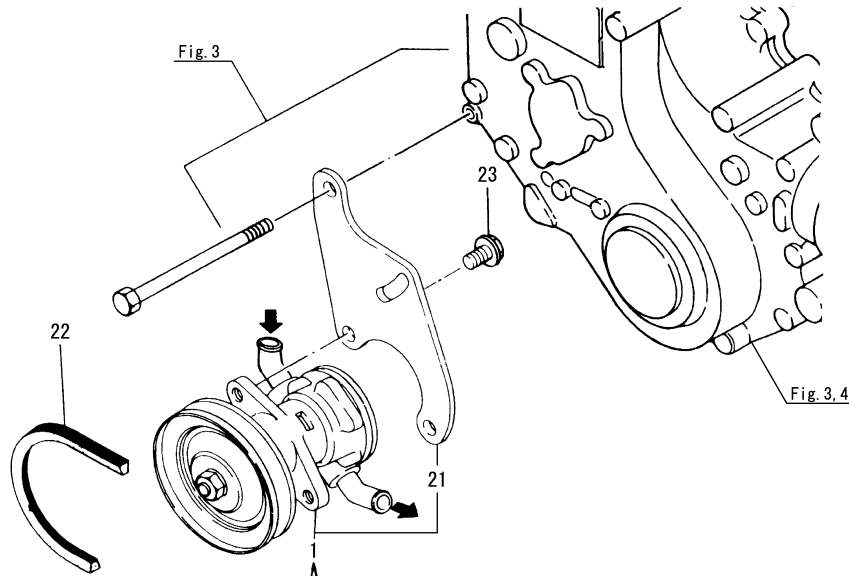


No.	Lev.	Parts No.	Description	Qty						I	R
				(A)	(B)	(C)	(D)	(E)	(F)		
1	1	128270-39200	PIPE, OIL	1	1	1	1	1	1		
3	2	103288-39170	JOINT, PIPE	1	1	1	1	1	1		
4	2	124160-39540	JOINT, PIPE 10	1	1	1	1	1	1		
5	1	23414-080000	GASKET, 8X1.0	2	2	2	2	2	2		
6	1	23414-100000	GASKET, 10X1.0	2	2	2	2	2	2		
7	1	124550-59820	BOLT, PIPE JOINT M8	1	1	1	1	1	1		
8	1	124160-39140	BOLT, PIPE JOINT M10	1	1	1	1	1	1		
9	1	124450-39240	RETAINER, PIPE	1	1	1	1	1	1		
10	1	124060-39451	SWITCH, 0.2KG	1	1	1	1	1	1		

Fig.33. COOLING SEA WATER PUMP

(A)=2GM20  
(B)=2GM20VE  
(C)=2GM20B

(D)=2GM20C  
(E)=2GM20F  
(F)=2GM20FVE



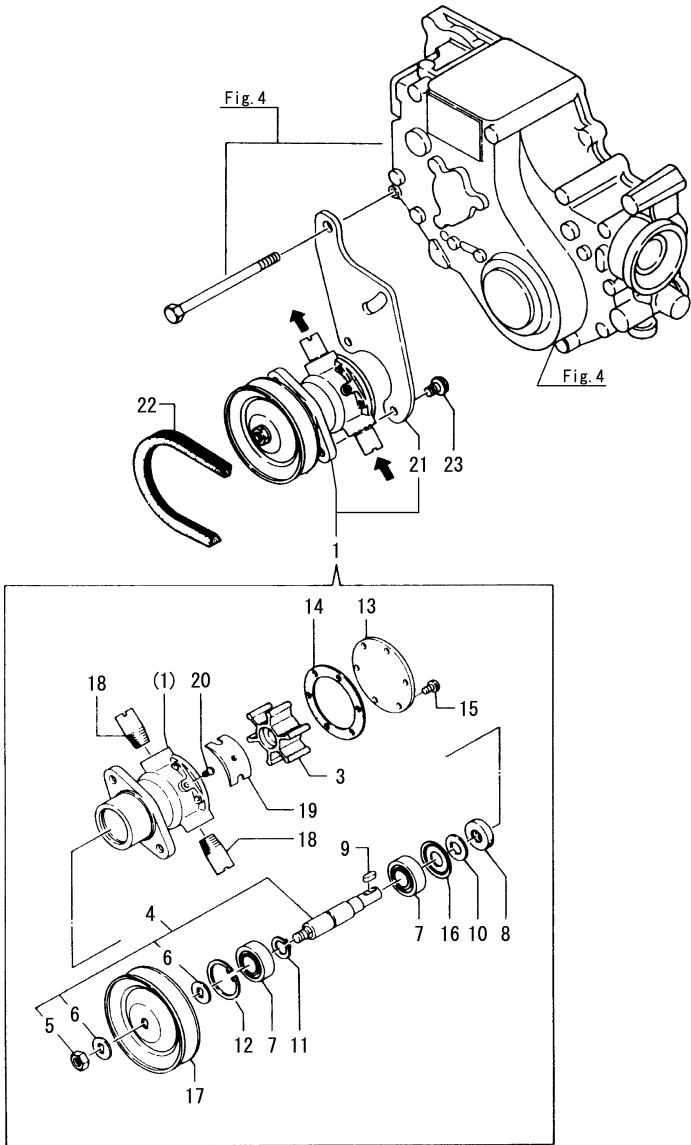
No.	Lev.	Parts No.	Description	Q'ty						I	R
				(A)	(B)	(C)	(D)	(E)	(F)		
1	1	128270-42000	PUMP ASSY, WATER	1	1	1	1				
3	2	104211-42050	CAM	1	1	1	1				
4	2	124070-42060	SHAFT, IMPELLER	1	1	1	1				
5	2	104211-42070	IMPELLER	1	1	1	1				
6	2	104211-42080	COVER	1	1	1	1				
7	2	104211-42090	GASKET	1	1	1	1				
8	2	104211-42100	SEAL, TC10X25X7	1	1	1	1				
9	2	104211-42110	PLATE	1	1	1	1				
10	2	104211-42120	COVER, BEARING	1	1	1	1				
11	2	104211-42130	PIECE, DISTANCE	1	1	1	1				
12	2	124070-42400	V-PULLEY	1	1	1	1				
13	2	124070-42410	COLLAR	1	1	1	1				
14	2	124070-42420	WASHER	1	1	1	1				
15	2	128270-49300	ELBOW, 1/4	2	2	2	2				
16	2	22252-000300	RING, 30	1	1	1	1				
17	2	24107-062004	BEARING, BALL 6200ZZ	2	2	2	2				
18	2	26347-080002	NUT, M8	1	1	1	1				
19	2	26554-040062	SCREW, M4X 6	1	1	1	1				
20	2	26554-040082	SCREW, M4X 8	6	6	6	6				
21	2	128270-42150	BRACKET, PUMP	1	1	1	1				
22	1	104511-78780	V-BELT, M/19	1	1	1	1				
23	1	26106-080122	BOLT, M8X 12 PLATED	2	2	2	2				



Fig.34. COOLING SEA WATER PUMP

(A)=2GM20  
(B)=2GM20VE  
(C)=2GM20B

(D)=2GM20C  
(E)=2GM20F  
(F)=2GM20FVE



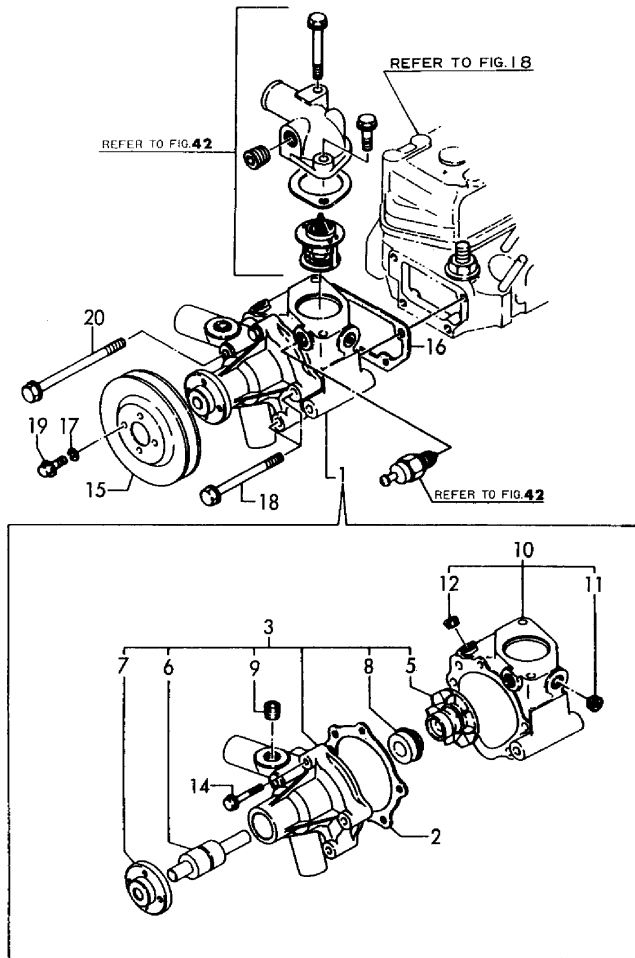
No.	Lev.	Parts No.	Description	Q'ty						I	R
				(A)	(B)	(C)	(D)	(E)	(F)		
1	1	121575-42000	PUMP ASSY, WATER					1	1		
3	2	124223-42091	IMPELLER					1	1		
4	2	721575-42500	SHAFT ASSY					1	1		
5	3	26347-080002	NUT, M8					1	1		
6	3	124070-42420	WASHER					2	2		
7	2	24107-062024	BEARING, BALL 6202ZZ					2	2		
8	2	124223-42080	SEAL, TC13X28X7					1	1		
9	2	124223-42040	KEY					1	1		
10	2	124223-42070	PIECE					1	1		
11	2	22242-000150	RING, 15					1	1		
12	2	22252-000350	RING, 35					1	1		
13	2	121575-42150	COVER					1	1		
14	2	124223-42110	GASKET, WATER PUMP					1	1		
15	2	26554-040082	SCREW, M4X 8					6	6		
16	2	121575-42120	COVER, BEARING					1	1		
17	2	124070-42400	V-PULLEY					1	1		
18	2	121575-49300	JOINT, PIPE					2	2		
19	2	124323-42100	CAM, IMPELLER					1	1		
20	2	26554-040102	SCREW, M4X10					1	1		
21	2	128270-42150	BRACKET, PUMP					1	1		
22	1	104511-78780	V-BELT, M/19					1	1		
23	1	26106-080122	BOLT, M8X 12 PLATED					2	2		

Fig.35. COOLING FRESH WATER PUMP

(A)=2GM20  
(B)=2GM20VE  
(C)=2GM20B

(D)=2GM20C  
(E)=2GM20F  
(F)=2GM20FVE

Fig. 35 冷却水ポンプ(清水)  
COOLING FRESH WATER PUMP



No.	Lev.	Parts No.	Description	Q'ty						I	R
				(A)	(B)	(C)	(D)	(E)	(F)		
1	1	128695-42010	PUMP ASSY, WATER					1		1	
2	2	121000-42051	GASKET, WATER PUMP					1		1	
3	2	121000-42100	PUMP ASSY, WATER					1		1	
5	3	129350-42200	IMPELLER					1		1	
6	3	121450-42240	BEARING, SHAFT					1		1	
7	3	121450-42260	FLANGE, V-PULLEY					1		1	
8	3	121450-42310	SEAL, MECHANICAL					1		1	
9	3	23871-030000	PLUG, R03					1		1	
10	2	728695-43500	BRACKET ASSY					1		1	
12	3	23871-020000	PLUG, R02					1		1	
13	3	23871-030000	PLUG, R03					1		1	
14	2	26106-060322	BOLT, M6X 32 PLATED					1		1	
15	1	128695-42350	V-PULLEY					1		1	
16	1	121450-44410	GASKET					1		1	
17	1	22217-060000	WASHER, SPRING 6					4		4	
18	1	26106-080902	BOLT, M8X 90 PLATED					3		3	
19	1	26106-060102	BOLT, M6X 10 PLATED					4		4	
20	1	26106-081102	BOLT, M8X110 PLATED					1		1	

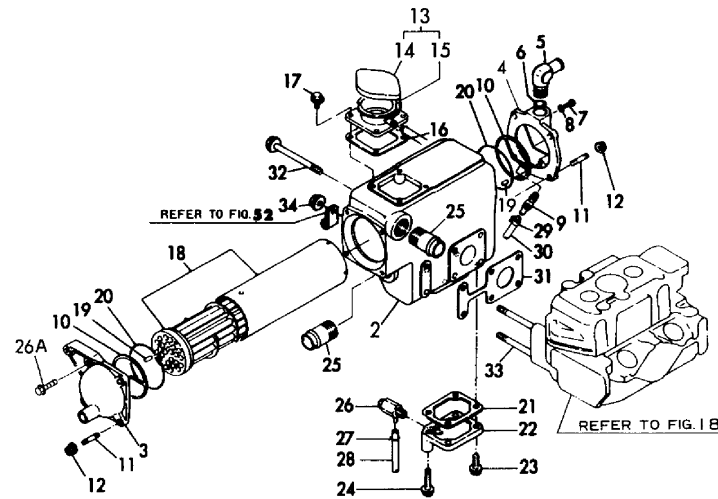
Fig.36. COOLING FRESH WATER COOLER

(A)=2GM20  
(B)=2GM20VE  
(C)=2GM20B

(D)=2GM20C  
(E)=2GM20F  
(F)=2GM20FVE

Fig. 36 清水クーラ  
COOLING FRESH WATER COOLER

見出しNo. 1は、見出しNo. 2から26Aを含みます。  
↓ inc. 2 ~ 26A



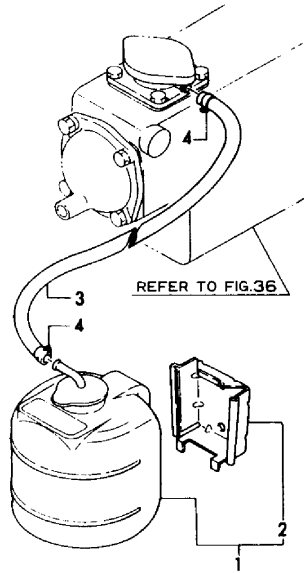
No.	Lev.	Parts No.	Description	Q'ty						I	R	
				(A)	(B)	(C)	(D)	(E)	(F)			
1	1	728290-44501	COOLER ASSY, WATER							1		
1-1	1	128290-44900	COOLER ASSY, WATER							1		N
				(E=E17431)								
2	2	128290-44011	BODY, COOLER							1	1	
3	2	128290-44050	COVER							1	1	
4	2	128690-44060	COVER, COOLER							1	1	
5	3	128690-49310	ELBOW							1	1	
6	3	24311-000160	O-RING, 1AP16.0							1	1	
7	3	26554-050102	SCREW, M5X10							1	1	
8	3	23414-050000	GASKET, 5X1.0							1	1	
9	2	128695-44090	COCK							1	1	
10	2	128695-44070	GASKET							2	2	
11	2	26216-060182	STUD, M6X 18							1	1	
12	2	26366-060002	NUT, M6							1	1	
13	2	123682-44190	FILLER ASSY							1	1	
14	3	123682-44210	CAP, RADIATOR							1	1	
15	3	123682-44220	CHAIN							1	1	
16	2	123682-44200	GASKET							1		
16-1	2	123682-44201	GASKET							1		N
				(E=E17941)								
17	2	26106-060142	BOLT, M6X 14 PLATED							4	4	
18	2	128290-44400	PIPE, WATER							1	1	
19	2	124790-44470	PIN							2	2	
20	2	24311-000700	O-RING, 1AP70.0							2	2	
21	2	121450-11680	GASKET							1		
21-1	2	121450-11681	GASKET							1		N
				(E=E17941)								
22	2	128290-44481	COVER							1	1	
23	2	26106-080202	BOLT, M8X 20 PLATED							3	3	
24	2	26106-080352	BOLT, M8X 35 PLATED							1	1	
25	2	124160-49480	JOINT, PIPE							2	2	
26	2	120130-49350	COCK, 1/4							1	1	
26A	2	26106-060182	BOLT, M6X 18 PLATED							7		W
				(E=E17941)								
27	1	124460-77680	RETAINER							1	1	
28	1	23061-070300	PIPE, 7X 300							1	1	
29	1	124722-59050	CLIP, HOSE 9							1		
29-1	1	124460-77680	RETAINER							1		N
				(E=E20327)								
30	1	23061-070300	PIPE, 7X 300							1	1	
31	1	128290-13250	GASKET							1		
31-1	1	128290-13251	GASKET							1		N
				(E=E17941)								
32	1	26106-080852	BOLT, M8X 85 PLATED							4	4	
33	1	26216-080852	STUD, M8X 85							2	2	
34	1	26366-080002	NUT, M8							2	2	

Fig.37. SUBTANK

(A)=2GM20  
(B)=2GM20VE  
(C)=2GM20B

(D)=2GM20C  
(E)=2GM20F  
(F)=2GM20FVE

Fig. 37 サブタンク  
SUBTANK



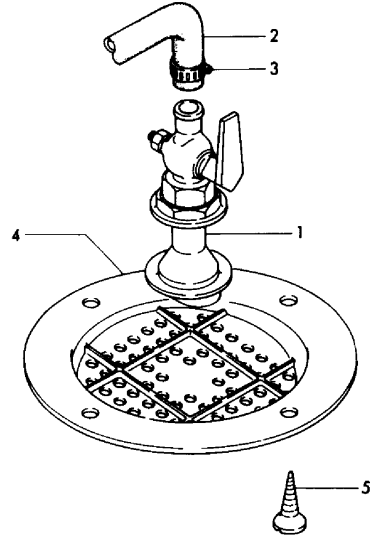
No.	Lev.	Parts No.	Description	Q'ty						I	R	
				(A)	(B)	(C)	(D)	(E)	(F)			
1	1	720445-44200	TANK ASSY, SUB					1				
1-1	1	120445-44530	TANK, SUB					1			S	
				(E=E12988)								
2	1	120445-44540	SUPPORT					1	1			
3	1	124790-44560	PIPE, WATER L=1000					1	1			
4	1	23010-013000	CLAMP 13					2	2			

Fig.38. KINGSTON COCK

(A)=2GM20  
(B)=2GM20VE  
(C)=2GM20B

(D)=2GM20C  
(E)=2GM20F  
(F)=2GM20FVE

Fig. 38 キングストーンコック  
KINGSTON COCK



No.	Lev.	Parts No.	Description	Q'ty						I	R
				(A)	(B)	(C)	(D)	(E)	(F)		
1	1	43662-010030	COCK ASSY, SEA WATER	1	1	1					1
2	1	104211-49080	PIPE, 13/20X2M	1	1	1					1
3	1	23000-022000	CLAMP, 22	3	3	3					1
4	1	43666-020951	COVER, STRAINER	1	1	1					1
5	1	22724-800380	SCREW, 8.0X38	4	4	4					1

Remarks

1)OPTIONAL FOR 2GM20 & 2GM20VE

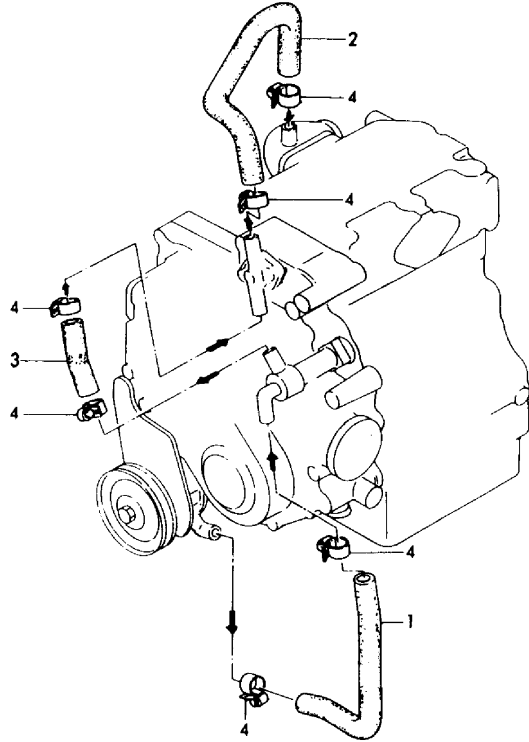
N:Old  $\xrightarrow{\text{Yes}}$  New, Q:Old  $\xrightarrow{\text{No}}$  New, R:Old  $\xrightarrow{\text{Yes}}$  New, S:Old  $\xrightarrow{\text{No}}$  New, W:Add, Z:Discontinued, F:Interchangeable by set, K:Q'ty Change

Fig.39. COOLING SEA WATER LINE

(A)=2GM20  
(B)=2GM20VE  
(C)=2GM20B

(D)=2GM20C  
(E)=2GM20F  
(F)=2GM20FVE

Fig. **39** 冷却水パイプ(海水)  
COOLING SEA WATER PIPE



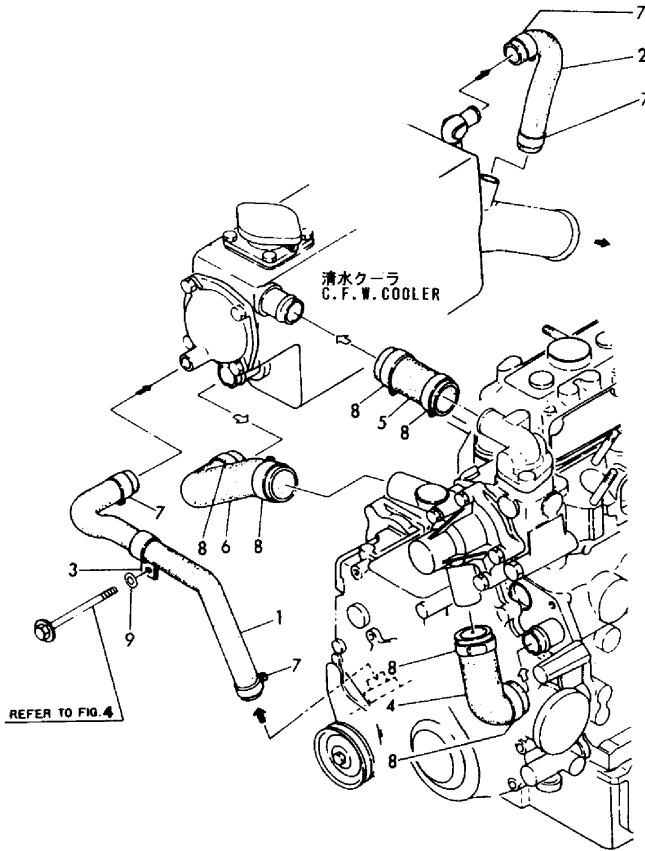
No.	Lev.	Parts No.	Description	Q'ty						I	R
				(A)	(B)	(C)	(D)	(E)	(F)		
1	1	128270-49010	PIPE, WATER	1		1	1				
2	1	128270-49020	PIPE, WATER	1	1	1	1				
3	1	128270-49050	PIPE, WATER	1	1	1	1				
4	1	23000-022000	CLAMP, 22	6	4	6	6				

Fig.40. COOLING FRESH WATER LINE

(A)=2GM20  
(B)=2GM20VE  
(C)=2GM20B

(D)=2GM20C  
(E)=2GM20F  
(F)=2GM20FVE

Fig.40 冷却水パイプ(清水)  
COOLING FRESH WATER PIPE



No.	Lev.	Parts No.	Description	Q'ty						I	R	
				(A)	(B)	(C)	(D)	(E)	(F)			
1	1	128690-49010	PIPE, WATER					1				
1A	1	128291-49020	PIPE, WATER								1	
2	1	124770-49040	PIPE, WATER					1			1	
3	1	121575-49310	RETAINER, PIPE					1			1	
4	1	128290-49510	PIPE, WATER					1			1	
5	1	128695-49520	PIPE, WATER					1			1	
6	1	128695-49530	PIPE, WATER					1			1	
7	1	23000-025000	CLAMP, 25					4			3	
8	1	23000-041000	CLAMP, 41					6			6	
9	1	22137-060000	WASHER, 6					1				W

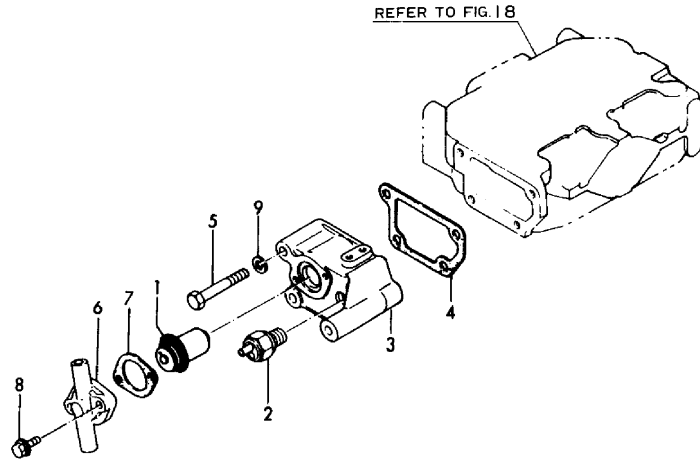
(E=EXXX)

Fig.41. THERMOSTAT

(A)=2GM20  
(B)=2GM20VE  
(C)=2GM20B

(D)=2GM20C  
(E)=2GM20F  
(F)=2GM20FVE

Fig.41 サーモスタット  
THERMOSTAT



No.	Lev.	Parts No.	Description	Q'ty						I	R
				(A)	(B)	(C)	(D)	(E)	(F)		
1	1	105582-49200	THERMOSTAT	1	1	1	1				
2	1	128275-91340	SWITCH, 65	1	1	1	1				
3	1	128270-49100	BRACKET	1	1	1	1				
4	1	121450-44410	GASKET	1	1	1	1				
5	1	26116-080602	BOLT, M8X 60 PLATED	4	4	4	4				
6	1	128170-49150	COVER, THERMOSTAT	1	1	1	1				
7	1	104211-49160	GASKET	1	1	1	1				
8	1	26106-060182	BOLT, M6X 18 PLATED	2	2	2	2				
9	1	22217-080000	WASHER, SPRING 8	4	4	4	4				

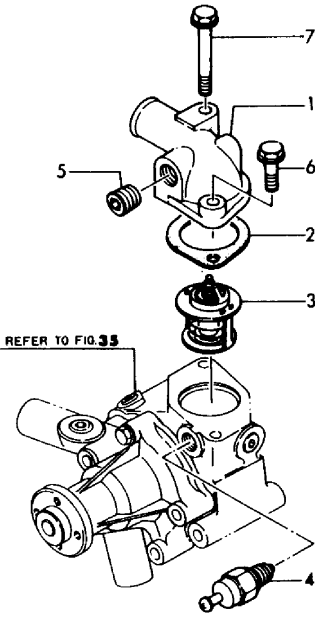


Fig.42. THERMOSTAT

(A)=2GM20  
(B)=2GM20VE  
(C)=2GM20B

(D)=2GM20C  
(E)=2GM20F  
(F)=2GM20FVE

Fig. 42 サーモスタット  
THERMOSTAT



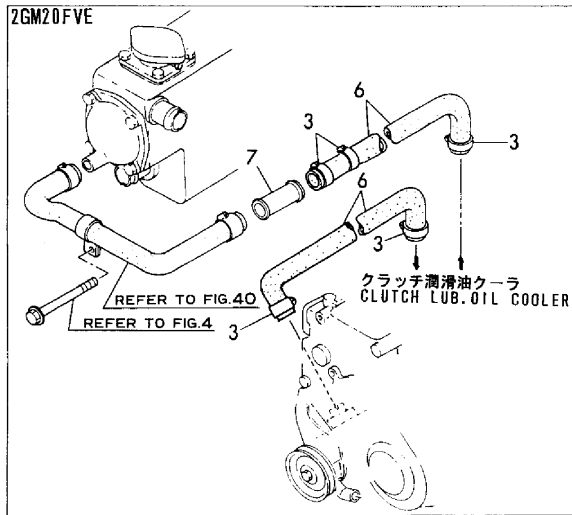
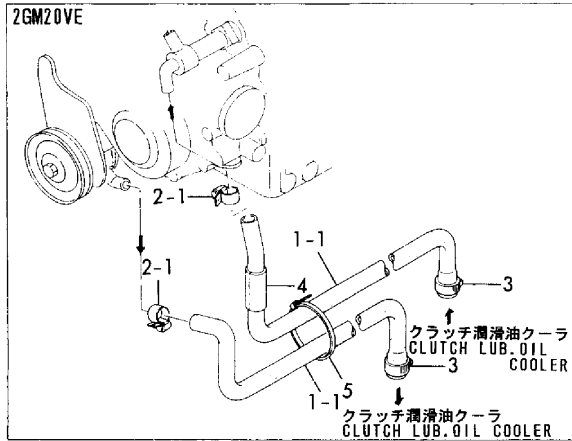
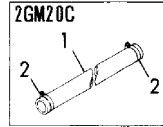
No.	Lev.	Parts No.	Description	Q'ty						I	R	
				(A)	(B)	(C)	(D)	(E)	(F)			
1	1	128690-49530	COVER, THERMOSTAT							1		
1-1	1	124101-49530	COVER, THERMOSTAT							1		S
				(E=E08627)								
2	1	129350-49540	GASKET							1		
2-1	1	124736-49540	GASKET							1		S
				(E=EXXX)								
3	1	121750-49800	THERMOSTAT							1	1	
4	1	127610-91350	SWITCH, 95							1	1	
5	1	23873-030000	PLUG, R03							1		Z
				(E=EXXX)								
6	1	26106-080302	BOLT, M8X 30 PLATED							1	1	
7	1	26106-080652	BOLT, M8X 65 PLATED							1	1	

Fig.43. COOLING SEA WATER LINE(OPTIONAL)

(A)=2GM20  
(B)=2GM20VE  
(C)=2GM20B

(D)=2GM20C  
(E)=2GM20F  
(F)=2GM20FVE

Fig. 43 冷却水パイプ(海水)(オプション)  
COOLING SEA WATER PIPE(OPTIONAL)



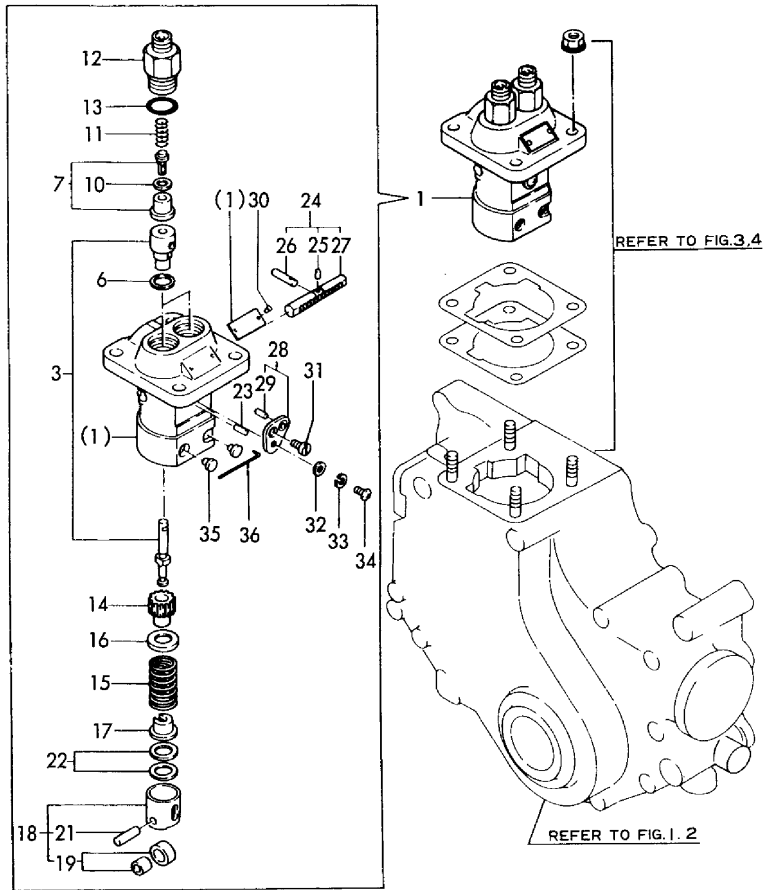
No.	Lev.	Parts No.	Description	Q'ty						I	R	
				(A)	(B)	(C)	(D)	(E)	(F)			
1	1	128170-49080	PIPE, WATER				1					
1-1	1	128170-49081	PIPE, WATER				1					N
				(D=E01081)								
2	1	23000-022000	CLAMP, 22						2			
2-1	1	23000-022000	CLAMP, 22			2			1			K
				(D=E01081)								
3	1	23000-025000	CLAMP, 25							1		W
				(D=E01081)								
4	1	128271-49450	TUBE, PROTECT				1					
5	1	121750-59890	BAND, 140				1					
6	1	124223-49050	PIPE, WATER								2	
7	1	128291-49250	JOINT								1	

Fig.44. FUEL INJECTION PUMP

(A)=2GM20  
(B)=2GM20VE  
(C)=2GM20B

(D)=2GM20C  
(E)=2GM20F  
(F)=2GM20FVE

Fig.44 燃料噴射ポンプ  
FUEL INJECTION PUMP



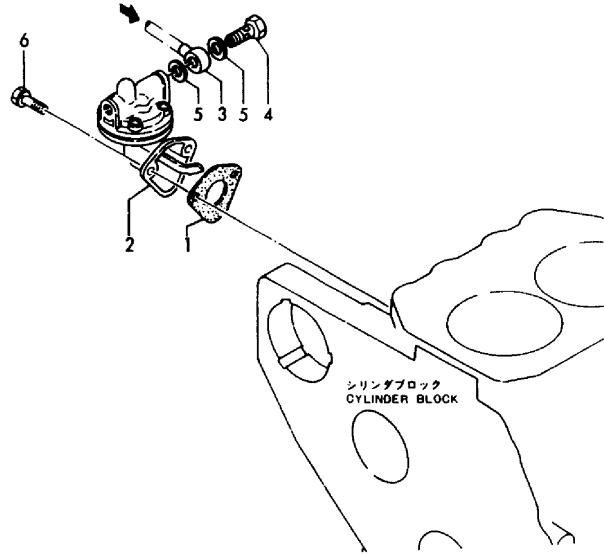
No.	Lev.	Parts No.	Description	Q'ty						I	R
				(A)	(B)	(C)	(D)	(E)	(F)		
1	1	728271-51100	PUMP ASSY, INJECTION	1	1	1	1				
1-1	1	728271-51101	PUMP ASSY, INJECTION	1	1	1	1	1	1		N
		(A=E21044)	(C=E01586) (D=E02109)					(E=E21038)			
3	2	128170-51101	PLUNGER ASSY	2	2	2	2	2	2		
6	2	124950-51270	GASKET	2	2	2	2	2	2		
7	2	128170-51300	VALVE ASSY, DELIVERY	2		2	2	2			
7-1	2	105500-51300	VALVE ASSY, DELIVERY	2	2	2	2	2	2		N
		(A=E21044)	(C=E01586) (D=E02109)					(E=E21038)			
10	2	124550-51350	GASKET, DELIVERY	2	2	2	2	2	2		
11	2	124550-51320	SPRING, DELIVERY	2	2	2	2	2	2		
12	2	124550-51341	HOLDER, DELIVERY L43	2	2	2	2	2	2		
13	2	124550-51370	O-RING	2	2	2	2	2	2		
14	2	124950-51510	PINION	2	2	2	2	2	2		
15	2	124950-51190	SPRING, PLUNGER	2	2	2	2	2	2		
16	2	174307-51170	RETAINER, SPRING A	2	2	2	2	2	2		
17	2	174307-51181	RETAINER, SPRING B	2	2	2	2	2	2		
18	2	724550-51520	GUIDE, PLUNGER	2	2	2	2	2	2		
19	3	711100-51540	ROLLER ASSY	2	2	2	2	2	2		
21	3	174100-54120	PIN	2	2	2	2	2	2		
22	2	174307-51700	SHIM SET	2	2	2	2	2	2		
23	2	103854-51251	PIN, PLUNGER	1	1	1	1	1	1		
24	2	124085-51500	RACK, CONTROL	1	1	1	1	1	1		
25	3	121450-51550	PIN	1	1	1	1	1	1		
26	3	124550-51590	RETAINER	1	1	1	1	1	1		
28	2	124950-51640	PLATE ASSY, ADJUST	1	1	1	1	1	1		
29	3	124950-51670	PIN	1	1	1	1	1	1		
29A	3	124950-51650	PLATE	1	1	1	1	1	1		W
		(A=E06223)	(C=E00378) (D=E00564)					(E=E06462)			
30	2	124220-51890	RIVET	2	2	2	2	2	2		
31	2	103854-51660	SCREW	1	1	1	1	1	1		
32	2	22117-050000	WASHER, 5	1	1	1	1	1		Z	
		(A=E06223)	(C=E00378) (D=E00564)					(E=E06462)			
33	2	22217-050000	WASHER, SPRING 5	1	1	1	1	1		Z	
		(A=E06223)	(C=E00378) (D=E00564)					(E=E06462)			
34	2	26587-050102	SCREW, M5X10	1	1	1	1	1			
34-1	2	26033-050102	SCREW, M5X10	1	1	1	1	1	1		N
		(A=E06223)	(C=E00378) (D=E00564)					(E=E06462)			
35	2	124950-51450	PIECE, GUIDE	2	2	2	2	2	2		
36	2	174307-51460	PIN, LOCK	1	1	1	1	1	1		

Fig.45. FUEL FEED PUMP

(A)=2GM20  
(B)=2GM20VE  
(C)=2GM20B

(D)=2GM20C  
(E)=2GM20F  
(F)=2GM20FVE

Fig. 45 燃料フィードポンプ  
FUEL FEED PUMP



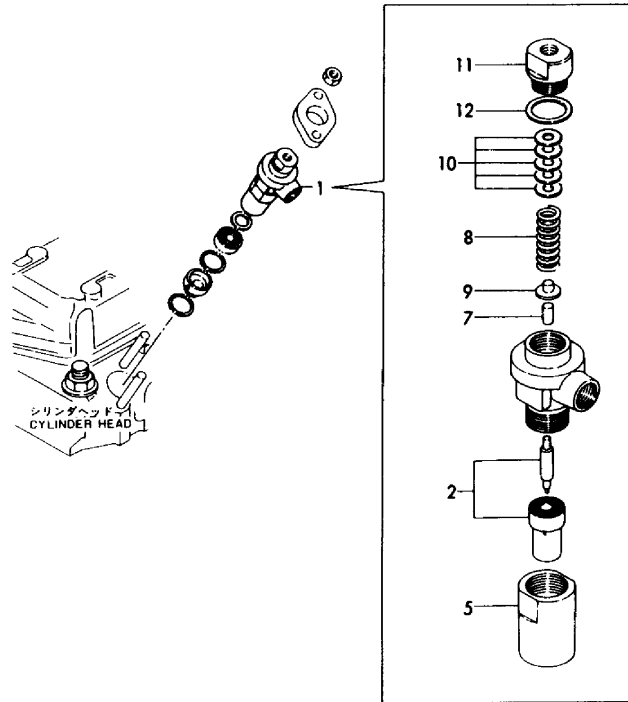
No.	Lev.	Parts No.	Description	Q'ty						I	R
				(A)	(B)	(C)	(D)	(E)	(F)		
1	1	121520-01850	GASKET	1		1	1	1			
1-1	1	121520-01851	GASKET	1		1	1	1			N
		(A=E16293)	(C=E01046)	(D=E01482)	(E=E16283)						
2	1	129301-52020	PUMP ASSY, FUEL FEED	1	1	1	1	1	1	1	
3	1	104264-59030	JOINT, PIPE 8	1	1	1	1	1	1	1	
4	1	105582-59150	BOLT, PIPE JOINT	1	1	1	1	1	1	1	
5	1	23414-080000	GASKET, 8X1.0	2	2	2	2	2	2	2	
6	1	26013-060162	BOLT, M6X 16	2	2	2	2	2	2	2	

Fig.46. FUEL INJECTION VALVE

(A)=2GM20  
(B)=2GM20VE  
(C)=2GM20B

(D)=2GM20C  
(E)=2GM20F  
(F)=2GM20FVE

Fig. 46 燃料噴射弁  
FUEL INJECTION VALVE



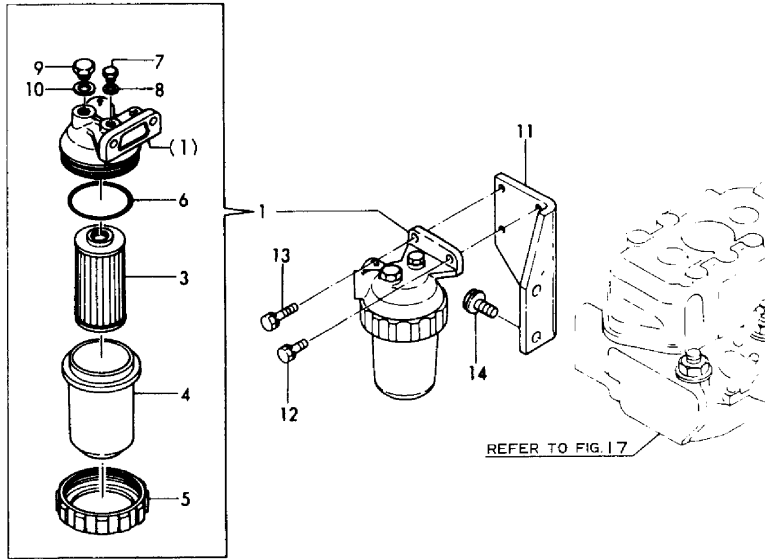
No.	Lev.	Parts No.	Description	Q'ty						I	R
				(A)	(B)	(C)	(D)	(E)	(F)		
1	1	728170-53100	VALVE ASSY,INJECTION	2	2	2	2	2	2		
2	2	124770-53000	VALVE ASSY,INJECTION	2	2	2	2	2	2		
5	2	128170-53080	NUT, NOZZLE	2	2	2	2	2	2		
7	2	113200-53110	SPINDLE, INTER	2	2	2	2	2	2		
8	2	104211-53120	SPRING, NOZZLE	2	2	2	2	2	2		
9	2	113200-53120	RETAINER, SPRING	2	2	2	2	2	2		
10	2	110250-53150	PLATE ASSY, ADJUST	2	2	2	2	2	2		
11	2	103854-53180	RETAINER, SPRING	2	2	2	2	2	2		
12	2	172100-53200	GASKET	2	2	2	2	2	2		

Fig.47. FUEL STRAINER

(A)=2GM20  
(B)=2GM20VE  
(C)=2GM20B

(D)=2GM20C  
(E)=2GM20F  
(F)=2GM20FVE

Fig. 47 燃料フィルタ  
FUEL STRAINER



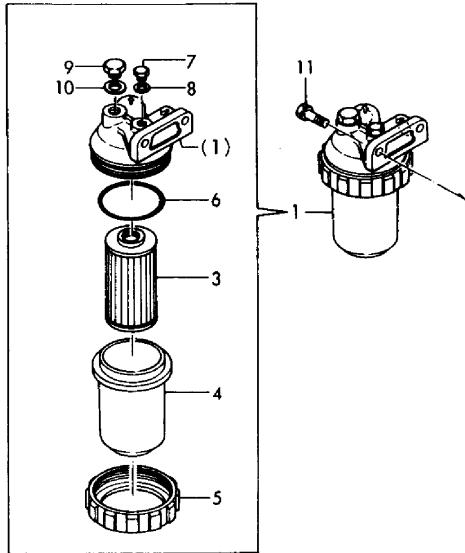
No.	Lev.	Parts No.	Description	Q'ty						I	R
				(A)	(B)	(C)	(D)	(E)	(F)		
1	1	124790-55601	STRAINER ASSY, FUEL	1	1	1	1				
3	2	104500-55710	ELEMENT	1	1	1	1				
4	2	121370-55730	CUP, STRAINER	1	1	1	1				
5	2	110250-55610	RING, RETAINING	1	1	1	1				
6	2	24341-000440	O-RING, 1AS44.0	1	1	1	1				
7	2	101720-55750	PLUG, 6	1	1	1	1				
8	2	23418-060000	GASKET, 6X1.0	1	1	1	1				
9	2	135210-51900	PLUG	1	1	1	1				
10	2	23414-080012	GASKET, 8X1.0	1	1	1	1				
11	1	128270-55610	BRACKET, STRAINER	1	1	1	1				
12	1	26013-060162	BOLT, M6X 16	1	1	1	1				
13	1	26013-060252	BOLT, M6X 25	1	1	1	1				
14	1	26106-080162	BOLT, M8X 16 PLATED	2	2	2	2				

Fig.48. FUEL STRAINER

(A)=2GM20  
(B)=2GM20VE  
(C)=2GM20B

(D)=2GM20C  
(E)=2GM20F  
(F)=2GM20FVE

Fig. **48** 燃料フィルタ  
FUEL STRAINER



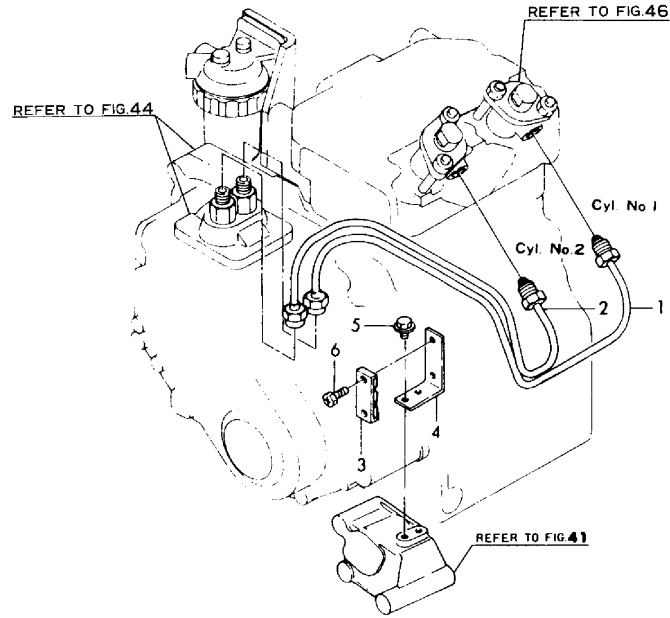
No.	Lev.	Parts No.	Description	Q'ty						I	R
				(A)	(B)	(C)	(D)	(E)	(F)		
1	1	124790-55601	STRAINER ASSY, FUEL					1			1
3	2	104500-55710	ELEMENT					1			1
4	2	121370-55730	CUP, STRAINER					1			1
5	2	110250-55610	RING, RETAINING					1			1
6	2	24341-000440	O-RING, 1AS44.0					1			1
7	2	101720-55750	PLUG, 6					1			1
8	2	23418-060000	GASKET, 6X1.0					1			1
9	2	135210-51900	PLUG					1			1
10	2	23414-080012	GASKET, 8X1.0					1			1
11	1	26013-060162	BOLT, M6X 16							2	2

Fig.49. FUEL INJECTION LINE

(A)=2GM20  
(B)=2GM20VE  
(C)=2GM20B

(D)=2GM20C  
(E)=2GM20F  
(F)=2GM20FVE

Fig. 49 燃料噴射パイプ  
FUEL INJECTION PIPE



No.	Lev.	Parts No.	Description	Q'ty						I	R
				(A)	(B)	(C)	(D)	(E)	(F)		
1	1	128270-59810	PIPE ASSY, INJECTION	1	1	1	1				
2	1	128270-59820	PIPE ASSY, INJECTION	1	1	1	1				
3	1	122780-59100	RETAINER	1	1	1	1				
4	1	121450-59850	BRACKET	1	1	1	1				
5	1	26106-060122	BOLT, M6X 12 PLATED	2	2	2	2				
6	1	121465-59950	BOLT, M6X16	2	2	2	2				

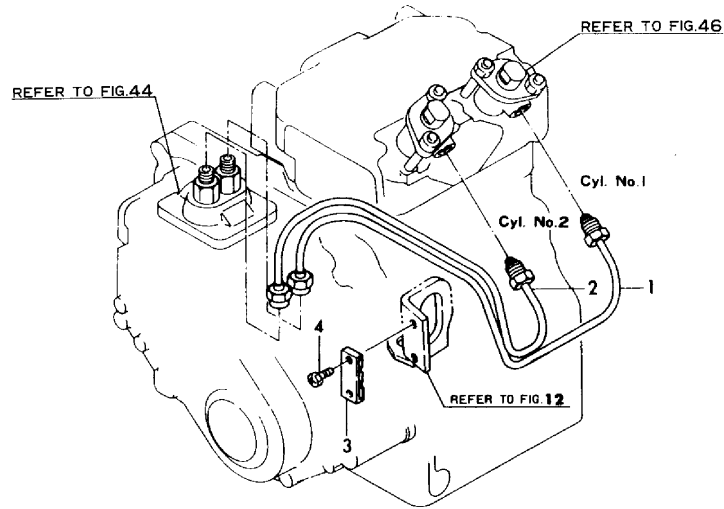


Fig.50. FUEL INJECTION LINE

(A)=2GM20  
(B)=2GM20VE  
(C)=2GM20B

(D)=2GM20C  
(E)=2GM20F  
(F)=2GM20FVE

Fig.50 燃料噴射パイプ  
FUEL INJECTION PIPE



No.	Lev.	Parts No.	Description	Qty						I	R	
				(A)	(B)	(C)	(D)	(E)	(F)			
1	1	128290-59810	PIPE ASSY, INJECTION					1			1	
2	1	128290-59820	PIPE ASSY, INJECTION					1			1	
3	1	123372-59100	RETAINER, PIPE					1			1	
4	1	121465-59950	BOLT, M6X16							2		2

---

---

---

---

---

---

---

---

---

---

---

---

---

---

---

---

---

---

---

---

---

---

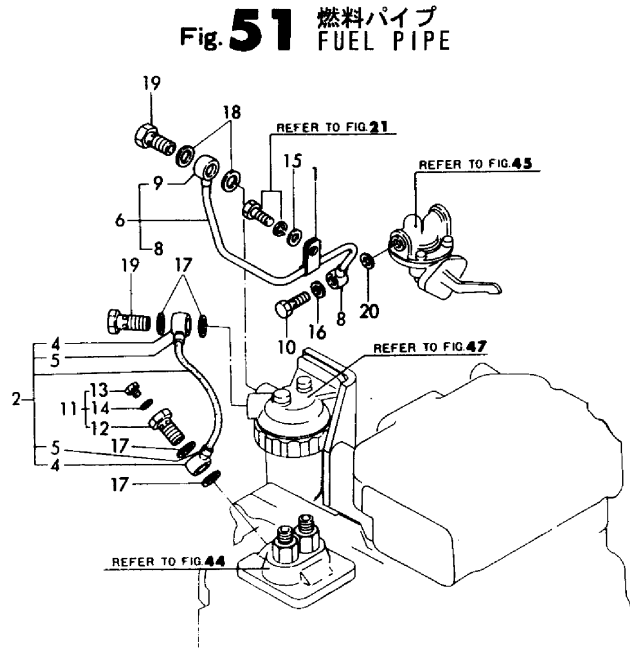
---

---

Fig.51. FUEL LINE

(A)=2GM20  
(B)=2GM20VE  
(C)=2GM20B

(D)=2GM20C  
(E)=2GM20F  
(F)=2GM20FVE



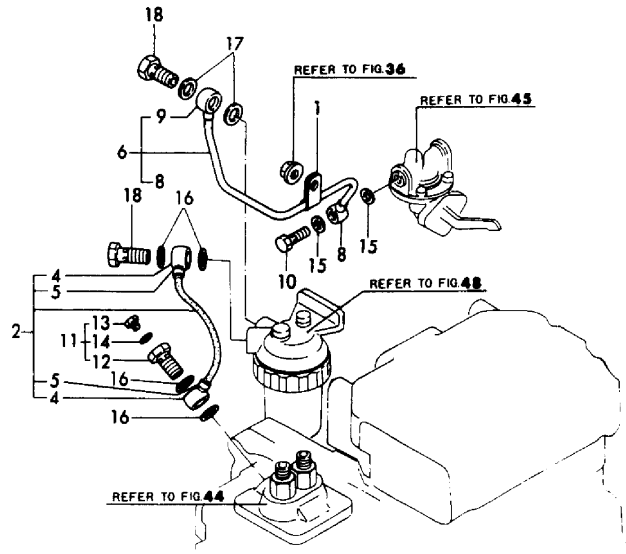
No.	Lev.	Parts No.	Description	Q'ty						I	R
				(A)	(B)	(C)	(D)	(E)	(F)		
1	1	124450-39240	RETAINER, PIPE	1	1	1	1				
2	1	128270-59011	PIPE ASSY, FUEL	1	1	1	1				
4	2	104264-59020	JOINT	2	2	2	2				
5	2	104264-59040	CAP	2	2	2	2				
6	1	128270-59080	PIPE ASSY, FUEL	1	1	1	1				
8	2	135210-39140	JOINT, PIPE	1	1	1	1				
9	2	23341-060000	JOINT, PIPE 6-12	1	1	1	1				
10	1	105582-59150	BOLT, PIPE JOINT	1	1	1	1				
11	1	103854-59191	BOLT ASSY, JOINT M12	1	1	1	1				
12	2	103854-59201	BOLT, PIPE JOINT M12	1	1	1	1				
13	2	124060-59380	PLUG, 6	1	1	1	1				
14	2	43400-500390	SEAL WASHER 6S	1	1	1	1				
15	1	22117-080000	WASHER, 8	1	1	1	1				
16	1	23414-080000	GASKET, 8X1.0	1	1	1	1				
17	1	23414-120000	GASKET, 12X1.0	4	4	4	4				
18	1	23414-120000	GASKET, 12X1.0	2	2	2	2				
19	1	23857-060000	BOLT, JOINT 6	2	2	2	2				
20	1	104884-59170	GASKET	1	1	1	1				

Fig.52. FUEL LINE

(A)=2GM20  
(B)=2GM20VE  
(C)=2GM20B

(D)=2GM20C  
(E)=2GM20F  
(F)=2GM20FVE

Fig.52 燃料パイプ  
FUEL PIPE



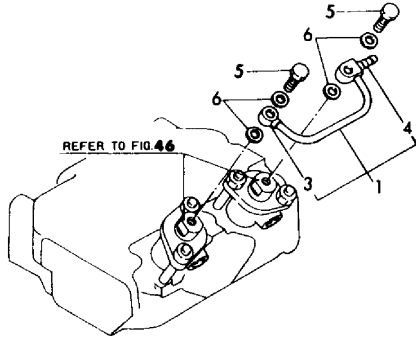
No.	Lev.	Parts No.	Description	Q'ty						I	R	
				(A)	(B)	(C)	(D)	(E)	(F)			
1	1	124450-39240	RETAINER, PIPE					1		1		
2	1	128290-59010	PIPE ASSY, FUEL					1		1		
4	2	104264-59020	JOINT					2		2		
5	2	104264-59040	CAP					2		2		
6	1	128290-59080	PIPE ASSY, FUEL					1		1		
8	2	135210-39140	JOINT, PIPE					1		1		
9	2	23341-060000	JOINT, PIPE 6-12					1		1		
10	1	105582-59150	BOLT, PIPE JOINT					1		1		
11	1	103854-59191	BOLT ASSY, JOINT M12					1		1		
12	2	103854-59201	BOLT, PIPE JOINT M12					1		1		
13	2	124060-59380	PLUG, 6					1		1		
14	2	43400-500390	SEAL WASHER 6S					1		1		
15	1	23414-080000	GASKET, 8X1.0					2		2		
16	1	23414-120000	GASKET, 12X1.0					4				
16-1	1	23414-120000	GASKET, 12X1.0					2		2		K
								(E=EXXX)				
17	1	23414-120000	GASKET, 12X1.0					2		2		
18	1	23857-060000	BOLT, JOINT 6					2		2		

Fig.53. FUEL RETURN LINE

(A)=2GM20  
(B)=2GM20VE  
(C)=2GM20B

(D)=2GM20C  
(E)=2GM20F  
(F)=2GM20FVE

Fig.53 燃料戻しパイプ  
FUEL RETURN PIPE



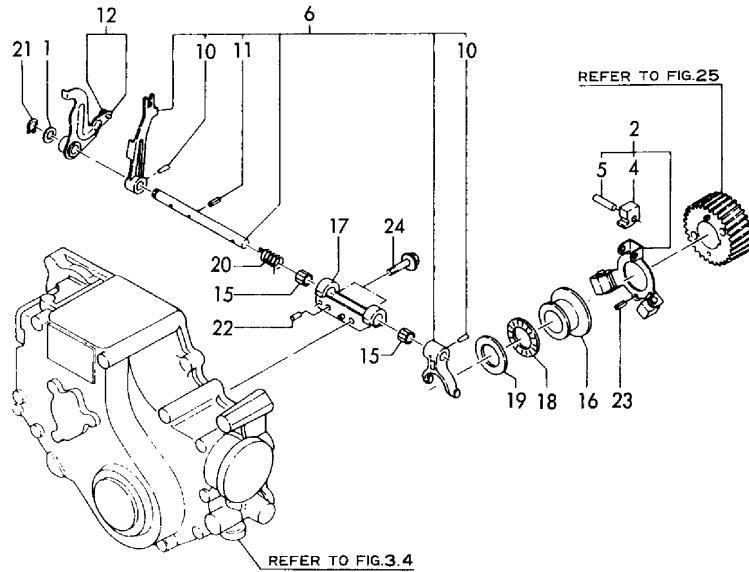
No.	Lev.	Parts No.	Description	Qty						I	R
				(A)	(B)	(C)	(D)	(E)	(F)		
1	1	105311-59500	PIPE ASSY, RETURN	1	1	1	1	1	1		
3	2	103288-39170	JOINT, PIPE	1	1	1	1	1	1		
4	2	124790-59530	JOINT	1	1	1	1	1	1		
5	1	101147-59810	BOLT, PIPE JOINT M8	2	2	2	2	2	2		
6	1	23414-080000	GASKET, 8X1.0	4	4	4	4	4	4		

Fig.54. GOVERNOR DRIVING

(A)=2GM20  
(B)=2GM20VE  
(C)=2GM20B

(D)=2GM20C  
(E)=2GM20F  
(F)=2GM20FVE

Fig. 54 ガバナ駆動  
GOVERNOR EQUIPMENT



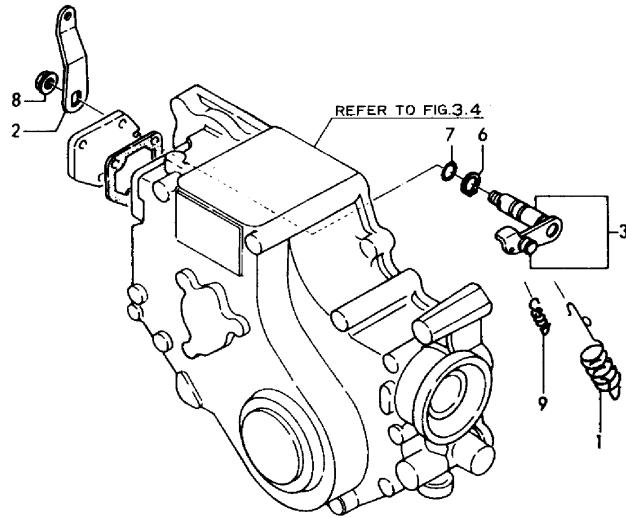
No.	Lev.	Parts No.	Description	Q'ty						I	R
				(A)	(B)	(C)	(D)	(E)	(F)		
1	1	104211-42130	PIECE, DISTANCE	1	1	1	1	1	1		
2	1	171016-61100	WEIGHT, GOVERNOR	1		1	1	1			
2-1	1	771016-61620	WEIGHT ASSY,GOVERNOR	1		1	1	1			N
4	2	104200-61200	WEIGHT, GOVERNOR	3	3	3	3	3	3		
5	2	121575-61220	PIN, GOVERNOR WEIGHT	3	3	3	3	3	3		
6	1	721500-61560	LEVER ASSY, GOVERNOR	1	1	1	1	1	1		
10	2	22322-030200	PIN, TAPER 3X20	2	2	2	2	2	2		
11	2	22351-030012	PIN, SPRING 3.0X12	1	1	1	1	1	1		
12	1	121575-61160	LEVER ASSY, CONTROL	1		1	1	1			
12-1	1	121575-61161	LEVER ASSY, CONTROL	1		1	1	1			N
15	1	122410-61650	BEARING, FJ-1010W	2	2	2	2	2	2		
16	1	121000-61600	SLEEVE, GOVERNOR	1	1	1	1	1	1		
17	1	121575-61620	SUPPORT	1	1	1	1	1	1		
18	1	121575-61710	BEARING, FNTA-2542	1	1	1	1	1	1		
19	1	121575-61720	COLLAR	1	1	1	1	1	1		
20	1	121575-66310	SPRING, STARTING	1	1	1	1	1	1		
21	1	22242-000100	RING, 10	1	1	1	1	1	1		
22	1	22312-040080	PIN, PARALLEL M4X 8	2	2	2	2	2	2		
23	1	22351-040008	PIN, SPRING 4.0X 8	2	2	2	2	2	2		
24	1	26106-060282	BOLT, M6X 28 PLATED	2	2	2	2	2	2		

Fig.55. CONTROL DEVICE

(A)=2GM20  
(B)=2GM20VE  
(C)=2GM20B

(D)=2GM20C  
(E)=2GM20F  
(F)=2GM20FVE

Fig.55 操縦装置 CONTROL DEVICE



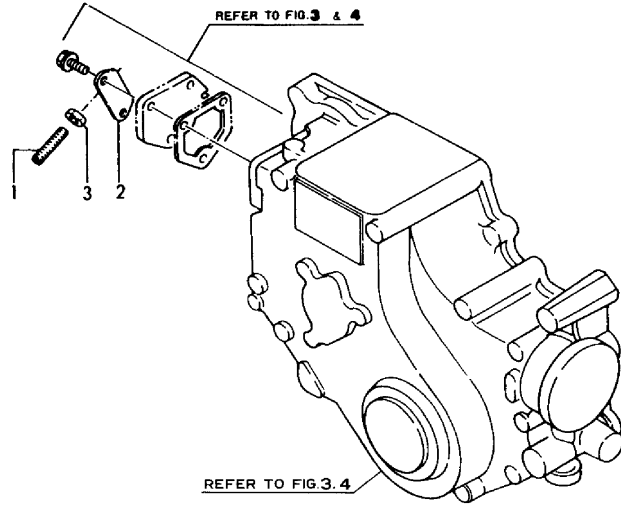
No.	Lev.	Parts No.	Description	Q'ty						I	R
				(A)	(B)	(C)	(D)	(E)	(F)		
1	1	128270-66010	SPRING, REGULATOR	1	1	1	1	1	1		
2	1	121575-66051	HANDLE, REGULATOR	1	1	1	1	1	1		
3	1	121000-66090	LEVER ASSY,REGULATOR	1	1	1	1	1	1		
6	1	22242-000120	RING, 12	1	1	1	1	1	1		
7	1	24311-000090	O-RING, 1AP9.0	1	1	1	1	1	1		
8	1	26366-080002	NUT, M8	1	1	1	1	1	1		
9	1	121575-66200	SPRING, REGULATOR	1	1	1	1	1	1		

Fig.56. IDLE ADJUSTER

(A)=2GM20  
(B)=2GM20VE  
(C)=2GM20B

(D)=2GM20C  
(E)=2GM20F  
(F)=2GM20FVE

Fig. **56** アイドルアジャスタ  
IDLE ADJUSTER



No.	Lev.	Parts No.	Description	Q'ty						I	R
				(A)	(B)	(C)	(D)	(E)	(F)		
1	1	121575-66800	SCREW	1	1	1	1	1	1		
2	1	121575-66850	RETAINER	1	1	1	1	1	1		
3	1	26756-060002	NUT, LOCK M6	1	1	1	1	1	1		

---

---

---

---

---

---

---

---

---

---

---

---

---

---

---

---

---

---

---

---

---

---

---

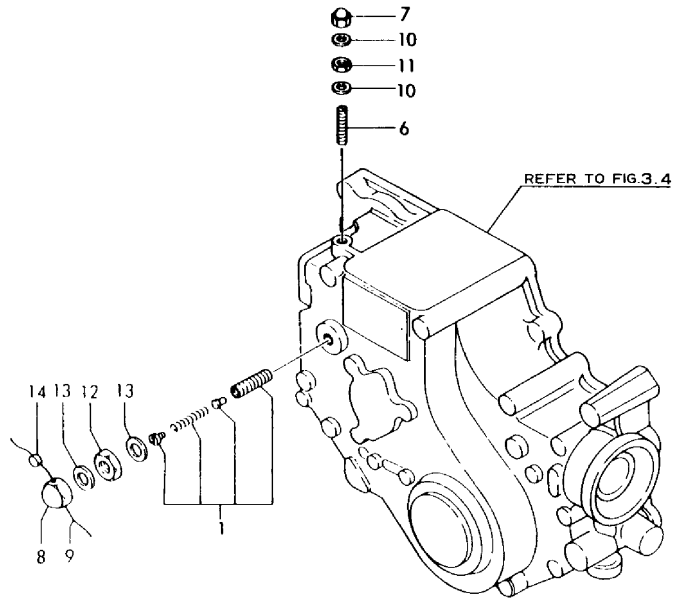
---

Fig.57. FUEL CONTROL DEVICE

(A)=2GM20  
(B)=2GM20VE  
(C)=2GM20B

(D)=2GM20C  
(E)=2GM20F  
(F)=2GM20FVE

Fig. **57** 燃料制限装置  
FUEL CONTROL DEVICE



No.	Lev.	Parts No.	Description	Q'ty						I	R
				(A)	(B)	(C)	(D)	(E)	(F)		
1	1	128270-66550	LIMITER ASSY, FUEL	1	1	1	1	1	1		
6	1	121575-66800	SCREW	1	1	1	1	1	1		
7	1	128170-66870	NUT, CAP M6	1	1	1	1	1	1		
8	1	128170-66880	NUT, CAP M12	1	1	1	1	1	1		
9	1	22451-100000	WIRE, 1.0	1	1	1	1	1	1		
10	1	23414-060000	GASKET, 6X1.0	2	2	2	2	2	2		
11	1	26756-060002	NUT, LOCK M6	1	1	1	1	1	1		
12	1	128170-66890	NUT, M12	1	1	1	1	1	1		
13	1	43400-500450	SEAL WASHER 12S	2	2	2	2	2	2		
14	1	135210-61090	LEAD	1	1	1	1	1	1		

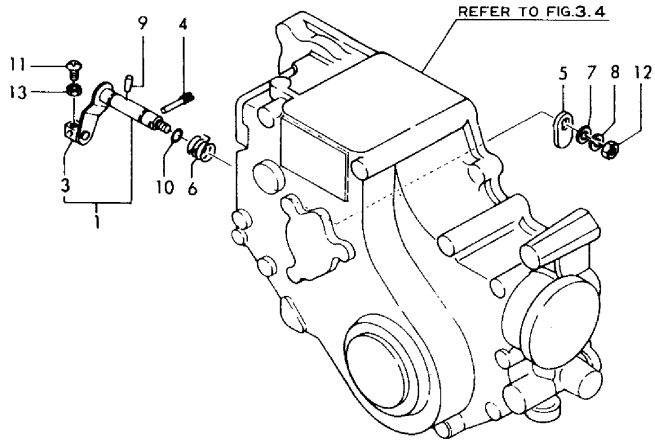


Fig.58. ENGINE STOP DEVICE

(A)=2GM20  
(B)=2GM20VE  
(C)=2GM20B

(D)=2GM20C  
(E)=2GM20F  
(F)=2GM20FVE

Fig.58 機関停止装置  
ENGINE STOP DEVICE



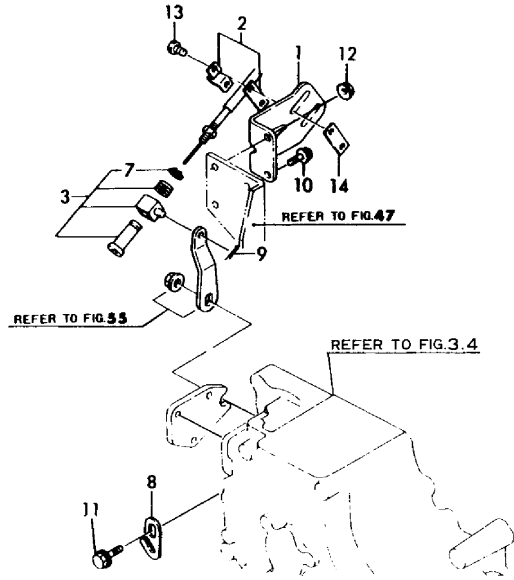
No.	Lev.	Parts No.	Description	Q'ty						I	R
				(A)	(B)	(C)	(D)	(E)	(F)		
1	1	121575-66510	LEVER ASSY, STOP	1	1	1	1	1	1		
3	2	104211-03770	RETAINER	1	1	1	1	1	1		
4	1	124250-03640	SCREW	1	1	1	1	1	1		
5	1	121575-66550	CAM	1	1	1	1	1	1		
6	1	121575-66580	SPRING, RETURN	1	1	1	1	1	1		
7	1	22117-060000	WASHER, 6	1	1	1	1	1	1		
8	1	22217-060000	WASHER, SPRING 6	1	1	1	1	1	1		
9	1	22322-030160	PIN, TAPER 3X16	1	1	1	1	1	1		
10	1	24311-000070	O-RING, 1AP7.0	1	1	1	1	1	1		
11	1	26557-050122	SCREW, M5X12	1	1	1	1	1	1		
12	1	26716-060002	NUT, M6	1	1	1	1	1	1		
13	1	26756-050002	NUT, LOCK M5	1	1	1	1	1	1		

Fig.59. SPEED REMOTE CONTROL

(A)=2GM20  
(B)=2GM20VE  
(C)=2GM20B

(D)=2GM20C  
(E)=2GM20F  
(F)=2GM20FVE

Fig.59 スピードリモコン  
SPEED REMOTE CONTROL



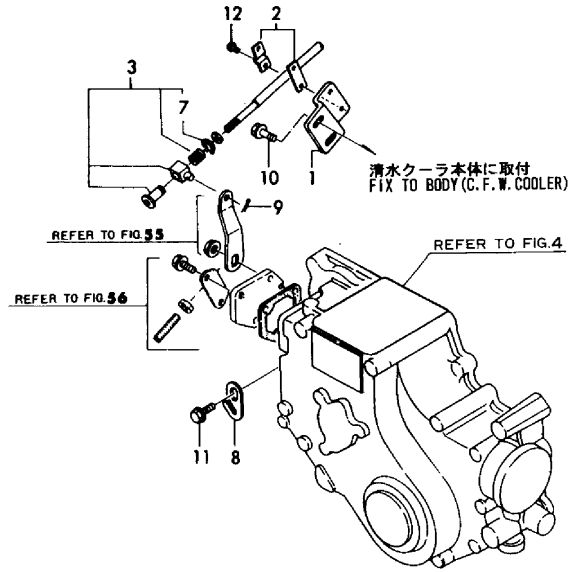
No.	Lev.	Parts No.	Description	Q'ty						I	R
				(A)	(B)	(C)	(D)	(E)	(F)		
1	1	128270-67100	BRACKET, CABLE	1	1	1	1				
2	1	41710-000410	CLAMP	1	1	1	1				
3	1	105311-67200	RETAINER ASSY	1	1	1	1				
7	2	22242-000100	RING, 10	1	1	1	1				
8	1	121575-67580	BRACKET, CABLE	1		1	1				
8-1	1	121575-67581	BRACKET, CABLE	1		1	1				N
		(A=E21167)	(C=E01588)	(D=E02119)							
9	1	22414-250150	PIN, COTTER 2.5X15	1		1	1				
9-1	1	22360-080000	SNAP PIN 8	1		1	1				N
		(A=E15875)	(C=E01016)	(D=E01414)							
10	1	26106-060102	BOLT, M6X 10 PLATED	1	1	1	1				
11	1	26106-060122	BOLT, M6X 12 PLATED	1	1	1	1				
12	1	26366-060002	NUT, M6	1	1	1	1				
13	1	26557-050122	SCREW, M5X12	2	2	2	2				
14	1	121574-86320	RETAINER	1	1	1	1				

Fig.60. SPEED REMOTE CONTROL

(A)=2GM20  
(B)=2GM20VE  
(C)=2GM20B

(D)=2GM20C  
(E)=2GM20F  
(F)=2GM20FVE

Fig.60 スピードリモコン  
SPEED REMOTE CONTROL



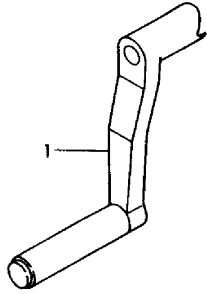
No.	Lev.	Parts No.	Description	Q'ty						I	R	
				(A)	(B)	(C)	(D)	(E)	(F)			
1	1	105311-67100	BRACKET, CABLE					1			1	
2	1	41710-000410	CLAMP					1			1	
3	1	105311-67200	RETAINER ASSY					1			1	
7	2	22242-000100	RING, 10					1			1	
8	1	121575-67580	BRACKET, CABLE					1				
8-1	1	121575-67581	BRACKET, CABLE					1				N
				(E=E21137)								
9	1	22414-250150	PIN, COTTER 2.5X15					1				
9-1	1	22360-080000	SNAP PIN 8					1				N
				(E=E15879)								
10	1	26106-060102	BOLT, M6X 10 PLATED					2			2	
11	1	26106-060122	BOLT, M6X 12 PLATED					1			1	
12	1	26557-050122	SCREW, M5X12					2			2	

# Fig.61. HAND START

(A)=2GM20  
(B)=2GM20VE  
(C)=2GM20B

(D)=2GM20C  
(E)=2GM20F  
(F)=2GM20FVE

**Fig.61** ハンドスタート  
HAND START



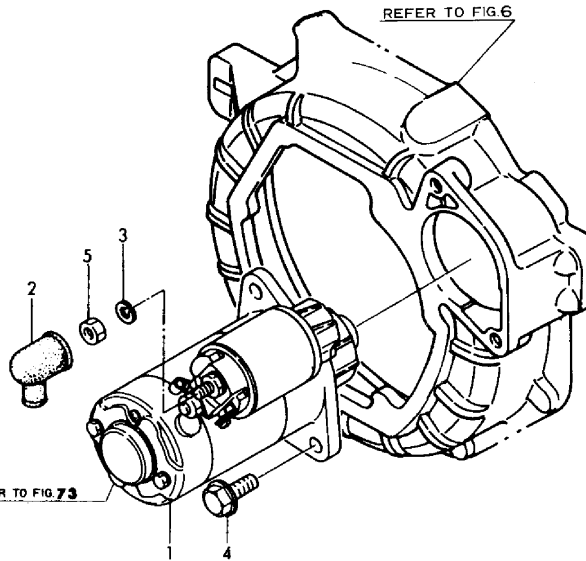
No.	Lev.	Parts No.	Description	Q'ty						I	R
				(A)	(B)	(C)	(D)	(E)	(F)		
1	1	128170-76790	HANDLE, STARTING	1	1		1				

Fig.62. STARTING MOTOR

(A)=2GM20  
(B)=2GM20VE  
(C)=2GM20B

(D)=2GM20C  
(E)=2GM20F  
(F)=2GM20FVE

Fig.62 スターティングモータ  
STARTING MOTOR



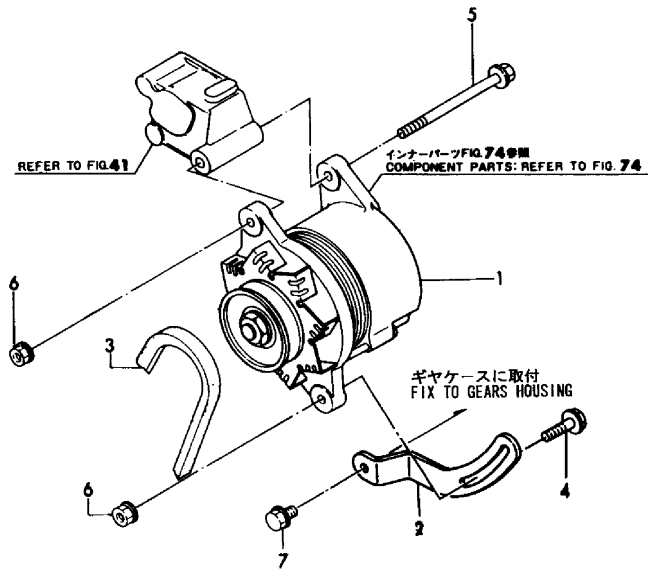
No.	Lev.	Parts No.	Description	Q'ty						I	R
				(A)	(B)	(C)	(D)	(E)	(F)		
1	1	128170-77010	STARTER, S114-303	1	1	1	1	1	1		
2	1	124550-77030	COVER, TERMINAL	1	1	1	1	1	1		
3	1	22217-080000	WASHER, SPRING 8	1	1	1	1	1	1		
4	1	26106-100302	BOLT, M10X 30 PLATED	2	2	2	2	2	2		
5	1	26756-080002	NUT, LOCK M8	1	1	1	1	1	1		

Fig.63. GENERATOR

(A)=2GM20  
(B)=2GM20VE  
(C)=2GM20B

(D)=2GM20C  
(E)=2GM20F  
(F)=2GM20FVE

Fig. **63** ジェネレータ  
GENERATOR



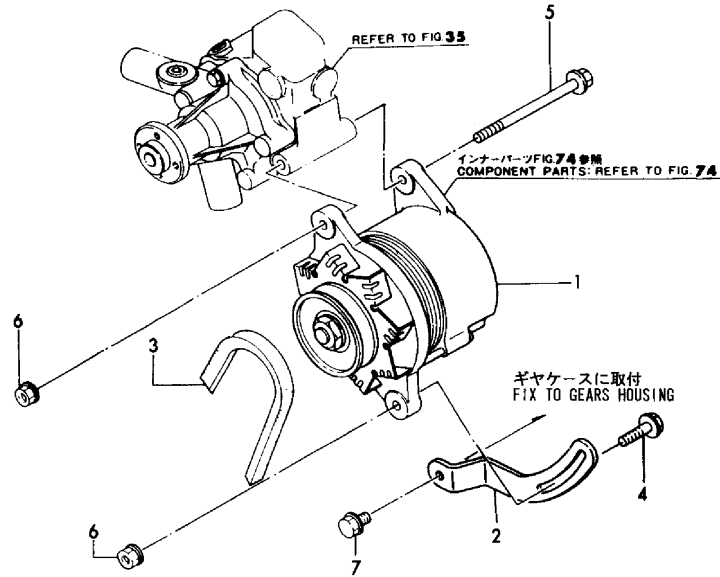
No.	Lev.	Parts No.	Description	Q'ty						I	R
				(A)	(B)	(C)	(D)	(E)	(F)		
1	1	129772-77200	GENERATOR(12V-55A)	1	1	1	1				
2	1	128271-77330	ADJUSTER	1	1	1	1				
3	1	128670-77350	V-BELT, A31	1	1	1	1				
4	1	26106-080302	BOLT, M8X 30 PLATED	1	1	1	1				
5	1	128271-77340	BOLT, M8X120	1	1	1	1				
6	1	26366-080002	NUT, M8	2	2	2	2				
7	1	26106-100162	BOLT, M10X 16 PLATED	1		1	1				Z
		(A=E00637)	(C=E00140)	(D=E00192)							

Fig.64. GENERATOR

(A)=2GM20  
(B)=2GM20VE  
(C)=2GM20B

(D)=2GM20C  
(E)=2GM20F  
(F)=2GM20FVE

Fig. **64** ジェネレータ  
GENERATOR



No.	Lev.	Parts No.	Description	Q'ty						I	R	
				(A)	(B)	(C)	(D)	(E)	(F)			
1	1	129772-77200	GENERATOR(12V-55A)					1			1	
2	1	128271-77330	ADJUSTER					1			1	
3	1	124732-42290	V-BELT, AX37					1			1	
4	1	26106-080302	BOLT, M8X 30 PLATED					1			1	
5	1	128271-77340	BOLT, M8X120					1			1	
6	1	26366-080002	NUT, M8					2			2	
7	1	26106-100162	BOLT, M10X 16 PLATED					1			1	Z

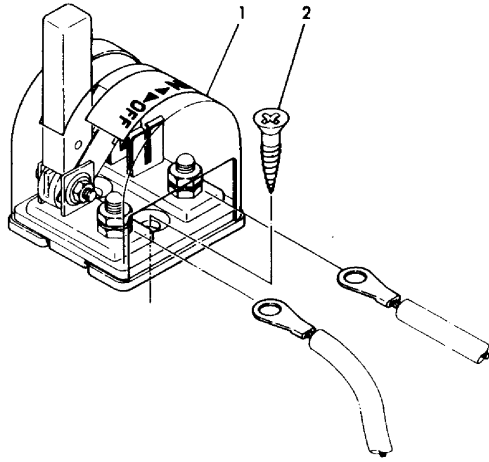
(E=E00827)

Fig.65. BATTERY SWITCH

(A)=2GM20  
(B)=2GM20VE  
(C)=2GM20B

(D)=2GM20C  
(E)=2GM20F  
(F)=2GM20FVE

Fig.65 バッテリスイッチ  
BATTERY SWITCH



No.	Lev.	Parts No.	Description	Q'ty						I	R
				(A)	(B)	(C)	(D)	(E)	(F)		
1	1	123310-77640	SWITCH, BATTERY	1	1	1	1	1	1	1	1
2	1	22724-800380	SCREW, 8.0X38	2	2	2	2	2	2	2	1

Remarks  
1)OPTIONAL FOR 2GM20,2GM20VE,  
2GM20C,2GM20F,2GM20FVE.

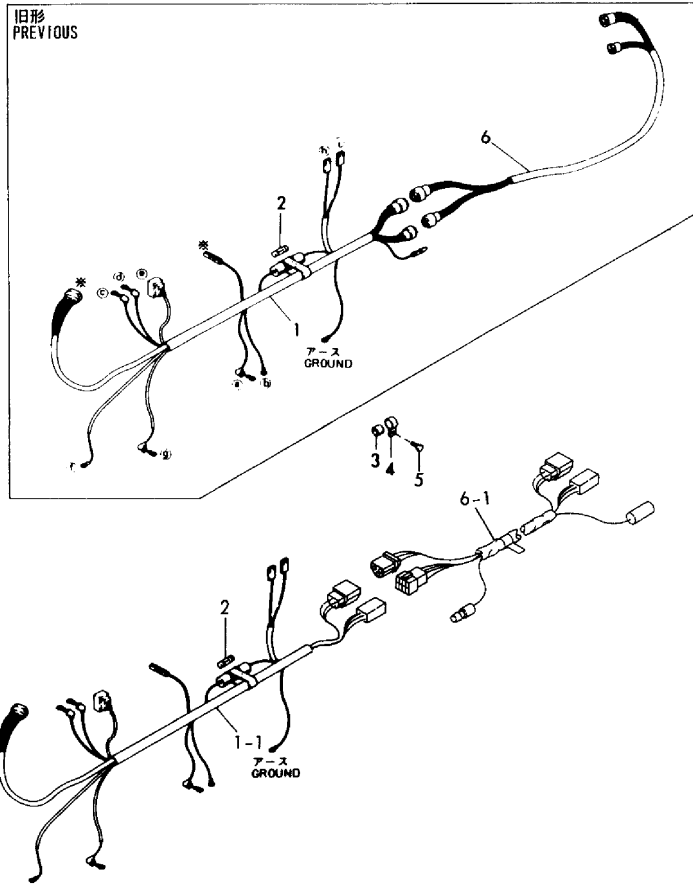


Fig.66. WIRE HARNESS

(A)=2GM20  
(B)=2GM20VE  
(C)=2GM20B

(D)=2GM20C  
(E)=2GM20F  
(F)=2GM20FVE

Fig.66 ワイヤハーネス  
WIRE HARNESS



No.	Lev.	Parts No.	Description	Q'ty						I	R
				(A)	(B)	(C)	(D)	(E)	(F)		
1	1	128270-77921	HARNESS, WIRE	1	1	1	1				
1-1	1	128271-77920	HARNESS, WIRE	1		1	1	1			S
		(A=E21167)	(C=E01588) (D=E02119)			(E=E21137)					
1-2	1	128271-77921	HARNESS, WIRE	1		1	1	1			N
		(A=E21404)	(C=E01589) (D=E02165)			(E=E21406)					
1-3	1	128271-77921	HARNESS, WIRE	1	1	1	1	1	1		
2	2	46150-003680	FUSE 30A	1	1	1	1	1	1		
3	1	124770-77940	PROTECTOR	1	1	1	1	1	1		
4	1	124070-77950	CLAMP	1	1	1	1	1	1		
5	1	26106-080142	BOLT, M8X 14 PLATED	1	1	1	1	1	1		
6	1	128170-77500	CORD, EXTENSION 3000	1		1	1	1			
6-1	1	128391-77700	HARNESS, WIRE	1		1	1	1			S
		(A=E21404)	(C=E01589) (D=E02165)			(E=E21406)					

(A)=2GM20  
(B)=2GM20VE  
(C)=2GM20B

(D)=2GM20C  
(E)=2GM20F  
(F)=2GM20FVE

Fig. **67** クラッチ  
CLUTCH

イラスト ナシ  
NOT ILLUSTRATED.

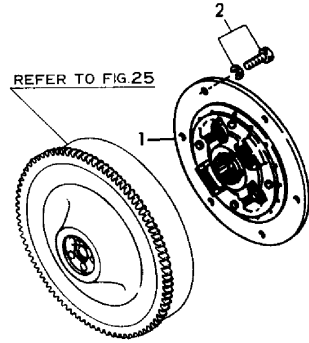
No.	Lev.	Parts No.	Description	Qty						I	R
				(A)	(B)	(C)	(D)	(E)	(F)		
1	1	128171-81010	CLUTCH ASSY, 2.21	1	1			1			
1-1	1	128171-81110	CLUTCH ASSY, 2.21	1		1		1			N
		(A=E03567)	(C=E00235)					(E=E03567)			
2	1	128171-81020	CLUTCH ASSY, I=2.62	1		1		1			
2-1	1	128171-81120	CLUTCH ASSY, I=2.62	1		1		1			N
		(A=E03567)	(C=E00235)					(E=E03567)			
3	1	128171-81030	CLUTCH ASSY, I=3.22	1		1		1			
3-1	1	128171-81130	CLUTCH ASSY, I=3.22	1		1		1			N
		(A=E03567)	(C=E00235)					(E=E03567)			
4	1	128371-81050	DISK, DAMPER D170	1		1		1			
4-1	1	177070-03501	DISK, DAMPER D170	1		1		1			N
		(A=E17927)	(C=E01263)					(E=E17887)			
5	1	26013-080142	BOLT, M8X 14	6	6	6		6	6		
6	1	26106-080452	BOLT, M8X 45 PLATED	8		8		8			
6-1	1	26106-080652	BOLT, M8X 65 PLATED			8					S
			(C=E00126)								
6-2	1	26106-080452	BOLT, M8X 45 PLATED			8					S
			(C=E00235)								
7	1	128171-81150	SPACER, CLUTCH			1					W
			(C=E00126)								
7-1	1	128171-81150	SPACER, CLUTCH			1					Z
			(C=E00235)								
8	1	128374-81310	CLUTCH ASSY, 2.36		1					1	
9	1	128374-81320	CLUTCH ASSY, I=2.61		1					1	
10	1	128374-81330	CLUTCH ASSY, I=3.20		1					1	

Fig.68. DUMPER DISK

(A)=2GM20  
(B)=2GM20VE  
(C)=2GM20B

(D)=2GM20C  
(E)=2GM20F  
(F)=2GM20FVE

Fig.68 ダンパディスク  
DUMPER DISK



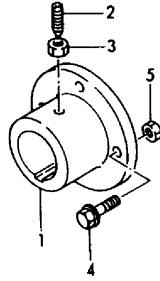
No.	Lev.	Parts No.	Description	Q'ty						I	R	
				(A)	(B)	(C)	(D)	(E)	(F)			
1	1	128371-81050	DISK, DAMPER D170				1					
1-1	1	177070-03501	DISK, DAMPER D170 (D=E01626)				1					N
2	1	26013-080142	BOLT, M8X 14				6					

Fig.69. TAPER COUPLING

(A)=2GM20  
(B)=2GM20VE  
(C)=2GM20B

(D)=2GM20C  
(E)=2GM20F  
(F)=2GM20FVE

Fig.69 テーパーカップリング  
TAPER COUPLING



No.	Lev.	Parts No.	Description	Q'ty						I	R
				(A)	(B)	(C)	(D)	(E)	(F)		
1	1	48110-028063	COUPLING, TAPER 28	1	1	1					1
1-1	1	48110-025063	COUPLING, TAPER 25 (C=E01569)			1					N 1
2	1	48110-032411	SCREW	1	1	1					1
3	1	26756-080002	NUT, LOCK M8	1	1	1					1
4	1	26106-100322	BOLT, M10X 32 PLATED	4	4	4					1
5	1	26706-100002	NUT, M10	4	4	4					1

Remarks

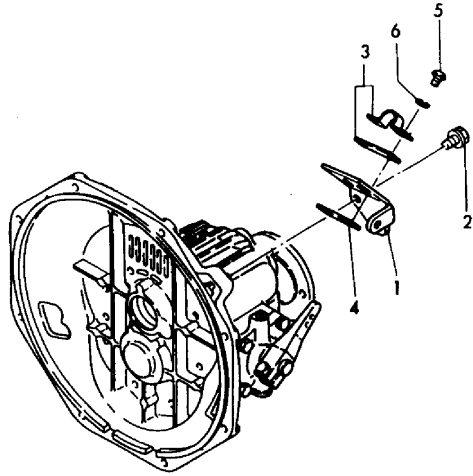
1) OPTIONAL FOR 2GM20 & 2GM20VE

Fig.70. CLUTCH REMOTE CONTROL

(A)=2GM20  
(B)=2GM20VE  
(C)=2GM20B

(D)=2GM20C  
(E)=2GM20F  
(F)=2GM20FVE

Fig.70 クラッチリモコン  
CLUTCH REMOTE CONTROL



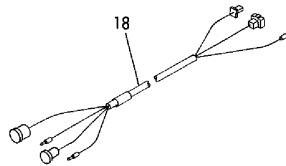
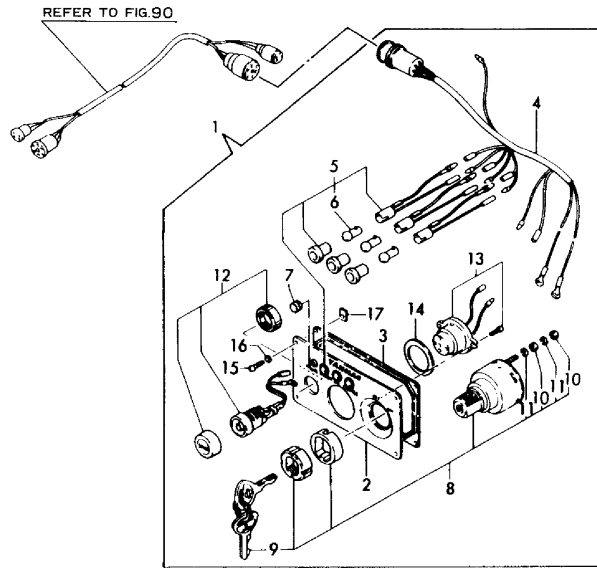
No.	Lev.	Parts No.	Description	Q'ty						I	R
				(A)	(B)	(C)	(D)	(E)	(F)		
1	1	128170-86300	BRACKET, CABLE	1	1	1		1	1		
2	1	26106-060142	BOLT, M6X 14 PLATED	2	2	2		2	2		
3	1	41710-000410	CLAMP	1	1	1		1	1		
4	1	121574-86320	RETAINER	1	1	1		1	1		
5	1	26557-050122	SCREW, M5X12	2	2	2		2	2		
6	1	22212-050000	WASHER 5	2	2	2		2	2		

Fig.71. PANEL(A-TYPE)

(A)=2GM20  
(B)=2GM20VE  
(C)=2GM20B

(D)=2GM20C  
(E)=2GM20F  
(F)=2GM20FVE

Fig.71 計器盤(Aタイプ)  
PANEL (A-TYPE)



No.	Lev.	Parts No.	Description	Q'ty						I	R
				(A)	(B)	(C)	(D)	(E)	(F)		
1	1	128270-91001	PANEL ASSY	1	1	1		1	1		1
2	2	128270-91010	BODY, PANEL	1	1	1		1	1		
3	2	128270-91020	GASKET	1	1	1		1	1		
4	2	128270-91031	HARNESS, WIRE	1	1	1		1	1		
5	2	128270-91040	LAMP, PILOT	3	3	3		3	3		
6	3	46150-001110	BULB(12V3W/G11.BA9S)	3	3	3		3	3		
7	2	128270-91230	COVER, BLIND	1	1	1		1	1		
8	2	124070-91250	SWITCH, KEY	1	1	1		1	1		
9	3	124070-91290	KEY, SWITCH	1	1	1		1	1		
10	3	26716-050002	NUT, M5	4	4	4		4	4		
11	3	22217-050000	WASHER, SPRING 5	4	4	4		4	4		
12	2	124070-91300	SWITCH	1	1	1		1	1		
13	2	128270-91350	BUZZER, ALARM	1	1	1		1	1		
14	2	128270-91360	GASKET	1	1	1		1	1		
15	2	128170-91810	SCREW, M5X35	4	4	4		4	4		
16	2	128170-91820	WASHER, 5	4	4	4		4	4		
17	2	128170-91830	NUT, M5	4	4	4		4	4		
18	1	128391-77860	HARNESS ASSY, WIRE	1		1		1			W
				(A=E21167)		(C=E01588)		(E=E21137)			

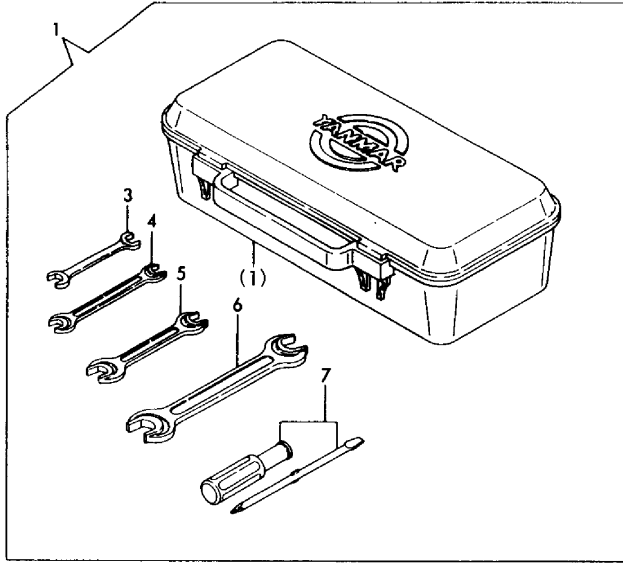
Remarks  
1) OPTIONAL FOR 2GM20,2GM20VE,  
2GM20F,2GM20FVE.

Fig.72. TOOL

(A)=2GM20  
(B)=2GM20VE  
(C)=2GM20B

(D)=2GM20C  
(E)=2GM20F  
(F)=2GM20FVE

Fig.72 工具  
TOOL



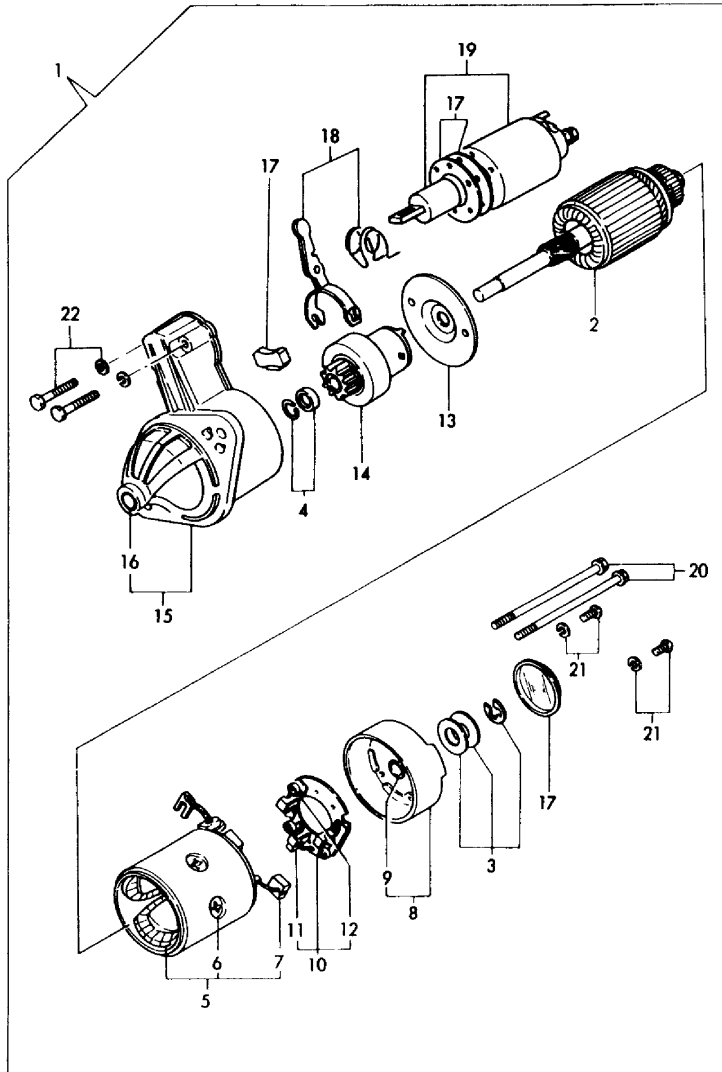
No.	Lev.	Parts No.	Description	Q'ty						I	R
				(A)	(B)	(C)	(D)	(E)	(F)		
1	1	704507-92100	BOX ASSY, TOOL	1	1	1	1	1	1		
3	2	28110-100130	SPANNER, 10X13	1	1	1	1	1	1		
4	2	28110-120140	SPANNER, 12X14	1	1	1	1	1	1		
5	2	28110-170190	SPANNER, 17X19	1	1	1	1	1	1		
6	2	28110-220240	SPANNER, 22X24	1	1	1	1	1	1		
7	2	104200-92350	DRIVER, SCREW	1	1	1	1	1	1		

Fig.73. STARTING MOTOR COMPONENT PART

(A)=2GM20  
(B)=2GM20VE  
(C)=2GM20B

(D)=2GM20C  
(E)=2GM20F  
(F)=2GM20FVE

Fig.73 スターティングモータ インナーパーツ  
STARTING MOTOR COMPONENT PART



No.	Lev.	Parts No.	Description	Q'ty						I	R
				(A)	(B)	(C)	(D)	(E)	(F)		
1	1	128170-77010	STARTER, S114-303	1	1	1	1	1	1		
2	2	X211451005	ARMATURE	1	1	1	1	1	1		
3	2	X21148110	WASHER SET, THRUST	1	1	1	1	1	1		
4	2	X21147155	STOPPER SET, PINION	1	1	1	1	1	1		
5	2	X211462101	COIL ASSY, FIELD	1	1	1	1	1	1		
6	3	X21143215	SCREW, CORE	4	4	4	4	4	4		
7	3	X21145312	BRUSH, +	2	2	2	2	2	2		
8	2	X211413005	COVER ASSY	1	1	1	1	1	1		
9	3	X21145352	METAL	1	1	1	1	1	1		
10	2	X211433101	HOLDER	1	1	1	1	1	1		
11	3	X21148313	BRUSH (-)	2	2	2	2	2	2		
12	3	X21145314	SPRING	4	4	4	4	4	4		
13	2	X21144454	PLATE	1	1	1	1	1	1		
14	2	X211415006	PINION ASSY	1	1	1	1	1	1		
15	2	X211476503	CASE ASSY	1	1	1	1	1	1		
16	3	X21145661	METAL, GEAR CASE	1	1	1	1	1	1		
17	2	X21146963	COVER	1	1	1	1	1	1		
18	2	X21149652	LEVER SET, SHIFT	1	1	1	1	1	1		
19	2	X211447009	SWITCH	1	1	1	1	1	1		
20	2	X21148852	BOLT, THROUGH	2	2	2	2	2	2		
21	2	X21142835	SCREW SET	2	2	2	2	2	2		
22	2	X21145866	BOLT	2	2	2	2	2	2		

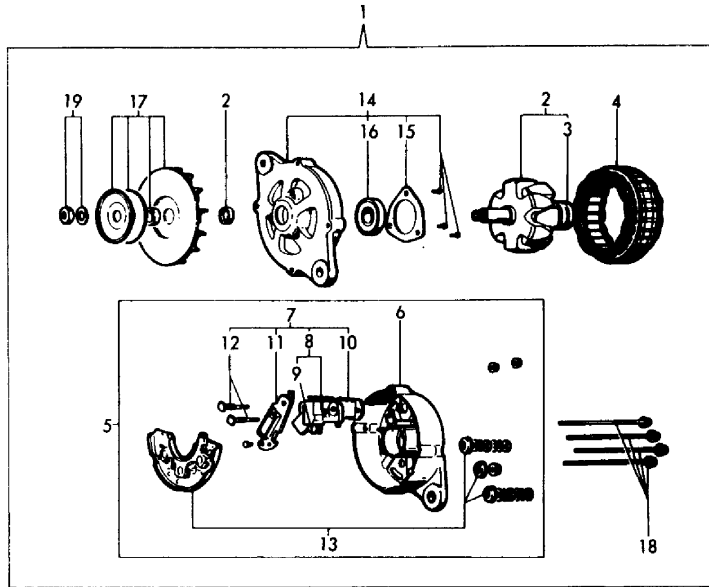


Fig.74. GENERATOR COMPONENT PART

(A)=2GM20  
(B)=2GM20VE  
(C)=2GM20B

(D)=2GM20C  
(E)=2GM20F  
(F)=2GM20FVE

Fig.74 ジェネレータ インナーパーツ  
GENERATOR COMPONENT PART



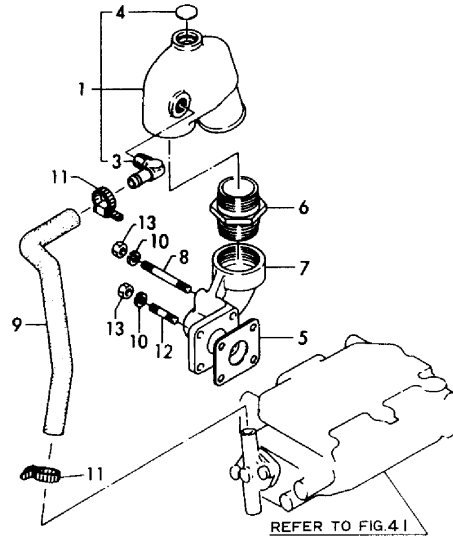
No.	Lev.	Parts No.	Description	Q'ty						I	R
				(A)	(B)	(C)	(D)	(E)	(F)		
1	1	129772-77200	GENERATOR(12V-55A)	1	1	1	1	1	1		
2	2	XL15571001	ROTOR ASSY	1	1	1	1	1	1		
3	3	X6201SD	BALL BEARING	1	1	1	1	1	1		
4	2	XL15542001	STATOR ASSY	1	1	1	1	1	1		
5	2	XL15553002	COVER ASSY, REAR	1	1	1	1	1	1		
6	3	XL22553012	COVER, REAR	1	1	1	1	1	1		
7	3	XL1556315	REGULATOR ASSY,BRUSH	1	1	1	1	1	1		
8	4	XL2255330	BRUSH ASSY	1	1	1	1	1	1		1
9	4	XL12013262	BRUSH	2	2	2	2	2	2		
10	4	XTR1Z63	REGULATOR	1	1	1	1	1	1		
11	4	XL2251318	CONDENCER ASSY	1	1	1	1	1	1		
12	4	XL13513134	BOLT M5	2	2	2	2	2	2		
13	3	XL2253320	DIODE ASSY	1	1	1	1	1	1		
14	2	XL2253400	FRONT COVER ASSY	1	1	1	1	1	1		
15	3	XL15014042	BEARING RETAINER	1	1	1	1	1	1		
16	3	X6203BM	BALL BEARING	1	1	1	1	1	1		
17	2	XL22555001	PULLEY ASSY	1		1	1	1			
17-1	2	XL1557500	PULLEY ASSY	1		1	1	1			N
(A=E11892)				(C=E00694)		(D=E01003)		(E=E11886)			
18	2	XL15018015	BOLT, THROUGH	4	4	4	4	4	4		
19	2	XL1501810	NUT ASSY, PULLEY	1	1	1	1	1	1		
20	2	XL15028001	SCREW ASSY	1	1	1	1	1	1		

Fig.75. MIXING ELBOW(OPTIONAL)

(A)=2GM20  
(B)=2GM20VE  
(C)=2GM20B

(D)=2GM20C  
(E)=2GM20F  
(F)=2GM20FVE

**Fig.75** ミキシングエルボ(オプション)  
MIXING ELBOW(OPTIONAL)



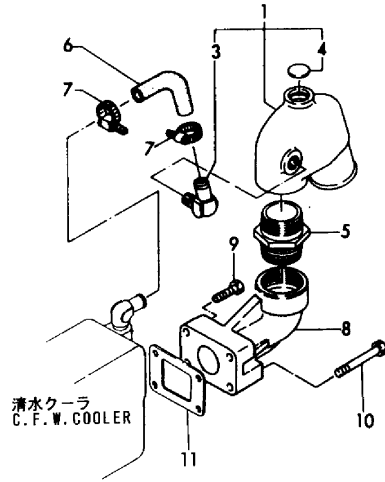
No.	Lev.	Parts No.	Description	Q'ty						I	R
				(A)	(B)	(C)	(D)	(E)	(F)		
1	1	128270-13600	ELBOW ASSY	1	1	1	1				
3	2	128270-13620	JOINT, PIPE PT3/8	1	1	1	1				
4	2	27233-250000	PLUG, 25	1	1	1	1				
5	1	124000-13200	GASKET, SILENCER	1	1	1	1				
6	1	104214-13580	JOINT	1	1	1	1				
7	1	128270-13610	ELBOW	1	1	1	1				
8	1	26213-080702	STUD, M8X 70	2		2	2				
8-1	1	128270-13650	STUD	2		2	2				N
		(A=EXXX)	(C=EXXX)	(D=EXXX)							
9	1	128270-49250	PIPE, WATER	1	1	1	1				
10	1	22217-080000	WASHER, SPRING 8	4	4	4	4				
11	1	23000-022000	CLAMP, 22	2	2	2	2				
12	1	26213-080222	STUD, M8X 22	2	2	2	2				
13	1	26703-080002	NUT, M8	4		4	4				
13-1	1	26713-080002	NUT, M8	4		4	4				R
		(A=EXXX)	(C=EXXX)	(D=EXXX)							

Fig.76. MIXING ELBOW(OPTIONAL)

(A)=2GM20  
(B)=2GM20VE  
(C)=2GM20B

(D)=2GM20C  
(E)=2GM20F  
(F)=2GM20FVE

**Fig.76** ミキシングエルボ (オプション)  
MIXING ELBOW (OPTIONAL)



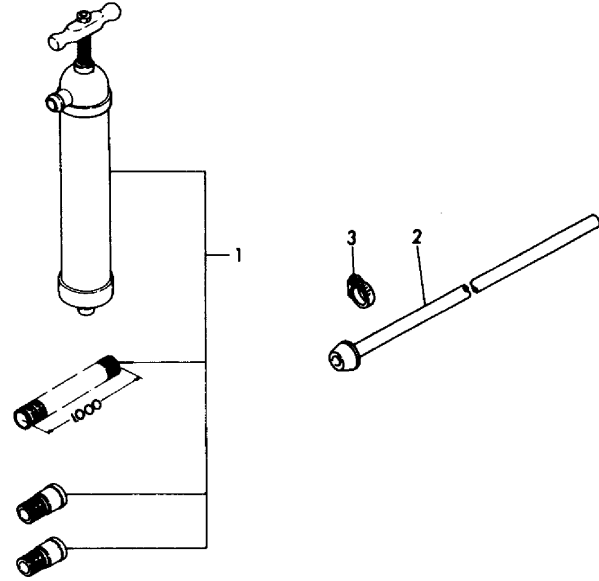
No.	Lev.	Parts No.	Description	Q'ty						I	R	
				(A)	(B)	(C)	(D)	(E)	(F)			
1	1	124070-13520	ELBOW					1			1	
3	2	124070-13300	ELBOW, PT3/8					1			1	
4	2	27233-250000	PLUG, 25					1			1	
5	1	104214-13580	JOINT					1			1	
6	1	128690-49250	PIPE, WATER					1			1	
7	1	23000-025000	CLAMP, 25					2			2	
8	1	128370-13610	ELBOW					1			1	
9	1	26116-080402	BOLT, M8X 40 PLATED					2				
9-1	1	26203-080402	BOLT, M8X 40 PLATED					2				N
								(E=EXXX)				
10	1	26116-080602	BOLT, M8X 60 PLATED					2				
10-1	1	26203-080602	BOLT, M8X 60 PLATED					2				N
								(E=EXXX)				
11	1	128370-13200	GASKET					1				W
								(E=EFROM 1ST)				
11-1	1	128370-13201	GASKET					1				N
								(E=E17941)				

Fig.77. LUB. OIL WASTE PUMP(OPTIONAL)

(A)=2GM20  
(B)=2GM20VE  
(C)=2GM20B

(D)=2GM20C  
(E)=2GM20F  
(F)=2GM20FVE

**Fig.77** 潤滑油排油ポンプ(オプション)  
LUB.OIL WASTE PUMP(OPTIONAL)



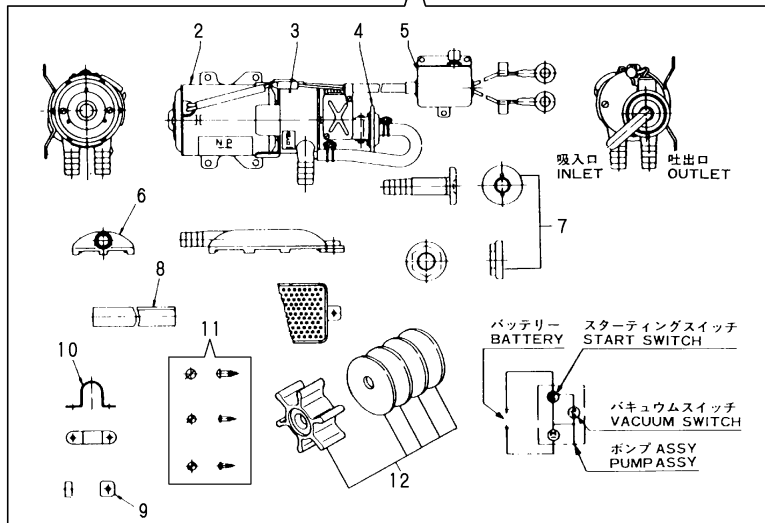
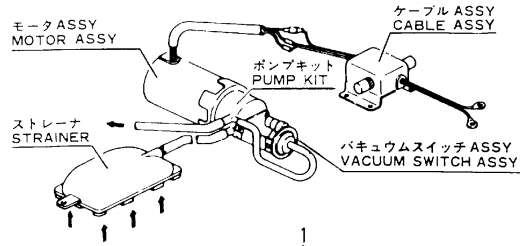
No.	Lev.	Parts No.	Description	Qty						I	R
				(A)	(B)	(C)	(D)	(E)	(F)		
1	1	28210-000080	PUMP	1	1	1	1	1	1		
2	1	128275-39710	PIPE, OIL	1	1	1	1	1	1		
3	1	23080-018000	CLAMP, 18	3	3	3	3	3	3		

Fig.78. ELECTRIC BILGE PUMP(12,OPTIONA

P/C NEWS No:Y00F5052-4  
PUBLISHED:2004/7

(A)=2GM20  
(B)=2GM20VE  
(C)=2GM20B

(D)=2GM20C  
(E)=2GM20F  
(F)=2GM20FVE



No.	Lev.	Parts No.	Description	Q'ty						I	R
				(A)	(B)	(C)	(D)	(E)	(F)		
1	1	977782-00122	PUMP(12V), BILGE	1	1	1	1	1	1		
2	2	XBP2901200	MOTOR ASSY.	1	1	1	1	1	1		M
2-1	2	XBP1902200	MOTER ASSY	1	1	1	1	1	1		
3	2	XBP1901300	PUMP SET	1	1	1	1	1	1		
4	2	XBP1902400	VACUUM SWITCH ASSY	1	1	1	1	1	1		
5	2	XBP1905500	CABLE ASSY.	1	1	1	1	1	1		
6	2	XBP1902810	STRAINER	1	1	1	1	1	1		
7	2	XBP1901820	OUTLET	1	1	1	1	1	1		
8	2	XBP1901830	HOSE	1	1	1	1	1	1		
9	2	XBP1901910	SPACER	1	1	1	1	1	1		
10	2	XBP1901920	CLAMP	1	1	1	1	1	1		
11	2	XBP1901950	SCREW SET	1	1	1	1	1	1		
12	2	947859-20010	IMPELLER	1	1	1	1	1	1		

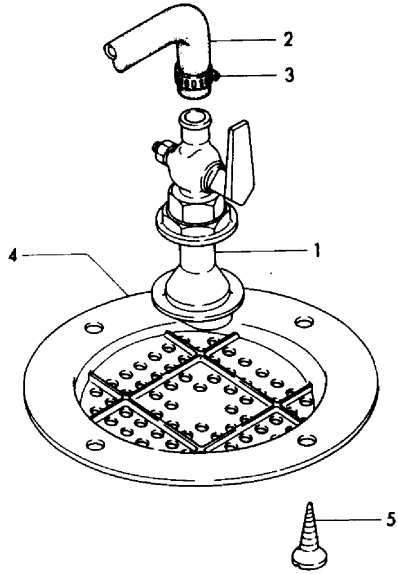
Remarks  
(M)MISPRINT:REFER TO THE NEXT ITEM.

Fig.79. KINGSTON COCK(OPTIONAL)

(A)=2GM20  
(B)=2GM20VE  
(C)=2GM20B

(D)=2GM20C  
(E)=2GM20F  
(F)=2GM20FVE

Fig.79 キングストンコック(オプション)  
KINGSTON COCK (OPTIONAL)



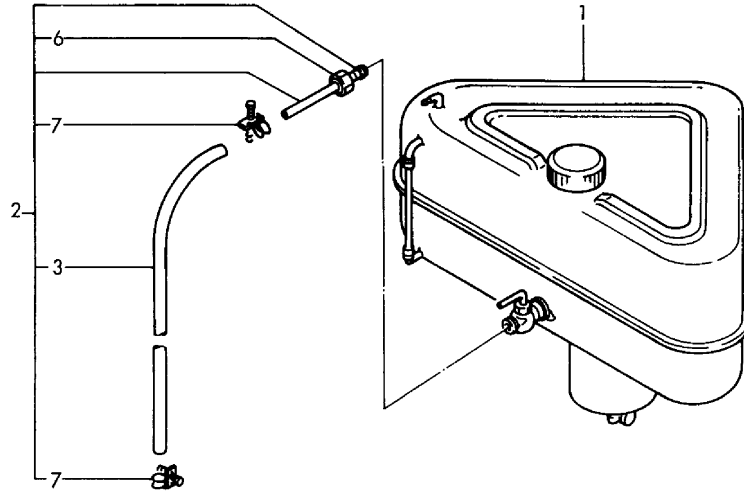
No.	Lev.	Parts No.	Description	Q'ty						I	R	
				(A)	(B)	(C)	(D)	(E)	(F)			
1	1	43662-015020	COCK					1		1		
2	1	124223-49050	PIPE, WATER					1		1		
3	1	23000-025000	CLAMP, 25					2		2		
4	1	43666-020951	COVER, STRAINER					1		1		
5	1	22724-800380	SCREW, 8.0X38					4		4		

Fig.80. FUEL TANK(OPTIONAL)

(A)=2GM20  
(B)=2GM20VE  
(C)=2GM20B

(D)=2GM20C  
(E)=2GM20F  
(F)=2GM20FVE

Fig. **80** 燃料タンク (オプション)  
FUEL TANK (OPTIONAL)



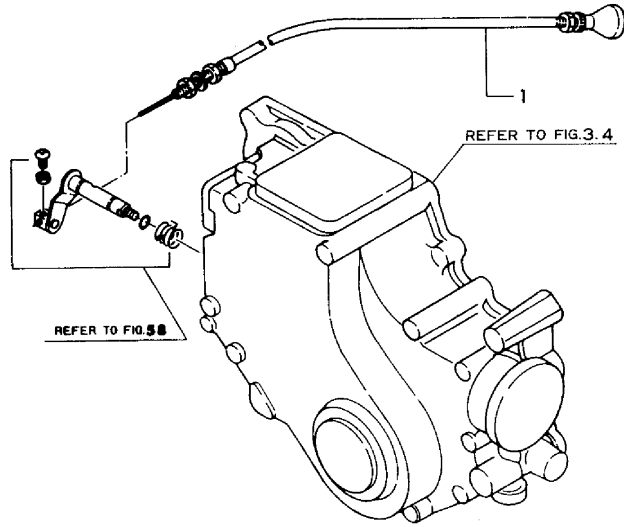
No.	Lev.	Parts No.	Description	Q'ty						I	R
				(A)	(B)	(C)	(D)	(E)	(F)		
1	1	83213-003012	TANK (30L), FUEL	1	1	1	1	1	1		
2	1	124070-59060	PIPE ASSY, FUEL	1	1	1	1	1	1		
3	2	124070-59130	PIPE, FUEL 2M	1	1	1	1	1	1		
6	2	138603-59380	CAP NUT	1	1	1	1	1	1		
7	2	23010-014000	CLAMP, 14	2	2	2	2	2	2		

Fig.81. ENGINE STOP CABLE(OPTIONAL)

(A)=2GM20  
(B)=2GM20VE  
(C)=2GM20B

(D)=2GM20C  
(E)=2GM20F  
(F)=2GM20FVE

Fig.81 ストップケーブル (オプション)  
ENGINE STOP CABLE(OPTIONAL)



No.	Lev.	Parts No.	Description	Q'ty						I	R
				(A)	(B)	(C)	(D)	(E)	(F)		
1	1	104271-67550	CABLE, STOP L=3000	1	1	1	1	1	1		

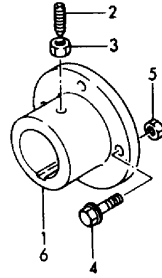


Fig.82. TAPER COUPLING(OPTIONAL)

(A)=2GM20  
(B)=2GM20VE  
(C)=2GM20B

(D)=2GM20C  
(E)=2GM20F  
(F)=2GM20FVE

Fig.82 テーパーカップリング(オプション)  
TAPER COUPLING (OPTIONAL)



No.	Lev.	Parts No.	Description	Q'ty						I	R
				(A)	(B)	(C)	(D)	(E)	(F)		
1	1	48110-028063	COUPLING, TAPER 28	1	1			1	1		1
2	1	48110-032411	SCREW	1	1			1	1		
3	1	26756-080002	NUT, LOCK M8	1	1			1	1		
4	1	26106-100322	BOLT, M10X 32 PLATED	4	4			4	4		
5	1	26706-100002	NUT, M10	4	4			4	4		
6	1	48110-025063	COUPLING, TAPER 25	1				1			W 1
(A=E12944)				(E=E12988)							

Remarks

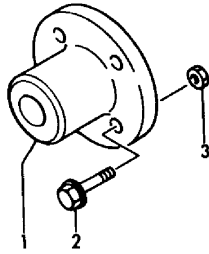
1)SELECT PART.

Fig.83. COUPLING(OPTIONAL)

(A)=2GM20  
(B)=2GM20VE  
(C)=2GM20B

(D)=2GM20C  
(E)=2GM20F  
(F)=2GM20FVE

Fig.83 カップリング(オプション)  
COUPLING (OPTIONAL)



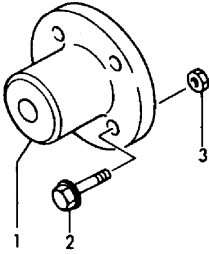
No.	Lev.	Parts No.	Description	Q'ty						I	R
				(A)	(B)	(C)	(D)	(E)	(F)		
1	1	105583-85900	COUPLING, 22	1	1			1	1		
2	1	26106-100352	BOLT, M10X 35 PLATED	4				4			
2-1	1	26106-100322	BOLT, M10X 32 PLATED	4				4			N
		(A=E12944)						(E=E12988)			
3	1	26706-100002	NUT, M10	4	4			4	4		

Fig.84. STRAIGHT COUPLING(OPTIONAL)

(A)=2GM20  
(B)=2GM20VE  
(C)=2GM20B

(D)=2GM20C  
(E)=2GM20F  
(F)=2GM20FVE

Fig.84 ストレートカップリング(オプション)  
STRAIGHT COUPLING (OPTIONAL)



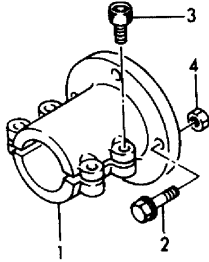
No.	Lev.	Parts No.	Description	Q'ty						I	R
				(A)	(B)	(C)	(D)	(E)	(F)		
1	1	45414-500260	COUPLING, 16MM	1	1			1	1		
2	1	26106-100322	BOLT, M10X 32 PLATED	4	4			4	4		
3	1	26706-100002	NUT, M10	4	4			4	4		
4	1	48110-032411 (A=E12944)	SCREW	1					1		W
								(E=E12988)			

Fig.85. SLIT COUPLING(OPTIONAL)

(A)=2GM20  
(B)=2GM20VE  
(C)=2GM20B

(D)=2GM20C  
(E)=2GM20F  
(F)=2GM20FVE

Fig.85 スリットカップリング(オプション)  
SLIT COUPLING (OPTIONAL)



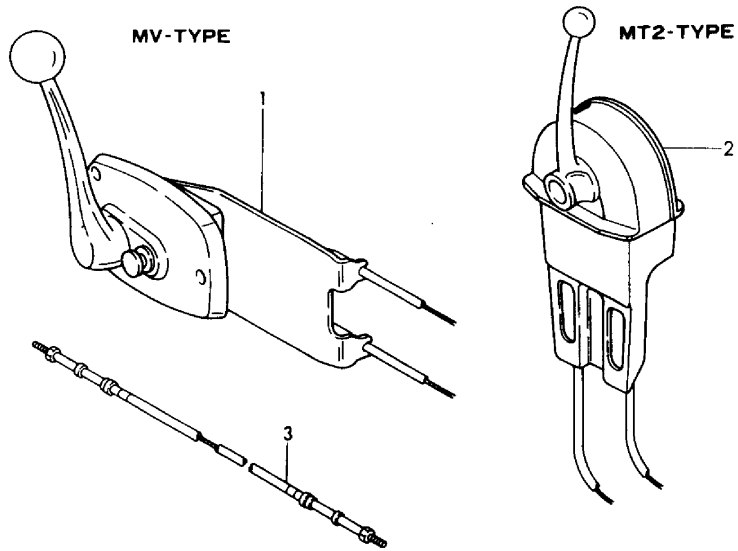
No.	Lev.	Parts No.	Description	Q'ty						I	R
				(A)	(B)	(C)	(D)	(E)	(F)		
1	1	104214-83980	COUPLING	1	1	1		1	1		
2	1	26106-100322	BOLT, M10X 32 PLATED	4	4	4		4	4		
3	1	26450-080282	BOLT, M8X 28	4	4	4		4	4		
4	1	26706-100002	NUT, M10	4	4	4		4	4		

Fig.86. SINGLE LEVER CONTROL(OPTIONAL)

(A)=2GM20  
(B)=2GM20VE  
(C)=2GM20B

(D)=2GM20C  
(E)=2GM20F  
(F)=2GM20FVE

Fig. **86** シングルレバーコントロール(オプション)  
SINGLE LEVER CONTROL(OPTIONAL)

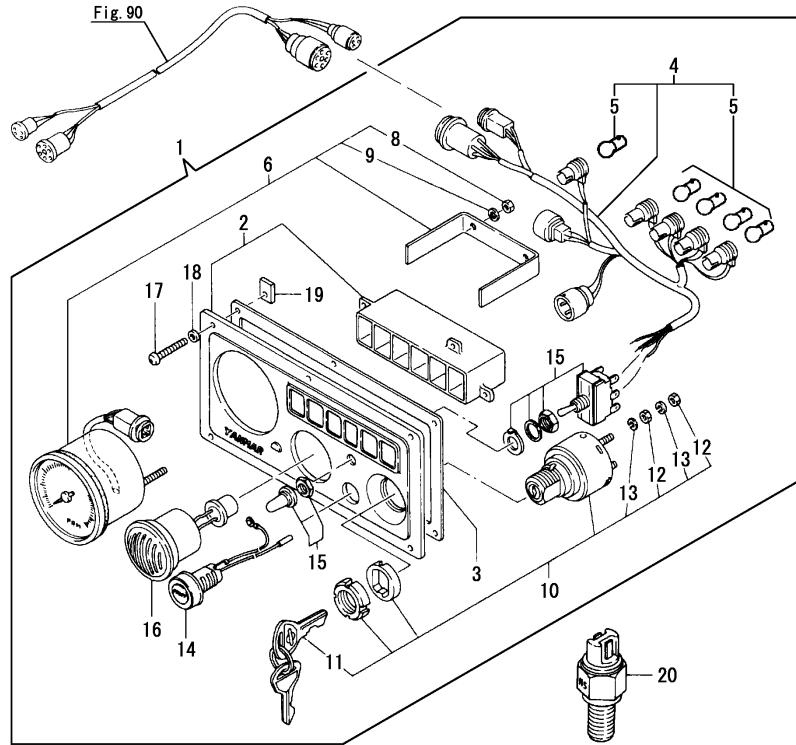


No.	Lev.	Parts No.	Description	Qty						I	R
				(A)	(B)	(C)	(D)	(E)	(F)		
1	1	128170-86500	CONTROLLER	1		1	1	1			
2	1	196311-34250	STAND, CONTROLLER	1		1	1	1			
2-1	1	41730-000680	HEAD, REMOTE-CONTROL	1		1	1	1			S
3	1	(A=E12944) 41710-000380	(C=E00768) CABLE L=4000	(D=E01081)	(E=E12988)						
				2	2	2	2	2	2		

Fig.87. PANEL(B-TYPE)(OPTIONAL)

(A)=2GM20  
(B)=2GM20VE  
(C)=2GM20B

(D)=2GM20C  
(E)=2GM20F  
(F)=2GM20FVE



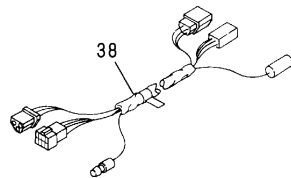
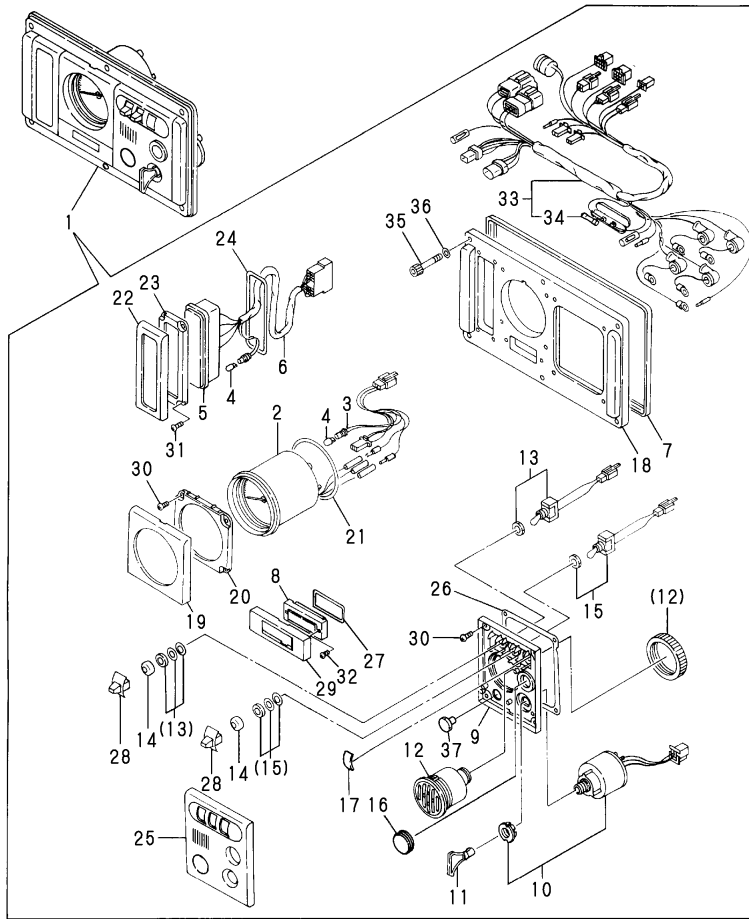
フライホイールハウジングに取付  
FIX TO FLYWHEEL HOUSING

No.	Lev.	Parts No.	Description	Q'ty						I	R
				(A)	(B)	(C)	(D)	(E)	(F)		
1	1	128170-91001	PANEL, INSTRUMENT	1	1	1	1	1	1		
2	2	128170-91010	BODY, PANEL	1	1	1	1	1	1		
3	2	128170-91020	GASKET	1	1	1	1	1	1		
4	2	128170-91031	HARNESS, WIRE	1	1	1	1	1	1		
5	3	46150-001110	BULB(12V3W/G11.BA9S)	4	4	4	4	4	4		
6	2	128170-91100	TACHOMETER	1	1	1	1	1	1		
7	3	46150-001110	BULB(12V3W/G11.BA9S)	1	1	1	1	1	1		
8	3	26716-050002	NUT, M5	2	2	2	2	2	2		
9	3	22217-050000	WASHER, SPRING 5	2	2	2	2	2	2		
10	2	124070-91250	SWITCH, KEY	1	1	1	1	1	1		
11	3	124070-91290	KEY, SWITCH	1	1	1	1	1	1		
12	3	26716-050002	NUT, M5	4	4	4	4	4	4		
13	3	22217-050000	WASHER, SPRING 5	4	4	4	4	4	4		
14	2	124070-91300	SWITCH	1	1	1	1	1	1		
15	2	128170-91310	SWITCH	1	1	1	1	1	1		
16	2	104271-91351	BUZZER	1	1	1	1	1	1		
17	2	128170-91810	SCREW, M5X35	6	6	6	6	6	6		
18	2	128170-91820	WASHER, 5	6	6	6	6	6	6		
19	2	128170-91830	NUT, M5	6	6	6	6	6	6		
20	1	128170-91160	SENSOR	1	1	1	1	1	1		
21	1	128391-77860	HARNESS ASSY, WIRE	1	1	1	1	1	1		W
				(A=E21167)	(C=E01588)	(D=E02119)	(E=E21137)				

Fig.88. PANEL(B-TYPE,NEW,OPTIONAL)

P/C NEWS No:Y00F5052-3  
PUBLISHED:2003/7

Fig. 88 計器盤 (Bタイプ, 新形, オプション)  
INSTRUMENT PANEL (B-TYPE, NEW, OPTIONAL)



(A)=2GM20  
(B)=2GM20VE  
(C)=2GM20B

(D)=2GM20C  
(E)=2GM20F  
(F)=2GM20FVE

No.	Lev.	Parts No.	Description	Q'ty						I	R	
				(A)	(B)	(C)	(D)	(E)	(F)			
1	1	128391-91130	PANEL ASSY, INSTRUM				1					1
2	2	128391-91200	METER KIT				1					
3	2	129574-91870	HARNESS, WIRE				1					
4	2	124617-91980	BULB, 12V-1.7W				6					
5	2	119183-91860	WIRE				1					M
5-1	2	128391-91260	BOX				1					
6	2	128391-91860	WIRE				1					
7	2	128391-91700	GASKET				1					
8	2	129170-91650	COVER				1					
9	2	129574-91410	BRACKET, SWITCH				1					
10	2	121575-91250	SWITCH, KEY				1					
11	2	123482-91291	KEY				1					
12	2	104271-91352	BUZZER				1					
13	2	129170-91800	SWITCH				1					
14	2	129574-91780	CAP, RUBBER				2					
15	2	129574-91790	SWITCH				1					
16	2	120324-91690	COVER				1					
17	2	129170-91810	COVER				1					
18	2	128391-91930	PANEL				1					
19	2	129574-91620	BEZEL				1					
20	2	129574-91420	BRACKET				1					
21	2	129574-91720	GASKET				1					
22	2	128391-91640	BEZEL				1					
23	2	128391-91440	PLATE				1					
24	2	128391-91740	GASKET				1					
25	2	120324-91610	BEZEL				1					
26	2	129574-91710	GASKET				1					
27	2	129574-91750	GASKET				1					
28	2	129574-91770	KNOB				2					
29	2	129574-91650	BEZEL				1					
30	2	127692-91410	SCREW				8					
31	2	127692-91440	SCREW				4					
32	2	127692-91450	SCREW				2					
33	2	128391-91850	HARNESS, WIRE				1					
34	3	124617-91990	FUSE				1					
35	2	127687-91870	BOLT, M6X35				6					
36	2	127687-91880	WASHER				6					
37	2	129574-91760	COVER				1					W
				(D=*1994.01)								
38	1	128391-77700	HARNESS, WIRE				1					

Remarks

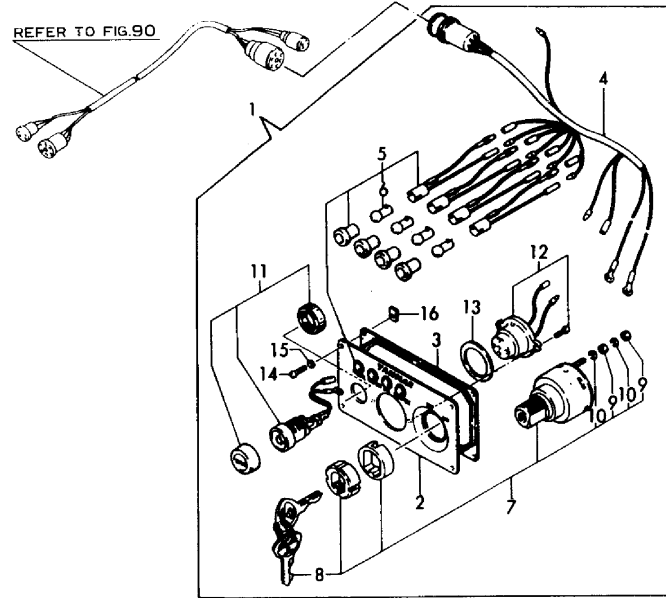
- (1)FOR 2GM20B TYPE NEW PANEL (E/#01588)
- (M)MISPRINT:REFER TO THE NEXT ITEM.

Fig.89. PANEL(A-TYPE)(OPTIONAL)

(A)=2GM20  
(B)=2GM20VE  
(C)=2GM20B

(D)=2GM20C  
(E)=2GM20F  
(F)=2GM20FVE

Fig. 89 計器盤 (Aタイプ) (オプション)  
PANEL (A-TYPE) (OPTIONAL)



No.	Lev.	Parts No.	Description	Q'ty						I	R
				(A)	(B)	(C)	(D)	(E)	(F)		
1	1	128371-91000	PANEL ASSY				1				
2	2	128270-91010	BODY, PANEL				1				
3	2	128270-91020	GASKET				1				
4	2	128371-91030	HARNES, WIRE				1				
5	2	128270-91040	LAMP, PILOT				4				
6	3	46150-001110	BULB(12V3W/G11.BA9S)				4				
7	2	124070-91250	SWITCH, KEY				1				
8	3	124070-91290	KEY, SWITCH				1				
9	3	26716-050002	NUT, M5				4				
10	3	22217-050000	WASHER, SPRING 5				4				
11	2	124070-91300	SWITCH				1				
12	2	128270-91350	BUZZER, ALARM				1				
13	2	128270-91360	GASKET				1				Z
14	2	128170-91810	SCREW, M5X35				4				
15	2	128170-91820	WASHER, 5				4				
16	2	128170-91830	NUT, M5				4				

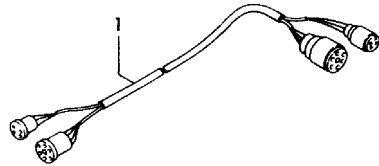


Fig.90. EXTENSION WIRE(OPTIONAL)

(A)=2GM20  
(B)=2GM20VE  
(C)=2GM20B

(D)=2GM20C  
(E)=2GM20F  
(F)=2GM20FVE

Fig. **90** エクステンションコード(オプション)  
EXTENSION WIRE (OPTIONAL)



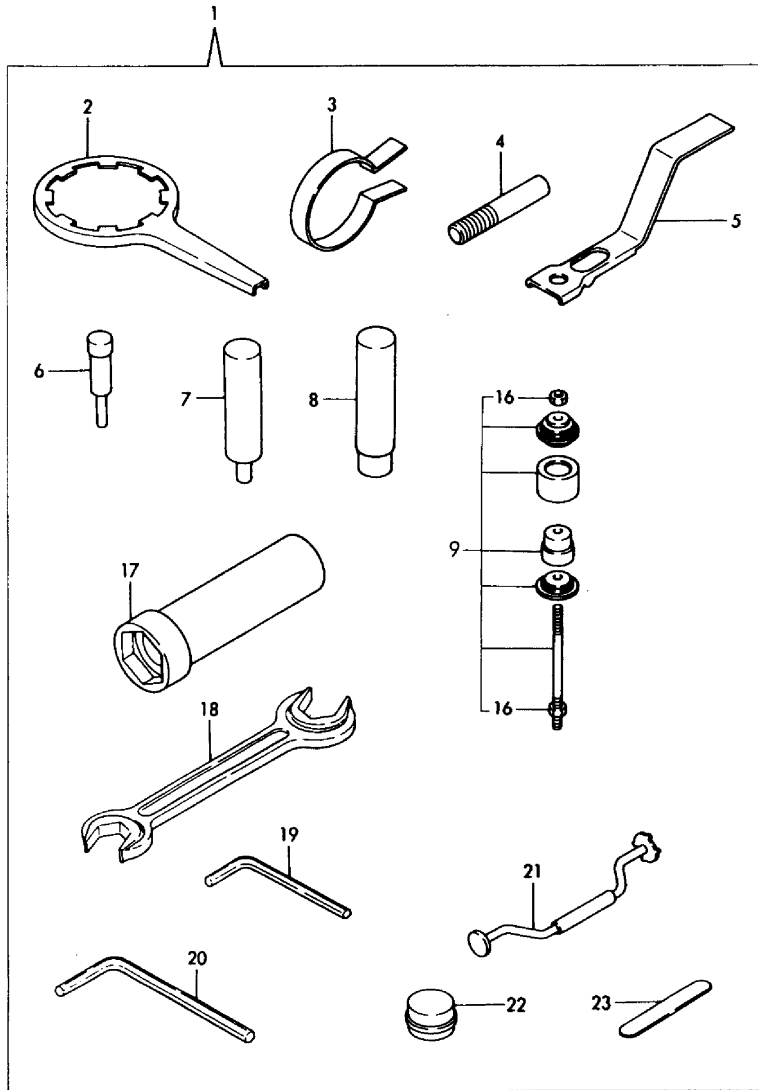
No.	Lev.	Parts No.	Description	Q'ty						I	R
				(A)	(B)	(C)	(D)	(E)	(F)		
1	1	128170-77500	CORD, EXTENSION 3000	1	1	1	1	1	1		

Fig.91. SPECIAL TOOL(OPTIONAL)

(A)=2GM20  
(B)=2GM20VE  
(C)=2GM20B

(D)=2GM20C  
(E)=2GM20F  
(F)=2GM20FVE

Fig.91 特殊工具(オプション)  
SPECIAL TOOL (OPTIONAL)



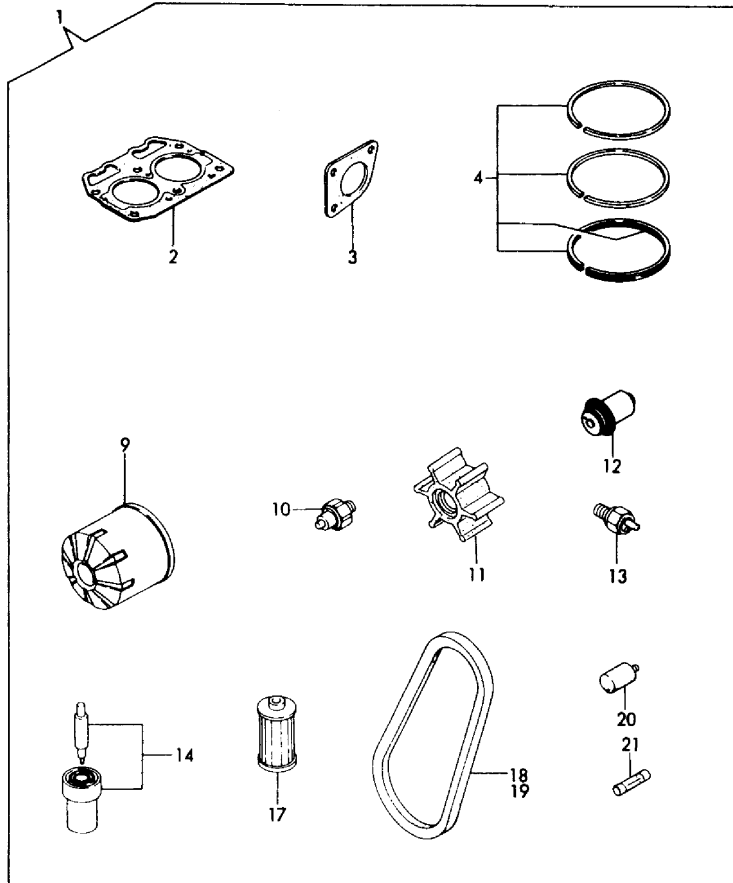
No.	Lev.	Parts No.	Description	Q'ty						I	R
				(A)	(B)	(C)	(D)	(E)	(F)		
1	1	728270-92400	TOOL ASSY, SPECIAL	1	1	1	1	1	1		
2	2	124550-35350	WRENCH, FILTER	1	1	1	1	1	1		
3	2	101200-92140	TOOL, PISTON&RING	1	1	1	1	1	1		
4	2	101104-92180	TOOL, NOZZLE REMOVER	1	1	1	1	1	1		
5	2	124085-92210	TOOL, VALVE REMOVER	1	1	1	1	1	1		
6	2	124085-92250	TOOL, VALVE GUIDE	1	1	1	1	1	1		
7	2	124085-92260	TOOL, PISTON PIN	1	1	1	1	1	1		
8	2	124085-92270	TOOL, PIN BUSH	1	1	1	1	1	1		
9	2	124085-92400	TOOL, METAL REMOVER	1	1	1	1	1	1		
16	3	26716-160002	NUT, M16	2	2	2	2	2	2		
17	2	124085-92700	WRENCH	1	1	1	1	1	1		
18	2	28110-270300	SPANNER, 27X30	1	1	1	1	1	1		
19	2	28150-040000	WRENCH, BAR 4	1	1	1	1	1	1		
20	2	28150-050000	WRENCH, BAR 5	1	1	1	1	1	1		
21	2	28210-000031	TOOL, VALVE RAPPING	1	1	1	1	1	1		
22	2	28210-000070	COMPOUND	1	1	1	1	1	1		
23	2	28312-150750	GAUGE, 0.15X75	1		1	1	1			
23-1	2	28312-200750	GAUGE, 0.20X75	1		1	1	1			N
				(A=E12944)		(C=E00768)		(D=E01081)		(E=E12988)	

Fig.92. REPAIR PART(OPTIONAL)

(A)=2GM20  
(B)=2GM20VE  
(C)=2GM20B

(D)=2GM20C  
(E)=2GM20F  
(F)=2GM20FVE

Fig.92 スペアパーツ (オプション)  
REPAIR SET (OPTIONAL)



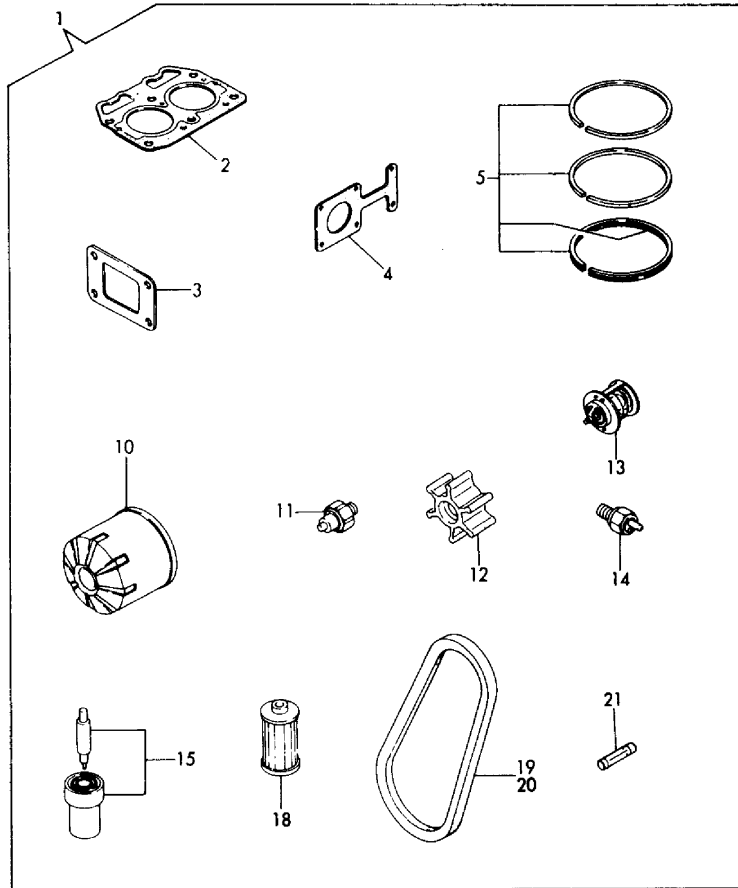
No.	Lev.	Parts No.	Description	Q'ty						I	R
				(A)	(B)	(C)	(D)	(E)	(F)		
1	1	728271-92500	PARTS KIT, SPARE	1	1	1	1				
2	2	128271-01330	GASKET, HEAD	1		1	1				
2-1	2	128271-01911	GASKET, HEAD	1		1	1				N
		(A=E12944)	(C=E00768)	(D=E01081)							
3	2	128170-13200	GASKET	1	1	1	1				
4	2	705311-22500	RING SET, PISTON	2	2	2	2				
9	2	124450-35100	FILTER, OIL	1	1	1	1				
10	2	124060-39451	SWITCH, 0.2KG	1	1	1	1				
11	2	104211-42070	IMPELLER	1	1	1	1				
12	2	105582-49200	THERMOSTAT	1	1	1	1				
13	2	128275-91340	SWITCH, 65	1	1	1	1				
14	2	124770-53000	VALVE ASSY,INJECTION	2	2	2	2				
17	2	104500-55710	ELEMENT	1	1	1	1				
18	2	104511-78780	V-BELT, M/19	1	1	1	1				
19	2	128670-77350	V-BELT, A31	1	1	1	1				
20	2	27210-200300	ZINC, SCREW20X30	2	2	2	2				
21	2	46150-003680	FUSE 30A	1	1	1	1				

Fig.93. REPAIR PART(OPTIONAL)

(A)=2GM20  
(B)=2GM20VE  
(C)=2GM20B

(D)=2GM20C  
(E)=2GM20F  
(F)=2GM20FVE

Fig. 93 スペアパーツ(オプション)  
REPAIR SET (OPTIONAL)



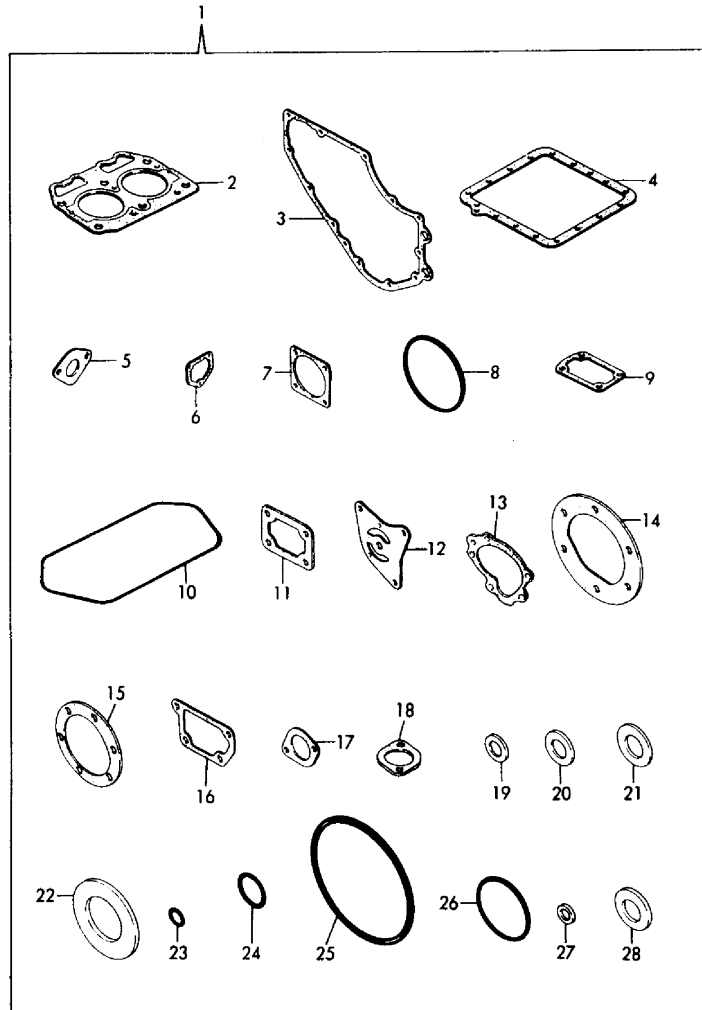
No.	Lev.	Parts No.	Description	Q'ty						I	R	
				(A)	(B)	(C)	(D)	(E)	(F)			
1	1	728291-92500	PARTS KIT, SPARE					1			1	
2	2	128271-01330	GASKET, HEAD					1				
2-1	2	128271-01911	GASKET, HEAD					1			N	
								(E=E08127)				
3	2	128370-13200	GASKET						1			
3-1	2	128370-13201	GASKET						1		N	
								(E=E17941)				
4	2	128290-13250	GASKET						1			
4-1	2	128290-13251	GASKET						1		N	
								(E=E17941)				
5	2	705311-22500	RING SET, PISTON						2		2	
10	2	124450-35100	FILTER, OIL						1			
10-1	2	119660-35150	FILTER, LUB. OIL						1		N	
								(E=E17887)				
10-2	2	119305-35151	FILTER ASSY, D68XL65						1		N	
								(E=EXXXXX)				
11	2	124060-39451	SWITCH, 0.2KG						1		1	
12	2	124223-42091	IMPELLER						1		1	
13	2	121750-49800	THERMOSTAT						1		1	
14	2	127610-91350	SWITCH, 95						1		1	
15	2	124770-53000	VALVE ASSY, INJECTION						2		2	
18	2	104500-55710	ELEMENT						1		1	
19	2	104511-78780	V-BELT, M/19						1		1	
20	2	124732-42290	V-BELT, AX37						1		1	
21	2	46150-003680	FUSE 30A						1		1	

Fig.94. GASKET SET(OPTIONAL)

(A)=2GM20  
(B)=2GM20VE  
(C)=2GM20B

(D)=2GM20C  
(E)=2GM20F  
(F)=2GM20FVE

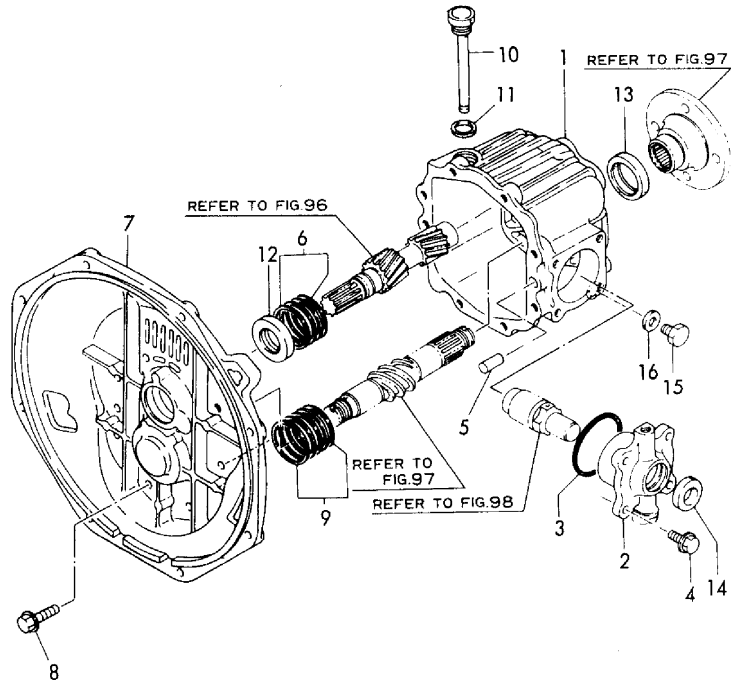
Fig.94 バッキンセット(オプション)  
GASKET SET (OPTIONAL)



No.	Lev.	Parts No.	Description	Q'ty						I	R
				(A)	(B)	(C)	(D)	(E)	(F)		
1	1	728271-92600	GASKET SET	1	1	1	1	1	1		
2	2	128271-01330	GASKET, HEAD	1		1	1	1			
2-1	2	128271-01911	GASKET, HEAD	1		1	1	1			N
		(A=E12944)	(C=E00768)	(D=E01081)	(E=E12988)						
3	2	121575-01510	GASKET, GEAR CASE	1	1	1	1	1	1		
4	2	124000-01750	GASKET, OIL SUMP	1	1	1	1	1	1		
5	2	121520-01850	GASKET	1	1	1	1	1	1		
6	2	121575-01860	GASKET	1	1	1	1	1	1		
7	2	124240-01882	GASKET	1	1	1	1	1	1		
7-1	2	124240-01883	GASKET	1	1	1	1	1	1		N
		(A=E12944)	(B=E12944)	(C=E12944)	(D=E12944)	(E=E16283)	(F=E12944)				
7-2	2	129C26-01890	GASKET, HO-P	1	1	1	1	1	1		R
		(A=E12944)	(B=E12944)	(C=E12944)	(D=E12944)	(E=E12944)	(F=E12944)				
8	2	105225-02040	GASKET	1		1	1	1			
8-1	2	105225-02020	O-RING	1		1	1	1			R
		(A=E12944)	(C=E00768)	(D=E01081)	(E=E12988)						
9	2	121000-03070	GASKET	1	1	1	1	1	1		
10	2	128270-11310	GASKET, BONNET	1	1	1	1	1	1		
11	2	121450-11680	GASKET	1	1	1	1	1	1		
12	2	121450-32021	GASKET, PUMP	1	1	1	1	1	1		
13	2	121000-42051	GASKET, WATER PUMP	1	1	1	1	1	1		
14	2	104211-42090	GASKET	1	1	1	1	1	1		
15	2	124223-42110	GASKET, WATER PUMP	1	1	1	1	1	1		
16	2	121450-44410	GASKET	1	1	1	1	1	1		
17	2	104211-49160	GASKET	1	1	1	1	1	1		
18	2	129350-49540	GASKET	1		1	1	1			
18-1	2	124736-49540	GASKET	1		1	1	1			R
		(A=E12944)	(C=E00768)	(D=E01081)	(E=E12988)						
19	2	23414-080000	GASKET, 8X1.0	20	20	20	20	20	20		
20	2	23414-100000	GASKET, 10X1.0	5	5	5	5	5	5		
21	2	23414-120000	GASKET, 12X1.0	20	20	20	20	20	20		
22	2	23414-250000	GASKET, 25X1.0	5	5	5	5	5	5		
23	2	24311-000100	O-RING, 1AP10.0	2	2	2	2	2	2		
24	2	24311-000160	O-RING, 1AP16.0	1	1	1	1	1	1		
25	2	24311-000700	O-RING, 1AP70.0	2	2	2	2	2	2		
26	2	24321-000350	O-RING, 1AG35.0	1	1	1	1	1	1		
27	2	43400-500390	SEAL WASHER 6S	2	2	2	2	2	2		
28	2	43400-500450	SEAL WASHER 12S	2	2	2	2	2	2		

Fig.95. CLUTCH HOUSING

Fig. **95** クラッチケース  
CLUTCH HOUSING



(A)=KM2C  
(B)=  
(C)=

(D)=  
(E)=  
(F)=

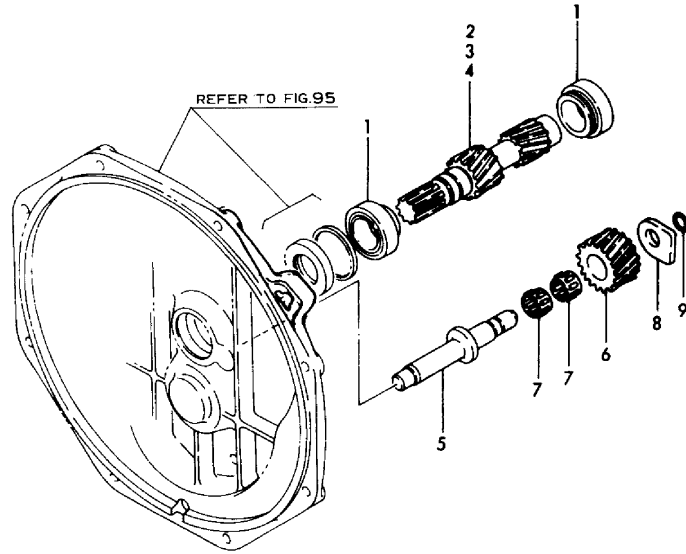
No.	Lev.	Parts No.	Description	Q'ty						I	R
				(A)	(B)	(C)	(D)	(E)	(F)		
1	1	177088-02011	HOUSING, CLUTCH	1							
2	1	177088-02091	COVER	1							
3	1	24341-000600	O-RING, 1AS60.0	1							
4	1	26016-080202	BOLT, M8X 20	4							
5	1	22312-100160	PIN, PARALLEL M10X16	2							
6	1	177088-02350	SHIM SET	1							
7	1	177088-02033	FLANGE	1							
8	1	26016-080252	BOLT, M8X 25	8							
9	1	177090-02250	SHIM	1							
10	1	177088-02450	DIPSTICK	1							
11	1	23414-160021	GASKET, 16X1.0	1							
12	1	177088-02950	SEAL SC25 40 8, OIL	1							
13	1	177088-02961	SEAL MHTA34 44 8,OIL	1							
14	1	177088-02970	SEAL, OIL	1							
15	1	23883-100002	PLUG, 10	1							
16	1	23414-100000	GASKET, 10X1.0	1							

Fig.96. INPUT SHAFT & SUPPORT SHAFT

(A)=KM2C  
(B)=  
(C)=

(D)=  
(E)=  
(F)=

Fig.96 インプットシャフト&サポートシャフト  
INPUT SHAFT & SUPPORT SHAFT



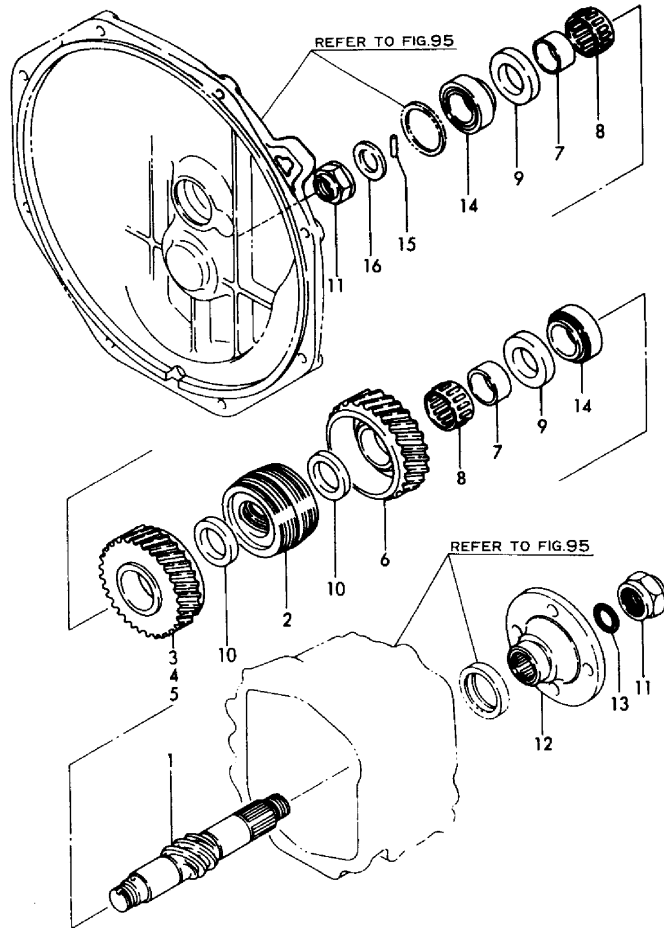
No.	Lev.	Parts No.	Description	Q'ty						I	R
				(A)	(B)	(C)	(D)	(E)	(F)		
1	1	177088-03400	ROLLER BERING	2							
2	1	177088-03030	SHAFT, INPUT	1							
3	1	177088-03011	SHAFT, INPUT l=2.62	1							
4	1	177088-03020	SHAFT, INPUT l=3.22	1							
5	1	177088-03301	SHAFT, IDLE	1							
6	1	177088-03311	GEAR, IDLE Z=26	1							
7	1	177088-03331	NEEDLE BERG.#K162213	2							
8	1	177088-03341	WASHER, THRUST	1							
9	1	24341-000120	O-RING, 1AS12.0	1							

Fig.97. OUTPUT SHAFT

(A)=KM2C  
(B)=  
(C)=

(D)=  
(E)=  
(F)=

Fig.97 アウトプットシャフト  
OUTPUT SHAFT



No.	Lev.	Parts No.	Description	Q'ty						I	R
				(A)	(B)	(C)	(D)	(E)	(F)		
1	1	177088-03091	SHAFT, OUTPUT	1							
2	1	177088-03071	CONE, DRIVE	1							
3	1	177088-03130	GEAR, FORWARD Z=53	1							
4	1	177088-03110	GEAR, FORWARD Z=55	1							
5	1	177088-03120	GEAR, FORWARD Z=58	1							
6	1	177088-03110	GEAR, FORWARD Z=55	1							
7	1	177088-03192	RACE, INNER	2							
8	1	177088-03201	NEEDLE BERG.#K303517	2							
9	1	177088-03232	COLLAR, THRUST	2							
10	1	177088-03252	COLLAR, THRUST	2							
11	1	177088-03272	NUT	2							
12	1	177088-03552	COUPLING	1							
13	1	24311-000180	O-RING, 1AP18.0	1							
14	1	177088-03520	R.BEARING07087/07204	2							
15	1	177088-03290	PIN	1							
16	1	177088-03280	COLLAR, 32D-45T	1							

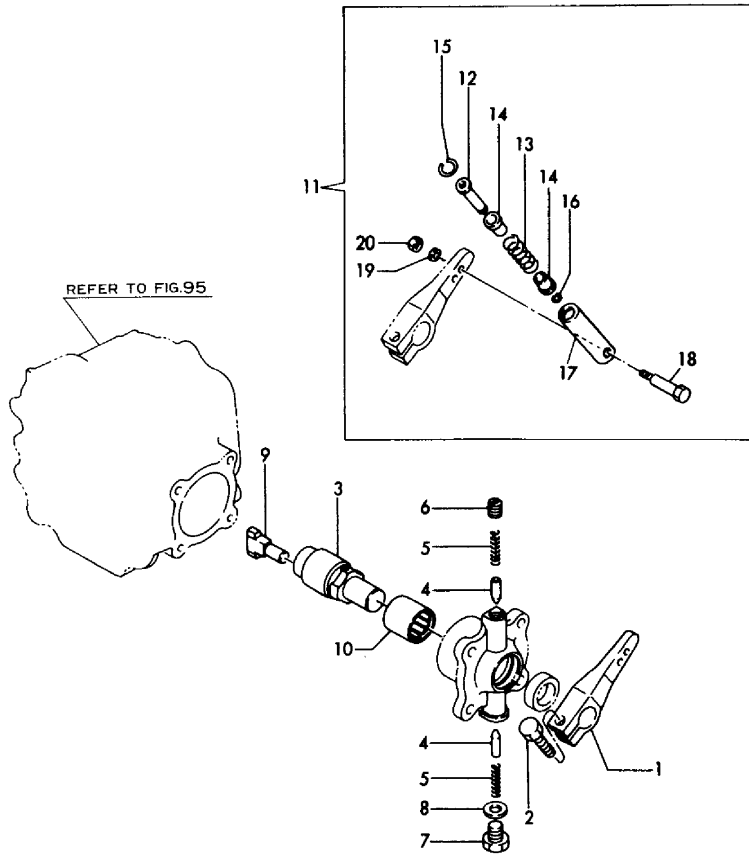


Fig.98. REMOTE CONTROL DEVICE

(A)=KM2C  
(B)=  
(C)=

(D)=  
(E)=  
(F)=

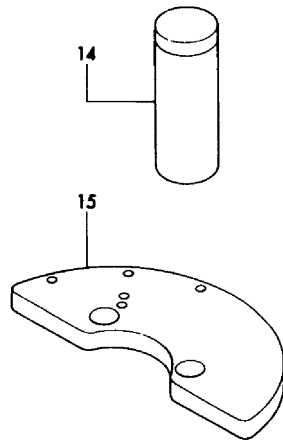
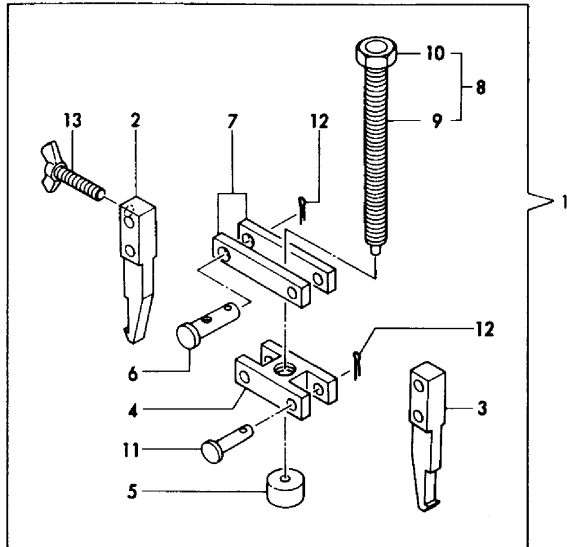
Fig.98 操纵装置  
REMOTE CONTROL DEVICE



No.	Lev.	Parts No.	Description	Q'ty						I	R
				(A)	(B)	(C)	(D)	(E)	(F)		
1	1	177095-06040	LEVER	1							
2	1	26106-080252	BOLT, M8X 25 PLATED	1							
3	1	177088-06010	SHAFT	1							
4	1	177095-03190	PIN	2							
5	1	177088-06020	SPRING	2							
6	1	26911-100102	SCREW, M10X10	1							
7	1	23883-100002	PLUG, 10	1							
8	1	23414-100000	GASKET, 10X1.0	1							
9	1	177088-06050	SHIFTER	1							
10	1	177088-06070	NEEDLE BERG. #HK3026	1							
11	1	177088-06090	CONNECTOR ASSY	1							
12	2	177088-06120	CONNECTOR	1							
13	2	177088-06170	SPRING	1							
14	2	177088-06140	RETAINER, SPRING	2							
15	2	177088-06150	CIRCLIP	1							
16	2	177088-06160	CIRCLIP	1							
17	2	177088-06110	HOLDER	1							
18	2	177088-06100	CONNECTOR	1							
19	2	22117-060000	WASHER, 6	1							
20	2	26716-060002	NUT, M6	1							

Fig.99. TOOL(OPTIONAL)

Fig.99 工具(オプション)  
TOOL (OPTIONAL)



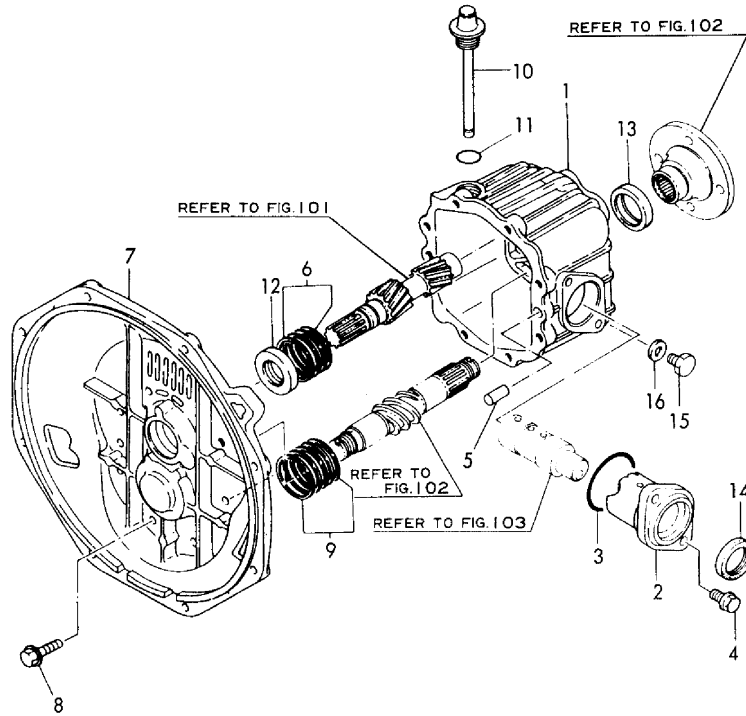
(A)=KM2C  
(B)=  
(C)=

(D)=  
(E)=  
(F)=

No.	Lev.	Parts No.	Description	Qty						I	R
				(A)	(B)	(C)	(D)	(E)	(F)		
1	1	177088-09010	TOOL ASSY, REMOVER	1							
2	2	177088-09020	TOOL	1							
3	2	177088-09030	TOOL	1							
4	2	177088-09040	SUPPORT	1							
5	2	177088-09050	RETAINER	1							
6	2	177088-09060	PIN	1							
7	2	177088-09070	SUPPORT	2							
8	2	177088-09080	BOLT ASSY	1							
9	3	177088-09090	BOLT	1							
10	3	26736-100002	NUT, M10	1							
11	2	22487-060240	PIN, H 6X 24	3							
12	2	22414-160120	PIN, COTTER 1.6X12	4							
13	2	26646-040352	WING BOLT	1							
14	1	177088-09150	TOOL, DRIVE	1							
15	1	177088-09160	JIG, LEVER LOCATING	1							

Fig.100. CLUTCH HOUSING

Fig. 100 クラッチケース  
CLUTCH HOUSING



(A)=KM2P  
(B)=  
(C)=

(D)=  
(E)=  
(F)=

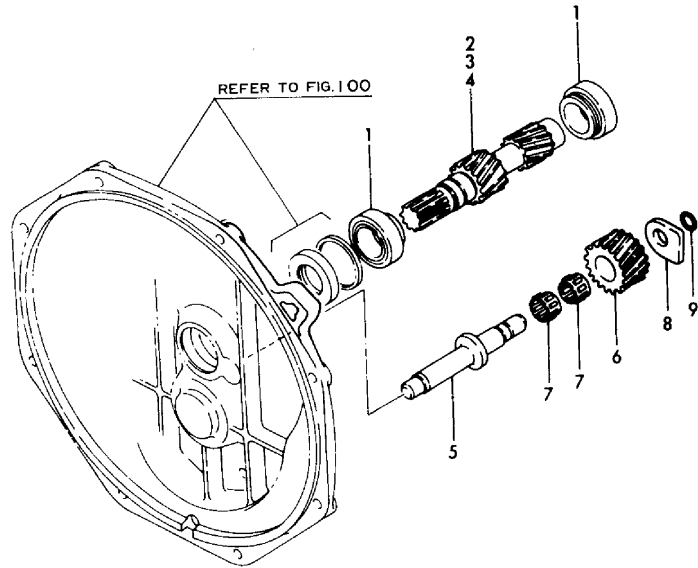
No.	Lev.	Parts No.	Description	Qty						I	R
				(A)	(B)	(C)	(D)	(E)	(F)		
1	1	177088-02012	HOUSING, CLUTCH	1							
2	1	177088-02120	COVER	1							
3	1	24321-000400	O-RING, 1AG40.0	1							
4	1	26013-080252	BOLT, M8X 25	2							
5	1	22312-100160	PIN, PARALLEL M10X16	2							
6	1	177088-02350	SHIM SET	1							
7	1	177088-02033	FLANGE	1							
8	1	26016-080252	BOLT, M8X 25	8							
9	1	177088-02300	SHIM SET	1							
10	1	177088-02451	DIPSTICK	1							
11	1	24311-000180	O-RING, 1AP18.0	1							
12	1	177088-02950	SEAL SC25 40 8, OIL	1							
13	1	177088-02961	SEAL MHA34 44 8,OIL	1							
14	1	24421-284008	SEAL, OIL TC284008	1							
15	1	23887-100002	PLUG, 10	1							
16	1	23414-100000	GASKET, 10X1.0	1							

Fig.101. INPUT SHAFT & SUPPORT SHAFT

(A)=KM2P  
(B)=  
(C)=

(D)=  
(E)=  
(F)=

Fig. **101** インพุットシャフト&サポートシャフト  
INPUT SHAFT & SUPPORT SHAFT



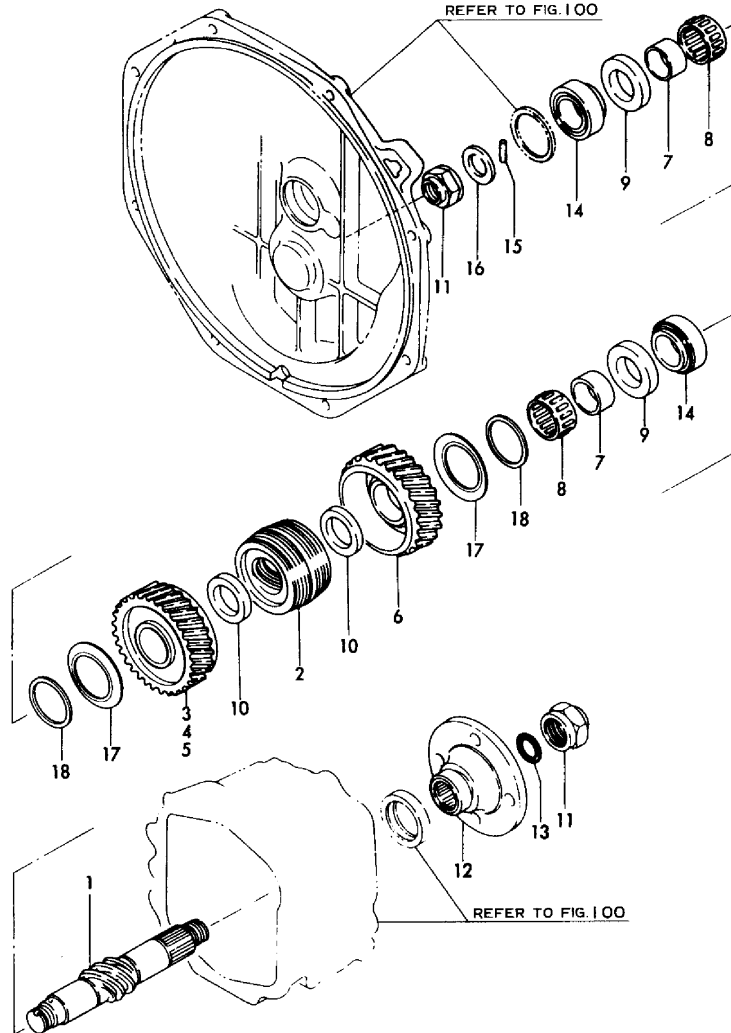
No.	Lev.	Parts No.	Description	Q'ty						I	R
				(A)	(B)	(C)	(D)	(E)	(F)		
1	1	177088-03400	ROLLER BERING	2							
2	1	177088-03031	SHAFT, INPUT l=2.21	1							
3	1	177088-03012	SHAFT, INPUT l=2.62	1							
4	1	177088-03021	SHAFT, INPUT l=3.22	1							
5	1	177088-03302	SHAFT, GEAR	1							
6	1	177088-03311	GEAR, IDLE Z=26	1							
7	1	177088-03331	NEEDLE BERG.#K162213	2							
8	1	177088-03341	WASHER, THRUST	1							
9	1	24341-000120	O-RING, 1AS12.0	1							

Fig.102. OUTPUT SHAFT

(A)=KM2P  
(B)=  
(C)=

(D)=  
(E)=  
(F)=

Fig. 102 アウトプットシャフト  
OUTPUT SHAFT



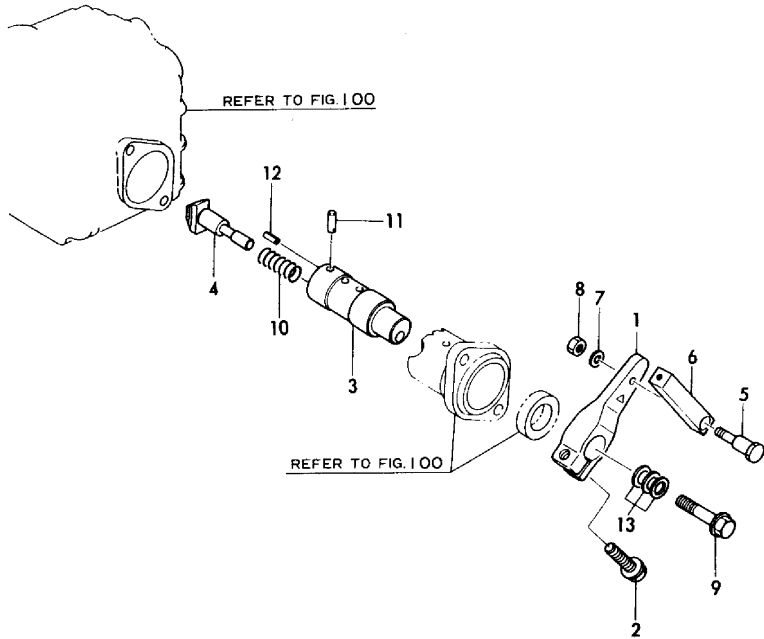
No.	Lev.	Parts No.	Description	Q'ty						I	R
				(A)	(B)	(C)	(D)	(E)	(F)		
1	1	177088-03092	SHAFT, OUTPUT	1							
2	1	177088-03072	CONE, DRIVE	1							
3	1	177088-03131	GEAR, FORWARD Z=53	1							
4	1	177088-03111	GEAR, FORWARD Z=55	1							
5	1	177088-03121	GEAR, FORWARD Z=58	1							
6	1	177088-03111	GEAR, FORWARD Z=55	1							
7	1	177088-03192	RACE, INNER	2							
8	1	177088-03201	NEEDLE BERG.#K303517	2							
9	1	177088-03233	COLLAR, THRUST	2							
10	1	177088-03252	COLLAR, THRUST	2							
11	1	177088-03272	NUT	2							
12	1	177088-03552	COUPLING	1							
13	1	24311-000180	O-RING, 1AP18.0	1							
14	1	177088-03520	R.BEARING07087/07204	2							
15	1	177088-03290	PIN	1							
16	1	177088-03280	COLLAR, 32D-45T	1							
17	1	177088-03540	SPRING	2							
18	1	177073-03340	RETAINER, SPRING	2							

Fig.103. REMOTE CONTROL DEVICE

(A)=KM2P  
(B)=  
(C)=

(D)=  
(E)=  
(F)=

Fig. 103 操縦装置  
REMOTE CONTROL DEVICE



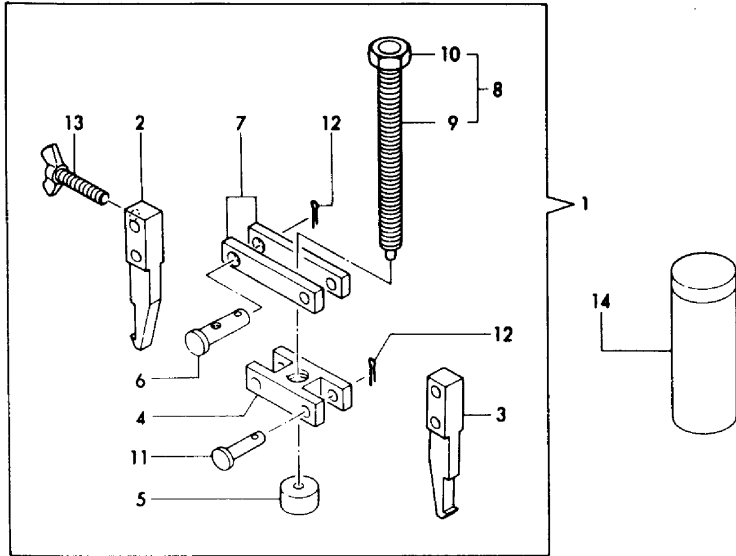
No.	Lev.	Parts No.	Description	Q'ty						I	R
				(A)	(B)	(C)	(D)	(E)	(F)		
1	1	177088-06400	LEVER	1							
2	1	26106-080252	BOLT, M8X 25 PLATED	1							
3	1	177088-06350	SHAFT, CONTROL	1							
4	1	177088-06390	SHIFTER	1							
5	1	177088-06101	CONNECTOR	1							
6	1	177088-06410	JOINT, 10-32UNF	1							
7	1	22137-060000	WASHER, 6	1							
8	1	26716-060002	NUT, M6	1							
9	1	177088-06360	BOLT	1							
10	1	177088-06370	SPRING	1							
11	1	196322-06610	PIN, PARALLEL 5X18	1							
12	1	22351-020012	PIN, SPRING 2.0X12	1							
13	1	177088-06380	SHIM SET	1							

Fig.104. TOOL(OPTIONAL)

(A)=KM2P  
(B)=  
(C)=

(D)=  
(E)=  
(F)=

Fig. 104 工具(オプション)  
TOOL(OPTIONAL)



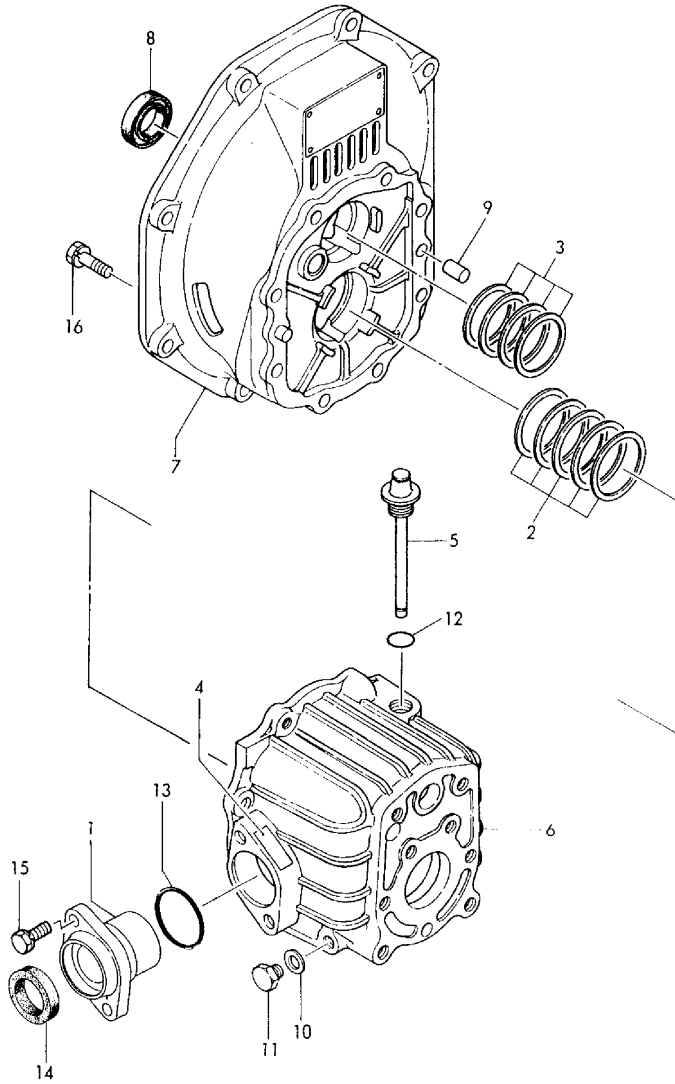
No.	Lev.	Parts No.	Description	Q'ty						I	R
				(A)	(B)	(C)	(D)	(E)	(F)		
1	1	177088-09010	TOOL ASSY, REMOVER	1							
2	2	177088-09020	TOOL	1							
3	2	177088-09030	TOOL	1							
4	2	177088-09040	SUPPORT	1							
5	2	177088-09050	RETAINER	1							
6	2	177088-09060	PIN	1							
7	2	177088-09070	SUPPORT	2							
8	2	177088-09080	BOLT ASSY	1							
9	3	177088-09090	BOLT	1							
10	3	26736-100002	NUT, M10	1							
11	2	22487-060240	PIN, H 6X 24	3							
12	2	22414-160120	PIN, COTTER 1.6X12	4							
13	2	26646-040352	WING BOLT	1							
14	1	177088-09150	TOOL, DRIVE	1							

Fig.105. CLUTCH HOUSING

(A)=KM3V  
(B)=  
(C)=

(D)=  
(E)=  
(F)=

Fig. 105 クラッチケース  
CLUTCH HOUSING



No.	Lev.	Parts No.	Description	Q'ty						I	R
				(A)	(B)	(C)	(D)	(E)	(F)		
1	1	177088-02120	COVER	1							
2	1	177088-02300	SHIM SET	1							
3	1	177088-02350	SHIM SET	1							
4	1	177088-02430	LABEL	1							
5	1	177088-02451	DIPSTICK	1							
6	1	177070-02511	HOUSING, CLUTCH	1							
7	1	177070-02520	FLANGE	1							
8	1	177088-02950	SEAL SC25 40 8, OIL	1							
9	1	22312-100160	PIN, PARALLEL M10X16	2							
10	1	23414-100000	GASKET, 10X1.0	1							
11	1	23887-100002	PLUG, 10	1							
12	1	24311-000180	O-RING, 1AP18.0	1							
13	1	24321-000400	O-RING, 1AG40.0	1							
14	1	24421-284008	SEAL, OIL TC284008	1							
15	1	26013-080252	BOLT, M8X 25	2							
16	1	26016-080252	BOLT, M8X 25	8							

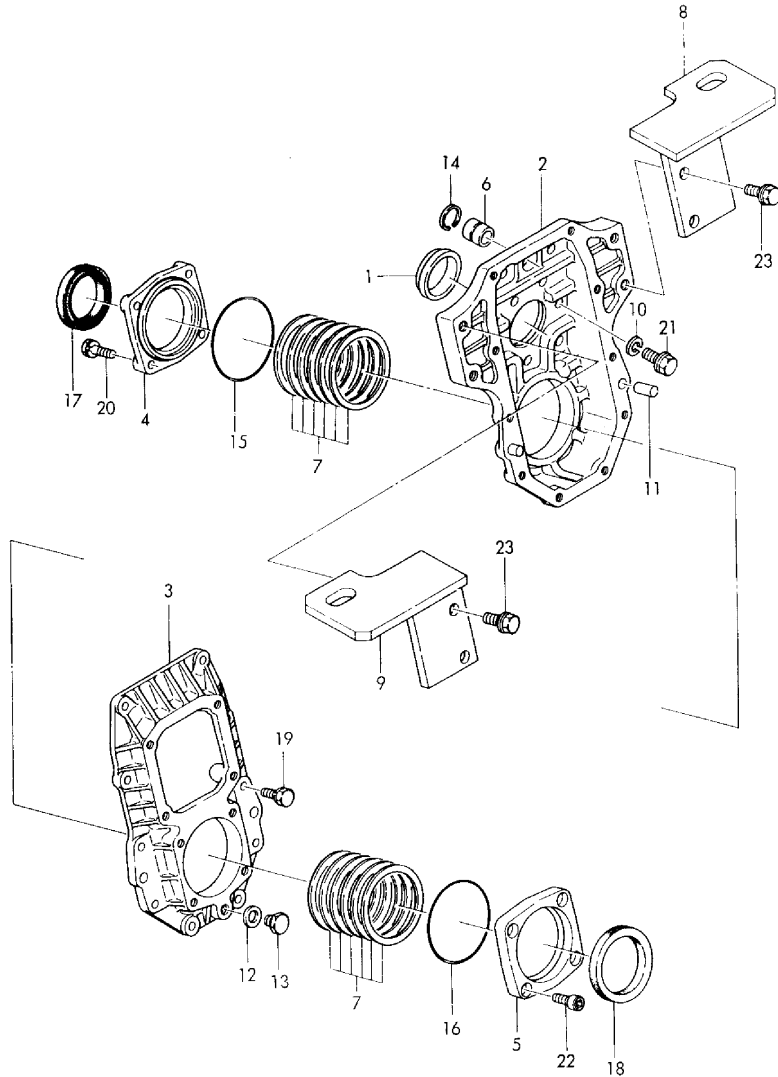


Fig.106. V-DRIVE HOUSING

(A)=KM3V  
(B)=  
(C)=

(D)=  
(E)=  
(F)=

Fig. **106** Vドライブケース  
V-DRIVE HOUSING



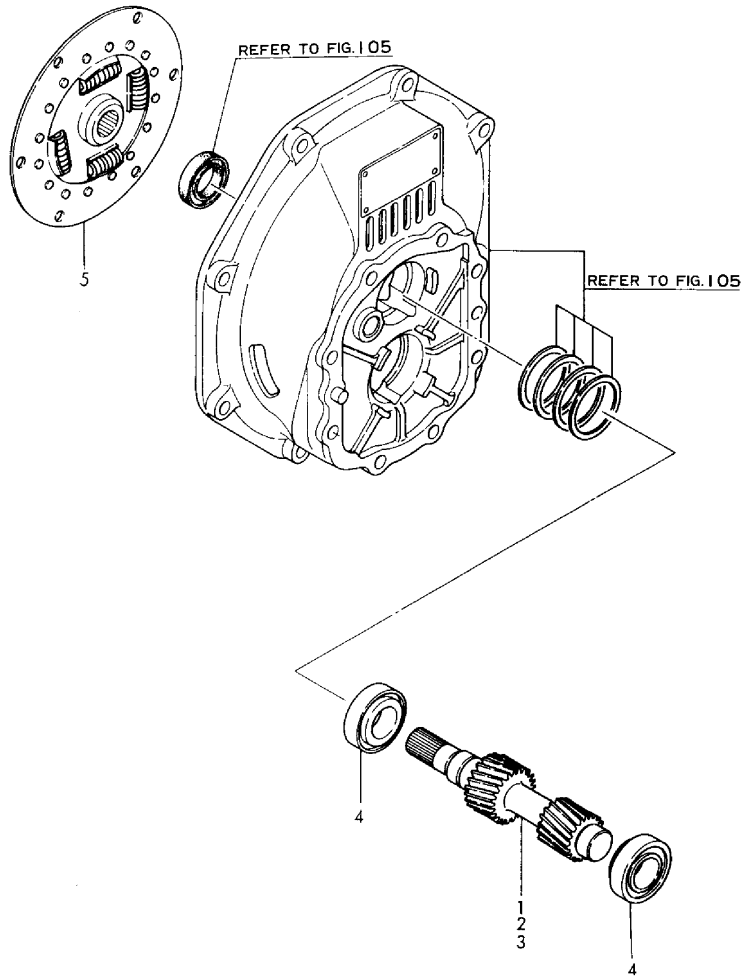
No.	Lev.	Parts No.	Description	Q'ty						I	R
				(A)	(B)	(C)	(D)	(E)	(F)		
1	1	177070-02680	BUSH	1							
2	1	177070-02801	HOUSING, DRIVE	1							
3	1	177070-02811	HOUSING, DRIVE	1							
4	1	177070-02820	COVER	1							
5	1	177070-02830	COVER	1							
6	1	177070-02840	PIN, PARALLEL	1							
7	1	177070-02850	SHIM SET	2							
8	1	177070-02900	BRACKET	1							
9	1	177070-02910	BRACKET	1							
10	1	22287-100000	WASHER, 10	8							
11	1	22287-100160	PARALLEL PIN 10X16	2							
12	1	23414-100000	GASKET, 10X1.0	1							
13	1	23887-100002	PLUG, 10	1							
14	1	24164-000202	CIRCLIP, 20	1							
15	1	24341-000750	O-RING, 1AS75.0	1							
16	1	24341-000750	O-RING, 1AS75.0	1							
17	1	24421-456209	SEAL, OIL TC456209	1							
18	1	24421-557209	SEAL, OIL TC557209	1							
19	1	26016-080252	BOLT, M8X 25	10							
20	1	26016-080252	BOLT, M8X 25	4							
21	1	26106-100252	BOLT, M10X 25 PLATED	8							
22	1	26450-080202	BOLT, M8X 20	4							
23	1	26106-100252	BOLT, M10X 25 PLATED	4							

Fig.107. INPUT SHAFT

(A)=KM3V  
(B)=  
(C)=

(D)=  
(E)=  
(F)=

Fig. **107** インプットシャフト  
INPUT SHAFT



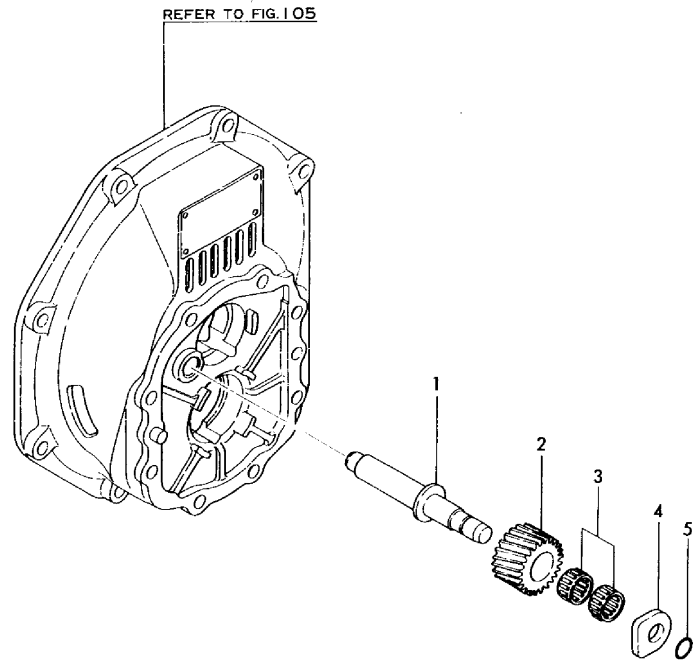
No.	Lev.	Parts No.	Description	Q'ty						I	R
				(A)	(B)	(C)	(D)	(E)	(F)		
1	1	177070-03011	SHAFT, INPUT l=2.61	1							
2	1	177070-03021	SHAFT, INPUT l=3.20	1							
3	1	177070-03031	SHAFT, INPUT l=2.36	1							
4	1	177088-03400	ROLLER BERING	2							
5	1	177070-03500	DISK, DAMPER	1							

Fig.108. SUPPORT SHAFT

(A)=KM3V  
(B)=  
(C)=

(D)=  
(E)=  
(F)=

Fig. **108** サポートシャフト  
SUPPORT SHAFT



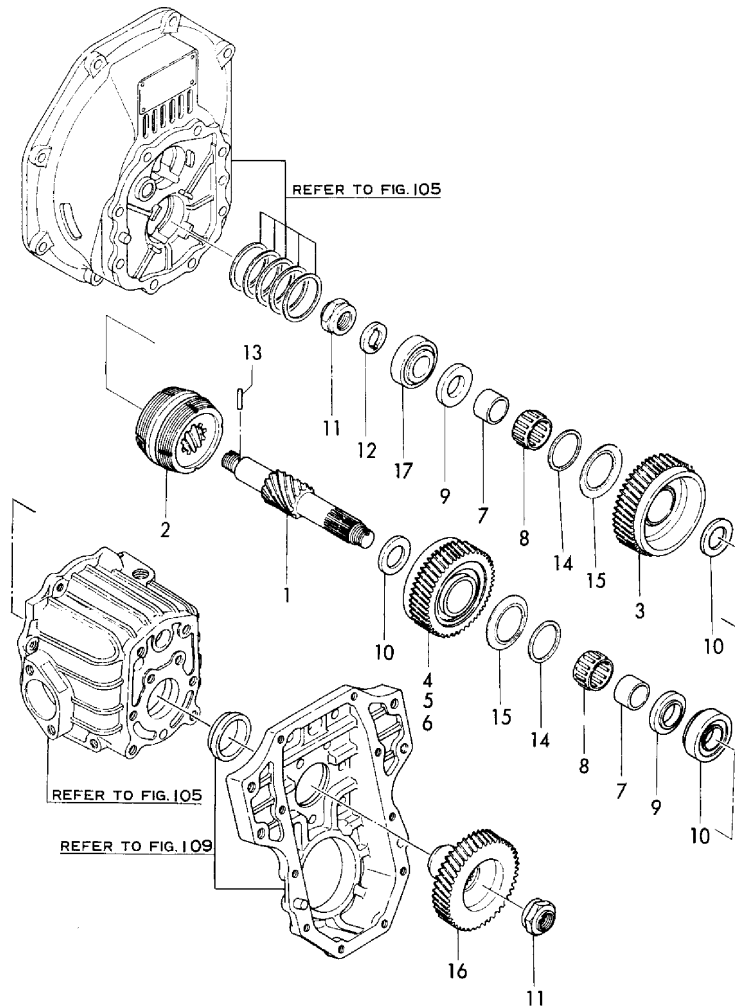
No.	Lev.	Parts No.	Description	Q'ty						I	R
				(A)	(B)	(C)	(D)	(E)	(F)		
1	1	177070-03302	SHAFT, IDLE	1							
2	1	177088-03311	GEAR, IDLE Z=26	1							
3	1	177088-03331	NEEDLE BERG.#K162213	2							
4	1	177088-03341	WASHER, THRUST	1							
5	1	24341-000120	O-RING, 1AS12.0	1							

Fig.109. OUTPUT SHAFT

(A)=KM3V  
(B)=  
(C)=

(D)=  
(E)=  
(F)=

Fig. 109 アウトプットシャフト  
OUTPUT SHAFT



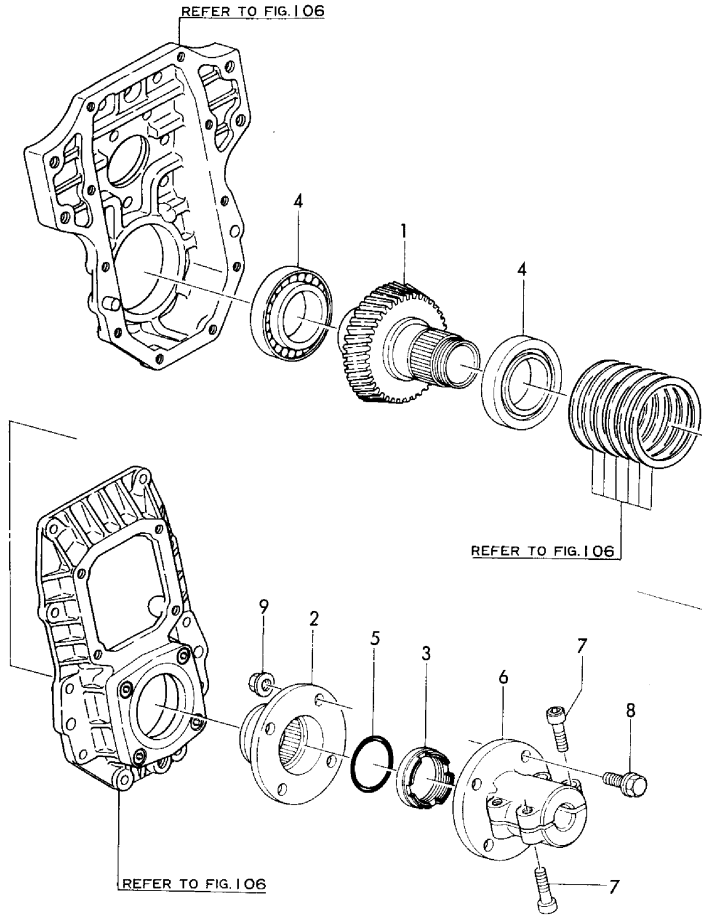
No.	Lev.	Parts No.	Description	Q'ty						I	R
				(A)	(B)	(C)	(D)	(E)	(F)		
1	1	177070-03041	SHAFT, OUTPUT	1							
2	1	177070-03071	CONE, DRIVE	1							
3	1	177070-03112	GEAR, Z=60	1							
4	1	177070-03112	GEAR, Z=60	1							
5	1	177070-03122	GEAR, FORWARD Z=64	1							
6	1	177070-03131	GEAR, FORWARD Z=59	1							
7	1	177070-03190	RACE, BEARING	2							
8	1	177070-03200	NEEDLE BEARING	2							
9	1	177070-03231	COLLAR, THRUST	2							
10	1	177070-03250	COLLAR, THRUST	2							
11	1	177088-03272	NUT	2							
12	1	177088-03280	COLLAR, 32D-45T	1							
13	1	177088-03290	PIN	1							
14	1	177073-03340	RETAINER, SPRING	2							
15	1	177088-03540	SPRING	2							
16	1	177070-03600	GEAR, Z=46	1							
17	1	24141-302050	BEARING, 30205	2							

Fig.110. V-DRIVE SHAFT

(A)=KM3V  
(B)=  
(C)=

(D)=  
(E)=  
(F)=

Fig. **110** Vドライブシャフト  
V-DRIVE SHAFT



No.	Lev.	Parts No.	Description	Q'ty						I	R
				(A)	(B)	(C)	(D)	(E)	(F)		
1	1	177070-03610	SHAFT, DRIVE	1							
2	1	177070-03620	COUPLING	1							
3	1	177070-03630	NUT, LOCK	1							
4	1	24141-320090	BEARING, 32009	2							
5	1	24321-000400	O-RING, 1AG40.0	1							
6	1	104214-83980	COUPLING	1							1
7	1	26206-100302	BOLT, M10X 30 PLATED	4							1
8	1	26450-080302	BOLT, M8X 30	4							1
9	1	26706-100002	NUT, M10	4							1

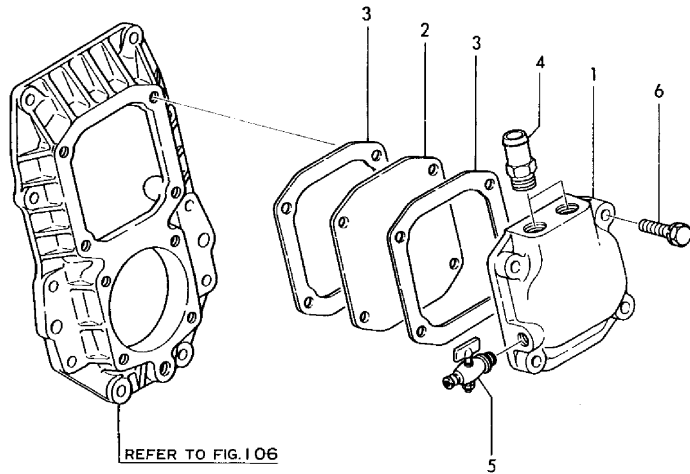
Remarks  
1) OPTIONL PARTS

Fig.111. LUB. OIL COOLER

(A)=KM3V  
(B)=  
(C)=

(D)=  
(E)=  
(F)=

Fig. 111 潤滑油クーラ  
LUB.OIL COOLER



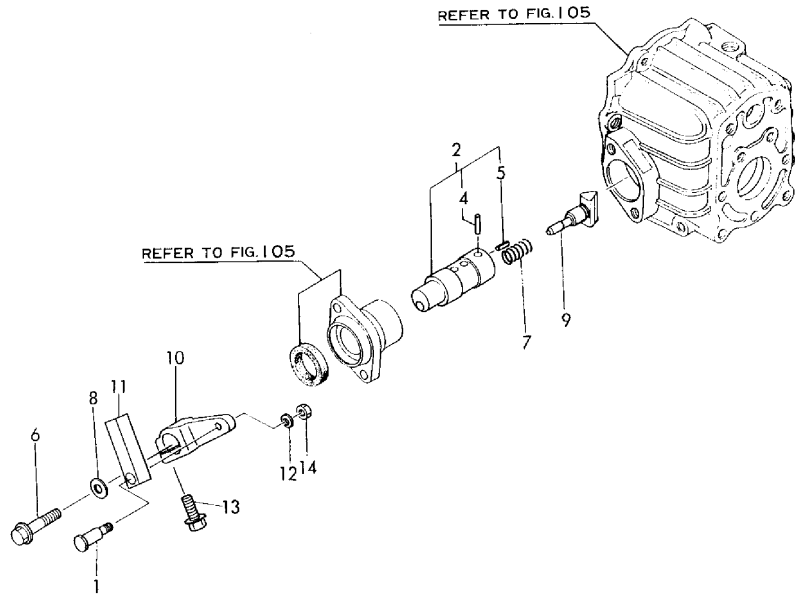
No.	Lev.	Parts No.	Description	Q'ty						I	R
				(A)	(B)	(C)	(D)	(E)	(F)		
1	1	177070-04250	BODY, COOLER	1							
2	1	177070-04260	PLETE, COOLER	1							
3	1	177070-04270	GASKET	2							
4	1	177070-04280	JOINT	2							
5	1	128695-44090	COCK	1							
6	1	26016-080352	BOLT, M8X 35	4							

Fig.112. REMOTE CONTROL DEVICE

(A)=KM3V  
(B)=  
(C)=

(D)=  
(E)=  
(F)=

Fig. **112** 操纵装置  
REMOTE CONTROL DEVICE



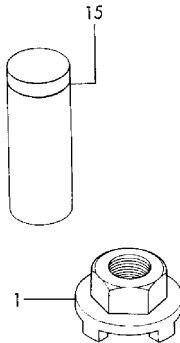
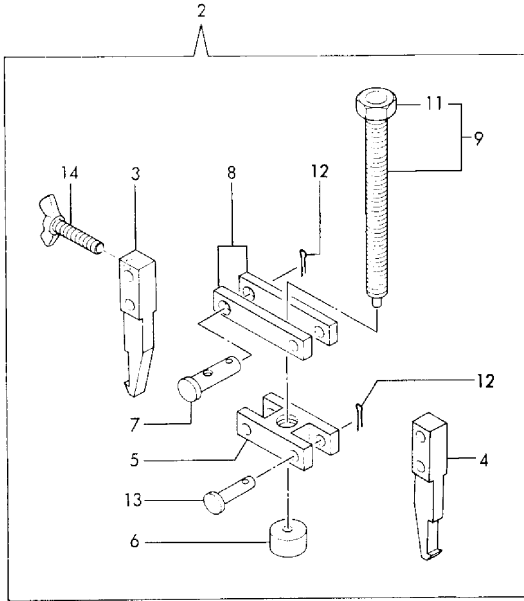
No.	Lev.	Parts No.	Description	Q'ty						I	R
				(A)	(B)	(C)	(D)	(E)	(F)		
1	1	177088-06101	CONNECTOR	1							
2	1	177088-06340	SHAFT ASSY	1							
4	2	196322-06610	PIN, PARALLEL 5X18	1							
5	2	22351-020012	PIN, SPRING 2.0X12	1							
6	1	177088-06360	BOLT	1							
7	1	177088-06370	SPRING	1							
8	1	177088-06380	SHIM SET	1							
9	1	177088-06390	SHIFTER	1							
10	1	177088-06400	LEVER	1							
11	1	177088-06410	JOINT, 10-32UNF	1							
12	1	22137-060000	WASHER, 6	1							
13	1	26106-080252	BOLT, M8X 25 PLATED	1							
14	1	26716-060002	NUT, M6	1							

Fig.113. TOOL(OPTIONAL)

(A)=KM3V  
(B)=  
(C)=

(D)=  
(E)=  
(F)=

Fig. 113 工具(オプション)  
TOOL (OPTIONAL)



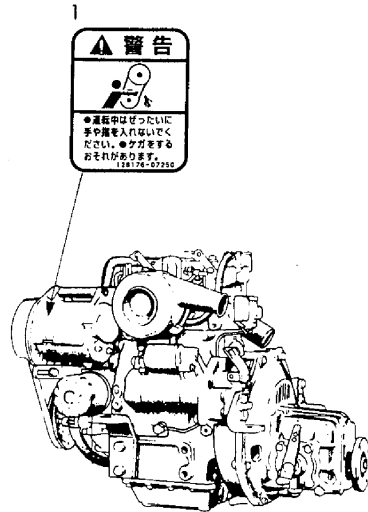
No.	Lev.	Parts No.	Description	Q'ty						I	R
				(A)	(B)	(C)	(D)	(E)	(F)		
1	1	177070-09010	TOOL, NUT	1							
2	1	177088-09010	TOOL ASSY, REMOVER	1							
3	2	177088-09020	TOOL	1							
4	2	177088-09030	TOOL	1							
5	2	177088-09040	SUPPORT	1							
6	2	177088-09050	RETAINER	1							
7	2	177088-09060	PIN	1							
8	2	177088-09070	SUPPORT	1							
9	2	177088-09080	BOLT ASSY	1							
11	3	26736-100002	NUT, M10	1							
12	2	22414-160120	PIN, COTTER 1.6X12	4							
13	2	22487-060240	PIN, H 6X 24	3							
14	2	26646-040352	WING BOLT	1							
15	1	177088-09150	TOOL, DRIVE	1							



Fig.114. SAFETY LABEL

発行No.000Y005052-1  
更新年月:1995.08  
REVISED: Sep.,1995

Fig.114 安全銘板  
SAFETY LABEL



警告表示(ラベル)の部品コード番号

1	部品番号	128176-07250
---	------	--------------

安全銘板の貼付け位置は、取扱説明書をご参照下さい。

今回この項目を追加しました。  
THIS FIGURE IS NEWLY ADDED.

(A)=2GM20  
(B)=2GM20VE  
(C)=2GM20B

(D)=2GM20C  
(E)=2GM20F  
(F)=2GM20FVE

No.	Lev.	Parts No.	Description	Q'ty						I	R
				(A)	(B)	(C)	(D)	(E)	(F)		
1	1	128176-07250	LABEL, CAUTION	1	1	1					

## Parts No. Index

Parts No.	Fig. No.	Ref. No.
101104-92180	91	4
101147-11900	17	48
	18	46
101147-59810	53	5
101158-11190	17	9
	18	9
101158-11230	17	39
	18	37
101200-92140	91	3
101720-55750	47	7
	48	7
102210-07990	10	3
103288-39170	32	3
	53	3
103338-11430	17	44
	18	42
103854-51251	44	23
103854-51660	44	31
103854-53180	46	11
103854-59191	51	11
	52	11
103854-59201	51	12
	52	12
104200-11180	17	18
	18	18
104200-14200	23	5
	24	5
104200-61200	54	4
104200-92350	72	7
104211-03770	58	3
104211-11370	17	11
	18	11
104211-42050	33	3
104211-42070	33	5
	92	11
104211-42080	33	6
104211-42090	33	7
	94	14
104211-42100	33	8
104211-42110	33	9
104211-42120	33	10
104211-42130	33	11
	54	1
104211-49080	38	2
104211-49160	41	7
	94	17
104211-53120	46	8
104214-13580	75	6
	76	5
104214-83980	85	1

Parts No.	Fig. No.	Ref. No.
104214-83980	110	6
104264-59020	51	4
	52	4
104264-59030	45	3
104264-59040	51	5
	52	5
104271-67550	81	1
104271-91351	87	16
104271-91352	88	12
104500-55710	47	3
	48	3
	92	17
	93	18
104511-78780	33	22
	34	22
	92	18
	93	19
104884-59170	51	20
105225-02020	8	5 -1
	94	8 -1
105225-02040	8	5
	94	8
105225-02300	8	14
105225-11100	17	6
	18	6
105225-11110	17	7
	18	7
105225-11350	17	12
	18	12
105225-22300	26	8
105225-22400	26	9
105225-23180	27	9
105225-23200	27	4
105311-01090	1	4
	2	4
105311-11420	17	42
	18	40
105311-22090	26	1
105311-23380	27	7
105311-59500	53	1
105311-67100	60	1
105311-67200	59	3
	60	3
105500-51300	44	7 -1
105582-07061	10	2
105582-49200	41	1
	92	12
105582-59150	45	4
	51	10
	52	10

Parts No.	Fig. No.	Ref. No.
105583-49910	1	23
105583-85900	83	1
110250-53150	46	10
110250-55610	47	5
	48	5
113200-53110	46	7
113200-53120	46	9
119183-91860	88	5
119305-35151	30	6 -2
	93	10 -2
119660-35150	30	6 -1
	93	10 -1
120130-49350	1	22
	2	20
	36	26
120324-91610	88	25
120324-91690	88	16
120445-44530	37	1 -1
120445-44540	37	2
120445-44620	10	9
121000-01850	3	17
	4	17
121000-03020	9	1
121000-03070	9	2
	94	9
121000-03080	9	6
121000-11050	17	17
	18	17
121000-42051	35	2
	94	13
121000-42100	35	3
121000-61600	54	16
121000-66090	55	3
121150-35100	30	5
121370-55730	47	4
	48	4
121450-01203	1	19
	2	17
121450-01210	1	6
	2	6
121450-01220	1	7
	2	7
121450-01560	3	3
	4	3
121450-01800	3	12
	4	12
		12 -1
121450-01801	3	12 -2
	4	12 -2
121450-01960	1	13

Parts No.	Fig. No.	Ref. No.
121450-01960	2	13
121450-01980	1	14
	2	14
121450-01990	1	11 -1
	2	11 -1
121450-02071	8	13
121450-02100	1	15
	2	16
	8	7
121450-02110	8	3
121450-02160	8	10
121450-02310	1	34
	2	31
	8	17
121450-02320	8	15
121450-02370	8	16
121450-11260	17	26
	18	24
121450-11270	17	27
	18	25
121450-11670	18	19
121450-11680	17	20
	18	20
	36	21
	94	11
121450-11681	17	20 -1
	18	20 -1
	36	21 -1
121450-14400	23	6
	24	6
121450-21540	25	8
121450-21541	25	8 -1
121450-32021	28	1
	94	12
121450-32050	28	4
		4 -1A
121450-32060	28	4 -1B
121450-32200	28	10
121450-42240	35	6
121450-42260	35	7
121450-42310	35	8
121450-44410	35	16
	41	4
	94	16
121450-51550	44	25
121450-59850	49	4
121465-59950	49	6
	50	4
121520-01850	45	1
	94	5

## Parts No. Index

Parts No.	Fig. No.	Ref. No.
121520-01851	45	1 -1
121550-11280	17	31
	18	29
121550-11290	17	32
	18	30
121574-21500	25	14
121574-86320	59	14
	70	4
121575-01510	3	6
	4	6
	94	3
121575-01511	3	6 -1
	4	6 -1
121575-01860	3	18
	4	18
	94	6
121575-01861	3	18 -1
	4	18 -1
121575-07230	11	1
121575-07240	12	2
121575-11121	17	8
	18	8
121575-11670	17	19
121575-32090	28	2
121575-42000	34	1
121575-42120	34	16
121575-42150	34	13
121575-49300	34	18
121575-49310	40	3
121575-61160	54	12
121575-61161	54	12 -1
121575-61220	54	5
121575-61620	54	17
121575-61710	54	18
121575-61720	54	19
121575-66051	55	2
121575-66200	55	9
121575-66310	54	20
121575-66510	58	1
121575-66550	58	5
121575-66580	58	6
121575-66800	56	1
	57	6
121575-66850	56	2
121575-67580	59	8
	60	8
121575-67581	59	8 -1
	60	8 -1
121575-91250	88	10
121750-49800	42	3

Parts No.	Fig. No.	Ref. No.
121750-49800	93	13
121750-59890	43	5
122410-61650	54	15
122780-09320	16	4
	17	22
122780-59100	49	3
123210-09310	1	17
	16	2
		5
	17	23
123310-77640	65	1
123372-03150	12	3
123372-59100	50	3
123482-91291	88	11
123682-07850	10	6
123682-44190	36	13
123682-44200	36	16
123682-44201	36	16 -1
123682-44210	36	14
123682-44220	36	15
124000-01750	5	2
	94	4
124000-01751	5	2 -1
124000-03200	9	4
124000-11240	17	28
	18	26
124000-13200	75	5
124000-14090	23	2
	24	2
124060-01050	1	3
	2	3
	3	5
	4	5
124060-11160	17	3
	18	3
124060-32990	1	29
	2	26
124060-39451	32	10
	92	10
	93	11
124060-59380	51	13
	52	13
124070-13300	76	3
124070-13520	76	1
124070-14760	23	10
124070-42060	33	4
124070-42400	33	12
	34	17
124070-42410	33	13
124070-42420	33	14

Parts No.	Fig. No.	Ref. No.
124070-42420	34	6
124070-59060	80	2
124070-59130	80	3
124070-77950	66	4
124070-91250	71	8
	87	10
	89	7
124070-91290	71	9
	87	11
	89	8
124070-91300	71	12
	87	14
	89	11
124085-01900	1	9
	2	9
124085-02220	8	4
124085-35300	31	1
124085-35350	31	7
124085-51500	44	24
124085-92210	91	5
124085-92250	91	6
124085-92260	91	7
124085-92270	91	8
124085-92400	91	9
124085-92700	91	17
124101-49530	42	1 -1
124160-01751	19	10
124160-11360	19	13
124160-39140	32	8
124160-39540	32	4
124160-49480	2	21
	36	25
124220-09340	10	8
124220-51890	44	30
124223-42040	34	9
124223-42070	34	10
124223-42080	34	8
124223-42091	34	3
	93	12
124223-42110	34	14
	94	15
124223-49050	43	6
	79	2
124240-01871	1	25
	2	22
124240-01882	1	26 -1
	2	23
	94	7
124240-01883	1	26 -2
	2	23 -1

Parts No.	Fig. No.	Ref. No.
124240-01883	94	7 -1
124250-03640	58	4
124323-42100	34	19
124450-35070	30	4
124450-35100	30	6
		7
	92	9
	93	10
124450-39240	32	9
	51	1
	52	1
124460-77680	1	32
	2	29
	36	27
		29 -1
124550-35350	91	2
124550-51320	44	11
124550-51341	44	12
124550-51350	44	10
124550-51370	44	13
124550-51590	44	26
124550-59820	32	7
124550-77030	62	2
124617-91980	88	4
124617-91990	88	34
124722-59050	36	29
124732-42290	64	3
	93	20
124736-49540	42	2 -1
	94	18 -1
124770-49040	40	2
124770-53000	46	2
	92	14
	93	15
124770-77940	66	3
124772-08341	15	1
124790-44470	36	19
124790-44560	37	3
124790-55601	47	1
	48	1
124790-59530	53	4
124950-01951	3	21
	4	21
124950-11340	17	10
	18	10
124950-11450	17	45
	18	43
124950-21600	25	13
124950-26021	1	26
124950-51190	44	15

## Parts No. Index

Parts No.	Fig. No.	Ref. No.	Parts No.	Fig. No.	Ref. No.	Parts No.	Fig. No.	Ref. No.	Parts No.	Fig. No.	Ref. No.
124950-51270	44	6	128170-91160	87	20	128270-42150	33	21	128271-77921	66	1 -3
124950-51450	44	35	128170-91310	87	15	128270-42150	34	21	128272-11170	17	4
124950-51510	44	14	128170-91810	71	15	128270-49010	39	1		18	4
124950-51640	44	28		87	17	128270-49020	39	2	128275-11410	17	41
124950-51650	44	29 A		89	14	128270-49050	39	3		18	39
124950-51670	44	29	128170-91820	71	16	128270-49100	41	3	128275-11490	17	46
126630-07370	10	5		87	18	128270-49250	75	9		18	44
127610-91350	42	4		89	15	128270-49300	33	15	128275-11500	17	47
	93	14	128170-91830	71	17	128270-55610	47	11		18	45
127611-07350	10	4		87	19	128270-59011	51	2	128275-39710	77	2
127687-91870	88	35		89	16	128270-59080	51	6	128275-91340	41	2
127687-91880	88	36	128171-07150	10	13	128270-59810	49	1		92	13
127692-91410	88	30	128171-22250	26	10	128270-59820	49	2	128290-13250	36	31
127692-91440	88	31	128171-81010	67	1	128270-66010	55	1		93	4
127692-91450	88	32	128171-81020	67	2	128270-66550	57	1	128290-13251	36	31 -1
128170-01600	6	1	128171-81030	67	3	128270-67100	59	1		93	4 -1
128170-01830	3	15	128171-81110	67	1 -1	128270-77921	66	1	128290-44011	36	2
128170-07850	10	7	128171-81120	67	2 -1	128270-91001	71	1	128290-44050	36	3
128170-08100	13	1	128171-81130	67	3 -1	128270-91010	71	2	128290-44400	36	18
128170-08120	13	2	128171-81150	67	7		89	2	128290-44481	36	22
	14	1			7 -1	128270-91020	71	3	128290-44900	36	1 -1
128170-08130	13	3	128176-07250	114	1		89	3	128290-49510	40	4
	14	2	128270-01450	1	24	128270-91031	71	4	128290-59010	52	2
128170-13200	21	2	128270-01720	5	1	128270-91040	71	5	128290-59080	52	6
	92	3	128270-01820	3	13		89	5	128290-59810	50	1
128170-13201	21	2 -1		4	13	128270-91230	71	7	128290-59820	50	2
128170-13530	21	1	128270-01890	1	21	128270-91350	71	13	128291-49020	40	1 A
128170-14150	23	4		2	19		89	12	128291-49250	43	7
	24	4	128270-03610	19	3	128270-91360	71	14	128370-13200	22	1
128170-49080	43	1	128270-03640	19	5		89	13		76	11
128170-49081	43	1 -1	128270-03750	19	4	128271-01330	1	33		93	3
128170-49150	41	6	128270-08341	15	2		2	30	128370-13201	22	1 -1
128170-51101	44	3	128270-09300	1	16		92	2		76	11 -1
128170-51300	44	7		16	1		93	2		93	3 -1
128170-53080	46	5	128270-11310	19	12		94	2	128370-13530	22	2
128170-66870	57	7		94	10	128271-01911	1	33 -1	128370-13610	76	8
128170-66880	57	8	128270-12500	20	1		2	30 -1	128371-01601	7	1
128170-66890	57	12	128270-12540	20	4		92	2 -1	128371-81050	67	4
128170-76790	61	1	128270-12700	20	5		93	2 -1		68	1
128170-77010	62	1	128270-13600	75	1		94	2 -1	128371-91000	89	1
	73	1	128270-13610	75	7	128271-08150	14	3	128371-91030	89	4
128170-77500	66	6	128270-13620	75	3	128271-08160	14	4	128374-81310	67	8
	90	1	128270-13650	75	8 -1	128271-21590	25	11	128374-81320	67	9
128170-86300	70	1	128270-14010	23	1	128271-49450	43	4	128374-81330	67	10
128170-86500	86	1		24	1	128271-77330	63	2	128391-77700	66	6 -1
128170-91001	87	1	128270-21651	25	9		64	2		88	38
128170-91010	87	2	128270-34800	29	1	128271-77340	63	5	128391-77860	71	18
128170-91020	87	3	128270-35090	30	1		64	5		87	21
128170-91031	87	4	128270-39200	32	1	128271-77920	66	1 -1	128391-91130	88	1
128170-91100	87	6	128270-42000	33	1	128271-77921	66	1 -2	128391-91200	88	2



## Parts No. Index

Parts No.	Fig. No.	Ref. No.
177088-06170	98	13
177088-06340	112	2
177088-06350	103	3
177088-06360	103	9
	112	6
177088-06370	103	10
	112	7
177088-06380	103	13
	112	8
177088-06390	103	4
	112	9
177088-06400	103	1
	112	10
177088-06410	103	6
	112	11
177088-09010	99	1
	104	1
	113	2
177088-09020	99	2
	104	2
	113	3
177088-09030	99	3
	104	3
	113	4
177088-09040	99	4
	104	4
	113	5
177088-09050	99	5
	104	5
	113	6
177088-09060	99	6
	104	6
	113	7
177088-09070	99	7
	104	7
	113	8
177088-09080	99	8
	104	8
	113	9
177088-09090	99	9
	104	9
177088-09150	99	14
	104	14
	113	15
177088-09160	99	15
177090-02250	95	9
177095-03190	98	4
177095-06040	98	1
196311-34250	86	2
196322-06610	103	11

Parts No.	Fig. No.	Ref. No.
196322-06610	112	4
22117-050000	44	32
22117-060000	20	6
	58	7
	98	19
22117-080000	51	15
22137-060000	40	9
	103	7
	112	12
22137-100000	17	14
	18	14
22212-050000	70	6
22217-050000	9	8
	44	33
	71	11
	87	9
		13
	89	10
22217-060000	35	17
	58	8
22217-080000	21	3
	22	3
	41	9
	62	3
	75	10
22242-000100	54	21
	59	7
	60	7
22242-000120	55	6
22242-000140	17	33
	18	31
22242-000150	34	11
22252-000300	33	16
22252-000350	34	12
22287-100000	106	10
22287-100160	106	11
22312-030220	19	6
22312-040080	54	22
22312-080160	1	10
	2	10
	25	4
22312-100160	95	5
	100	5
	105	9
22322-030160	58	9
22322-030200	54	10
22351-020012	103	12
	112	5
22351-030012	54	11
22351-040008	54	23

Parts No.	Fig. No.	Ref. No.
22351-060012	1	5
	2	5
22360-080000	59	9 -1
	60	9 -1
22414-160120	99	12
	104	12
	113	12
22414-250150	59	9
	60	9
22451-100000	57	9
22487-060240	99	11
	104	11
	113	13
22512-070180	25	5
		6
22512-070300	23	7
	24	7
22724-800380	38	5
	65	2
	79	5
23000-022000	38	3
	39	4
	43	2
		2 -1
	75	11
23000-025000	40	7
	43	3
	76	7
	79	3
23000-041000	40	8
23010-013000	37	4
23010-014000	80	7
23061-070200	1	31
	2	28
23061-070300	36	28
		30
23080-013000	9	5
23080-018000	77	3
23341-060000	51	9
	52	9
23414-050000	36	8
23414-060000	57	10
23414-080000	1	28
		28 -1
		30
	2	25
		25 -1
		27
	32	5
	45	5

Parts No.	Fig. No.	Ref. No.
23414-080000	51	16
	52	15
	53	6
	94	19
23414-080012	47	10
	48	10
23414-100000	32	6
	94	20
	95	16
	98	8
	100	16
	105	10
	106	12
23414-120000	51	17
		18
	52	16
		16 -1
		17
	94	21
23414-160021	95	11
23414-250000	16	7
	17	25
	94	22
23418-060000	47	8
	48	8
23857-060000	51	19
	52	18
23871-020000	35	12
23871-030000	17	5
	18	5
	35	9
		13
23873-020000	1	12
	2	12
23873-030000	42	5
23883-100002	95	15
	98	7
23887-100002	100	15
	105	11
	106	13
23887-180002	6	3
	7	3
24101-062054	23	8
	24	8
24101-063050	3	14
	4	14
24107-062004	33	17
24107-062024	34	7
24141-302050	109	17
24141-320090	110	4

## Parts No. Index

Parts No.	Fig. No.	Ref. No.
24164-000202	106	14
24190-080001	19	8
24190-110001	17	30
	18	28
24311-000070	19	7
	58	10
24311-000090	55	7
24311-000100	1	8
	2	8
	94	23
24311-000120	19	14
24311-000160	36	6
	94	24
24311-000180	97	13
	100	11
	102	13
	105	12
24311-000700	36	20
	94	25
24321-000350	19	11
	94	26
24321-000400	100	3
	105	13
	110	5
24341-000120	96	9
	101	9
	108	5
24341-000260	17	49
	18	47
24341-000440	47	6
	48	6
24341-000600	95	3
24341-000750	106	15
		16
24421-284008	100	14
	105	14
24421-456209	106	17
24421-557209	106	18
26013-060142	20	7
26013-060162	45	6
	47	12
	48	11
26013-060222	28	11 -1
26013-060252	47	13
26013-080142	67	5
	68	2
26013-080202	8	6
26013-080252	100	4
	105	15
26013-100252	7	2

Parts No.	Fig. No.	Ref. No.
26013-120302	13	4
	14	5
26014-060202	5	3 -1
26016-080202	95	4
26016-080252	95	8
	100	8
	105	16
	106	19
		20
26016-080352	111	6
26033-050102	44	34 -1
26103-100252	13	5
26106-060102	35	19
	59	10
	60	10
26106-060122	3	19
	4	19
	49	5
	59	11
	60	11
26106-060142	3	20
	4	20
	36	17
	70	2
26106-060162	5	3
26106-060182	36	26 A
	41	8
26106-060202	28	11
26106-060252	9	3
26106-060282	54	24
26106-060322	35	14
26106-080122	18	21
	33	23
	34	23
26106-080142	1	27
	2	24
	18	22
	66	5
26106-080162	47	14
26106-080182	20	8
26106-080202	36	23
26106-080252	18	23
	98	2
	103	2
	112	13
26106-080302	3	7
	4	7
	17	21
	42	6
	63	4

Parts No.	Fig. No.	Ref. No.
26106-080302	64	4
26106-080352	36	24
26106-080452	67	6
		6 -2
26106-080652	42	7
	67	6 -1
26106-080852	3	8
	4	8
	36	32
26106-080902	3	9
	4	9
	35	18
26106-081102	35	20
26106-081152	3	10
		11
	4	10
		11
26106-100162	63	7
	64	7
26106-100252	6	2
	13	5 -1
	14	6
	106	21
		23
26106-100302	62	4
26106-100322	69	4
	82	4
	83	2 -1
	84	2
	85	2
26106-100352	83	2
26115-080202	21	4
	22	4
26116-080402	76	9
26116-080602	41	5
	76	10
26203-080202	22	4 -1
26203-080402	76	9 -1
26203-080602	76	10 -1
26206-100302	110	7
26213-080222	75	12
26213-080702	75	8
26216-060182	36	11
26216-080222	3	3 -1
26216-080652	17	15
	18	15
26216-080852	36	33
26347-080002	33	18
	34	5
26366-060002	19	9

Parts No.	Fig. No.	Ref. No.
26366-060002	36	12
	59	12
26366-080002	3	4
	4	4
	17	16
	18	16
	36	34
	55	8
	63	6
	64	6
26450-050102	23	11
26450-080202	106	22
26450-080282	85	3
26450-080302	110	8
26554-040062	33	19
26554-040082	33	20
	34	15
26554-040102	34	20
26554-050102	36	7
26557-050102	9	7
26557-050122	58	11
	59	13
	60	12
	70	5
26557-060102	3	16
	4	16
26587-050102	44	34
26587-080122	23	9
	24	9
26646-040352	99	13
	104	13
	113	14
26696-100002	17	13
	18	13
26703-080002	75	13
26706-100002	69	5
	82	5
	83	3
	84	3
	85	4
	110	9
26713-080002	75	13 -1
26716-050002	71	10
	87	8
		12
	89	9
26716-060002	58	12
	98	20
	103	8
	112	14

## Parts No. Index

Parts No.	Fig. No.	Ref. No.
26716-160002	91	16
26736-100002	99	10
	104	10
	113	11
26756-050002	58	13
26756-060002	56	3
	57	11
26756-080002	17	40
	18	38
	62	5
	69	3
	82	3
26776-120002	11	2
	12	4 -1
26776-180002	25	10
26911-100102	98	6
26921-080102	17	34
	18	32
27210-200300	1	18
	16	3
		6
	17	24
	92	20
27233-250000	75	4
	76	4
27243-300000	1	11
	2	11
28110-100130	72	3
28110-120140	72	4
28110-170190	72	5
28110-220240	72	6
28110-270300	91	18
28150-040000	91	19
28150-050000	91	20
28210-000031	91	21
28210-000070	91	22
28210-000080	77	1
28312-150750	91	23
28312-200750	91	23 -1
41710-000380	86	3
41710-000410	59	2
	60	2
	70	3
41730-000680	86	2 -1
42222-003550	10	10
		11
43400-500390	51	14
	52	14
	94	27
43400-500450	57	13

Parts No.	Fig. No.	Ref. No.
43400-500450	94	28
43662-010030	38	1
43662-015020	79	1
43666-020951	38	4
	79	4
45414-500260	84	1
46150-001110	71	6
	87	5
		7
	89	6
46150-003680	66	2
	92	21
	93	21
48110-025063	69	1 -1
	82	6
48110-028063	69	1
	82	1
48110-032411	69	2
	82	2
	84	4
704507-92100	72	1
705311-22500	26	3
	92	4
	93	5
705311-23600	27	5
705325-22540	26	12
711100-51540	44	19
720445-44200	37	1
721450-02500	8	1
721450-02612	8	8
721500-61560	54	6
721575-42500	34	4
724085-11650	17	35
	18	33
724085-21701	25	1
724550-51520	44	18
728170-53100	46	1
728171-23100	27	1
728270-01610	3	1
	4	1
728270-11520	19	1
728270-92400	91	1
728271-01560	1	1
	2	1
728271-51100	44	1
728271-51101	44	1 -1
728271-92500	92	1
728271-92600	94	1
728272-11700	17	1
	18	1

Parts No.	Fig. No.	Ref. No.
728290-44501	36	1
728291-92500	93	1
728695-43500	35	10
771016-61620	54	2 -1
83213-003012	80	1
947859-20010	78	12
977782-00122	78	1
X211413005	73	8
X211415006	73	14
X21142835	73	21
X21143215	73	6
X211433101	73	10
X21144454	73	13
X211447009	73	19
X211451005	73	2
X21145312	73	7
X21145314	73	12
X21145352	73	9
X21145661	73	16
X21145866	73	22
X211462101	73	5
X21146963	73	17
X21147155	73	4
X211476503	73	15
X21148110	73	3
X21148313	73	11
X21148852	73	20
X21149652	73	18
X6201SD	74	3
X6203BM	74	16
XBP1901300	78	3
XBP1901820	78	7
XBP1901830	78	8
XBP1901910	78	9
XBP1901920	78	10
XBP1901950	78	11
XBP1902200	78	2 -1
XBP1902400	78	4
XBP1902810	78	6
XBP1905500	78	5
XBP2901200	78	2
XL12013262	74	9
XL13513134	74	12
XL15014042	74	15
XL15018015	74	18
XL1501810	74	19
XL15028001	74	20
XL15542001	74	4
XL15553002	74	5
XL1556315	74	7

Parts No.	Fig. No.	Ref. No.
XL15571001	74	2
XL1557500	74	17 -1
XL2251318	74	11
XL2253320	74	13
XL2253400	74	14
XL22553012	74	6
XL2255330	74	8
XL22555001	74	17
XTR1Z63	74	10