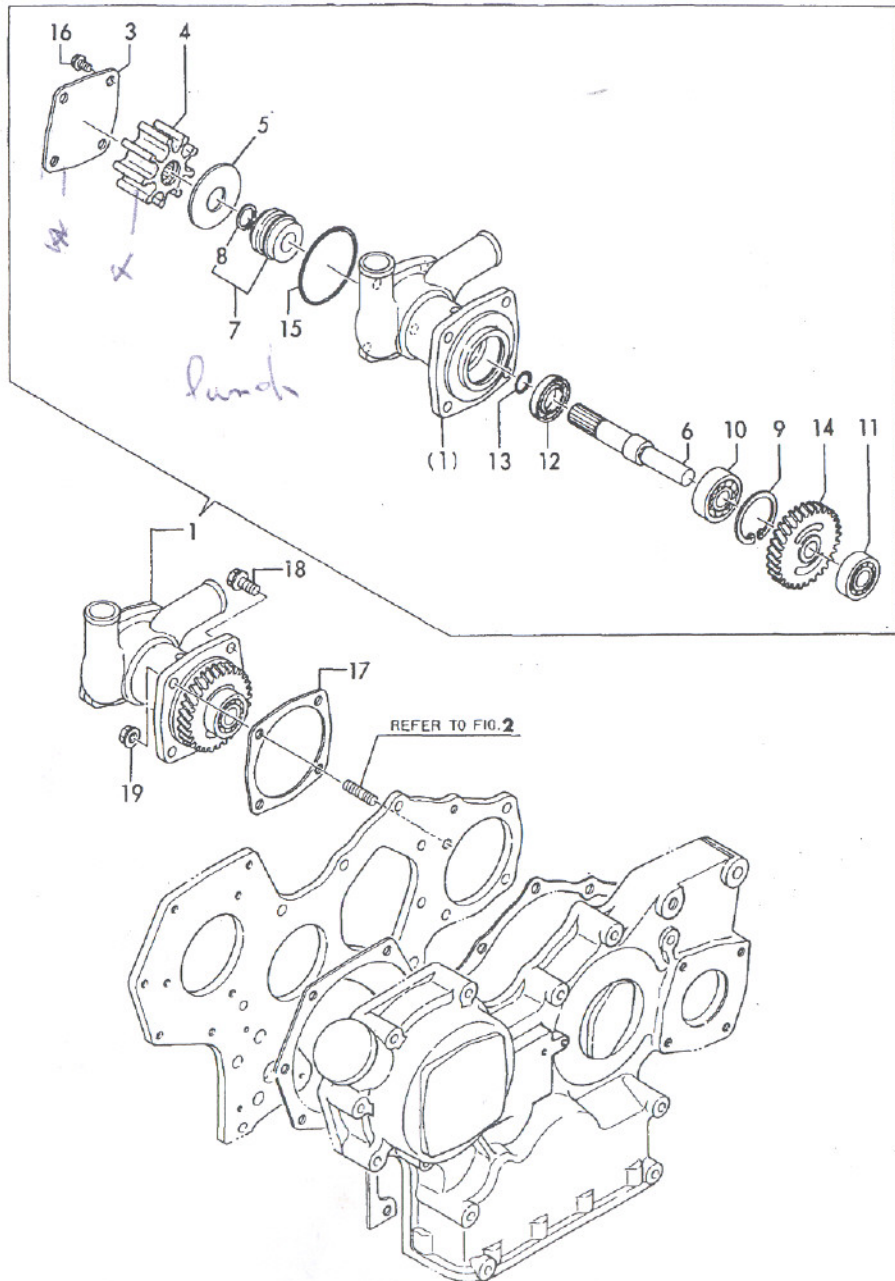


Fig.22.COOLING SEA WATER PUMP

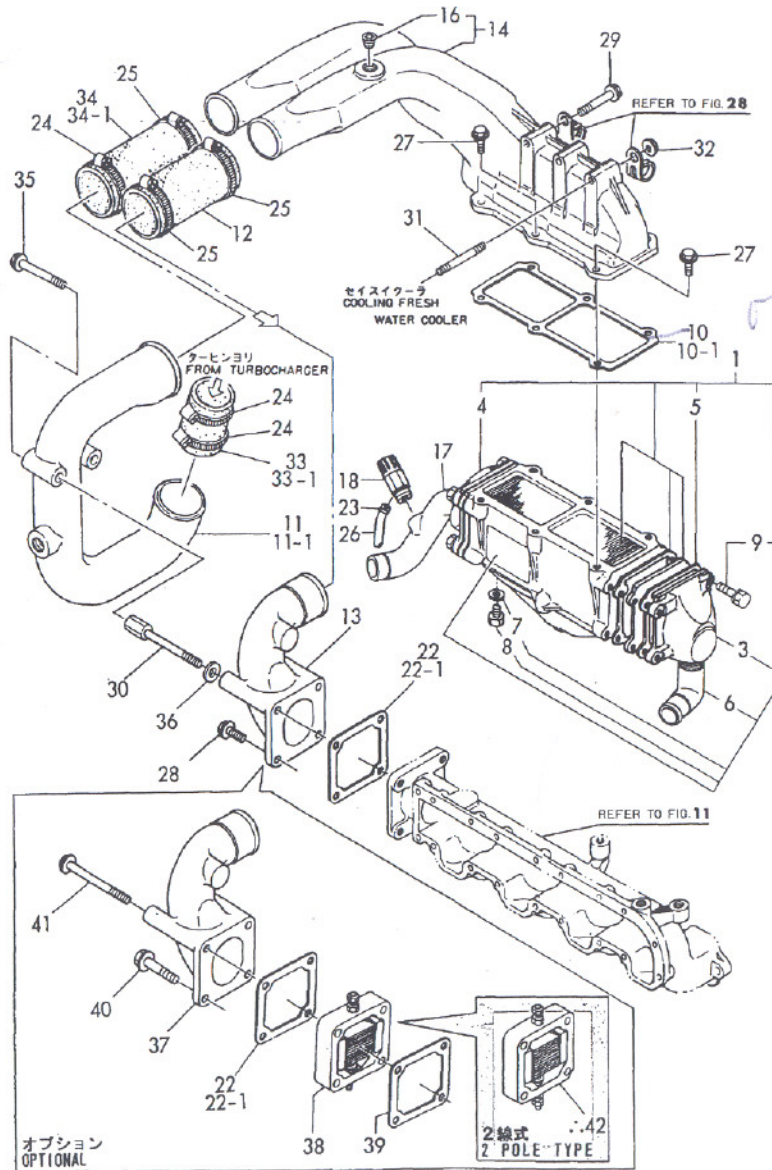
Fig. **22** カイスイポンプ  
COOLING SEA WATER PUMP



(A)=4JH2E (D)=4J  
(B)=4JH2-TE (E)=4J  
(C)=4JH2-HTE (F)=

REF.	LEV.	PARTS NO.	DESCRIPTION	QTY		
				(A)	(B)	(C)
1	1	129573-42500	PUMP ASSY.	1	1	1
3	2	129470-42520	COVER	1	1	1
4	2	129470-42530	IMPELLER	1	1	1
5	2	129573-42540	PLATE	1	1	1
6	2	129470-42550	SHAFT	1	1	1
7	2	129795-42670	SEAL	1	1	1
8	3	145410-46190	CIRCLIP	1	1	1
9	2	22252-000420	CIRCLIP 42	1	1	1
10	2	24101-063024	BALL BEARING	1	1	1
11	2	24101-062024	BALL BEARING	1	1	1
12	2	24421-203508	SEAL TC20 35 08, OIL	1	1	1
13	2	24311-000150	O-RING 1A P-15.0	1	1	1
14	2	129470-42700	GEAR	1	1	1
15	2	24341-000600	O-RING 1A S-60.0	1	1	1
16	2	26203-060102	BOLT M 6X 10	4	4	4
17	1	129150-01880	GASKET, HO-P			
17-1	1	129470-01880	GASKET	1	1	1
			(D=E31928)			
I 17-2	1	129150-01881	GASKET, (NON ASB.)	1	1	1
		(A=*1991.01) (B=*1991.01) (C=*1991.01) (D=*1991.01) (E=*1991.01)				
18	1	26106-080162	BOLT M 8X 16 PLATED	3	3	3
19	1	26366-080002	NUT M 8	1	1	1

Fig.16.AIR COOLER(4JH2-DTE,UTE)

Fig. 16 インタークーラ(4JH2-DTE, UTE)  
AIR COOLER(A)=4JH2E  
(B)=4JH2-TE  
(C)=4JH2-HTE(D)=4J  
(E)=4J  
(F)=

REF.	LEV.	PARTS NO.	DESCRIPTION	QTY		
				(A)	(B)	(C)
1	1	129473-18101	AIR COOLER ASSY			
3	2	129474-18220	TANK			
4	2	129474-18230	TANK			
5	2	129474-18241	GASKET			
6	2	123325-49490	ELBOW			
7	2	23414-130000	GASKET 13, ROUND			
8	2	23894-020002	PLUG PF1/4			
9	2	26013-080302	BOLT M 8X 30			
10	1	129474-18120	GASKET			
10-1	1	129573-18120	GASKET			(D=E31928)
11	1	129595-18130	DUCT, AIR			
11-1	1	129595-18131	DUCT, AIR			(D=E31951)
12	1	129474-18140	HOSE, RUBBER			
13	1	129474-18150	BEND			
14	1	129474-18180	DUCT ASSY, AIR			
16	2	23871-010000	PLUG PT1/8, SCREW			
17	1	129474-49020	BEND			
18	1	120130-49350	COCK 1/4			
22	1	129150-77510	GASKET, AIR HEATER			
22-1	1	129470-77590	GASKET, (NON-ASB.)			(D=E31928)
23	1	124480-77680	RETAINER			
24	1	23000-060000	CLAMP 60			
25	1	23000-070000	CLAMP 70			
26	1	23061-070300	PIPE 7X 300			
27	1	26106-080202	BOLT M 8X 20 PLATED			
28	1	26106-080202	BOLT M 8X 20 PLATED			
29	1	26106-080502	BOLT M 8X 50 PLATED			
30	1	129595-18160	SPACER BOLT			
31	1	26226-080502	STUD M 8X 50 PLATED			
32	1	26366-080002	NUT M 8			
33	1	129595-18140	HOSE, RUBBER			
33-1	1	129595-18141	HOSE, RUBBER			(D=E31951)
34	1	129595-18150	HOSE, RUBBER			
34-1	1	129595-18151	HOSE, RUBBER			(D=E31951)
35	1	26106-080802	BOLT M 8X 80 PLATED			
36	1	22137-080000	WASHER 8, POLISHED			
37	1	129474-18170	BEND			
38	1	129100-77500	HEATER, AIR			
39	1	129100-77510	GASKET, AIR HEATER			
40	1	26106-080402	BOLT M 8X 40 PLATED			
41	1	26106-080952	BOLT M 8X 95 PLATED			
42	1	129400-77501	AIR HEATER			(D=E34965) (E=E40923)

## Remarks

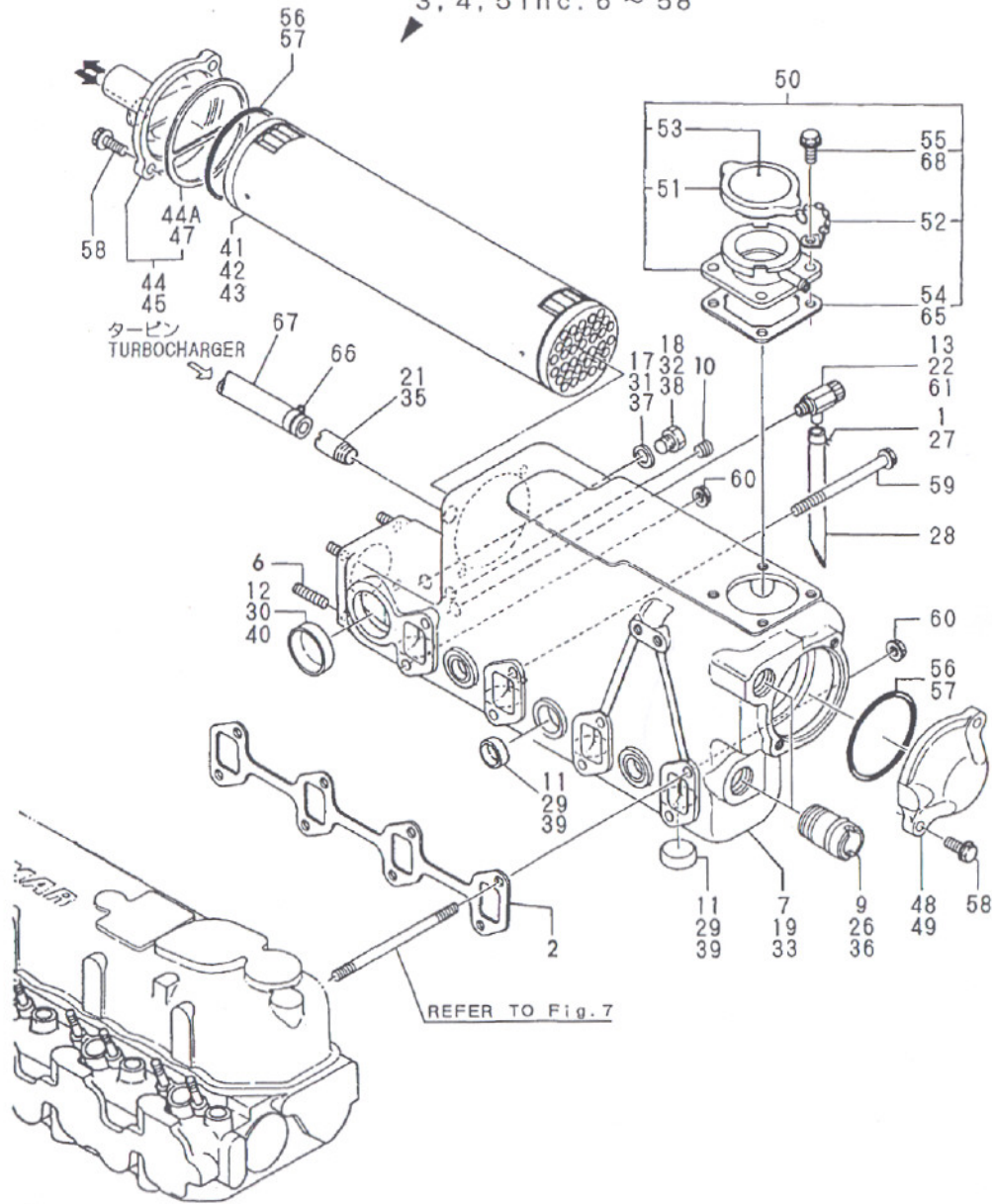
- (1) INTERCHANGEABLE BY SIMULTANEOUS  
REPLACEMENT WITH REF.33-1 & 34-1.



Fig.24.COOLING FRESH WATER COOLER

Fig. 24 清水クーラ  
C. F. W. COOLER

見出しNo. 3, 4, 5は、見出しNo. 6から58を含みます。  
3, 4, 5 inc. 6 ~ 58



24.COOLING FRESH WATER COOLER

(A)=4JH2E  
(B)=4JH2-TE  
(C)=4JH2-HTE

(D)=4J  
(E)=4J  
(F)=

REF.	LEV.	PARTS NO.	DESCRIPTION	QTY		
				(A)	(B)	(C)
49	2	129573-44450	COVER(B)		1	1
50	2	120445-44600	FILLER	1	1	1
51	3	123682-44210	CAP	1	1	1
52	3	123682-44220	CHAIN	1	1	1
53	3	120445-44620	PLATE	1	1	1
54	3	120445-44640	GASKET	1	1	1
55	3	26106-080142	BOLT M 8X 14 PLATED	4	4	4
56	2	24321-000750	O-RING 1A G-75.0	2	2	
57	2	24321-000800	O-RING 1A G-80.0			2
58	2	26106-080252	BOLT M 8X 25 PLATED	4	4	4
59	1	26106-081002	BOLT M 8X100 PLATED	6	6	6
60	1	26366-080002	NUT M 8	2	2	2
61	1	43600-500310	COCK		1	1
65	1	120445-44640	GASKET	1	1	1
66	1	23010-017000	CLAMP 17		1	1
67	1	23061-120300	PIPE 12X 300	1	1	1
68	1	26106-080162	BOLT M 8X 16 PLATED	4	4	4