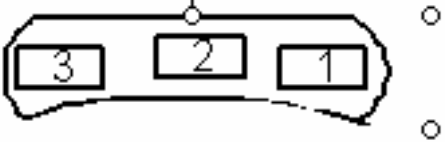

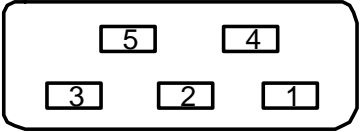

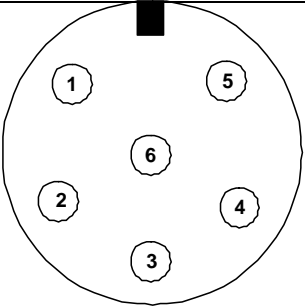



Raymarine SeaTalk Network Connection Cross Reference

Network	Socket Pin out	Connector	Wire Colour	Signal	ng Pin No.
SeaTalk1			1 Red 2 Black 3 Yellow	+12V 0V SeaTalk1	1 2 6
SeaTalk2			1 Red 2 Black 3 Shield 4 White 5 Blue	+12V 0V Drain Data - Data +	1 2 3 4 5
Seatalkng			1 Red +12V 2 Black 0V 3 Shield 4 White Data - 5 Blue Data + 6 SeaTalk1	+12V 0V Drain Data - Data + SeaTalk1	NA

By Bob Charlton