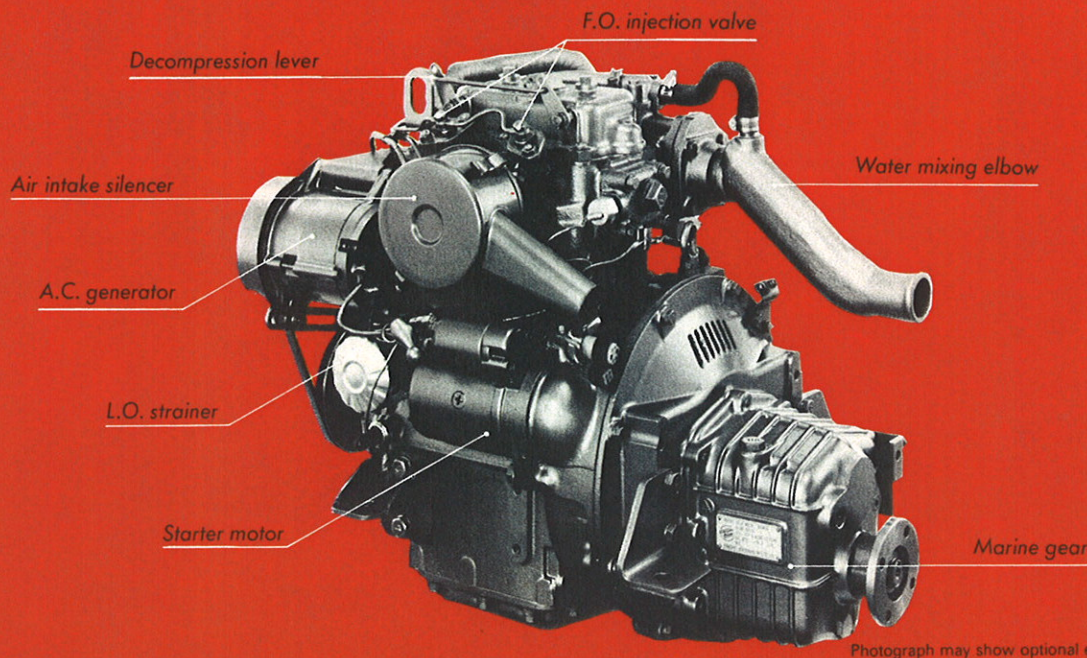


YANMAR DIESEL ENGINE For Marine Use

MODEL

2QM15

15 HP



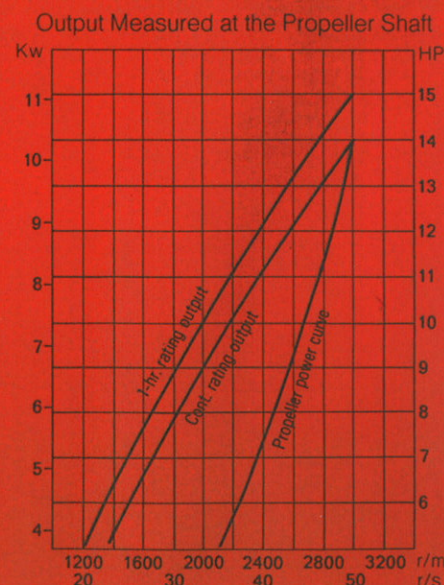
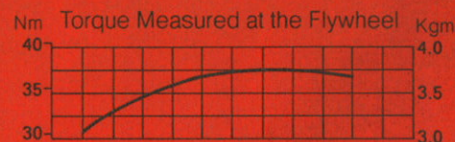
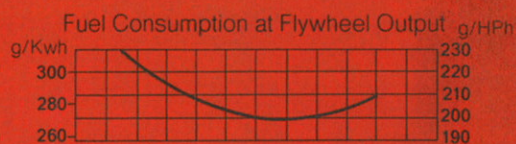
Photograph may show optional equipment.

SPECIFICATIONS

Model		2QM15	2QM15G
Type		4-cycle, vertical diesel engine	
No. of cylinders		2	
Bore × stroke	mm (inch)	75 (2.95) × 75 (2.95)	
Displacement	ℓ (cu.inch)	0.662 (40.39)	
DIN6270A rating	HP (kw)/rpm	14 (10.3)/3000	
DIN6270B rating	HP (kw)/rpm	15 (11)/3000	
Reduction ratio		2.14:1	2.83:1
Propeller shaft rpm		1400	1060
Direction of rotation	Crankshaft	Counter-clockwise, viewed from stern	
	Propeller shaft	Clockwise, viewed from stern	
Compression ratio		23:1	
Combustion system		Pre-combustion chamber	
Starting system		Electric with manual combination	
Cooling system		Direct sea water cooling with rotary pump	
Lubricating system		Forced lubrication with trochoid pump	
Marine gear		KBW10	
Dry weight	kg (lbs)	145 (320)	
Max. installation angle	Degrees	15	
Max. angle of operation aft trim	Degrees	20	
Port or starboard heel	Degrees	25	

Remark: Above mentioned HP indicates shaft horsepower.

PERFORMANCE CURVES



The Engine Flywheel Output is Approx. 4% Higher.

Note: These curves show the average performance of respective engines in test operation at our plant.

ACCESSORIES

Remark: ● for Standard ◆ for Optionals

Fuel	Fuel tank (20ℓ) with rubber hose 2-meter		◆
	Fuel strainer		●
	Fuel lift pump (Mechanical type)		●
Lubrication	L.O. strainer		●
	Evacuation pump		◆
	Pressure switch		●
Cooling	Water pump of rubber impeller type		●
	Temperature switch		●
	Thermostat for cooling water		●
	Kingston cock, hose & strainer		◆
Bilge	Pump with bilge hose & strainer (Mechanical tandem type)		◆
Air intake & exhaust	Air intake silencer		●
	Water cooled exhaust manifold		●
	Water mixing elbow with C.W. hose (L type)		◆
	Water mixing elbow with C.W. hose (U type)		◆
Starting	Hand starting device with starting handle (Starting shaft directly)		●
	Electric starting device	1.2kw Starter motor, 35A-A.C. generator & regulator	●
		1.2kw Starter motor, 55A-A.C. generator & regulator kit	◆
Remote control	Bracket for speed remote control cable		●
	Bracket for clutch remote control cable (Cable for stern side)		◆
	Bracket for clutch remote control cable (Cable for front side)		●
	Bracket & cable clamp for decompression		●
	Remote control cable for decompression (3-meter)		◆

Remote control	Engine stop device with idling adjuster		●
	Cable for engine stop device (3-meter)		◆
	Single lever control (Morse, MT type)		◆
	Push-pull cable (Morse, 33-C 4-meter), 2pcs		◆
	Cable clamp (2pcs) & ball joint		◆
Instrument & wiring	Dash board (Key switch, starter push-button switch, L.O. lamp, C.W. lamp, charge lamp, warning buzzer, and wireharness 3-meter)		●
	Tachometer and sending unit		◆
	Battery switch		◆
	Wireharness, extension (3-meter)		◆
	Wireharness, extension (6-meter)		◆
Installation	Flexible mounting (4 pcs as a unit)		◆
	Flexible mounting (4 pcs as a unit) (Adjustable type)		◆
	Flexible coupling		◆
	Propeller shaft half coupling (Tapered)		◆
	Propeller shaft half coupling (Slit 20mm under bored)		◆
	Propeller shaft half coupling (Slit one inch bored)		◆
	On board tools		●
	Overhauling tools		◆
Others	On board spare parts kit		◆
	Packing kit		◆
	Operation manual		●

RECOMMENDED REMOTE CONTROL CABLES

Speed control	Morse made: Morse made: Yanmar made:	Cable No.33-C Clamp A31804 Clevis for standard accessory
Clutch control	Morse made: Morse made: Morse made:	Cable No.33-C Clamp A31804 Ball joint A31126

EXPORT SHIPMENT

Model	No. of packings	Gross weight kg (lbs)	Cu. M (cft)
2QM15(G)	1	200 (441)	0.626 (17.6)

RECOMMENDED PROPELLER SIZE (MAX)

Model	2-blade type Dia × Pitch mm (inch)	3-blade type Dia × Pitch mm (inch)
2QM15	380 × 230 (15 × 9)	360 × 250 (14 × 10)
2QM15G	460 × 280 (18 × 11)	430 × 320 (17 × 12-1/2)

Note: All data subject to alteration without notice



YANMAR DIESEL ENGINE CO.,LTD.

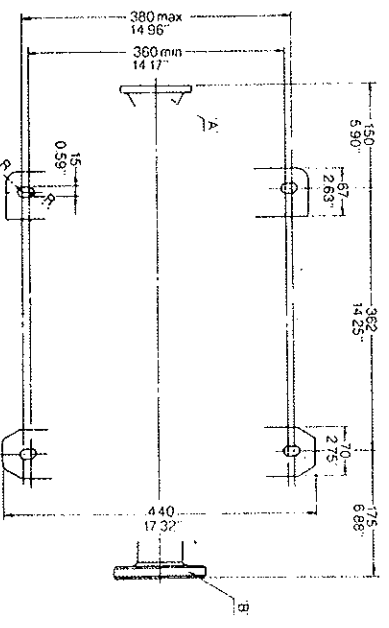
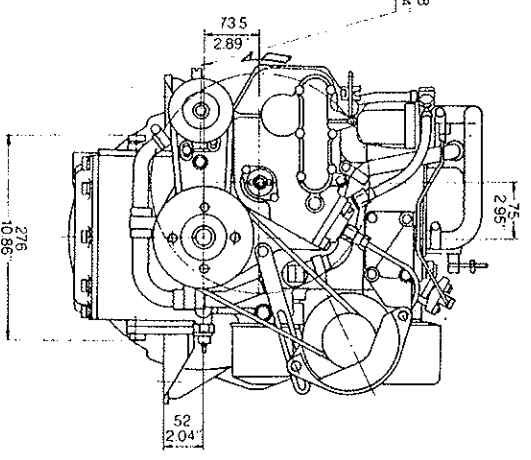
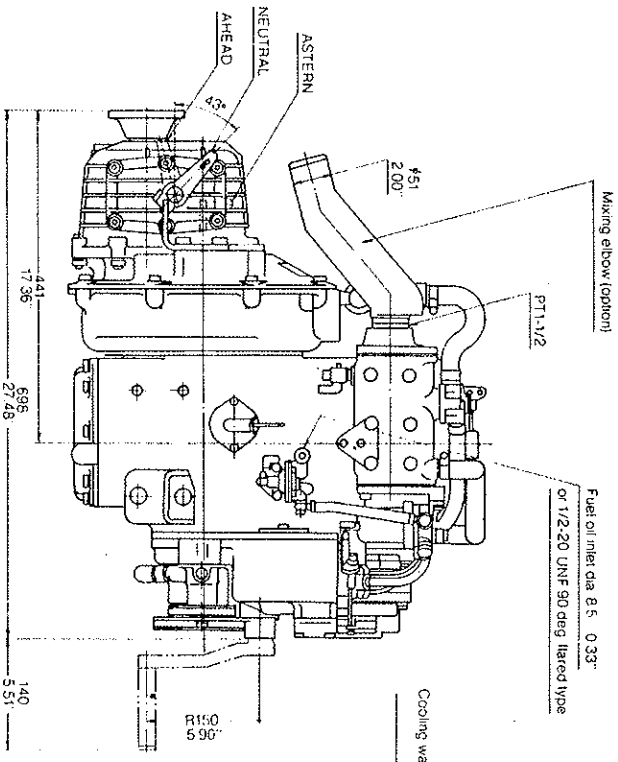
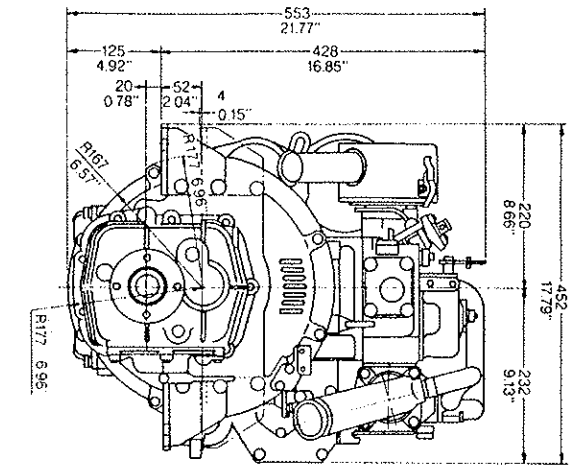
1-11-1, Marunouchi, Chiyoda-ku

Tokyo, Japan

Cable: YANMAR TOKYO

Telex: 0222-2310, 0222-4733

YANMAR DIESEL ENGINE OUTLINE



Unit = mm & inch

SPECIFICATIONS

Model	2QM15
Output	HP/rpm 15/3000
Dry weight	kg (lbs) 145 (320)

Note: All data subject to alteration without notice.

MODEL

2QM15

SCALE

1/10

YANMAR DIESEL ENGINE CO., LTD.
 1-11-1, Marunouchi, Chiyoda-ku, Tokyo, Japan
 Cable: YANMAR TOKYO Telex: 0222-2310, 0222-4733