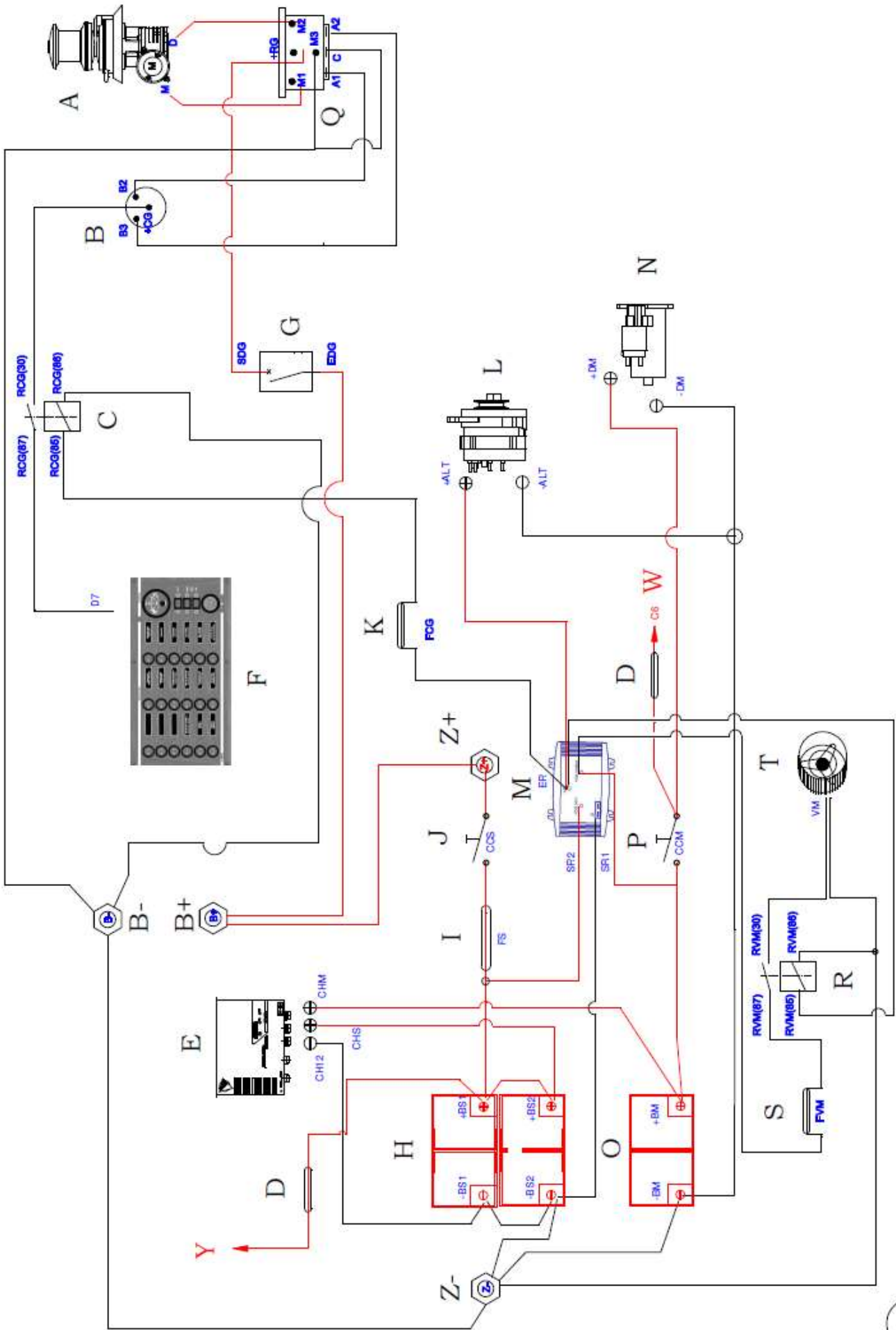


7. Charging and power system diagram

<i>Label</i>	<i>Description</i>
A	Windlass *
B	Windlass remote control *
C	Remote control relay *
D	8 A fuse
E	Battery charger *
F	12V distribution panel
G	Single-pole 70 A circuit breaker*
H	Auxiliary batteries (1 as std + 1 as option*)
I	125 A fuse (auxiliary)
J	House batteries switch
K	5 A fuse*
L	Alternator
M	Distributor
N	Starter
O	Engine battery
P	Engine battery isolator
Q	Windlass relay *
R	Bilge fan relay
S	5A fuse
T	Bilge fan
B-	-ve terminal (electrical panel)
B+	+ve terminal (electrical panel)
W	Battery test
Y	Panel for auto bilge pump option
Z-	-ve terminal (technical area)
Z+	+ve terminal (technical area)
*	Option



7