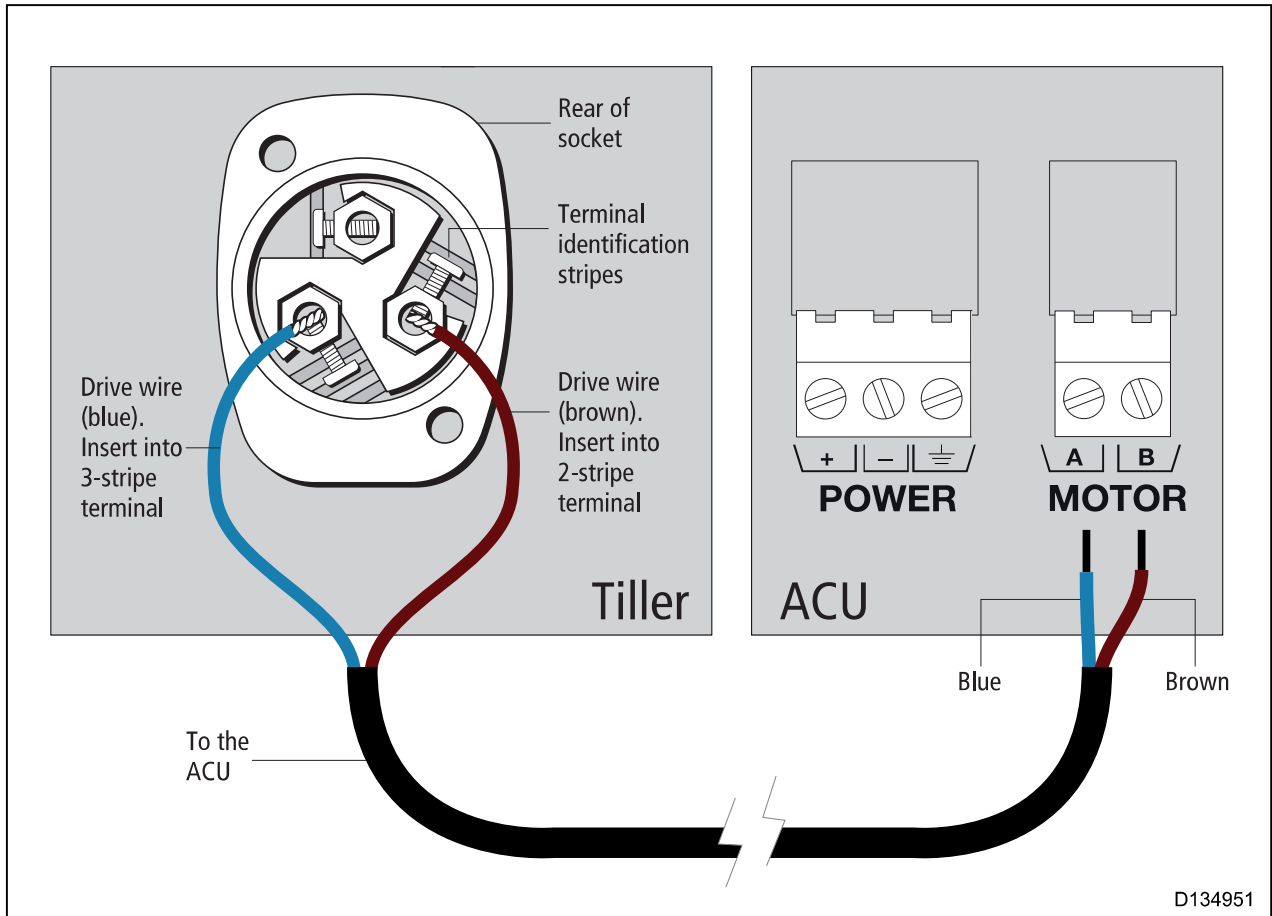


ACU (control unit) connection



- Connect the tiller drive to the control unit via the waterproof plug and socket (supplied).
- The plug comes ready assembled to the tiller drive.
- Mount the socket in the cockpit next to the tiller drive.

Cabling

1. Measure the total length of cable run from the control unit to the socket location.

Use this table to identify the appropriate power cable size:

Cable length	Copper area	AWG
Up to 2.5 m (8 ft)	1.0 mm ²	18
Up to 4.0 m (13 ft)	1.5 mm ²	16
Up to 6.0 m (22 ft)	2.5 mm ²	14

2. Route the cable from the control unit to the socket location.
3. Connect the wires as shown to the tiller socket.
4. Connect the wires as shown to the Motor terminals on the ACU control unit.

NOTE: You can use the autopilot control head to change the Motor phase:
MENU > Setup > Autopilot Calibration > Drive Settings > Motor Phasing