

# UW™ 100



## UW™ 100 underwater micro hydro turbine 100W continuous battery charging power in 4m/s (8kts) flow

**Powerful** - generates 2.4 kWh per day from 400mm deep fast flowing streams.

**Protected** - optional stainless steel propeller guard prevents fine rope, fishing line and debris from blocking the turbine.

**Applications** - designed for fast flows in fresh water or salt water.

**Robust** - alternator body is filled with oil for pressure equalisation and to reduce internal corrosion.

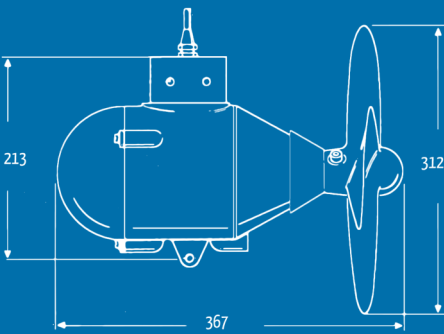
**Durable** - the stainless steel shaft is triple-sealed for optimum protection.

**Proven** - for 20 years and used worldwide

**Dependable** - will not burn out or overpower at any water speed.

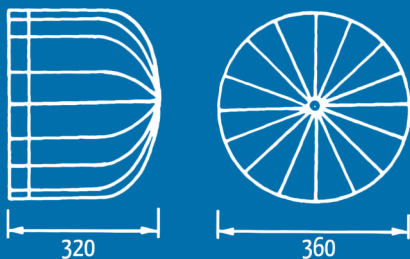


UW100 underwater turbine



Water Flow  
(reverse flow possible at reduced power)

UW100 propeller guard



### Key specifications

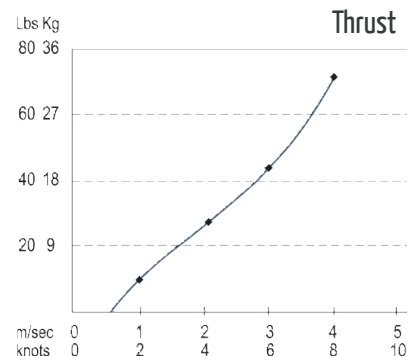
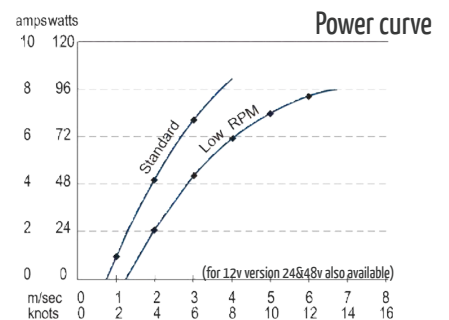
Max power rating	100 watt at 4 m/s waterspeed
Voltage options	12 , 24 or 48 V Dc
Output	2 phase AC - external rectifiers
Start-up waterspeed	1.5 m/s (2.9 knots)
Turbine diameter	312mm
Weight	10kg
Propellers	standard 1-4 m/s (2-8 kts) low RPM. 4-6 m/s (8-12 kts)

### Charge controller regulator

**Power Regulation** - The 100 series regulators give the owner options to add solar panels and charge up to three separate battery banks all from a box no bigger than a paperback book.

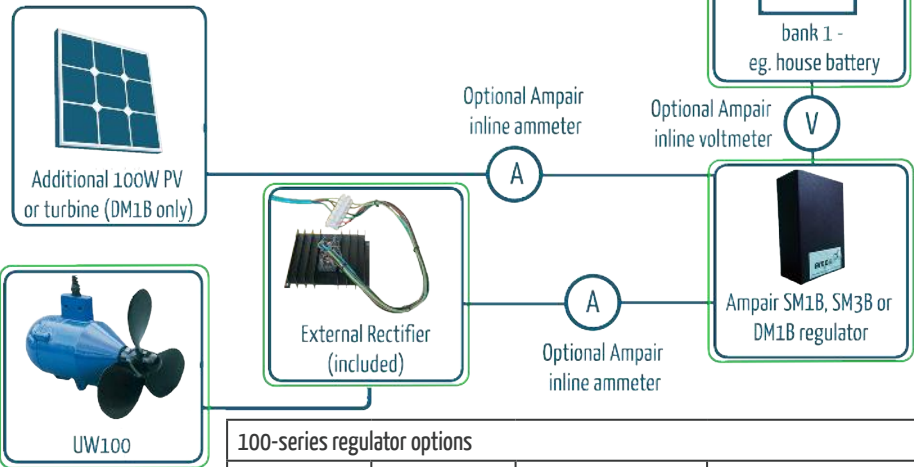
**Support** - The UW100 comes with a 2 year warranty as standard well as AmpairCare™ - your access to lifetime worldwide technical support.

### Performance



# UW™ 100

## Typical installation - UW100 available in 12V, 24V and 48V



100-series regulator options			
Code	Voltage	Inputs	Output
SM1B	12, 24, 48V	1 x 100 Watt	single battery bank
SM3B	12, 24V	1 x 100 Watt	up-to three separate battery banks
DM1B	12, 24V	2 x 100 Watt	single battery bank

## Installation options

**Standard** - shroud prevents fine rope, fishing line or debris from winding around shaft and damaging seals. Starts at 3 knots (1.5 m/s). Clockwise & counter clockwise propellers available.

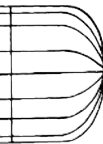
**Low RPM** - designed for very fast flows or high speed boats. Delays charging and reduces drag until greater waterspeeds are reached.

**Prop Guard** - the optional stainless prop guard protects against debris.

**Mounting and Protection** - because of the wide variety of locations mountings are normally fabricated locally. To assist we offer 48mm dia x 1.2m long mounting poles complete with cast socket to mate with the UW. Matched clamps are available for fresh water use. Zinc anodes are available for salt water.

**Food Grade Version** - the standard version is a cosmetic grade oil. A version of the UW100 is available for use in potable water systems such as reservoirs.

**Fixing Pole** - fabrications can be made of steel. Side plates or angle brackets can be made to suspend the UW from an overhead beam, wires or a sliding pole arrangement.



Ampair Energy Ltd  
 Milborne Business Centre  
 Milborne St Andrew  
 Dorset  
 DT11 0HZ  
 UK  
 Tel: +44 (0) 1258 837 266  
 Fax: +44 (0) 1258 837496  
 sales@ampair.com  
 www.ampair.com

